



US00D449581B1

(12) **United States Design Patent**
Bosatelli

(10) **Patent No.:** **US D449,581 S**

(45) **Date of Patent:** **** Oct. 23, 2001**

(54) **SOCKET**

(75) Inventor: **Domenico Bosatelli**, Cenate Sotto (IT)

(73) Assignee: **Gewiss S.p.A.**, Cenate Sotto (IT)

(**) Term: **14 Years**

(21) Appl. No.: **29/113,844**

(22) Filed: **Nov. 12, 1999**

(30) **Foreign Application Priority Data**

May 11, 1999 (IT) MI9900270

(51) **LOC (7) Cl.** **13-03**

(52) **U.S. Cl.** **D13/146**

(58) **Field of Search** D13/146, 147,
D13/154, 156; 439/142, 133, 318; 174/67;
220/242

(56) **References Cited**

U.S. PATENT DOCUMENTS

- D. 361,313 * 8/1995 Sai et al. D13/146
- D. 367,644 * 3/1996 Fukao et al. D13/146
- D. 374,212 * 10/1996 Fukao et al. D13/146
- D. 392,618 * 3/1998 Fukao et al. D13/146
- D. 399,187 * 10/1998 Kay D13/146
- 4,770,644 * 9/1988 Feder 439/166
- 4,772,215 * 9/1988 Falk 439/188

- 5,505,632 * 4/1996 Hayashi et al. 439/318
- 5,571,023 * 11/1996 Anthony 220/242 X
- 5,582,521 * 12/1996 Mori et al. 439/142
- 5,800,188 * 9/1998 Barber et al. 439/142

* cited by examiner

Primary Examiner—Joel Sincavage

(74) *Attorney, Agent, or Firm*—R. Neil Sudol; Henry D. Coleman; William J. Sapone

(57) **CLAIM**

The ornamental design for the socket, as shown and described.

DESCRIPTION

FIG. 1 is a bottom plan view of a socket, showing my new design with a closed cover;
 FIG. 2 is a front elevational thereof;
 FIG. 3 is a top, rear, and right side perspective view thereof;
 FIG. 4 is a top, front and left side perspective view thereof, showing the cover in an open position;
 FIG. 5 is a top, front, and right side perspective view thereof, showing the cover closed;
 FIG. 6 is a right side elevational view thereof;
 FIG. 7 is a top plan view thereof;
 FIG. 8 is a rear elevational view thereof; and,
 FIG. 9 is a left side elevational view thereof.

1 Claim, 9 Drawing Sheets

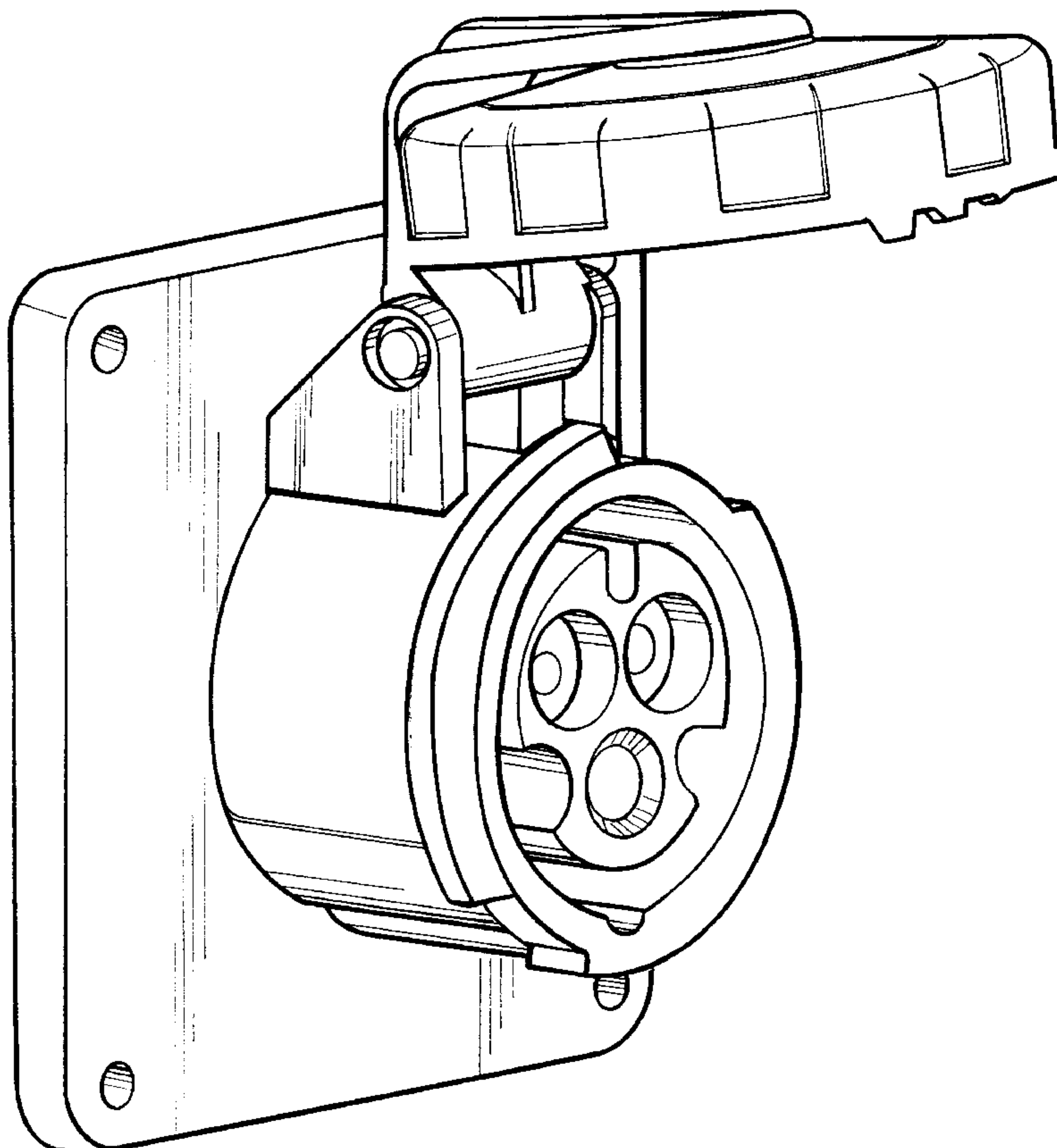
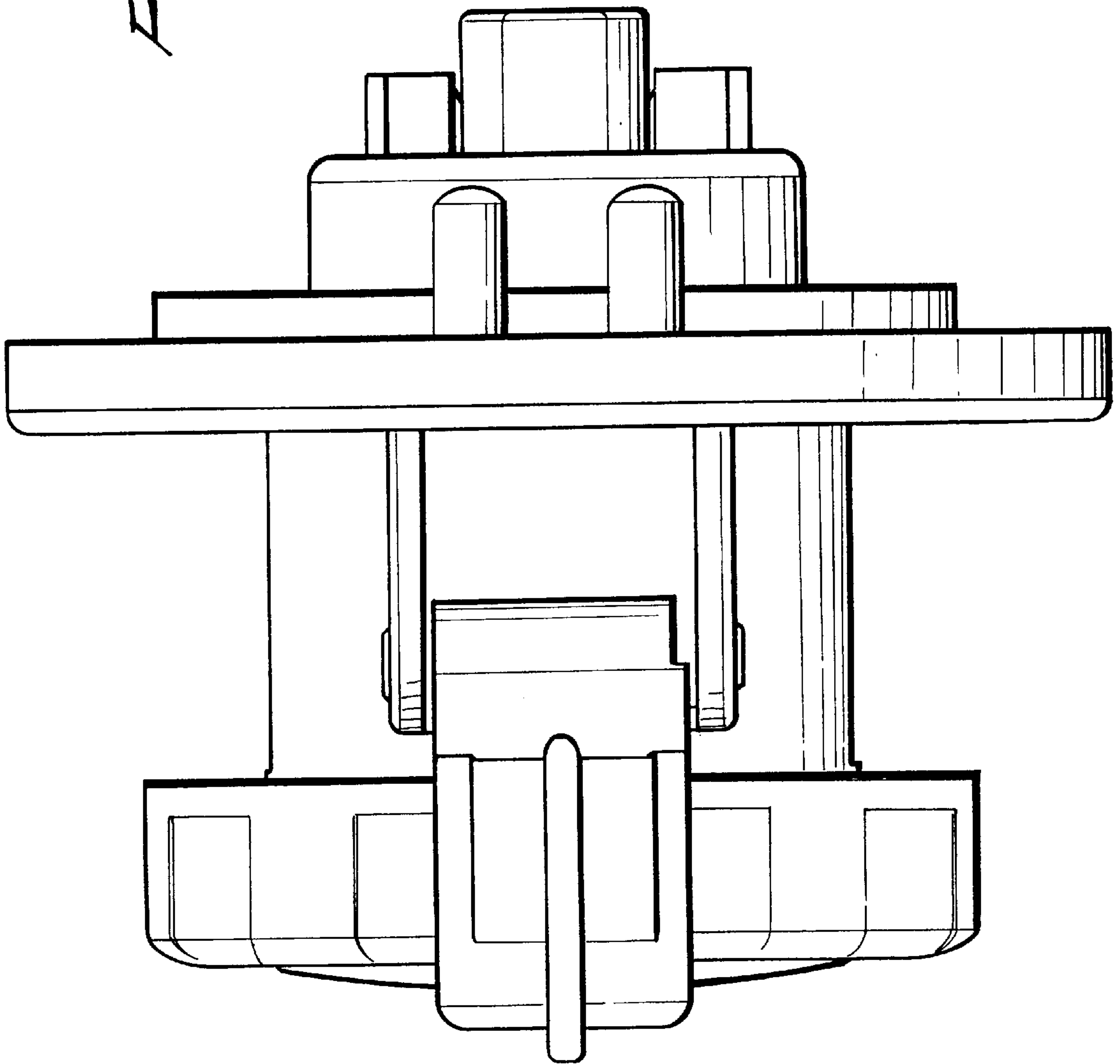


FIG. 1



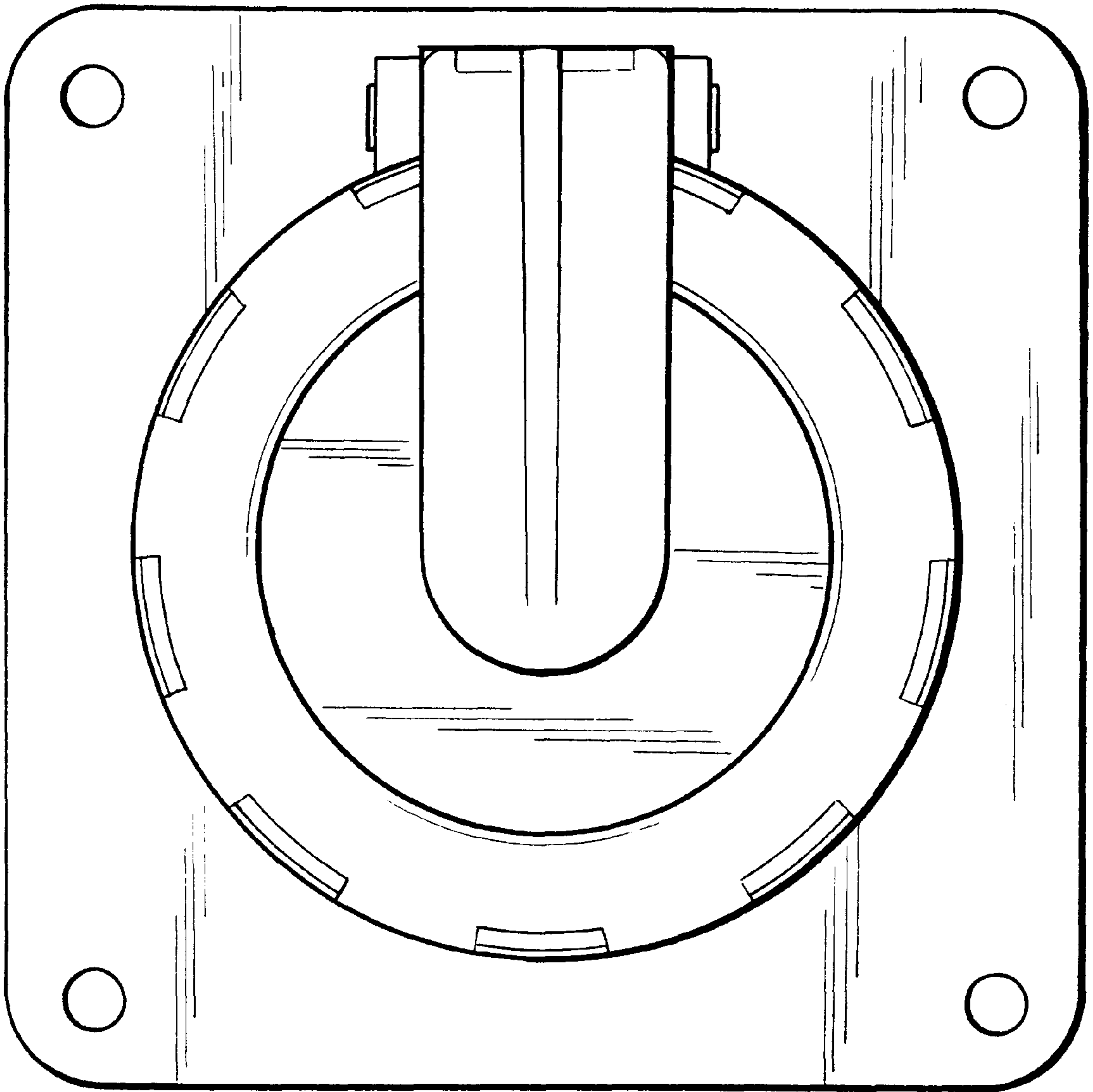


FIG. 2

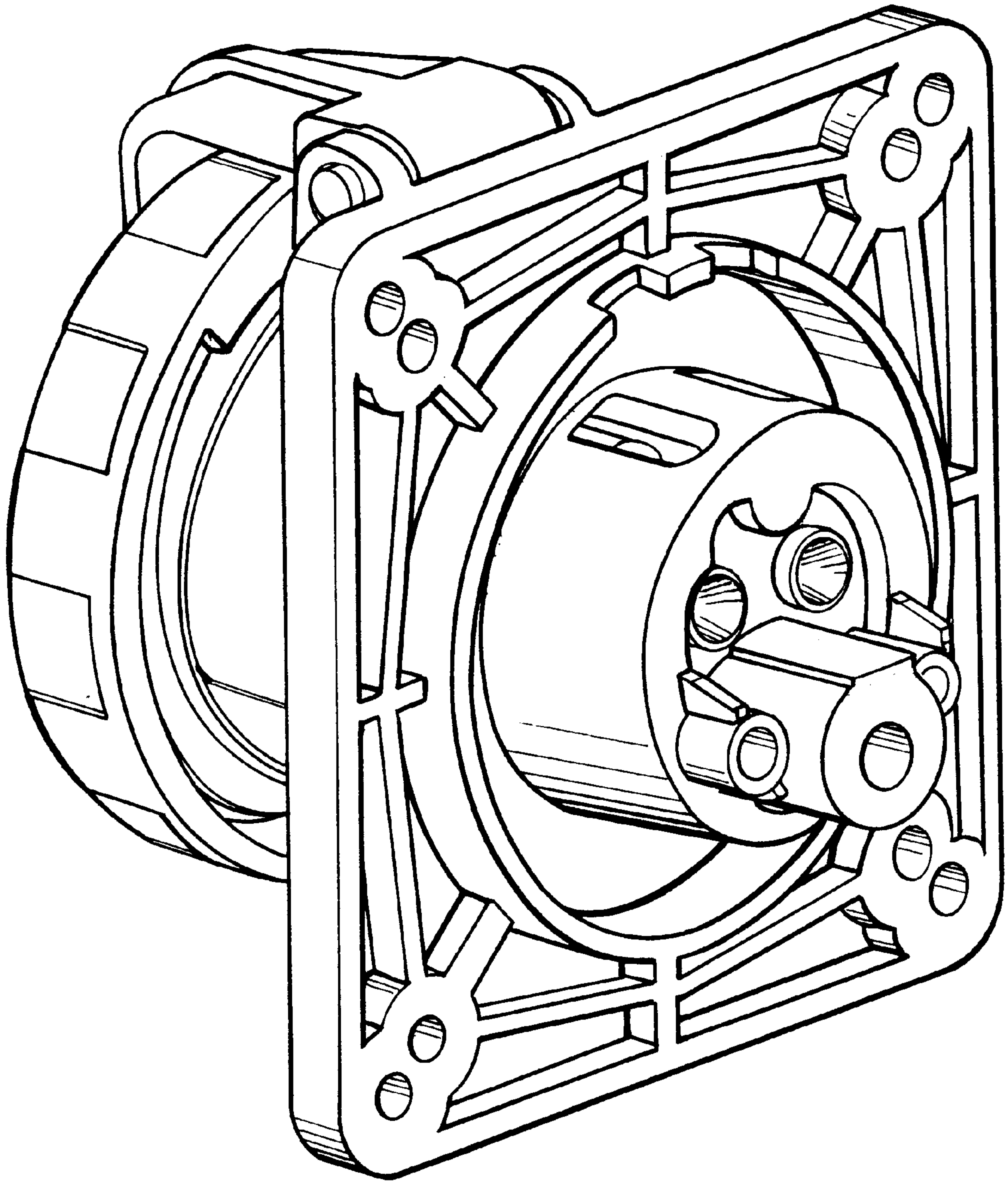


FIG. 3

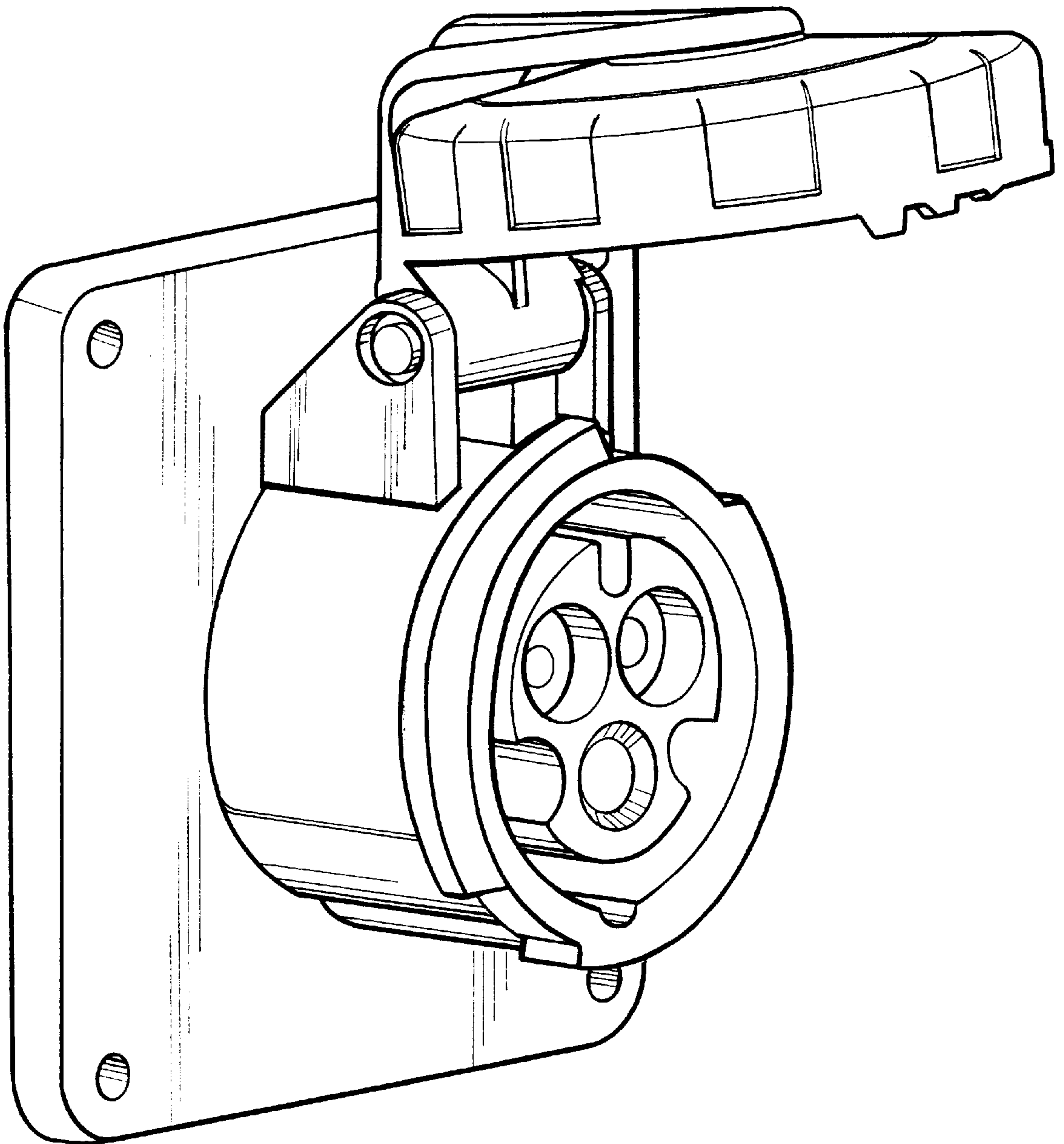


FIG. 4

FIG. 5

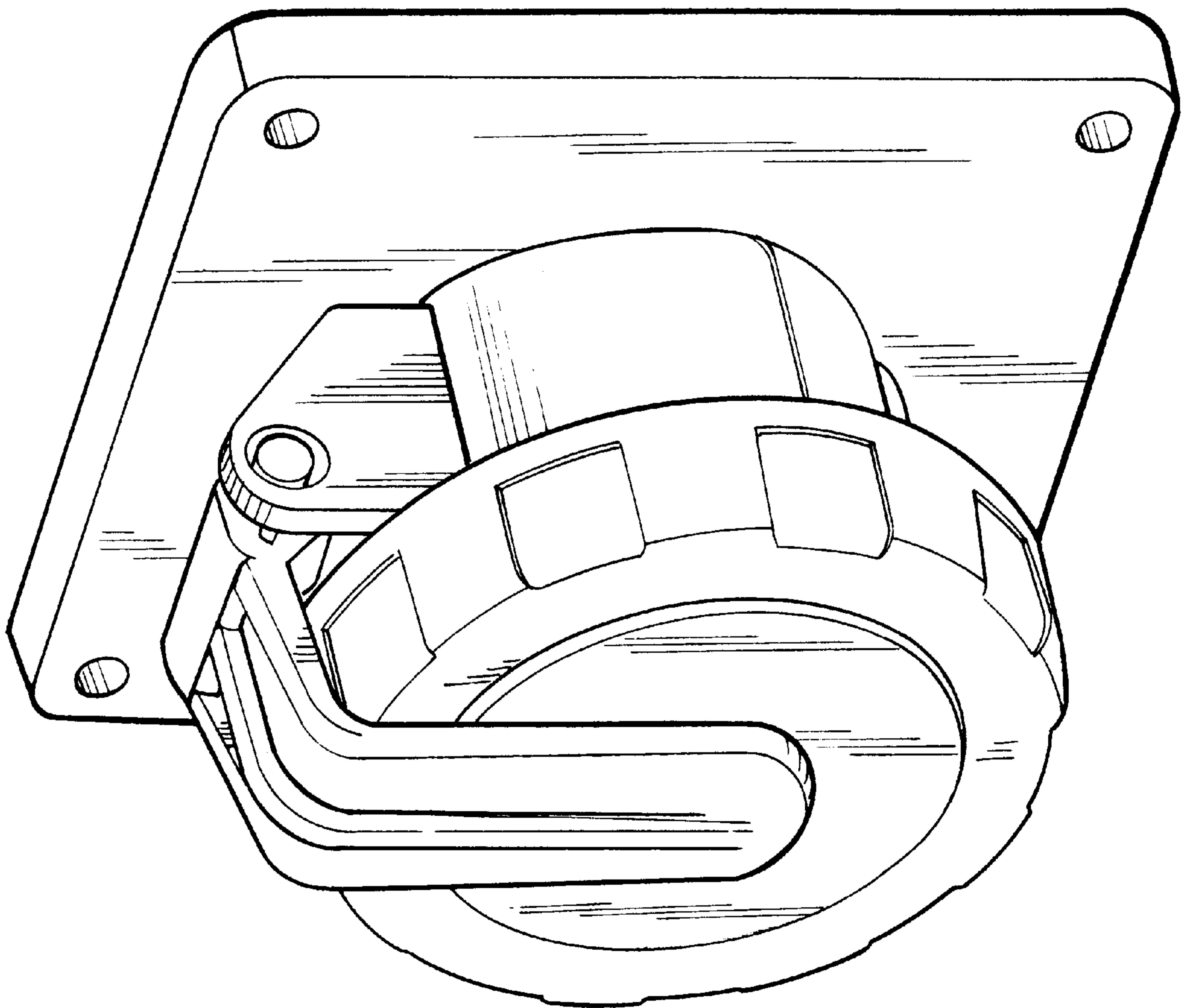
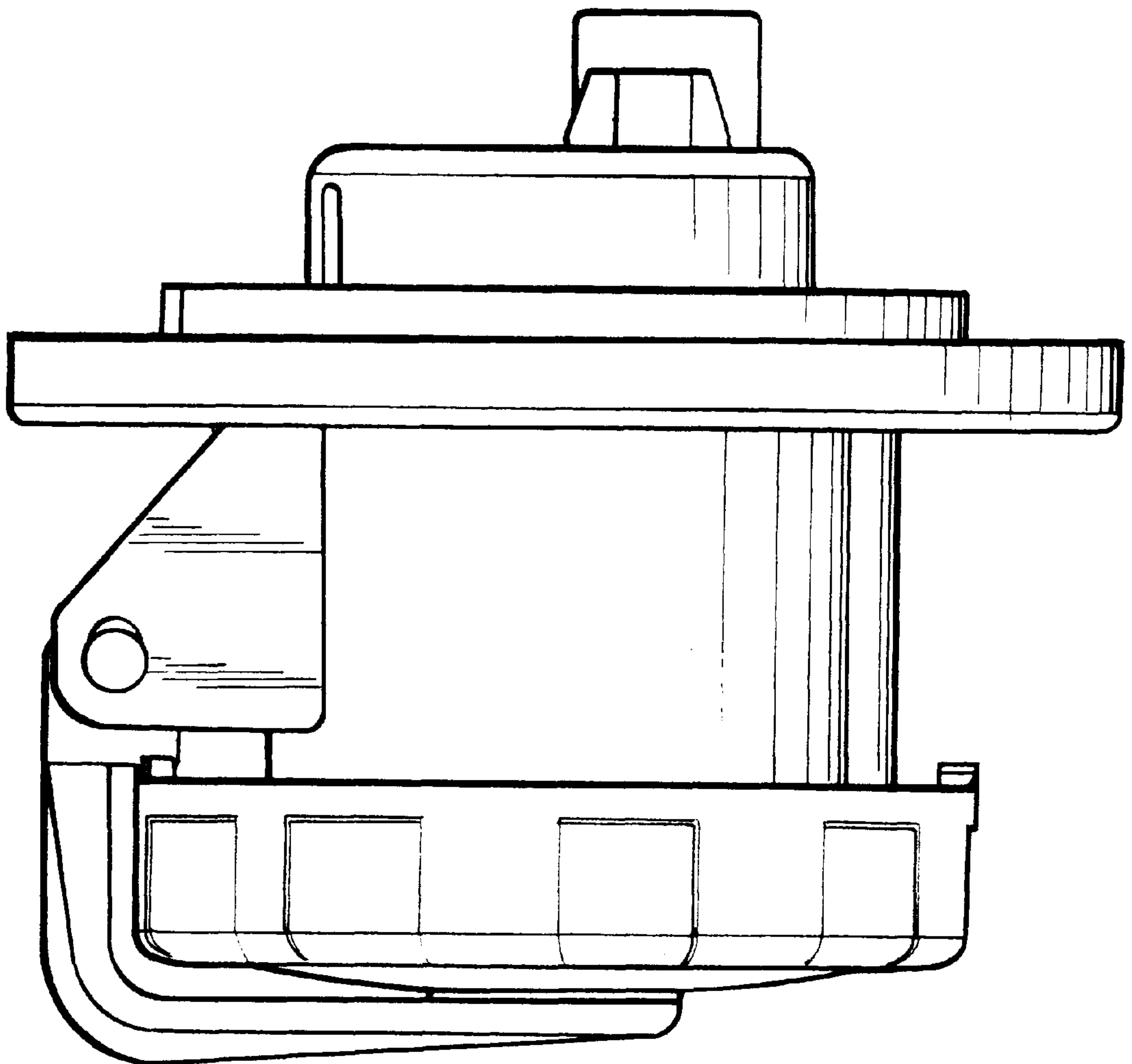


FIG. 6



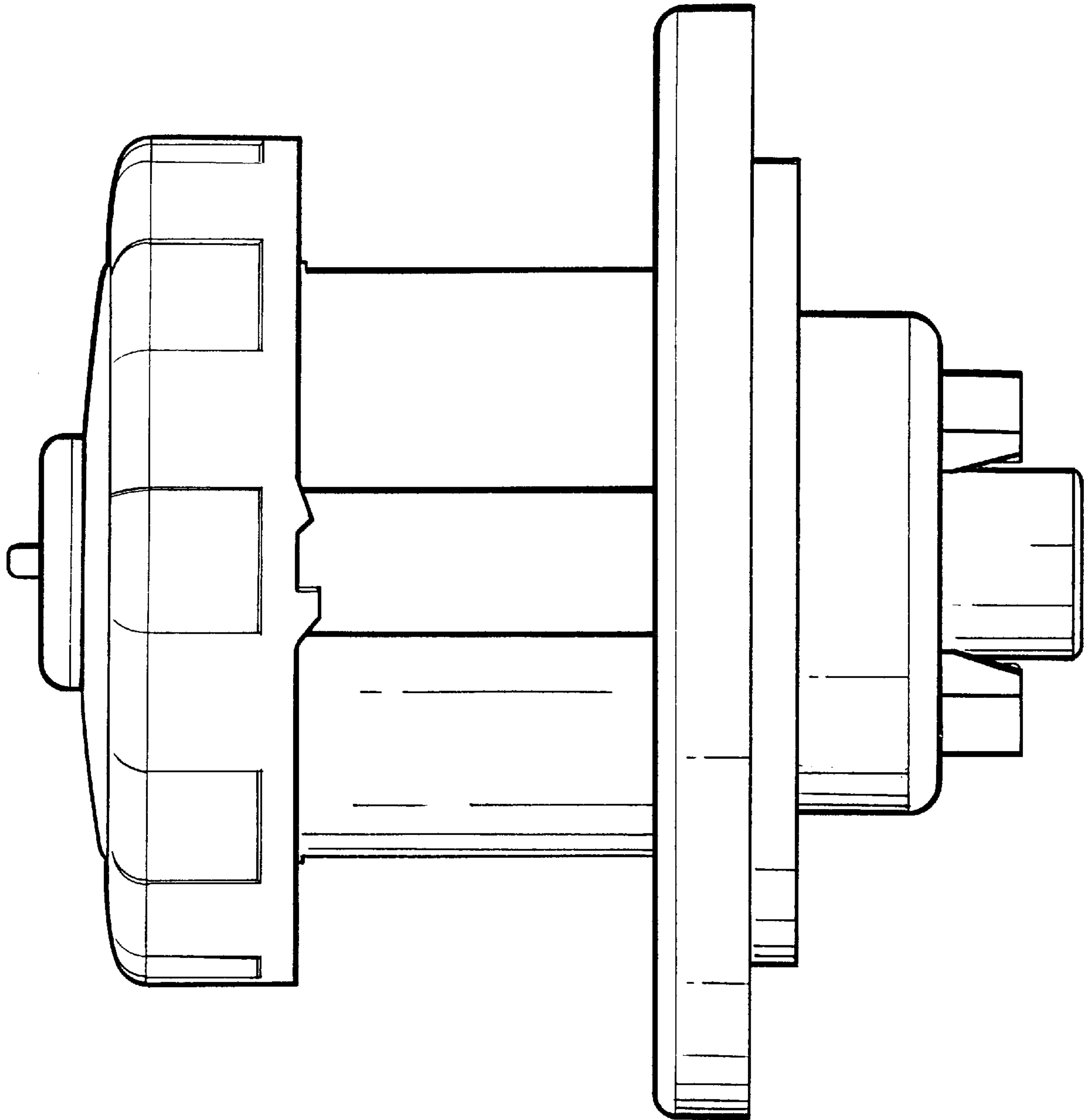
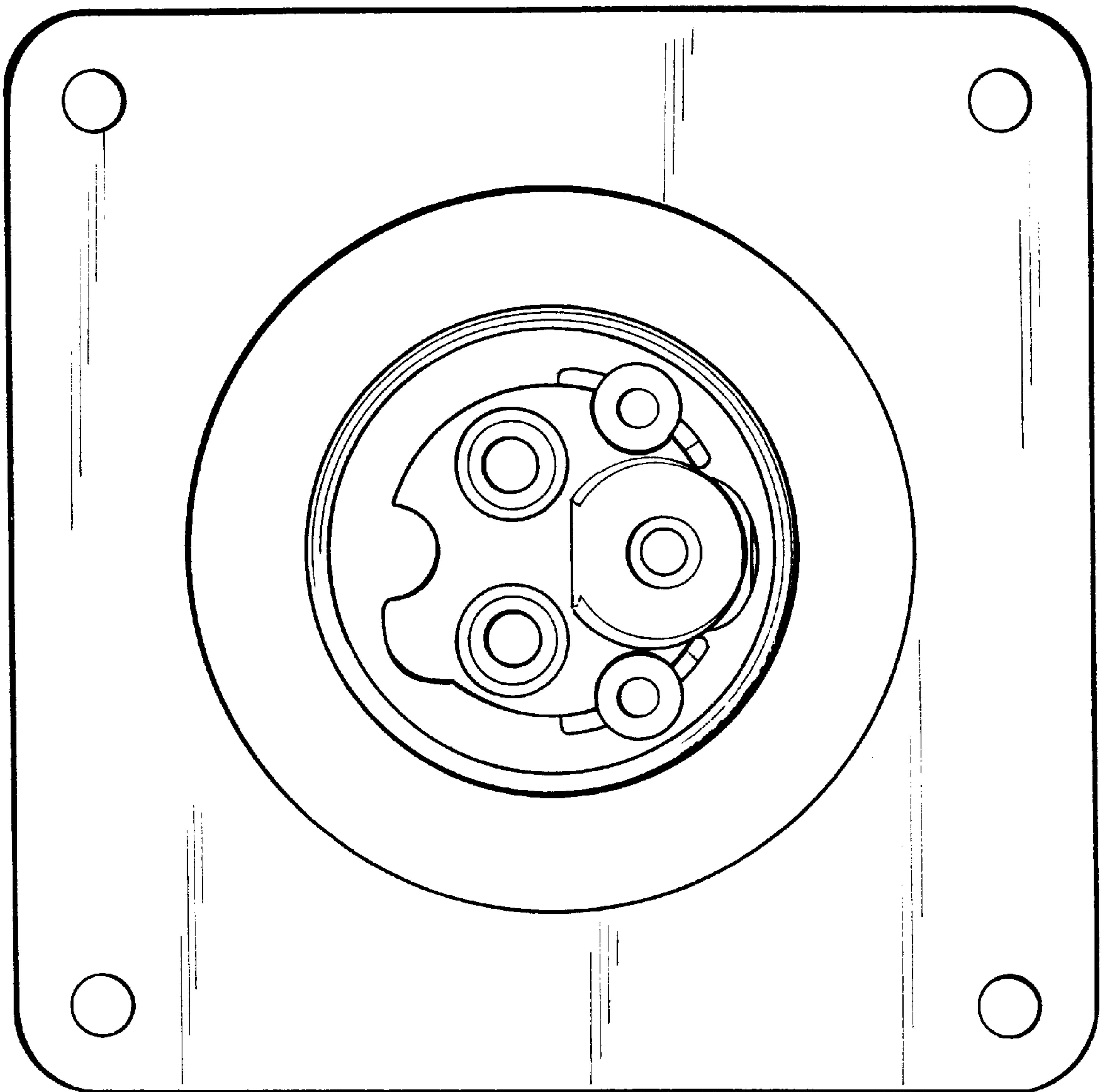


Fig. 7

FIG. 8



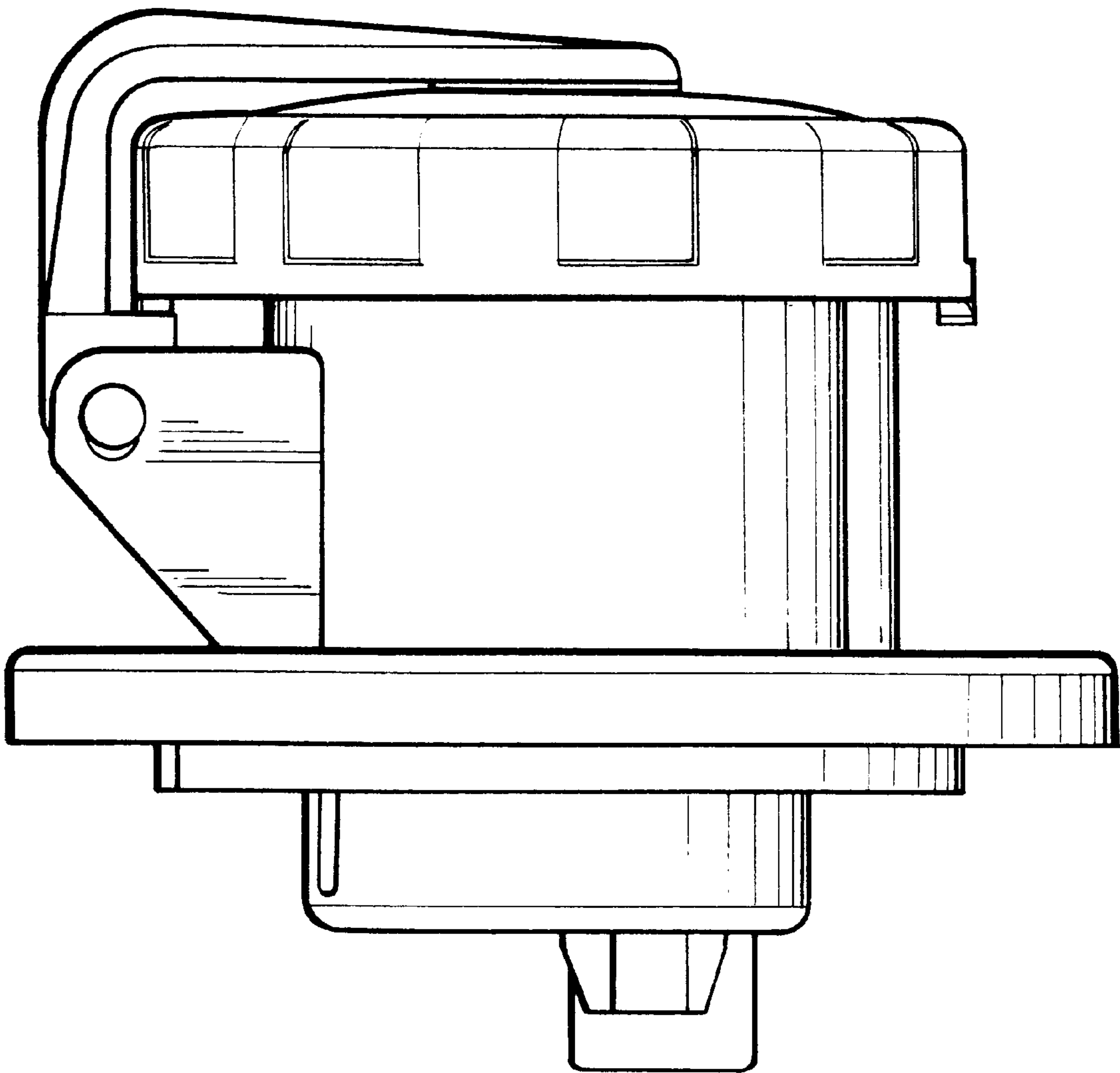


Fig. 9