



US00D449580B1

(12) **United States Design Patent**
Gee, II

(10) **Patent No.:** **US D449,580 S**

(45) **Date of Patent:** **** Oct. 23, 2001**

(54) **SURGE SUPPRESSOR WITH COVERED OUTLETS AND CORD MANAGEMENT FEATURE**

Belkin Components and Stanley advertising literature for 8-outlet Stanley Surge Pro™, dated prior to Jan. 28, 2001, 1 page.

* cited by examiner

(75) Inventor: **Jack W. Gee, II**, Cleveland, OH (US)

Primary Examiner—Jennifer Rivard

(74) *Attorney, Agent, or Firm*—Pearne & Gordon LLP

(73) Assignee: **General Electric Company**, Schenectady, NY (US)

(57) **CLAIM**

The ornamental design for a surge suppressor with covered outlets and cord management feature, as shown and described.

(**) Term: **14 Years**

DESCRIPTION

(21) Appl. No.: **29/138,496**

FIG. 1 is a perspective view of a surge suppressor with covered outlets and cord management feature, according to the invention;

(22) Filed: **Mar. 14, 2001**

FIG. 2 is a left-side elevational view of the surge suppressor with covered outlets and cord management feature of FIG. 1, with the right-side view being a mirror image thereof;

(51) **LOC (7) Cl.** **13-03**

(52) **U.S. Cl.** **D13/139.8**

(58) **Field of Search** D13/139.1, 139.6, D13/139.7, 139.8, 137.1–137.4; 439/650–654, 107, 954; 174/135

FIG. 3 is a front elevational view of the surge suppressor with covered outlets and cord management feature of FIG. 1;

(56) **References Cited**

U.S. PATENT DOCUMENTS

D. 435,517 * 12/2000 Stekelenburg D13/139.8

D. 435,518 * 12/2000 Stekelenburg D13/139.8

FIG. 4 is a top plan view of the surge suppressor with covered outlets and cord management feature of FIG. 1;

OTHER PUBLICATIONS

Facsimile of photograph of similar model seen at a trade show c. Jun. 2000, 1 page.

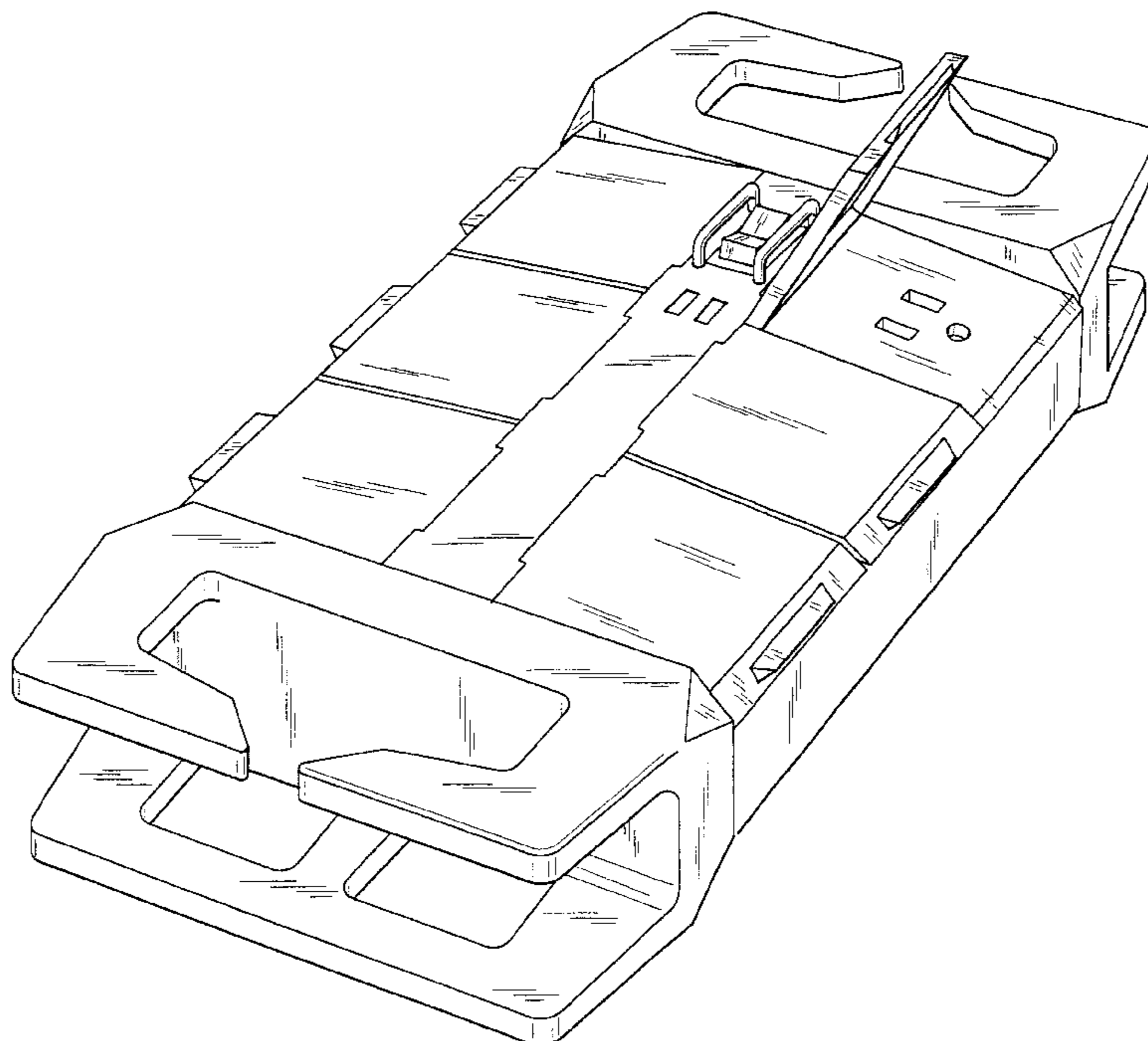
Belkin Components and Stanley advertising literature for 6- and 8-outlet Stanley Surge Pro™, dated prior to Jan. 28, 2001, 1 page.

FIG. 5 is a bottom plan view of the surge suppressor with covered outlets and cord management feature of FIG. 1;

FIG. 6 is a back elevational view of the surge suppressor with covered outlets and cord management feature of FIG. 1; and,

FIG. 7 is a perspective view of the surge suppressor with covered outlets and cord management feature of FIG. 1 with an outlet cover opened.

1 Claim, 4 Drawing Sheets



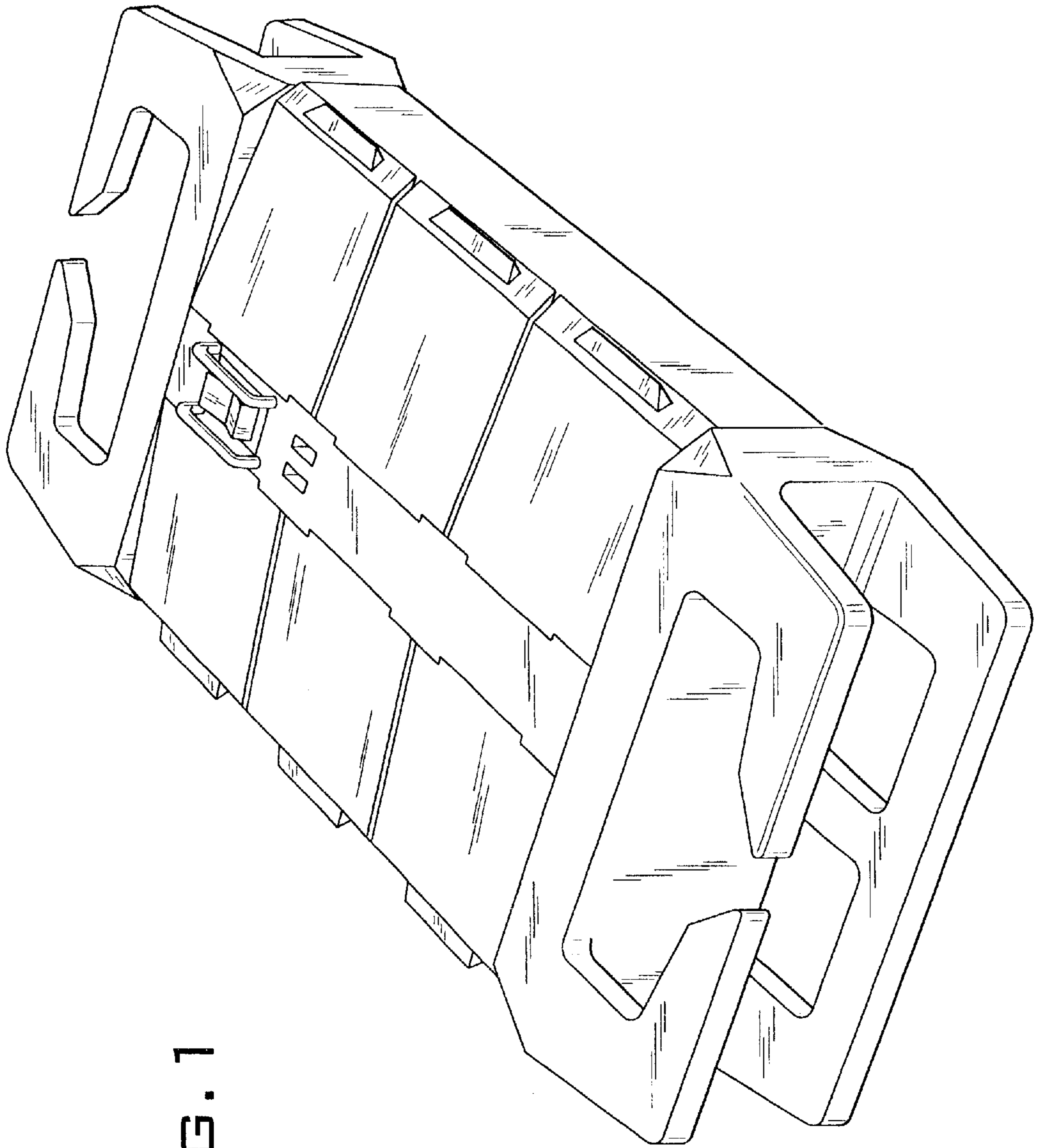


FIG. 1

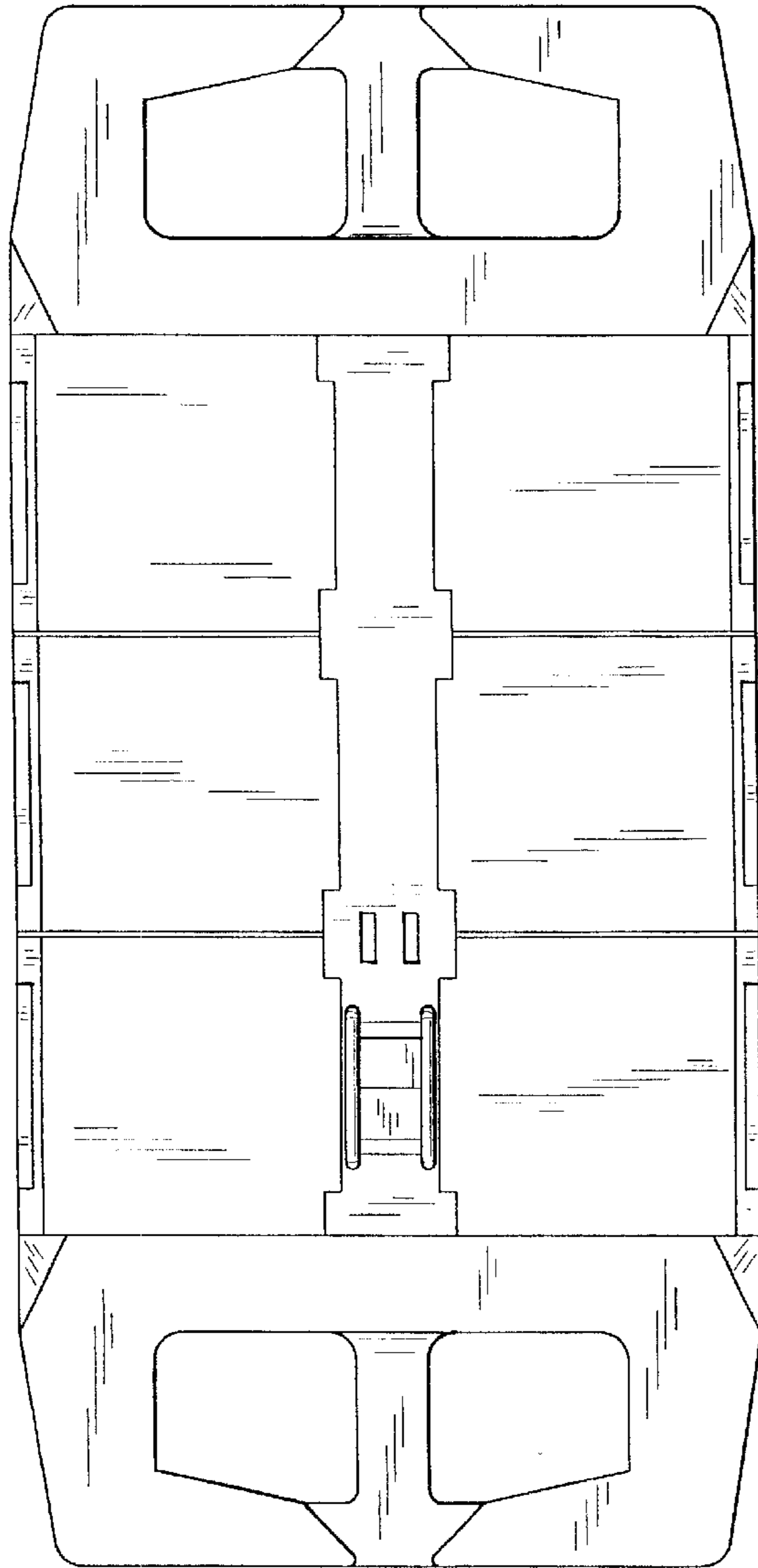


FIG. 4

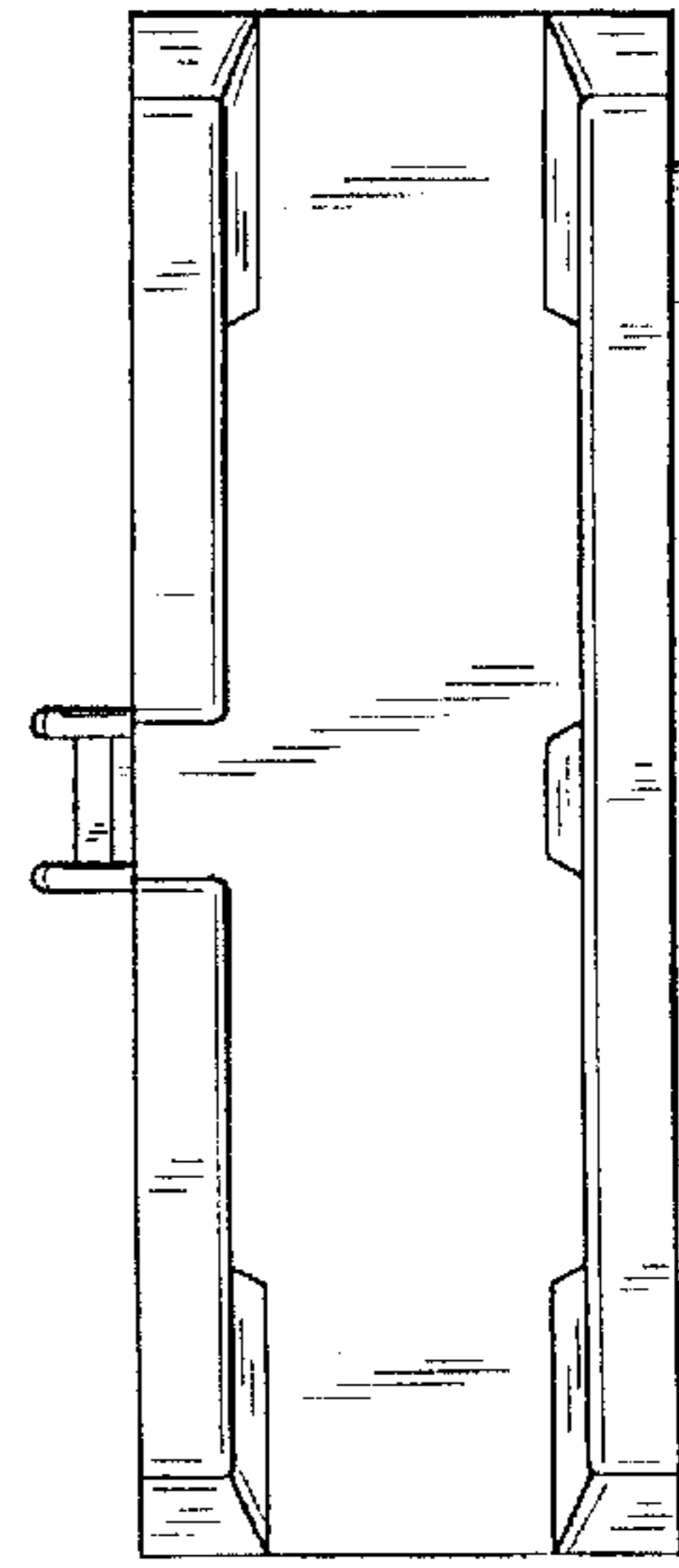


FIG. 3

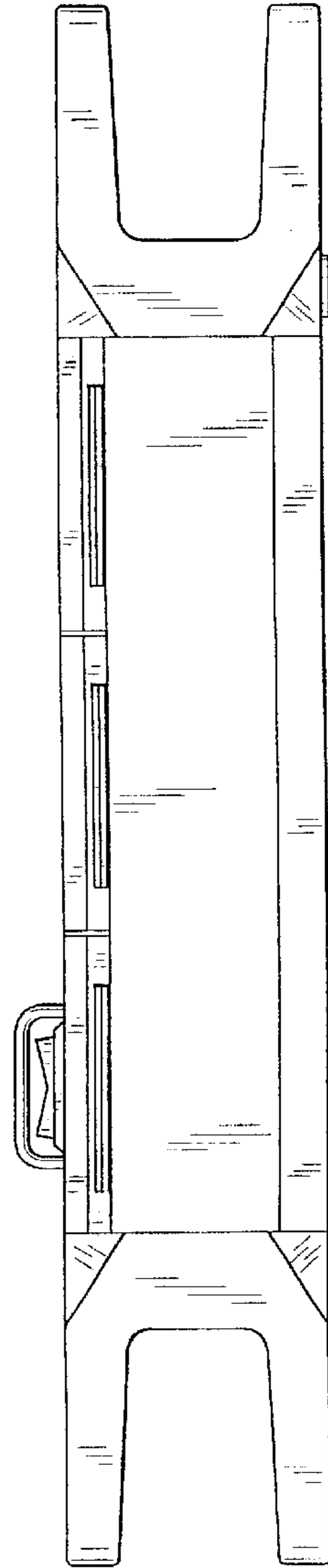


FIG. 2

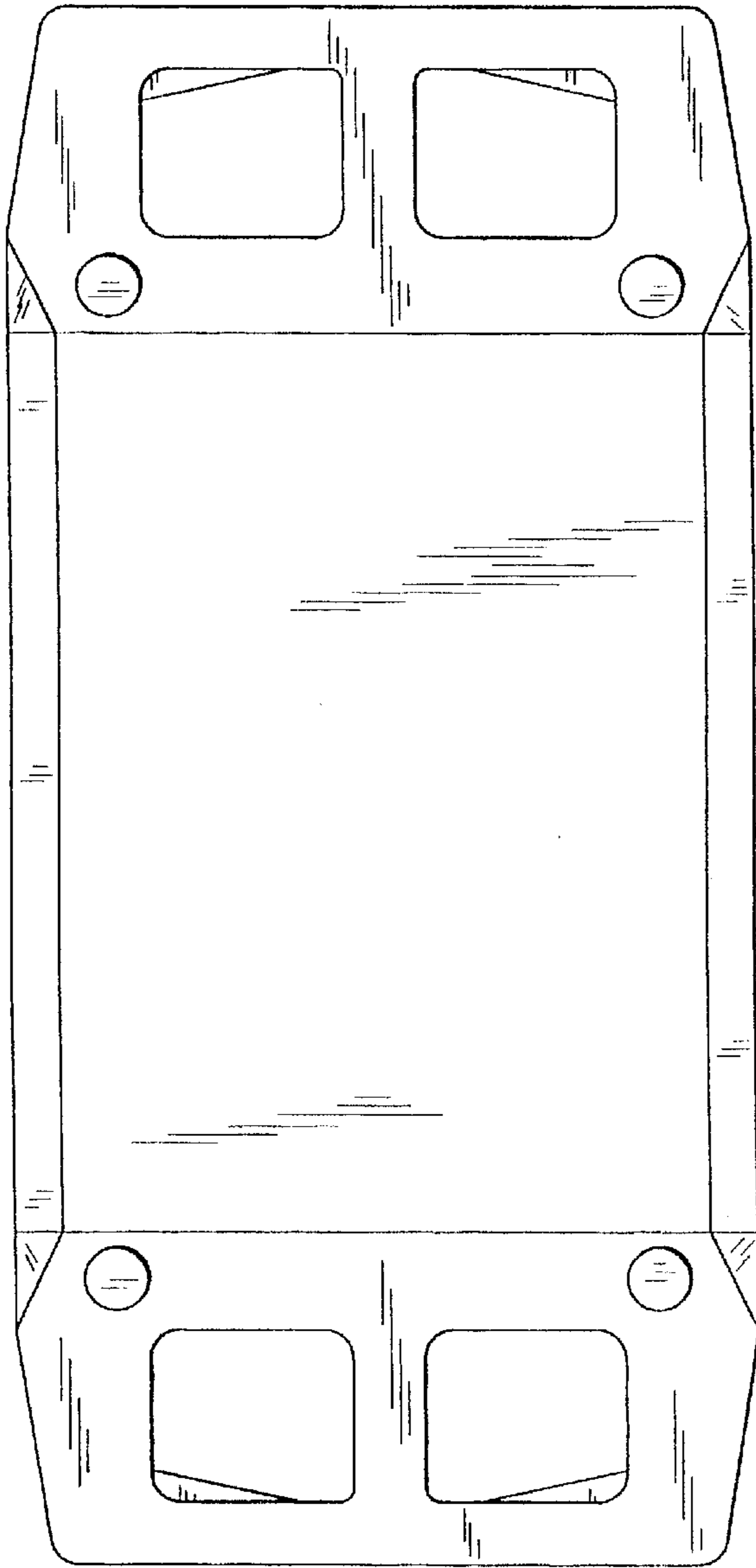


FIG. 5

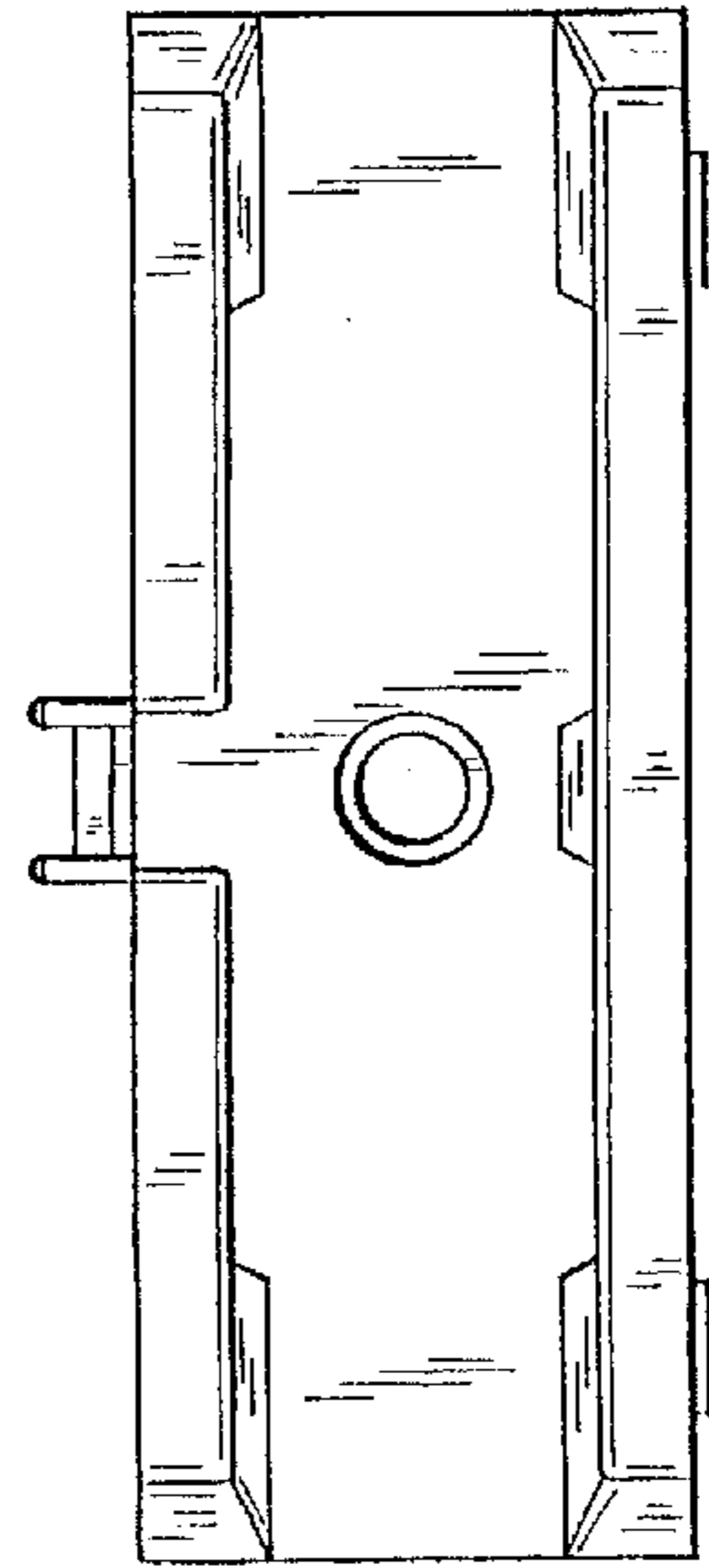


FIG. 6

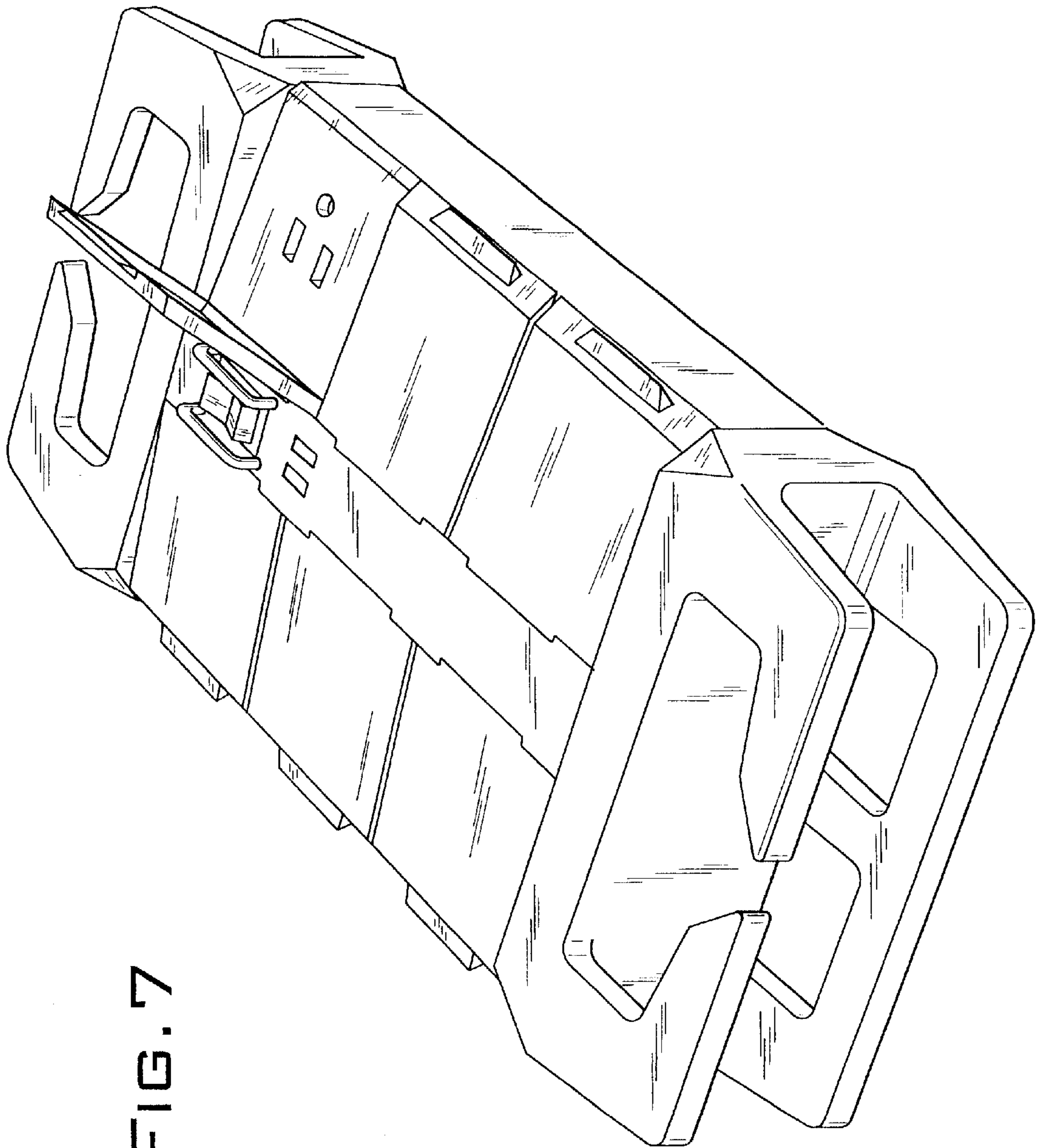


FIG. 7