



US00D449579B1

(12) **United States Design Patent**  
**Goto**

(10) **Patent No.:** **US D449,579 S**

(45) **Date of Patent:** **\*\* Oct. 23, 2001**

(54) **ELECTRIC CONNECTOR**

5,702,261 \* 12/1997 Wang ..... 439/188

(75) Inventor: **Teiyu Goto**, Tokyo (JP)

\* cited by examiner

(73) Assignee: **Sony Computer Entertainment Inc.**,  
Tokyo (JP)

*Primary Examiner*—Joel Sincavage

(74) *Attorney, Agent, or Firm*—Rader, Fishman & Grauer,  
PLLC

(\*\*) Term: **14 Years**

(57) **CLAIM**

(21) Appl. No.: **29/123,690**

The ornamental design for an electric connector, as shown  
and described.

(22) Filed: **May 24, 2000**

(30) **Foreign Application Priority Data**

**DESCRIPTION**

Jan. 25, 2000 (JP) ..... 12-00925

FIG. 1 is a perspective view of an electric connector  
showing my new design;

(51) **LOC (7) Cl.** ..... **13-03**

FIG. 2 is a front elevational view thereof;

(52) **U.S. Cl.** ..... **D13/133; D13/153**

FIG. 3 is a rear elevational view thereof;

(58) **Field of Search** ..... D13/153, 133,  
D13/146, 147; 439/502, 582, 694, 844,  
854, 855

FIG. 4 is a top plan view thereof;

FIG. 5 is a bottom plan view thereof;

FIG. 6 is a right elevational view thereof; and

FIG. 7 is a left side elevational view thereof;

FIG. 8 is a perspective view of another embodiment of an  
electrical connector showing my new design;

FIG. 9 is a front elevational view thereof;

FIG. 10 is a rear elevational view thereof;

FIG. 11 is a top plan view thereof;

FIG. 12 is a bottom plan view thereof;

FIG. 13 is a right side elevational view thereof; and,

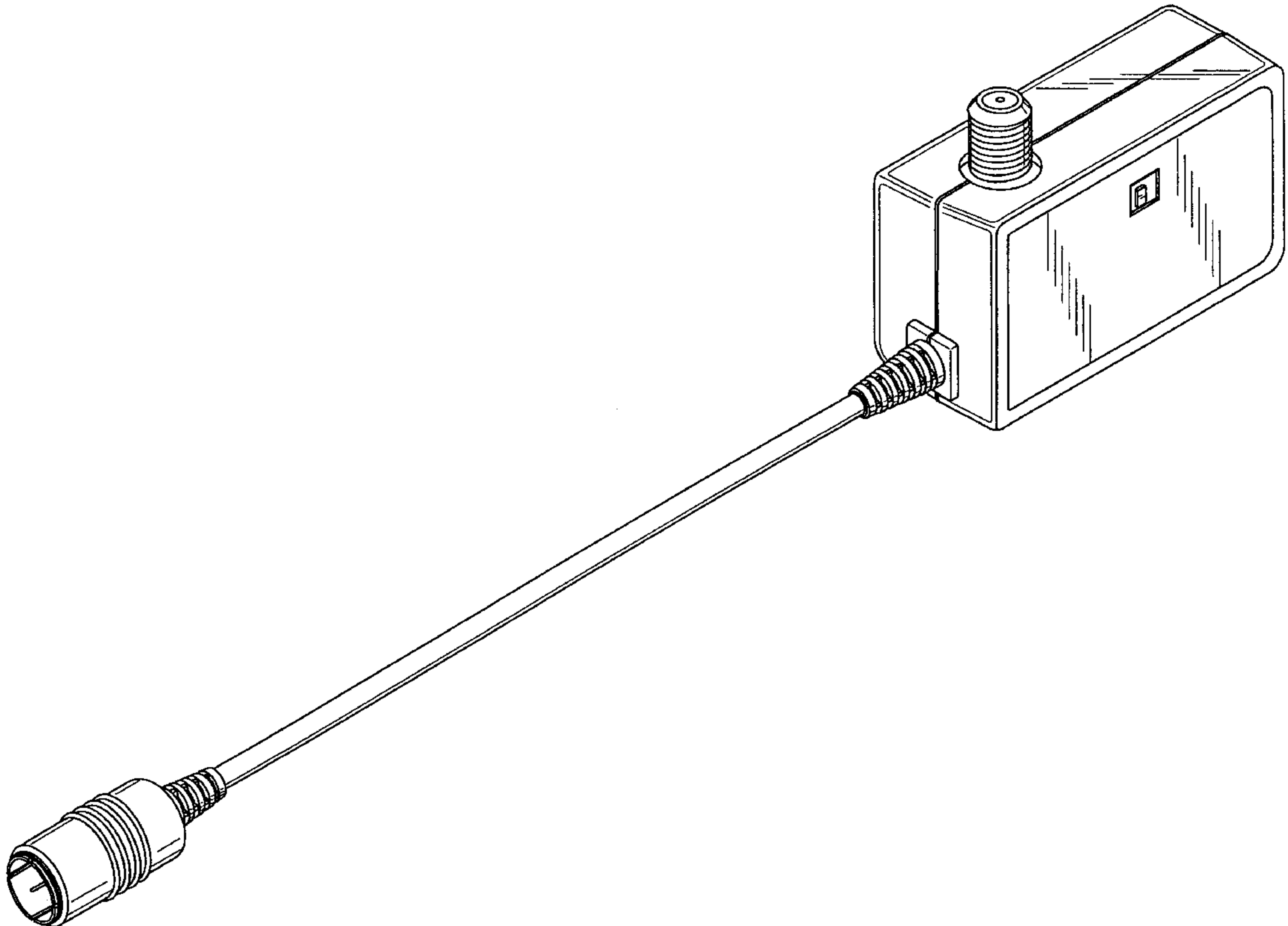
FIG. 14 is a left side elevational view thereof.

(56) **References Cited**

**U.S. PATENT DOCUMENTS**

D. 298,121	*	10/1988	Furuhashi	.....	D13/146
D. 407,376	*	3/1999	Copeland et al.	.....	D13/153
D. 409,150	*	5/1999	Davis et al.	.....	D13/153
D. 416,869	*	11/1999	Tsai	.....	D13/153
3,792,284	*	2/1974	Kaelin	.....	250/551
5,511,995	*	4/1996	Cheng	.....	439/638
5,639,262	*	6/1997	Lim	.....	439/607

**1 Claim, 8 Drawing Sheets**



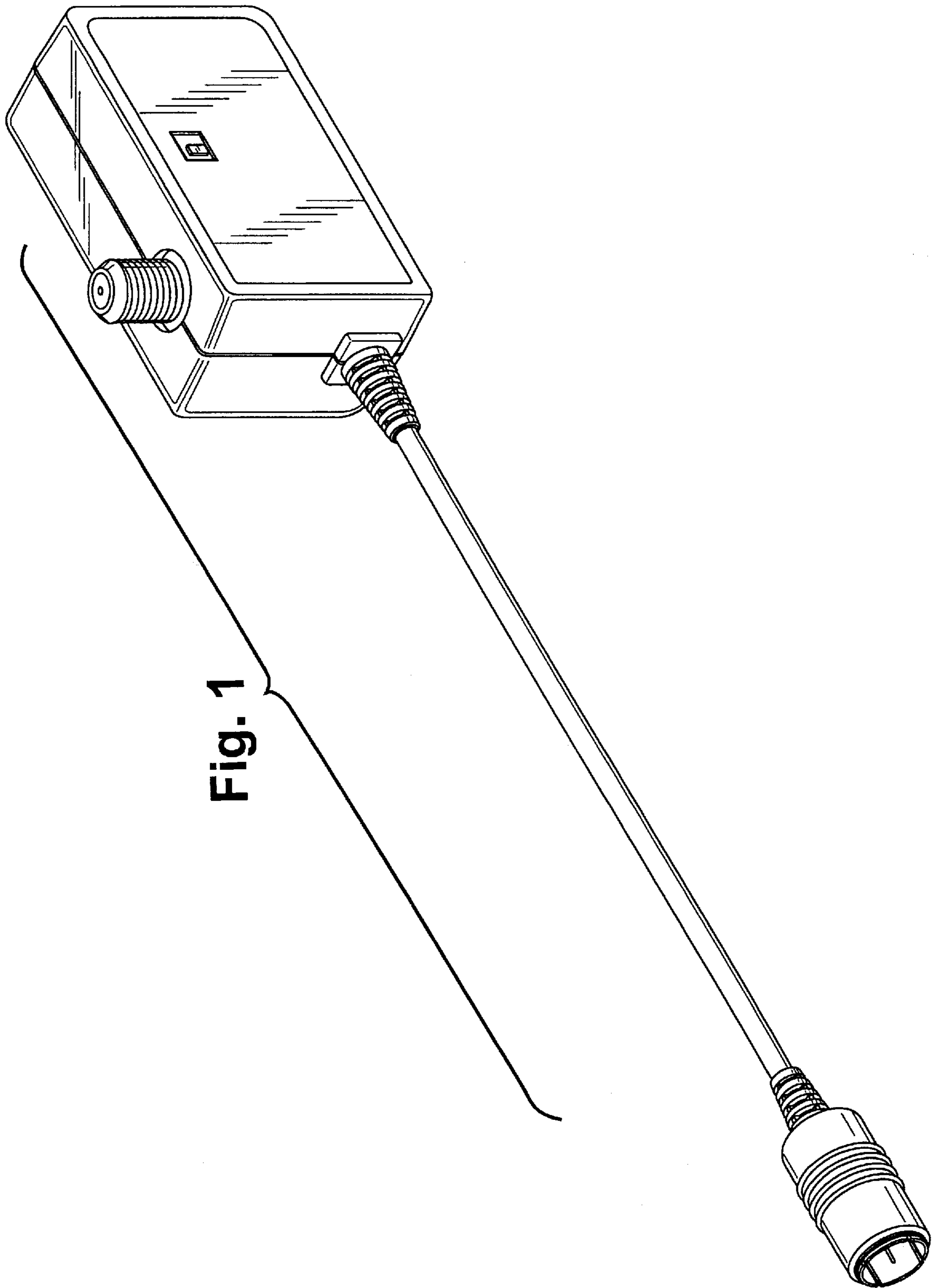


Fig. 1

Fig. 2

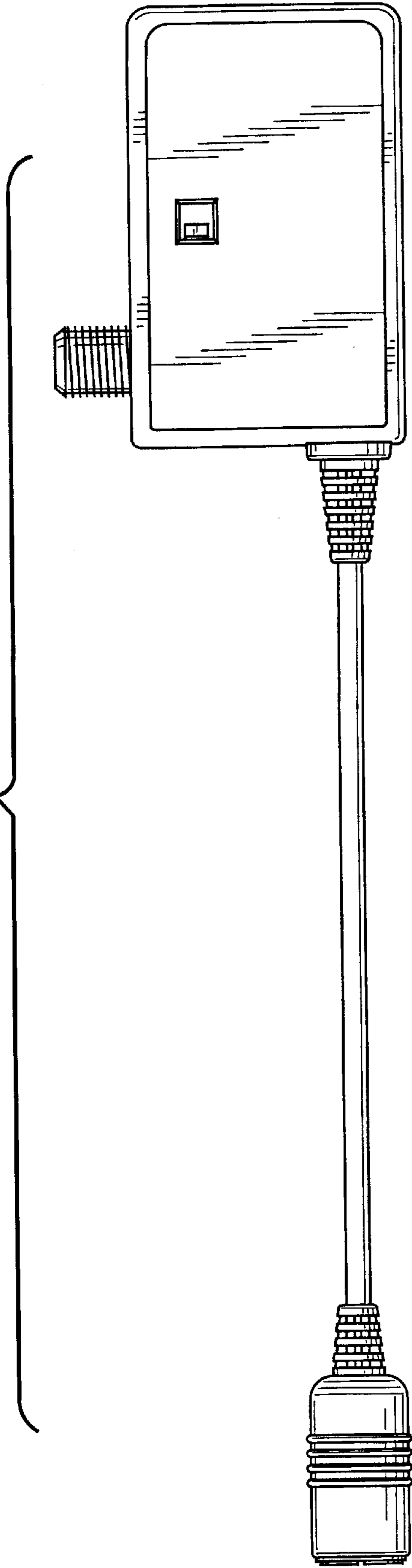


Fig. 3

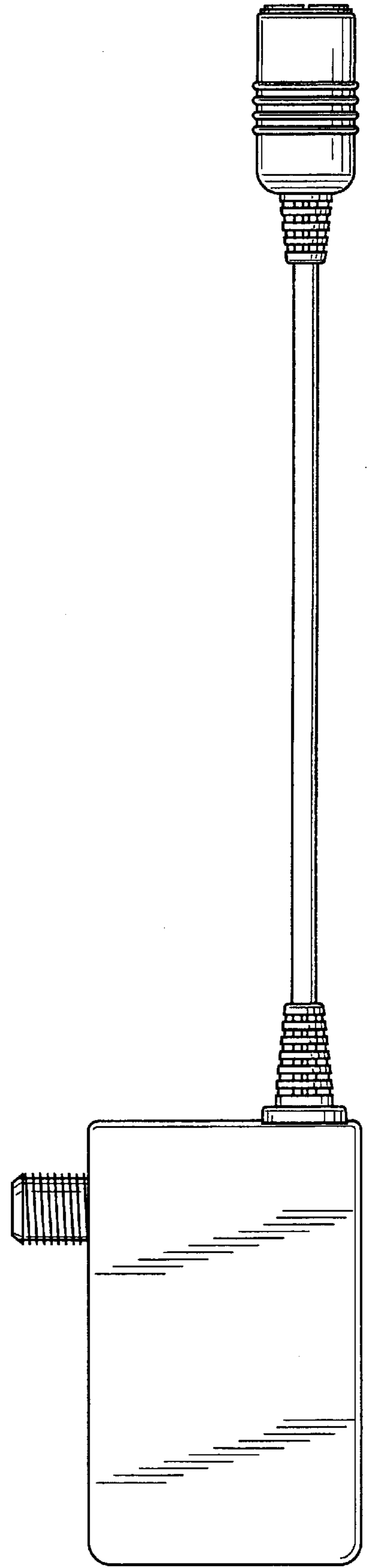


Fig. 4

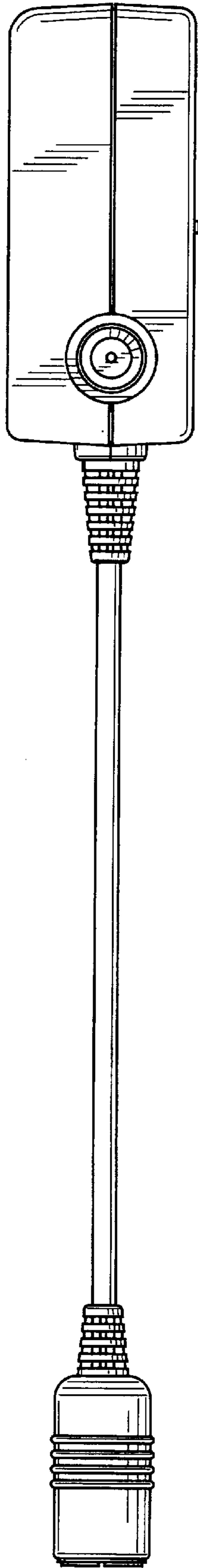
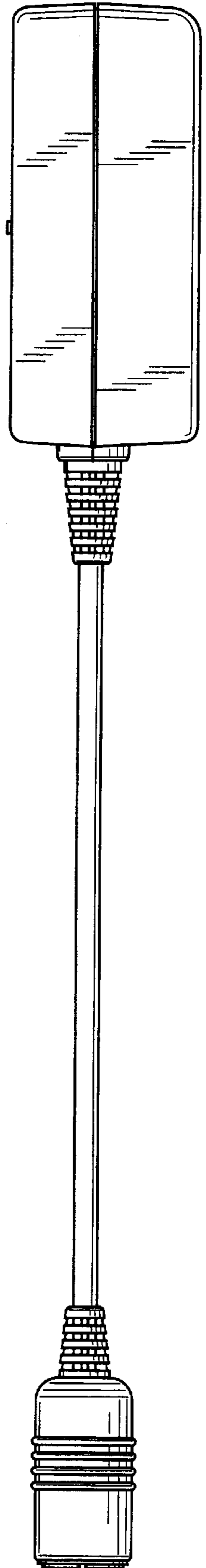
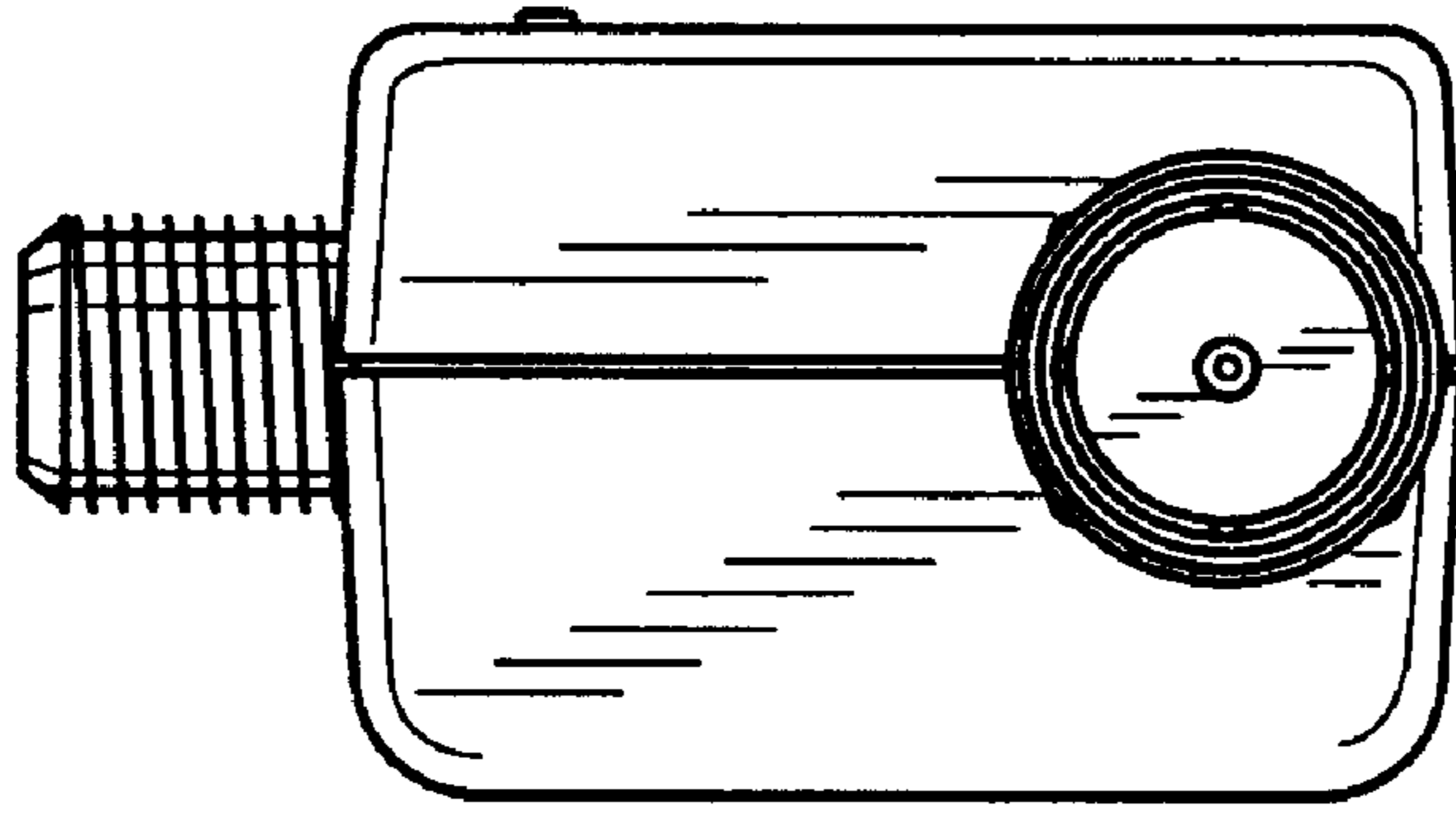
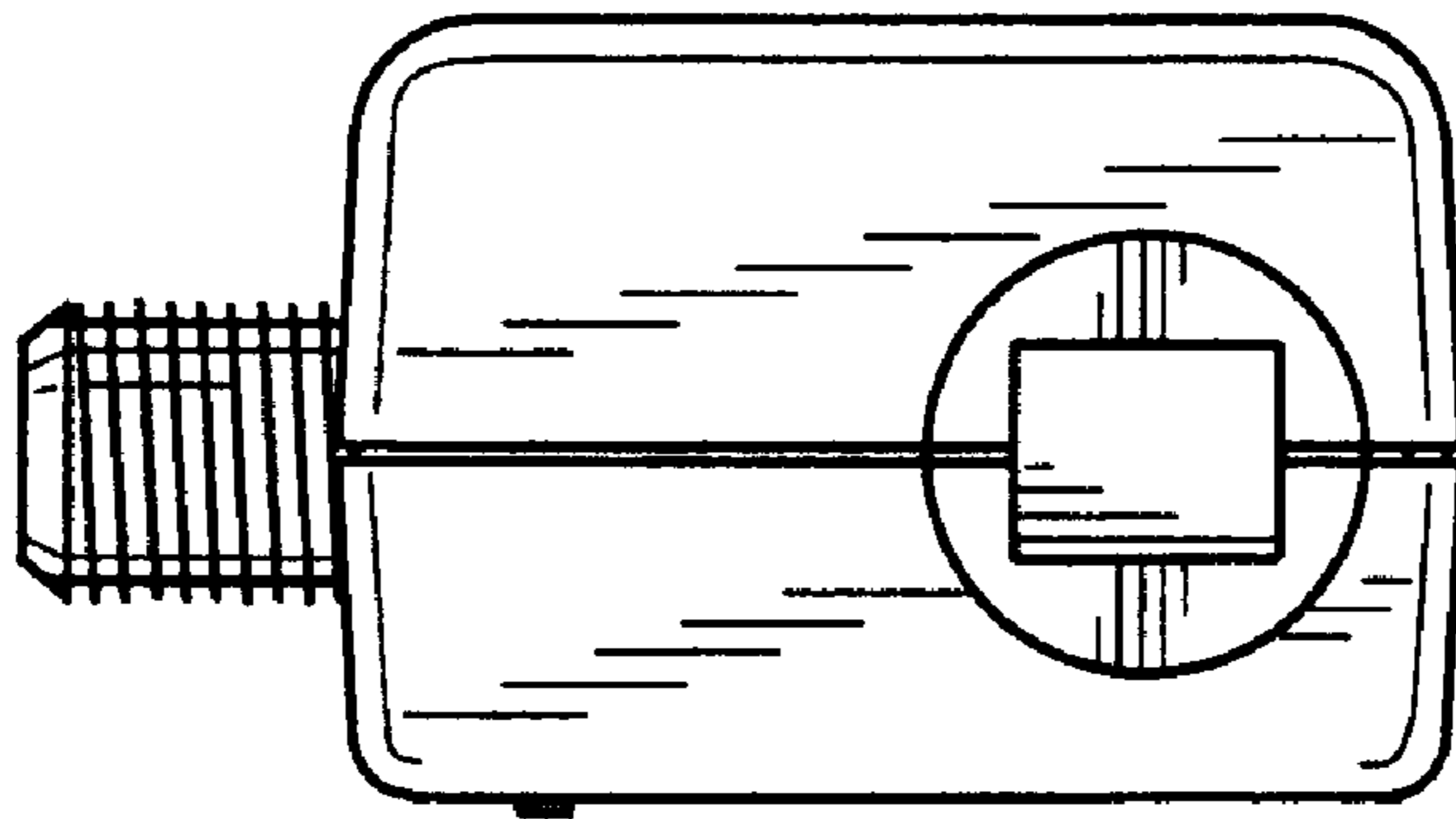


Fig. 5





**Fig. 6**



**Fig. 7**

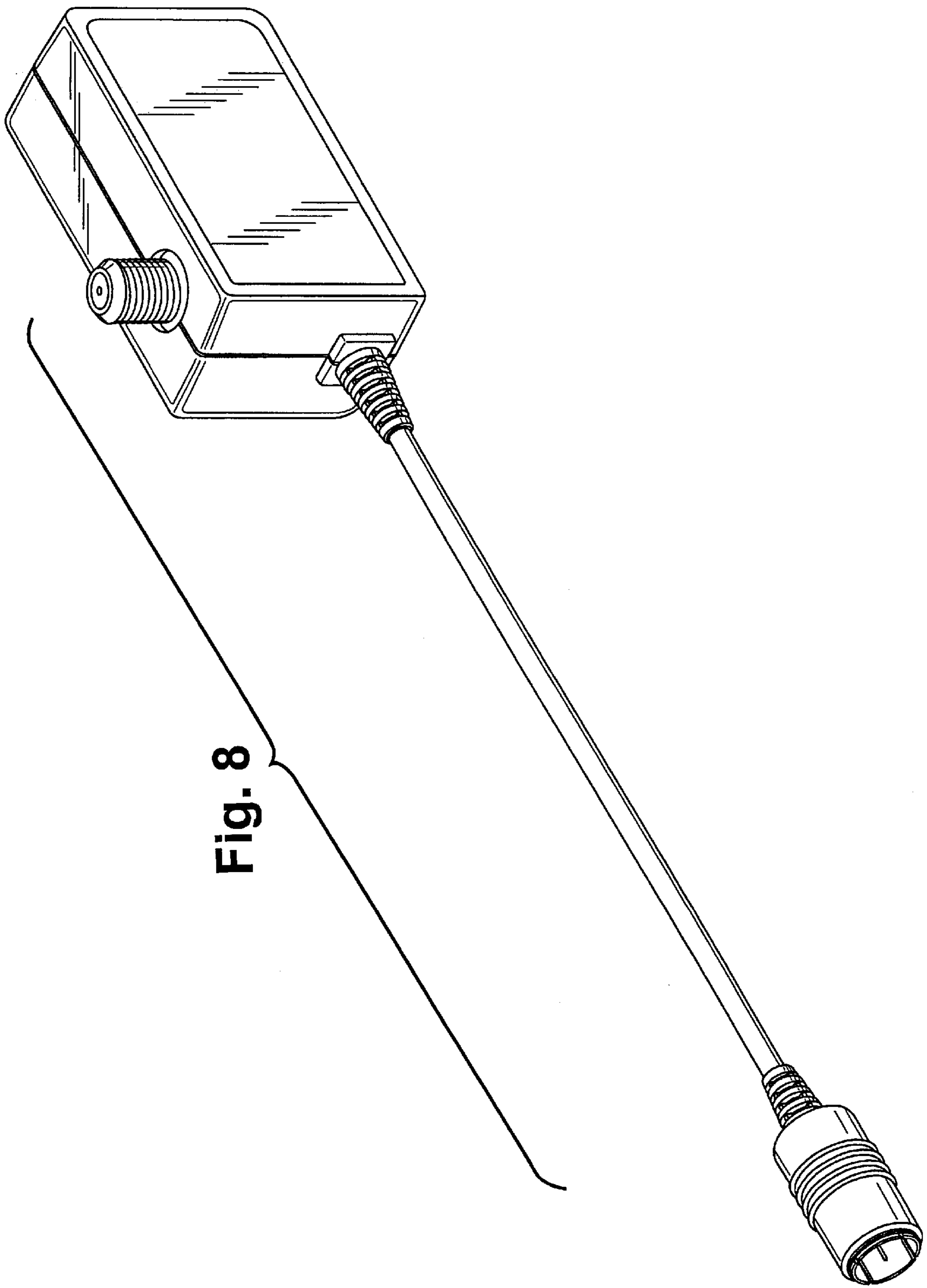


Fig. 8

Fig. 9

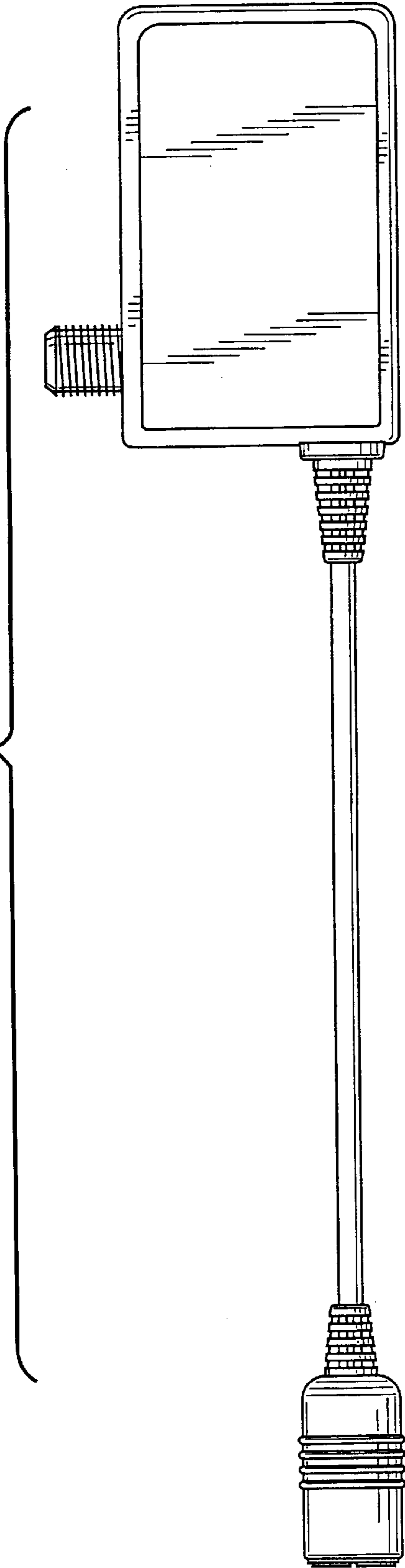


Fig. 10

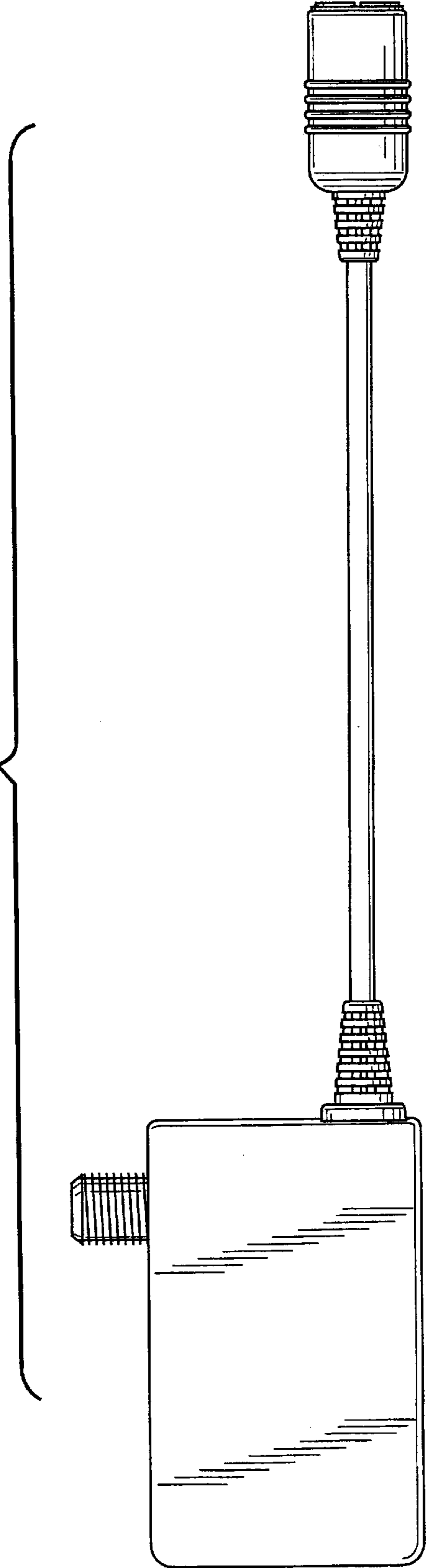


Fig. 11

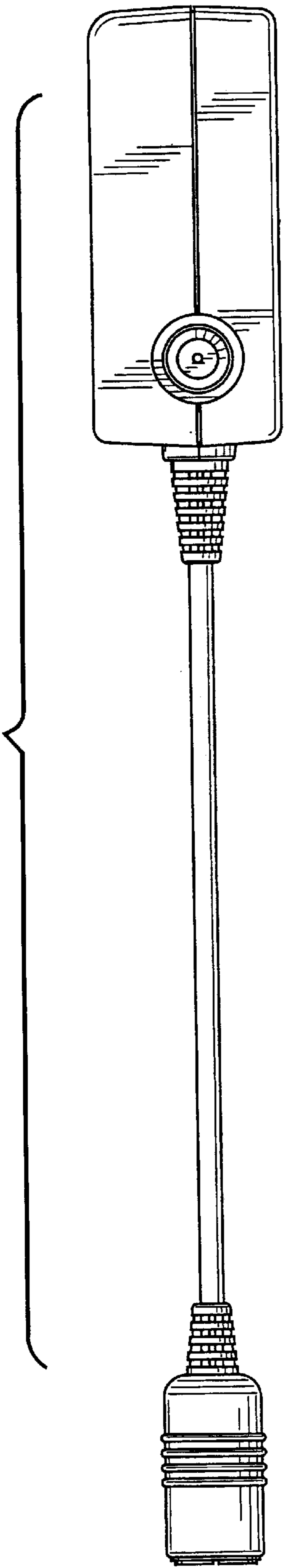
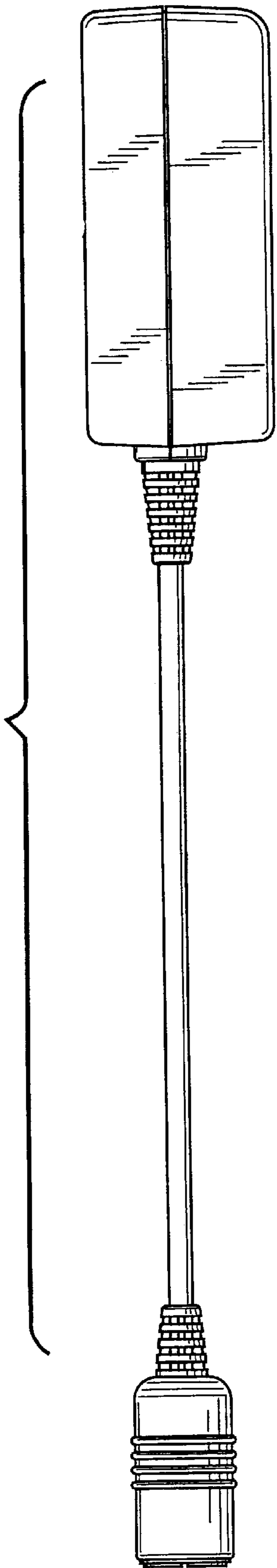
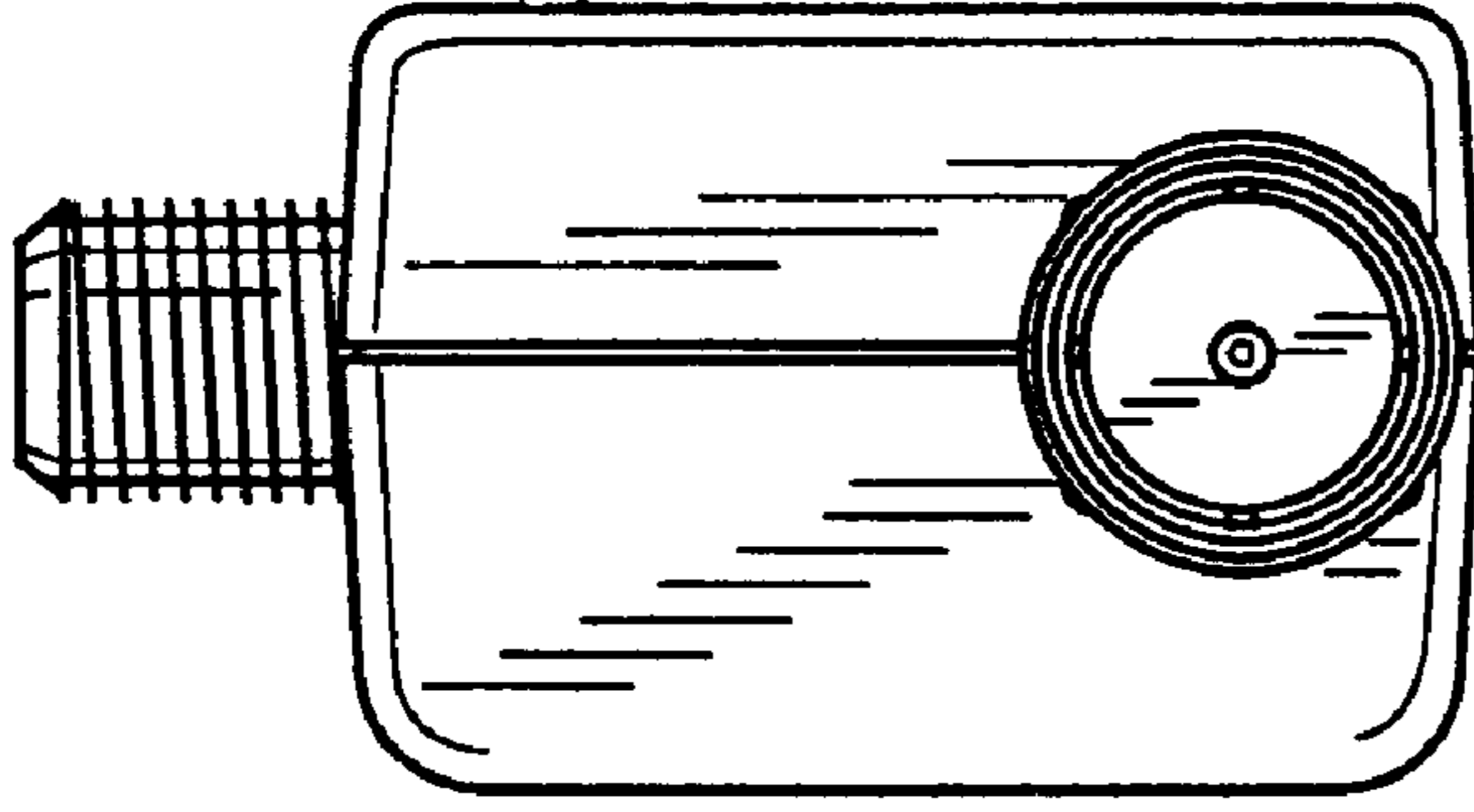


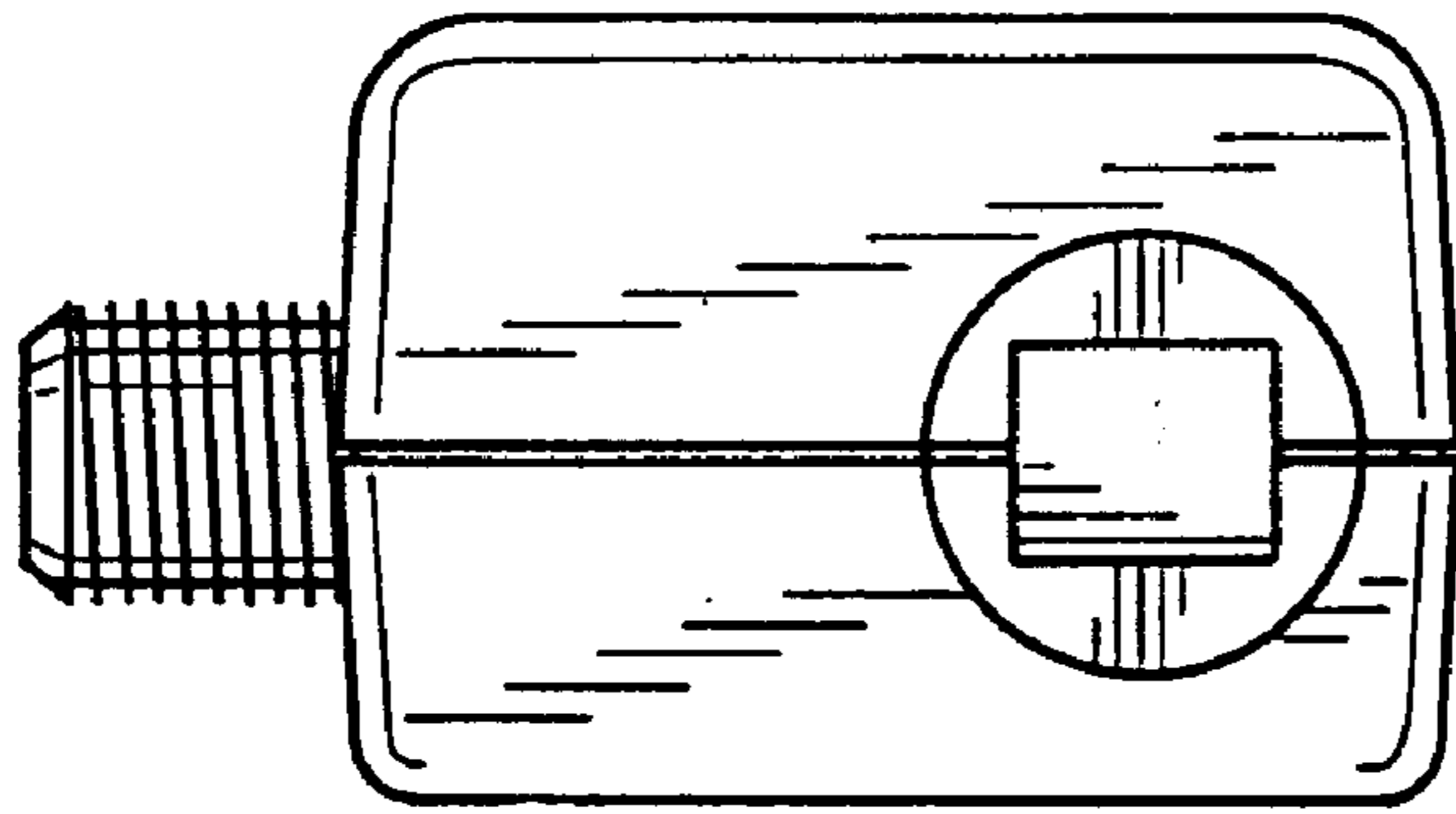
Fig. 12







**Fig. 14**



**Fig. 13**