



US00D449577B1

(12) **United States Design Patent**
Nishio et al.

(10) **Patent No.:** **US D449,577 S**

(45) **Date of Patent:** **** Oct. 23, 2001**

(54) **BATTERY CASE**

(75) Inventors: **Atsushi Nishio**, Ibaraki-Ken; **Katsuhiro Hori**, Mito; **Satoru Karahashi**, Ushiku; **Yoshiyuki Kikuchi**, Kasama, all of (JP)

(73) Assignee: **Mitsumi Electric Co., Ltd.** (JP)

(**) Term: **14 Years**

(21) Appl. No.: **29/116,706**

(22) Filed: **Jan. 7, 2000**

(30) **Foreign Application Priority Data**

Jul. 7, 1999 (JP) 11-18099

(51) **LOC (7) Cl.** **13-02**

(52) **U.S. Cl.** **D13/103**

(58) **Field of Search** D13/103, 119;
429/96-100, 159, 163, 176

(56) **References Cited**

U.S. PATENT DOCUMENTS

- D. 295,739 * 5/1988 Lanci et al. D13/103
- D. 304,026 * 10/1989 Goodner et al. D13/103
- D. 323,809 * 2/1992 Ross, Jr. D13/103
- D. 346,584 * 5/1994 Taniguchi D13/119

- D. 383,725 * 9/1997 Settsu D13/103
- D. 392,614 * 3/1998 Shimizu et al. D13/103
- D. 400,496 * 11/1998 Barber et al. D13/103
- D. 414,159 * 9/1999 Deslyper et al. D13/103
- D. 422,962 * 4/2000 Shevlin et al. D13/103
- D. 432,078 * 10/2000 Chen D13/103
- D. 438,508 * 3/2001 Stanford et al. D13/103

* cited by examiner

Primary Examiner—Joel Sincavage

(74) *Attorney, Agent, or Firm*—Morrison Law Firm

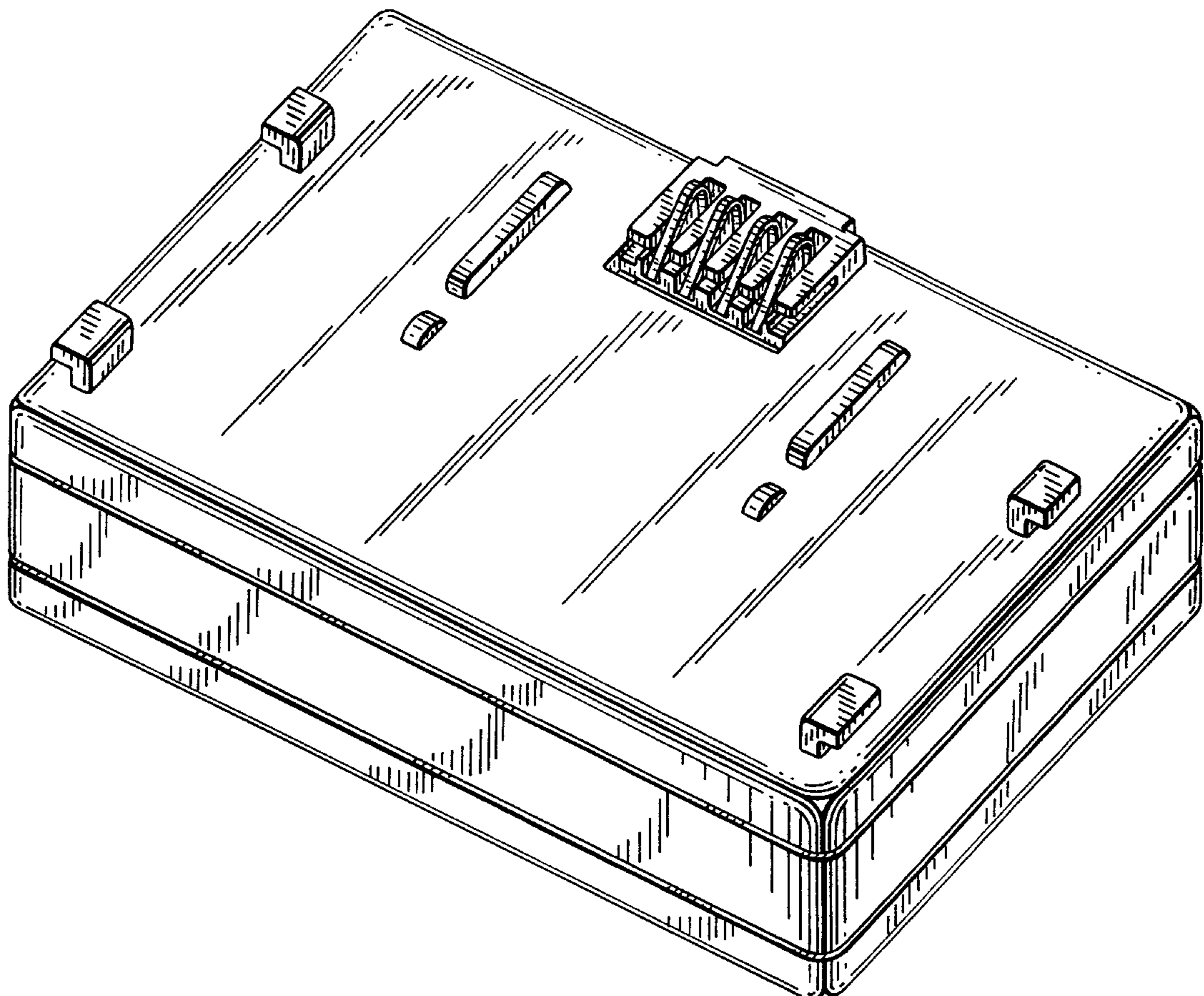
(57) **CLAIM**

The ornamental design for a battery case, as shown and described.

DESCRIPTION

FIG. 1 is a top, front, right side perspective view of a battery case showing our design;
 FIG. 2 is a top plan view thereof;
 FIG. 3 is a front elevational view thereof;
 FIG. 4 is a right side elevational view thereof, the left side being the same;
 FIG. 5 is a rear elevational view thereof; and,
 FIG. 6 bottom plan view thereof.

1 Claim, 4 Drawing Sheets



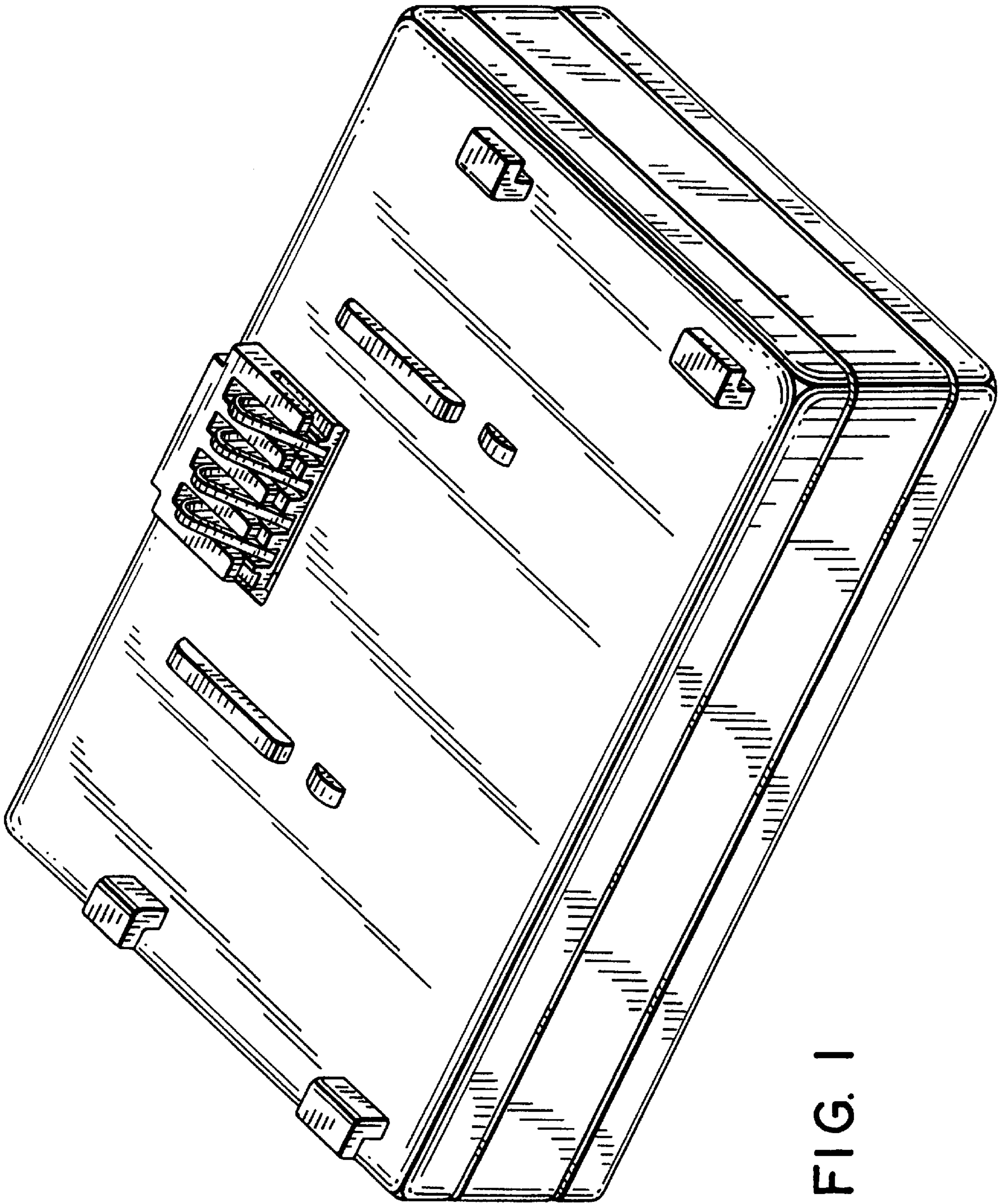


FIG. 1

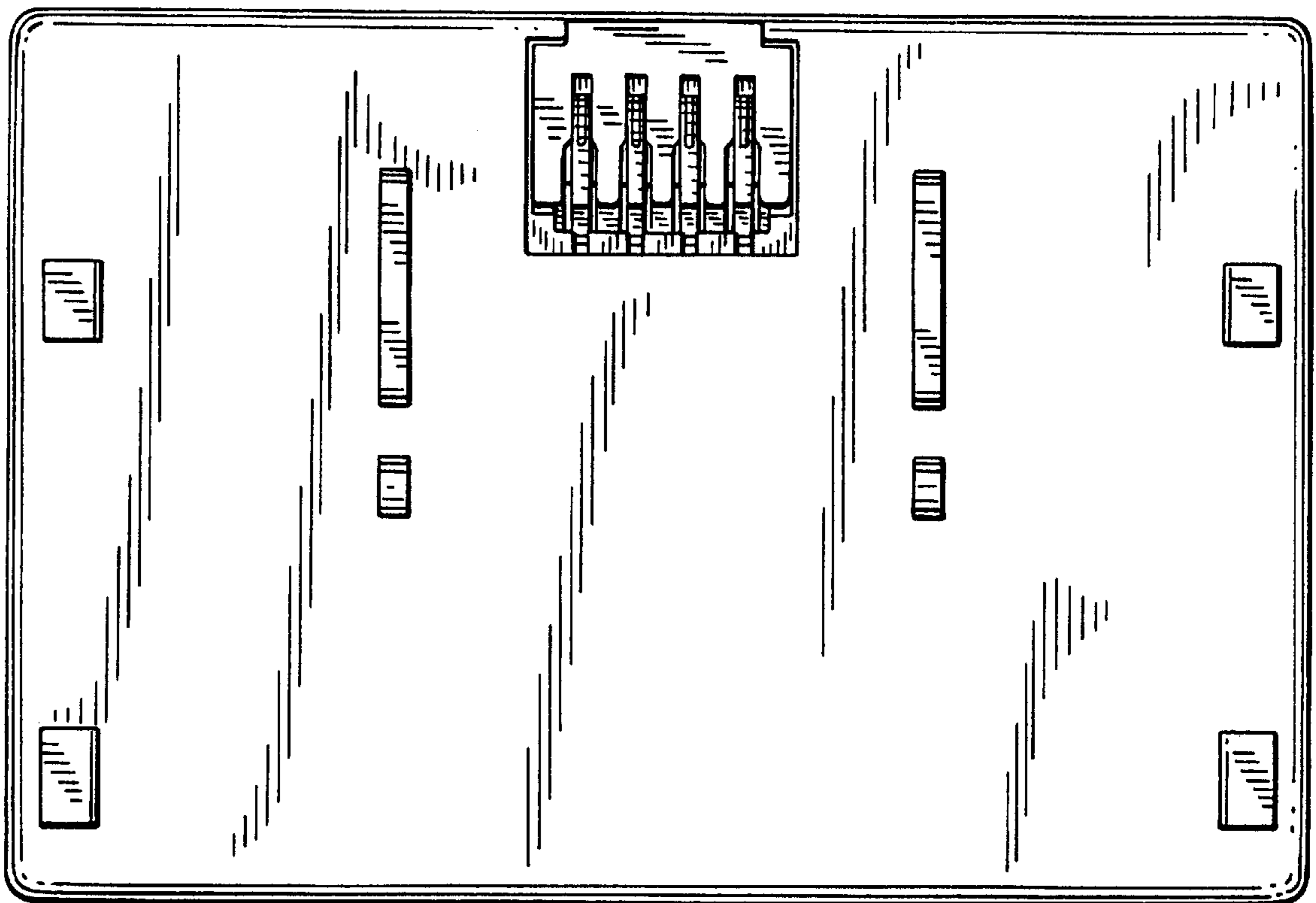


FIG. 2

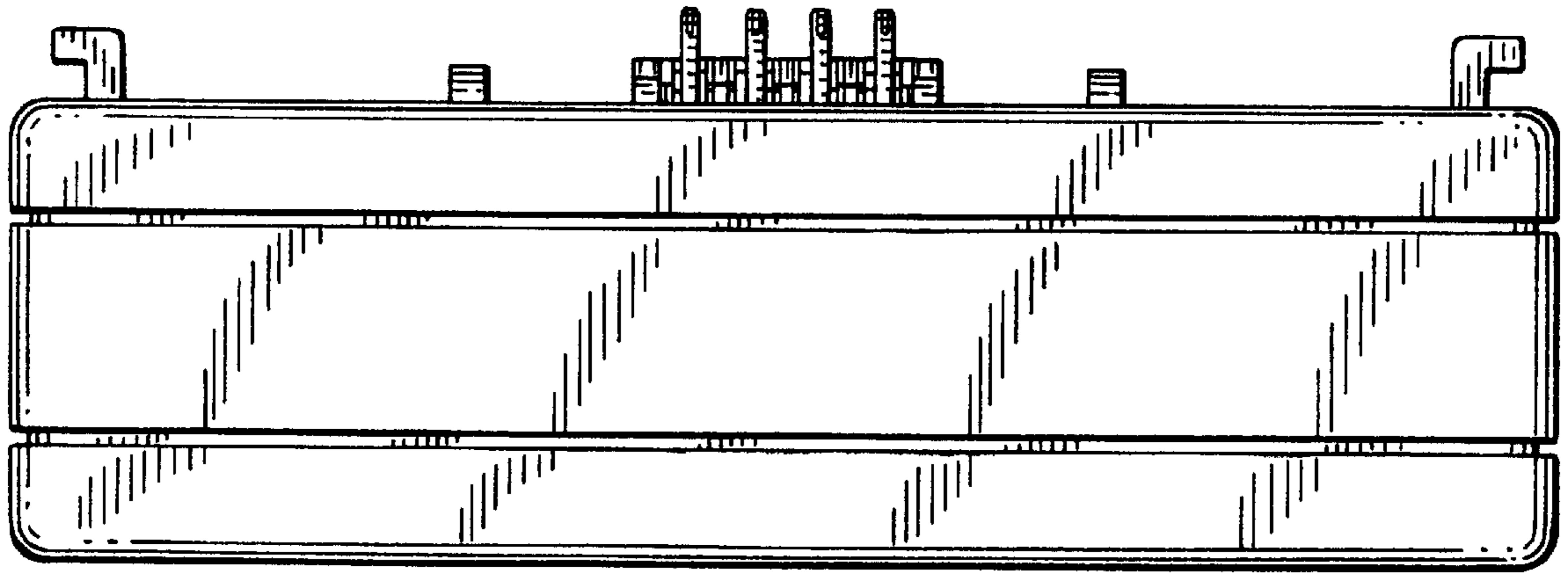


FIG. 3

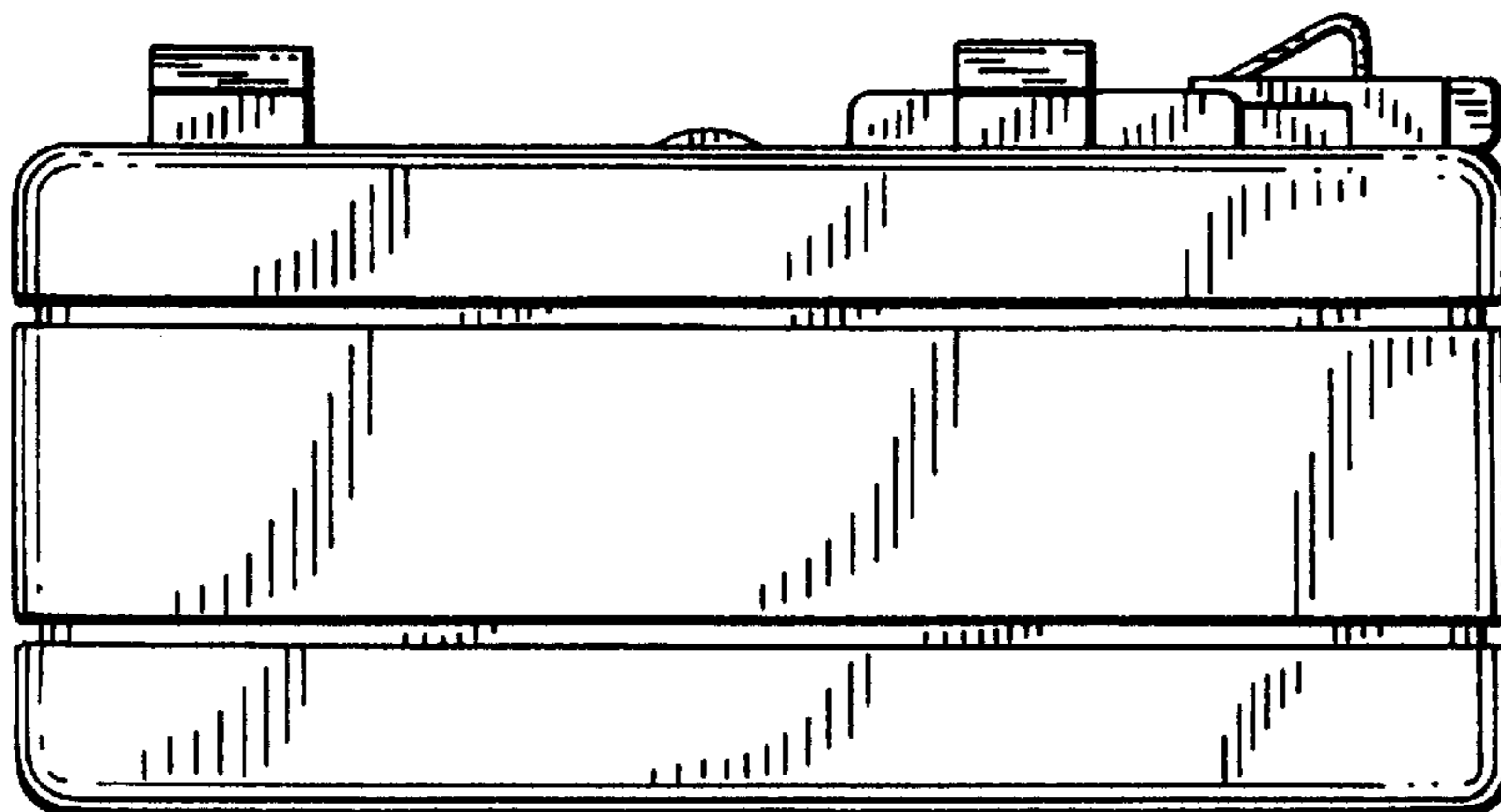


FIG. 4

FIG. 5

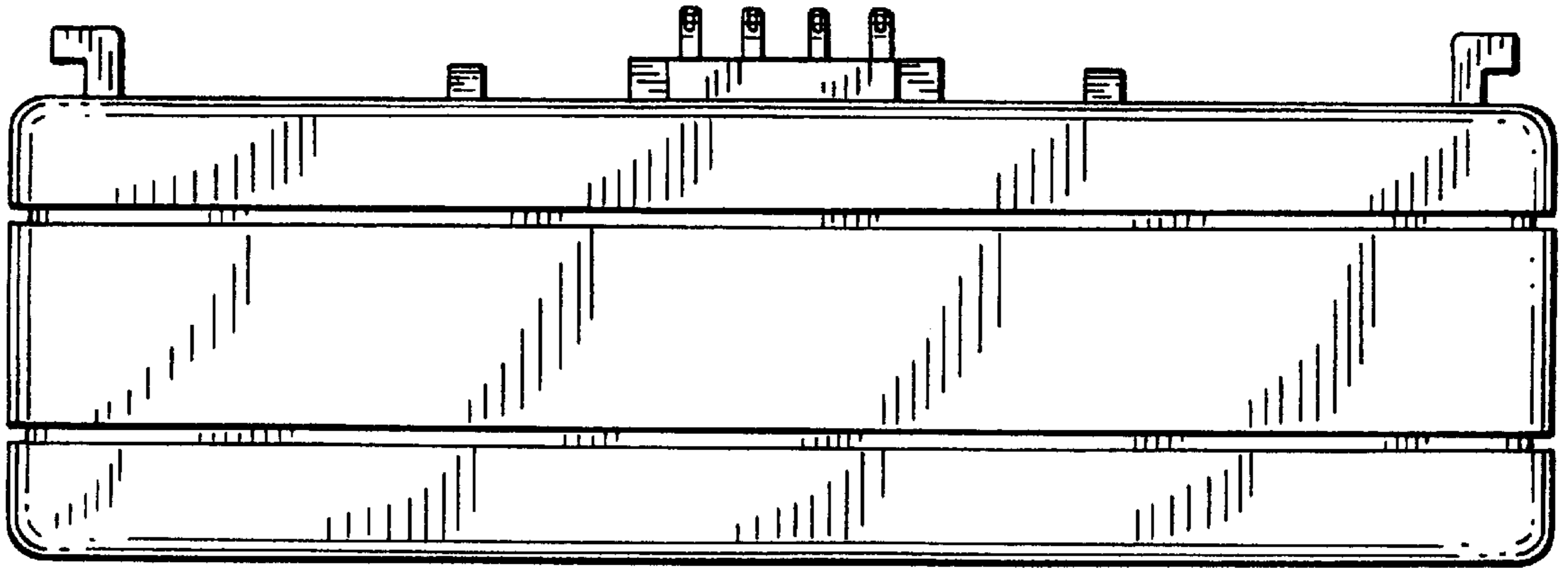


FIG. 6

