



US00D449575B1

(12) **United States Design Patent**  
**Wamsley**

(10) **Patent No.:** **US D449,575 S**

(45) **Date of Patent:** **\*\* Oct. 23, 2001**

(54) **BLOCKING DEVICE FOR USE IN A VEHICLE**

(76) **Inventor:** **Bruce Duane Wamsley**, 2340 Oak St.  
#D, Santa Monica, CA (US) 90405

(\*\*) **Term:** **14 Years**

(21) **Appl. No.:** **29/133,953**

(22) **Filed:** **Dec. 13, 2000**

(51) **LOC (7) Cl.** ..... **12-16**

(52) **U.S. Cl.** ..... **D12/414**

(58) **Field of Search** ..... D12/406, 414,  
D12/412, 426, 400, 217; 280/757-759;  
296/37.6, 37.1; 224/400-403, 404, 42.11,  
42.32, 539-540, 542-543

(56) **References Cited**

**U.S. PATENT DOCUMENTS**

- D. 300,734 \* 4/1989 Kruitbosch ..... D12/426
- D. 312,599 \* 12/1990 Johnston ..... D12/414
- D. 392,246 \* 3/1998 Anderson ..... D12/400
- D. 392,938 \* 3/1998 Sylvester ..... D12/426
- D. 407,059 \* 3/1999 Henry ..... D12/217

- D. 422,960 \* 4/2000 Henry ..... D12/217
- 4,772,165 \* 9/1988 Bartkus ..... 224/42.11
- 4,971,356 \* 11/1990 Cook ..... 280/759
- 6,062,452 \* 5/2000 Kauskey ..... 224/539
- 6,079,741 \* 6/2000 Maver ..... 280/759

\* cited by examiner

*Primary Examiner*—Stacia Cadmus

(74) *Attorney, Agent, or Firm*—Goldstein Law Offices P.C.

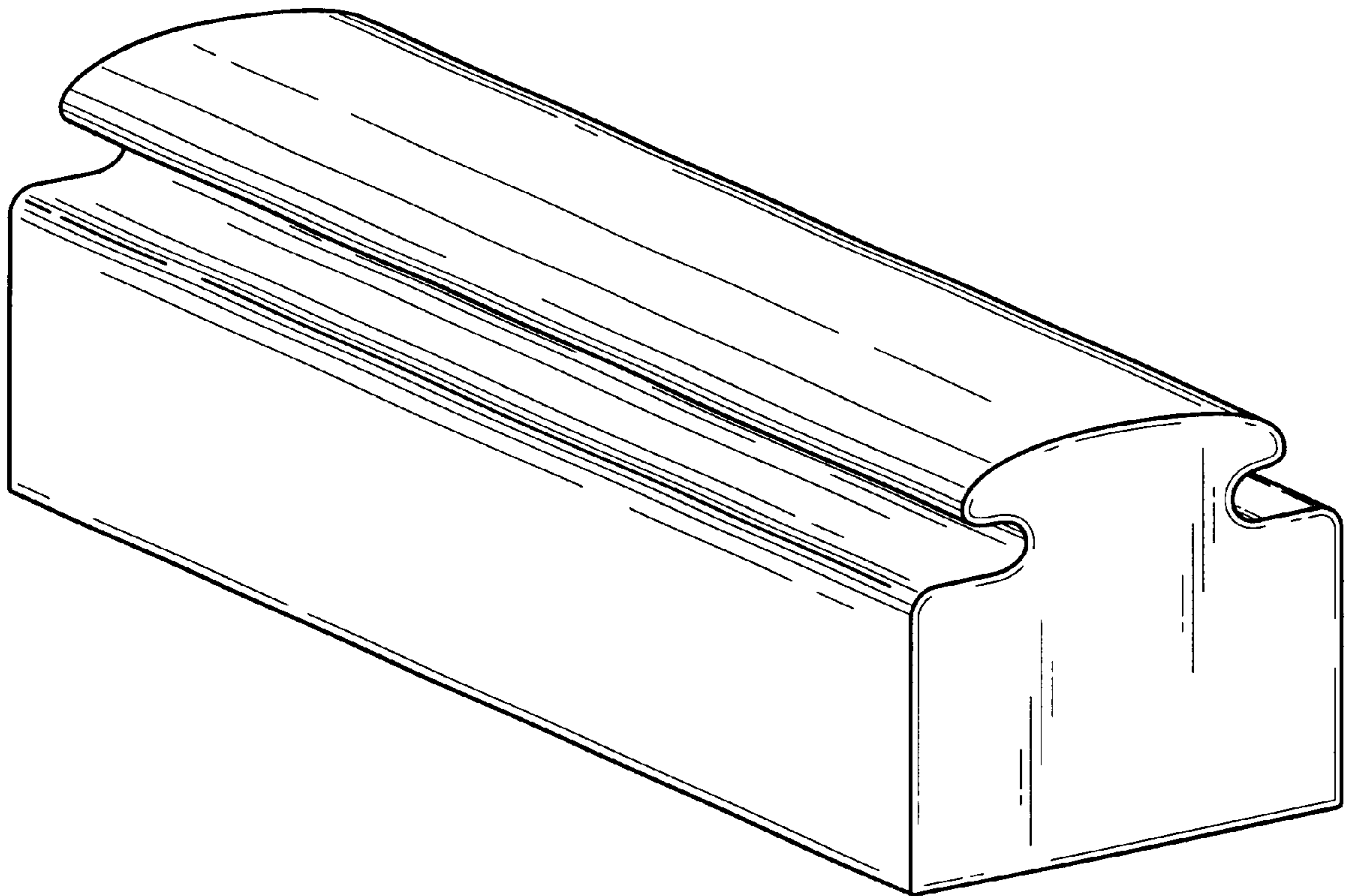
(57) **CLAIM**

The ornamental design for a blocking device for use in a vehicle, as shown and described.

**DESCRIPTION**

FIG. 1 is a perspective view of a blocking device for use in a vehicle, showing my new design;  
 FIG. 2 is a left side elevational view thereof, the right side elevational view being a mirror image of the left side view;  
 FIG. 3 is a front elevational view thereof, the rear elevational view being a mirror image of the front view;  
 FIG. 4 is a top plan view thereof; and,  
 FIG. 5 is a bottom plan view thereof.

**1 Claim, 2 Drawing Sheets**



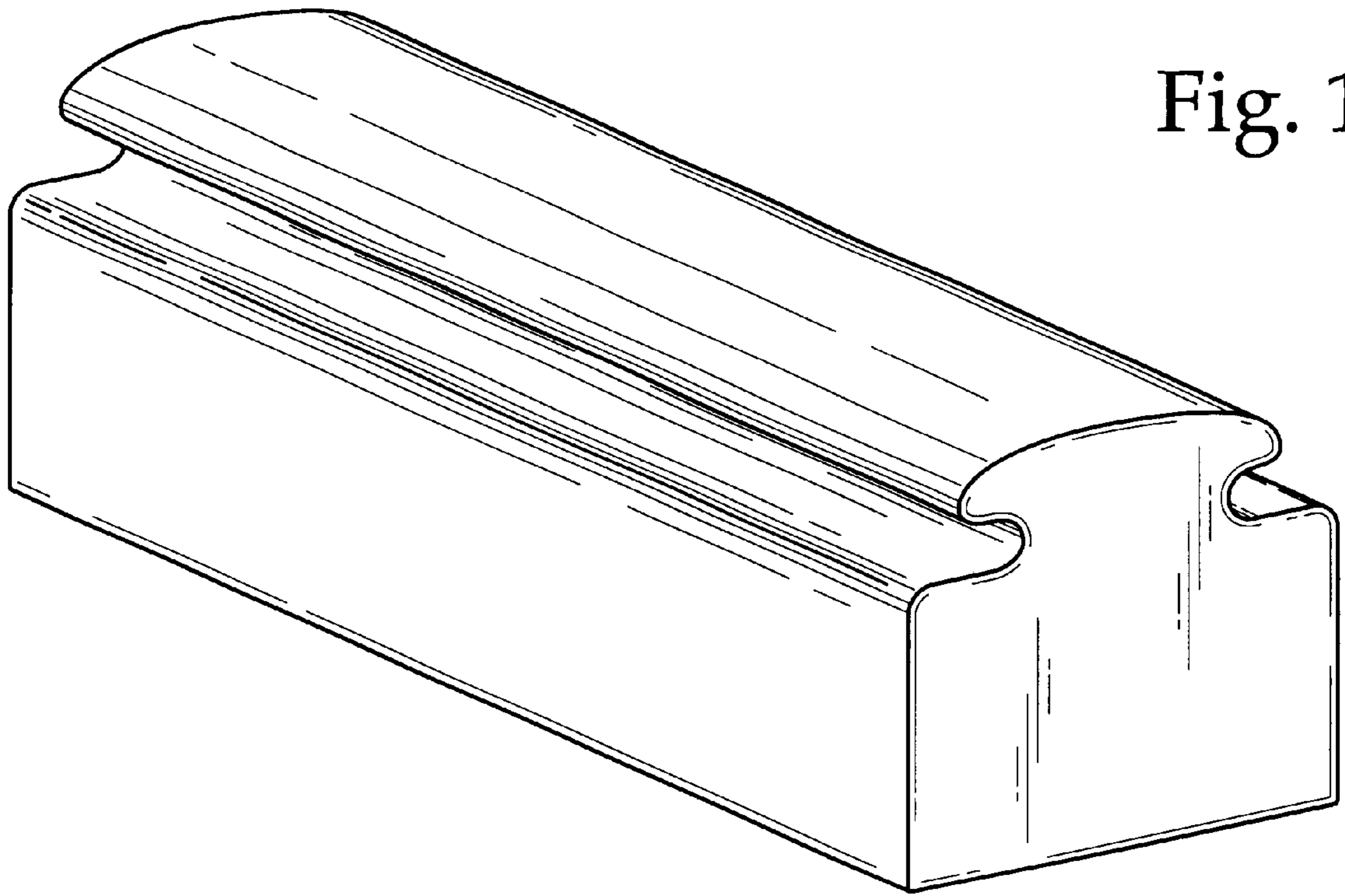
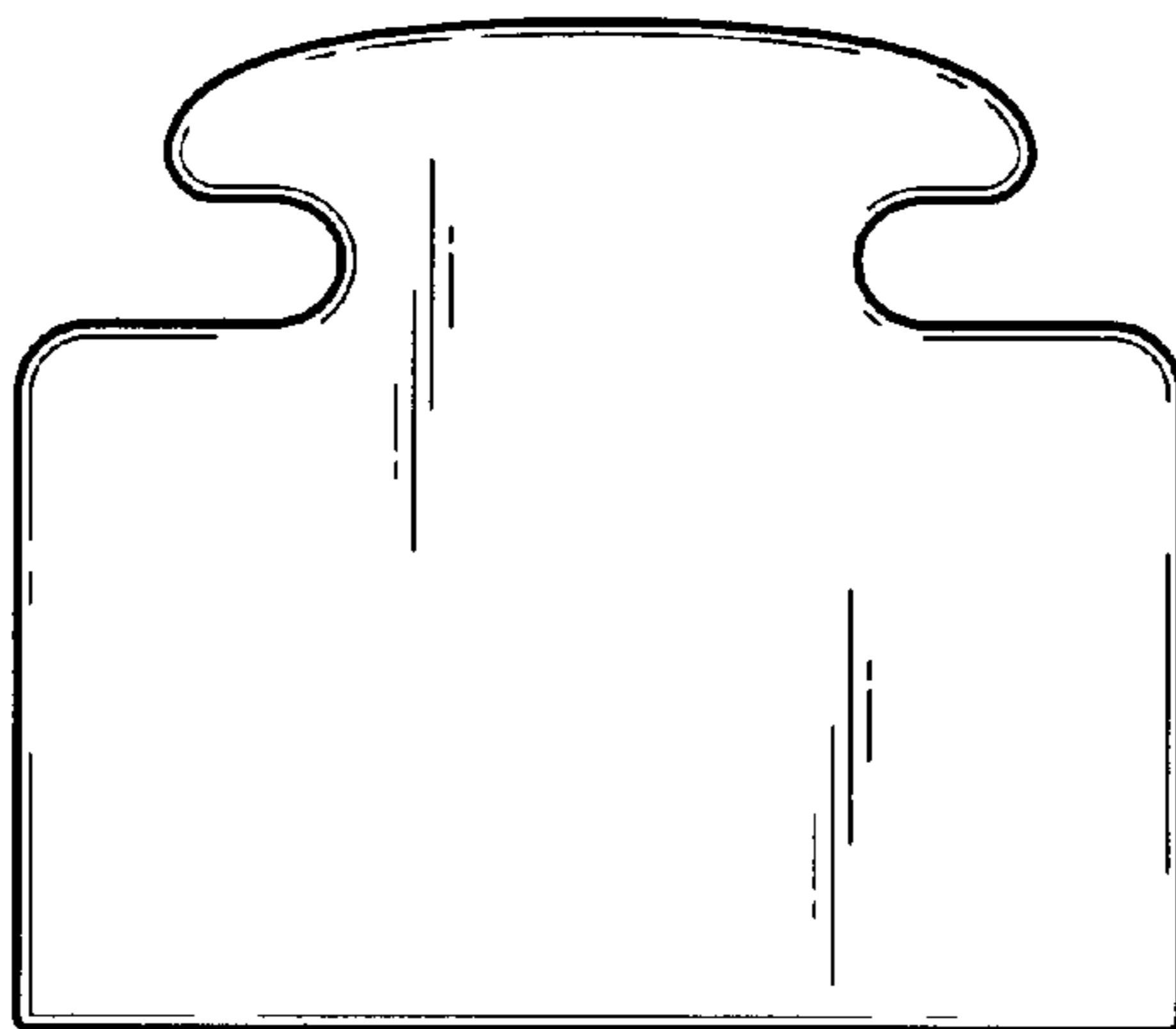


Fig. 1

Fig. 2



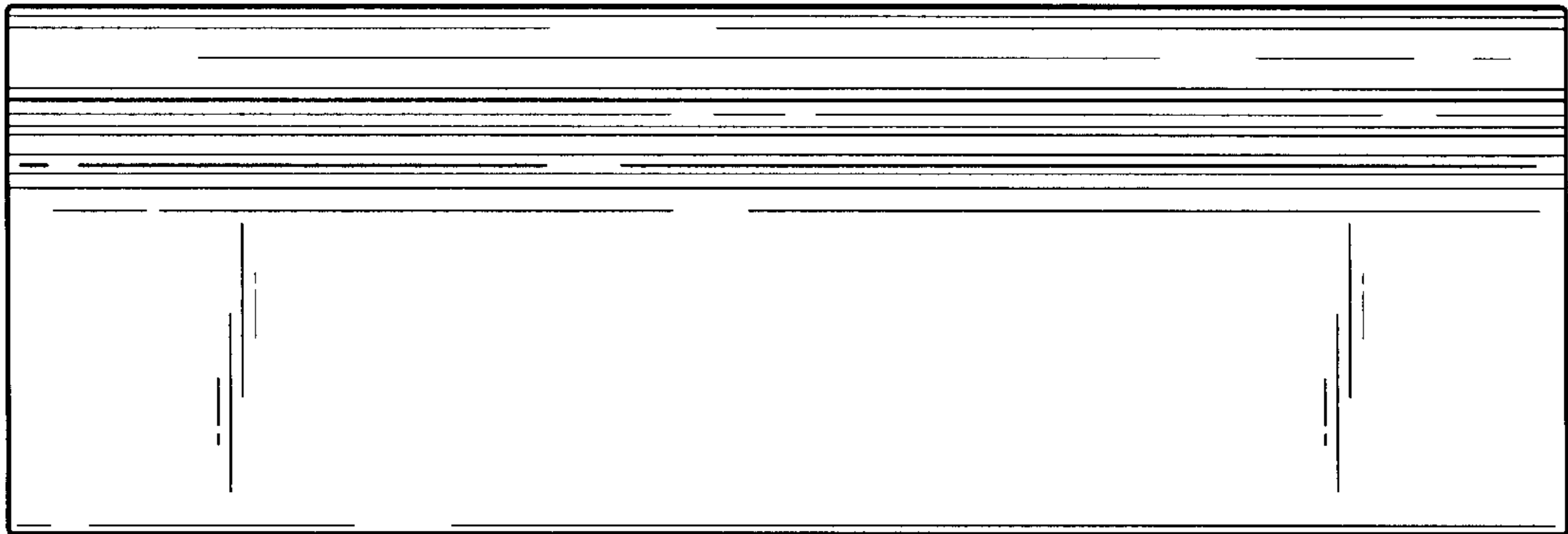


Fig. 3

Fig. 4

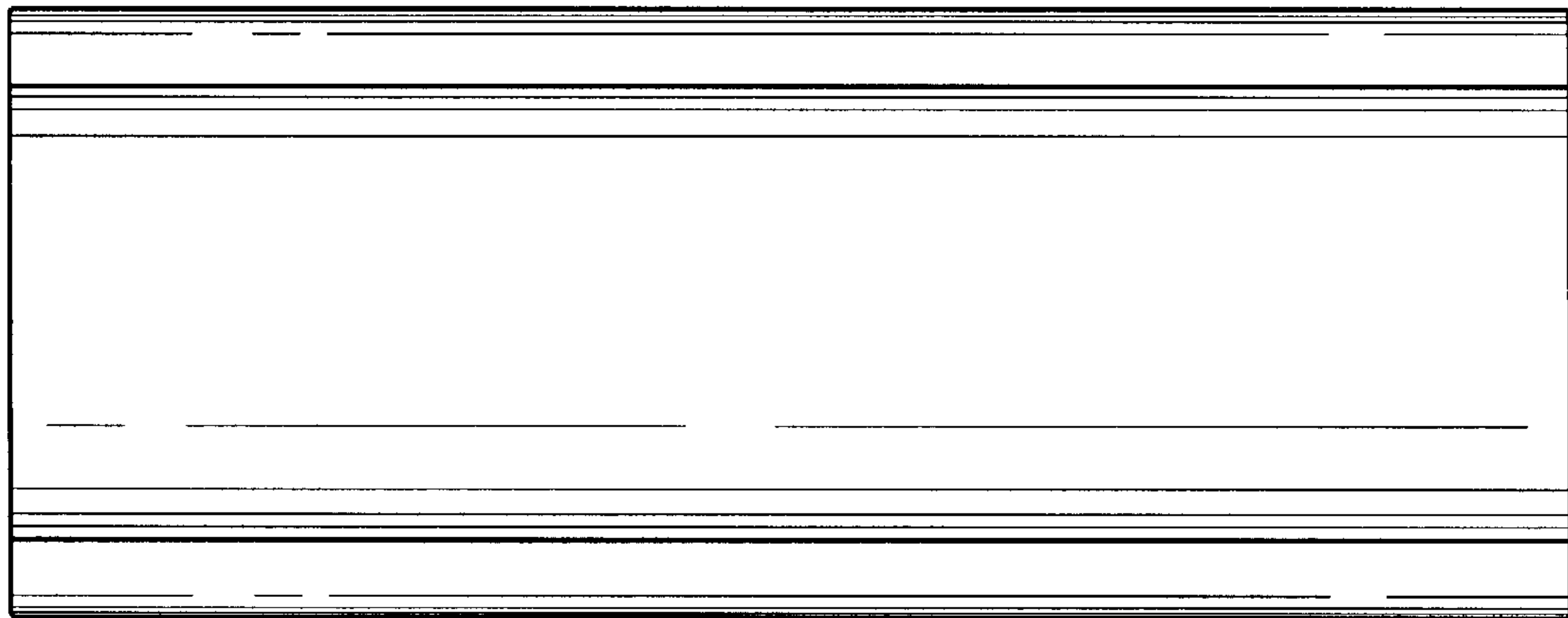


Fig. 5

