



US00D449574B1

(12) **United States Design Patent**
Vincent et al.

(10) **Patent No.:** **US D449,574 S**

(45) **Date of Patent:** **** Oct. 23, 2001**

(54) **SPORTS BAG FOR AN ALL TERRAIN VEHICLE**

(75) Inventors: **Pascal Vincent**, Valcourt; **Éric Fournier**, Orford, both of (CA)

(73) Assignee: **Bombardier Inc.**, Valcourt (CA)

(**) Term: **14 Years**

(21) Appl. No.: **29/129,704**

(22) Filed: **Sep. 21, 2000**

(51) **LOC (7) Cl.** **12-16**

(52) **U.S. Cl.** **D12/409**

(58) **Field of Search** D12/114, 406, D12/407, 409, 410; 280/288.4; 224/400, 401, 412, 413, 419-439, 488, 42.11; 296/78.1

(56) **References Cited**

U.S. PATENT DOCUMENTS

5,573,162 * 11/1996 Spencer et al. 224/401

* cited by examiner

Primary Examiner—Alan P. Douglas

Assistant Examiner—Linda Brooks

(74) *Attorney, Agent, or Firm*—Pillsbury Winthrop LLP

(57) **CLAIM**

The ornamental design for a sports bag for an all terrain vehicle, as shown and described.

DESCRIPTION

FIG. 1 is a left side view of a sports bag for an all terrain vehicle, with relevant portions of the all terrain vehicle shown in broken lines;

FIG. 2 is a top plan view of the bag shown in FIG. 1, also showing relevant portions of the all terrain vehicle in broken lines;

FIG. 3 is a top plan view of the bag shown in FIG. 2;

FIG. 4 is a front view of the bag shown in FIG. 3;

FIG. 5 is a bottom view of the bag shown in FIG. 3;

FIG. 6 is a rear view of the bag shown in FIG. 3;

FIG. 7 is a right side view of the bag shown in FIG. 3;

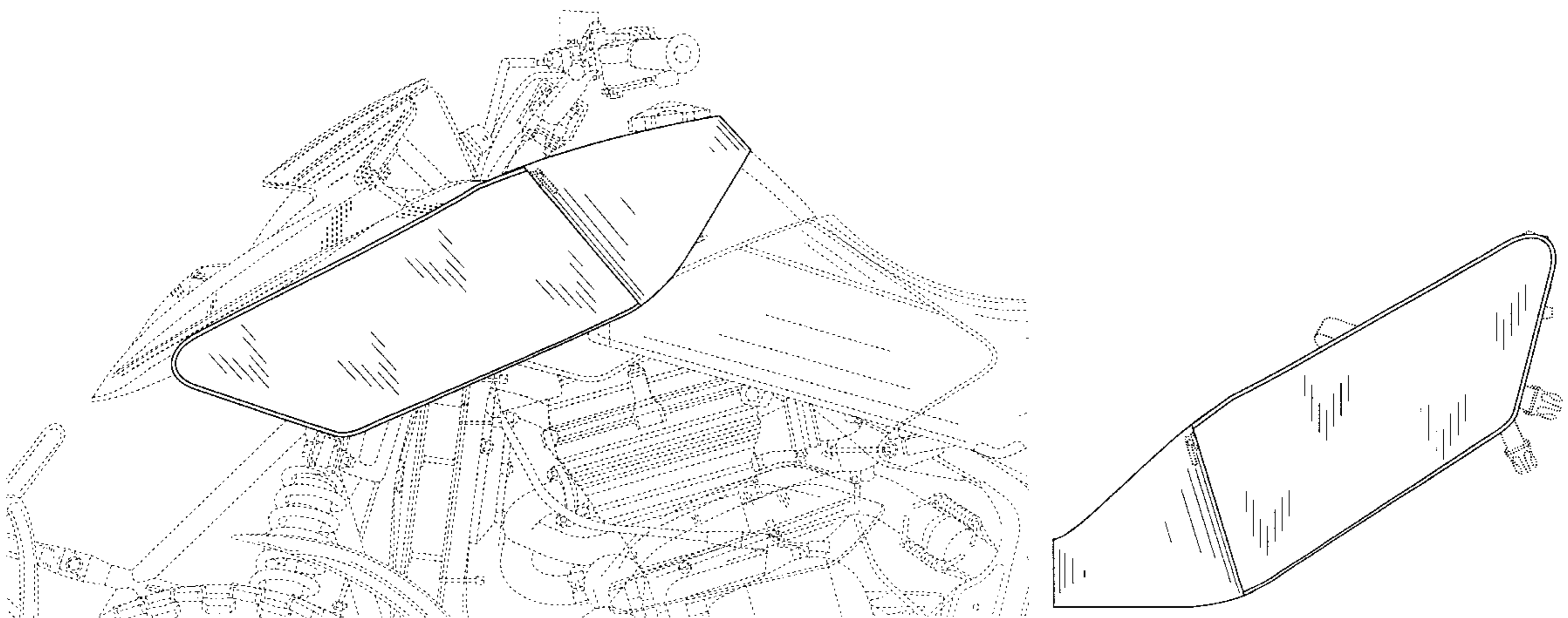
FIG. 8 is a left side view of the bag shown in FIG. 3;

FIG. 9 is a sectional view along line IX—IX of FIG. 3; and,

FIG. 10 is a sectional view along line X—X of FIG. 5.

Where included, broken lines showing environment or structure are for illustrative purposes only and form no part of the claimed design.

1 Claim, 6 Drawing Sheets



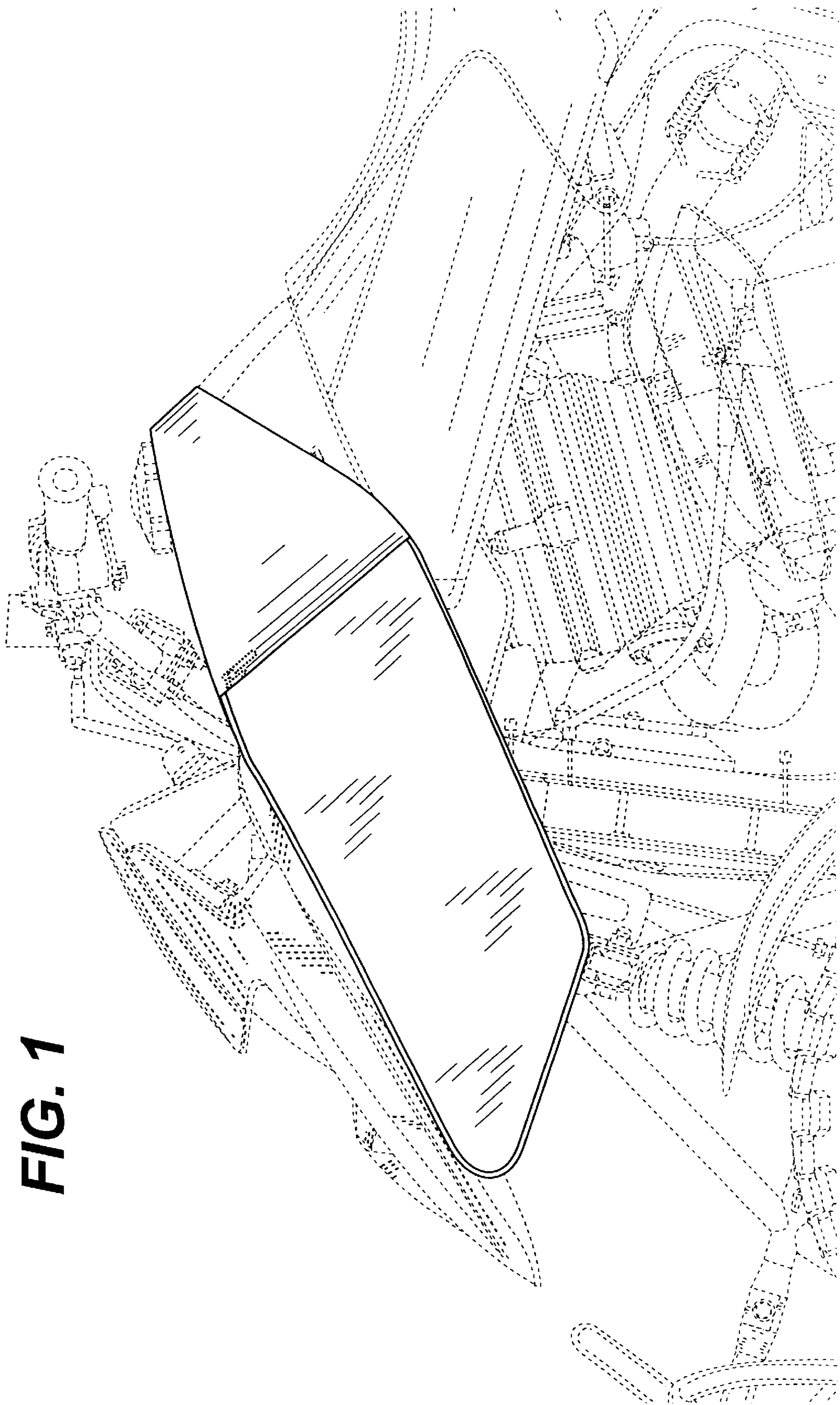


FIG. 1

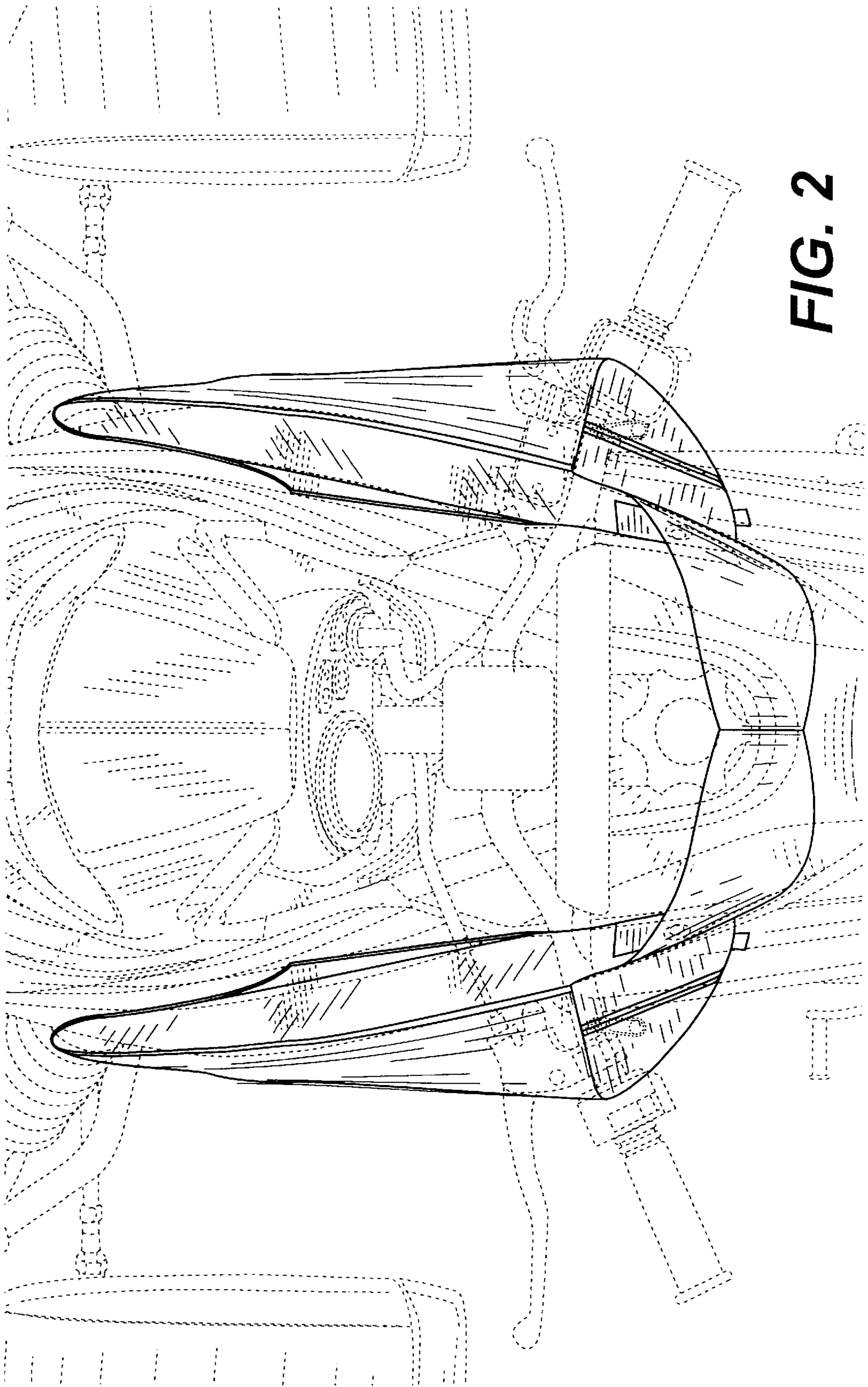


FIG. 2

FIG. 3

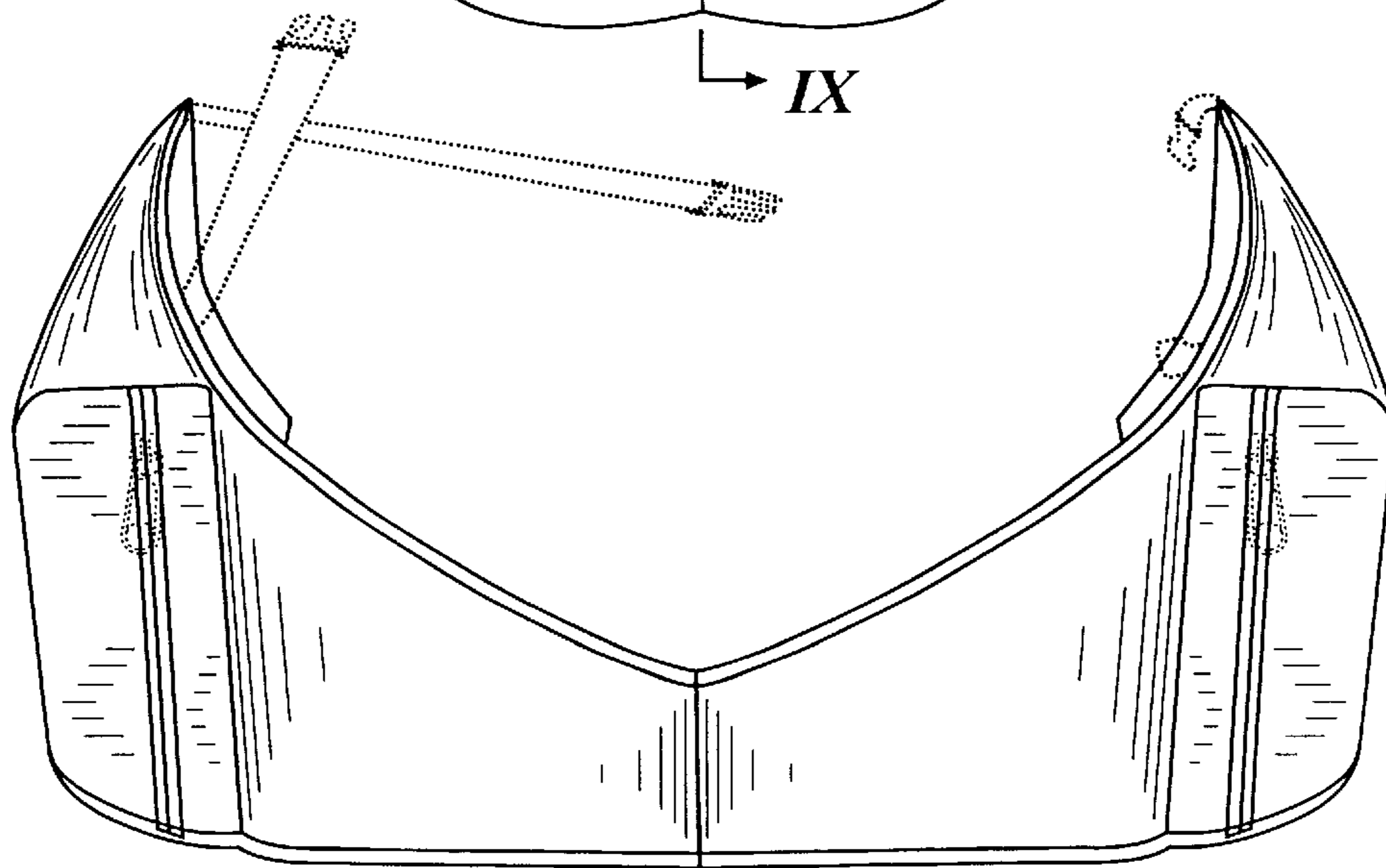
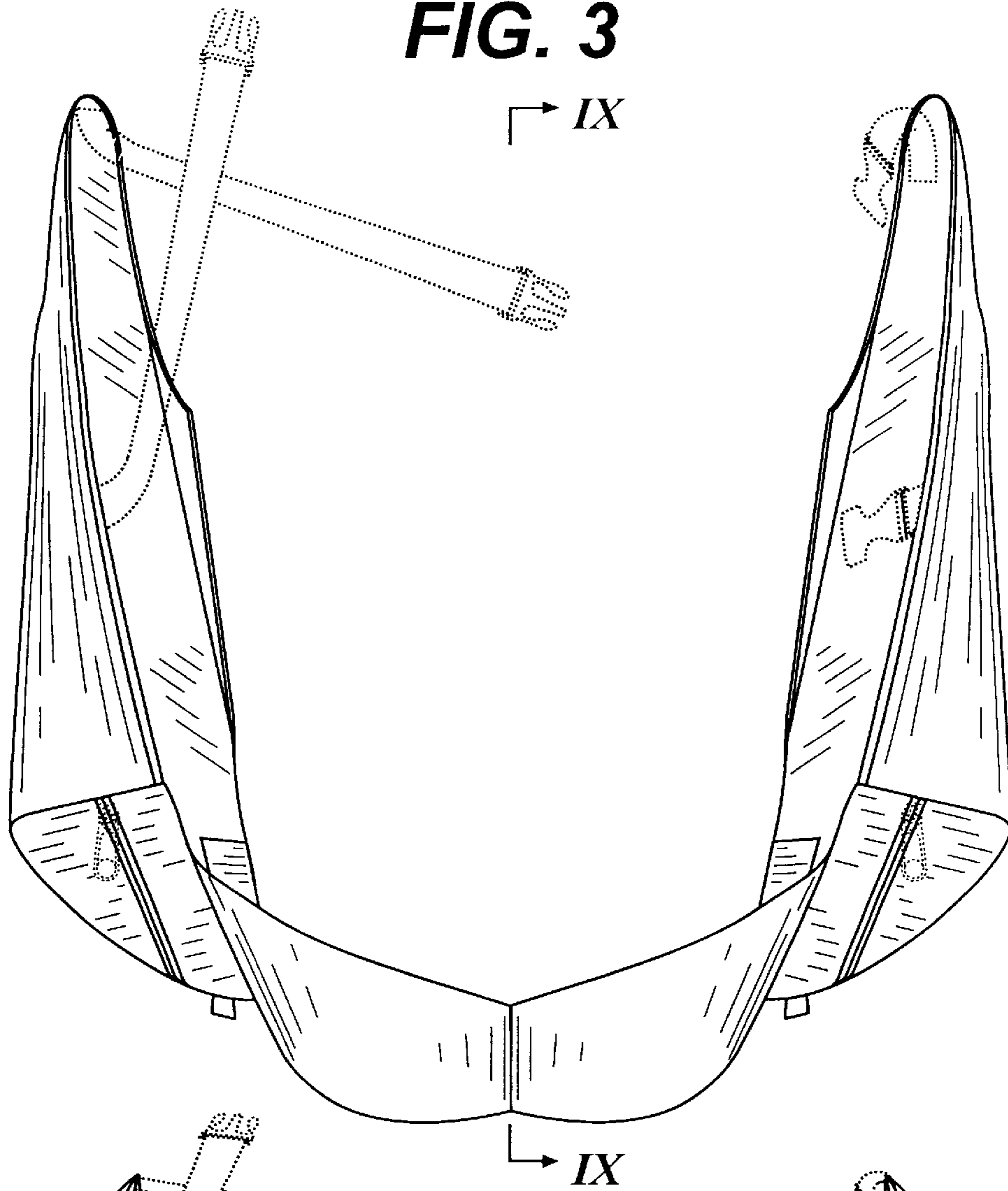


FIG. 4

FIG. 5

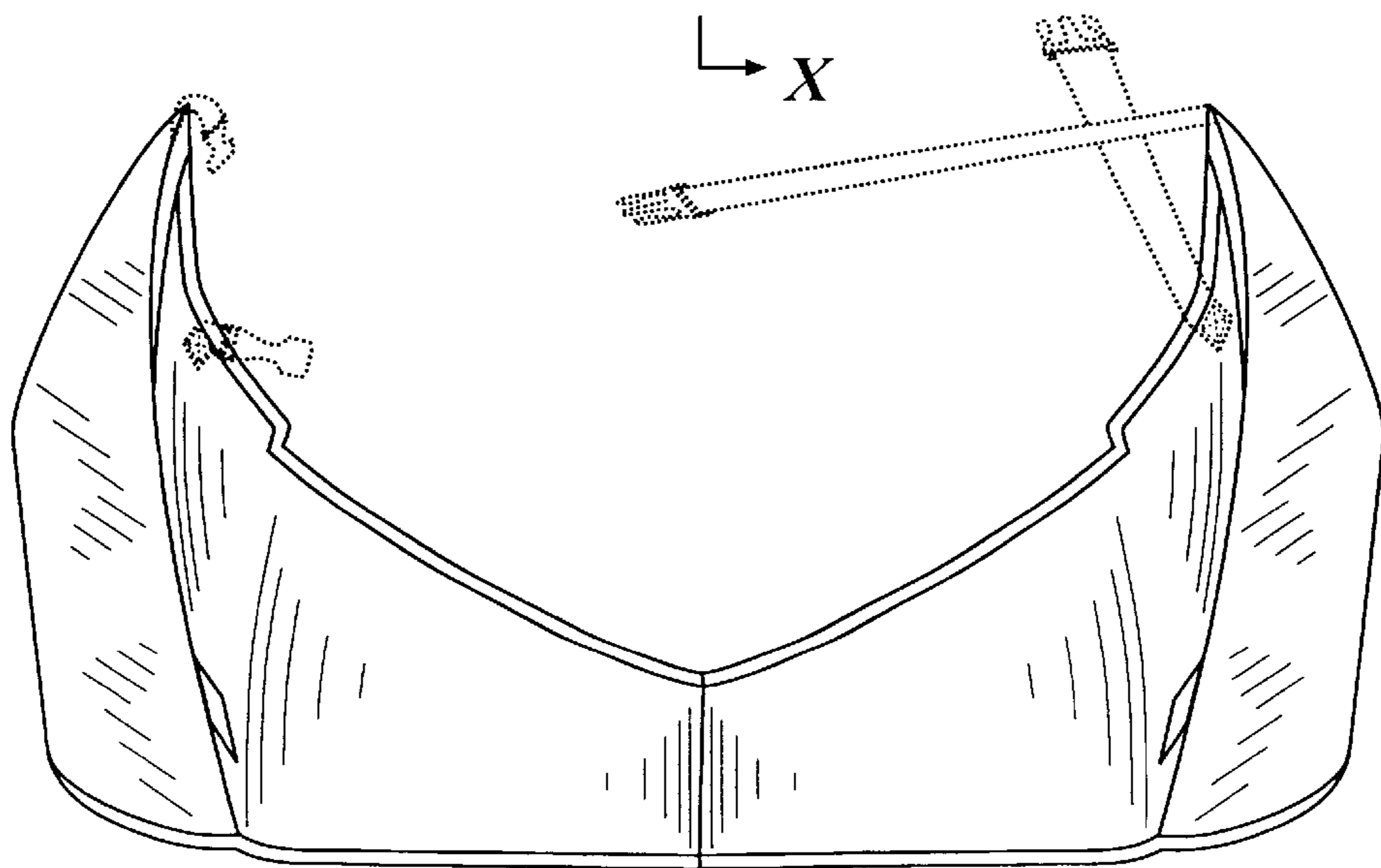
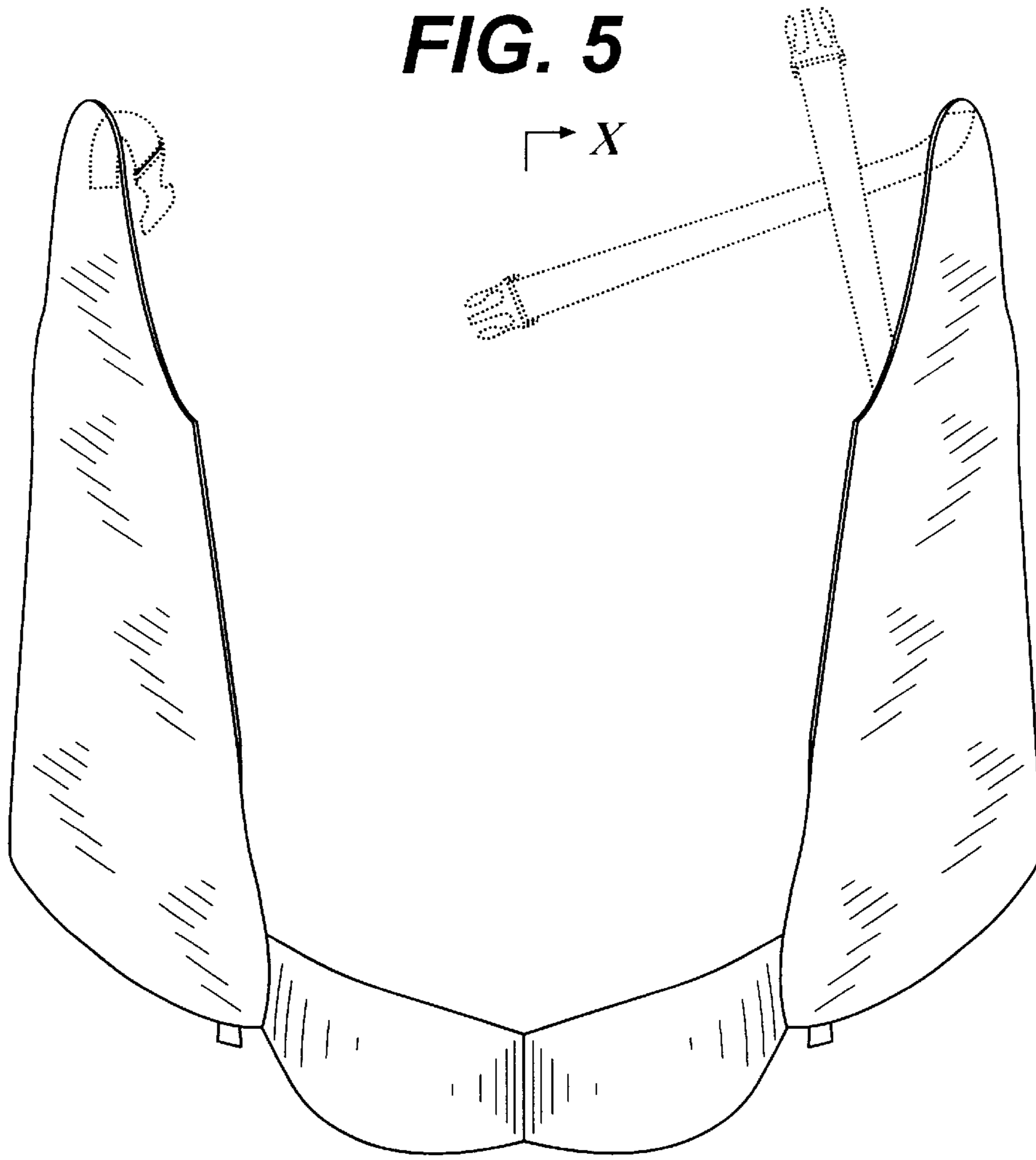


FIG. 6

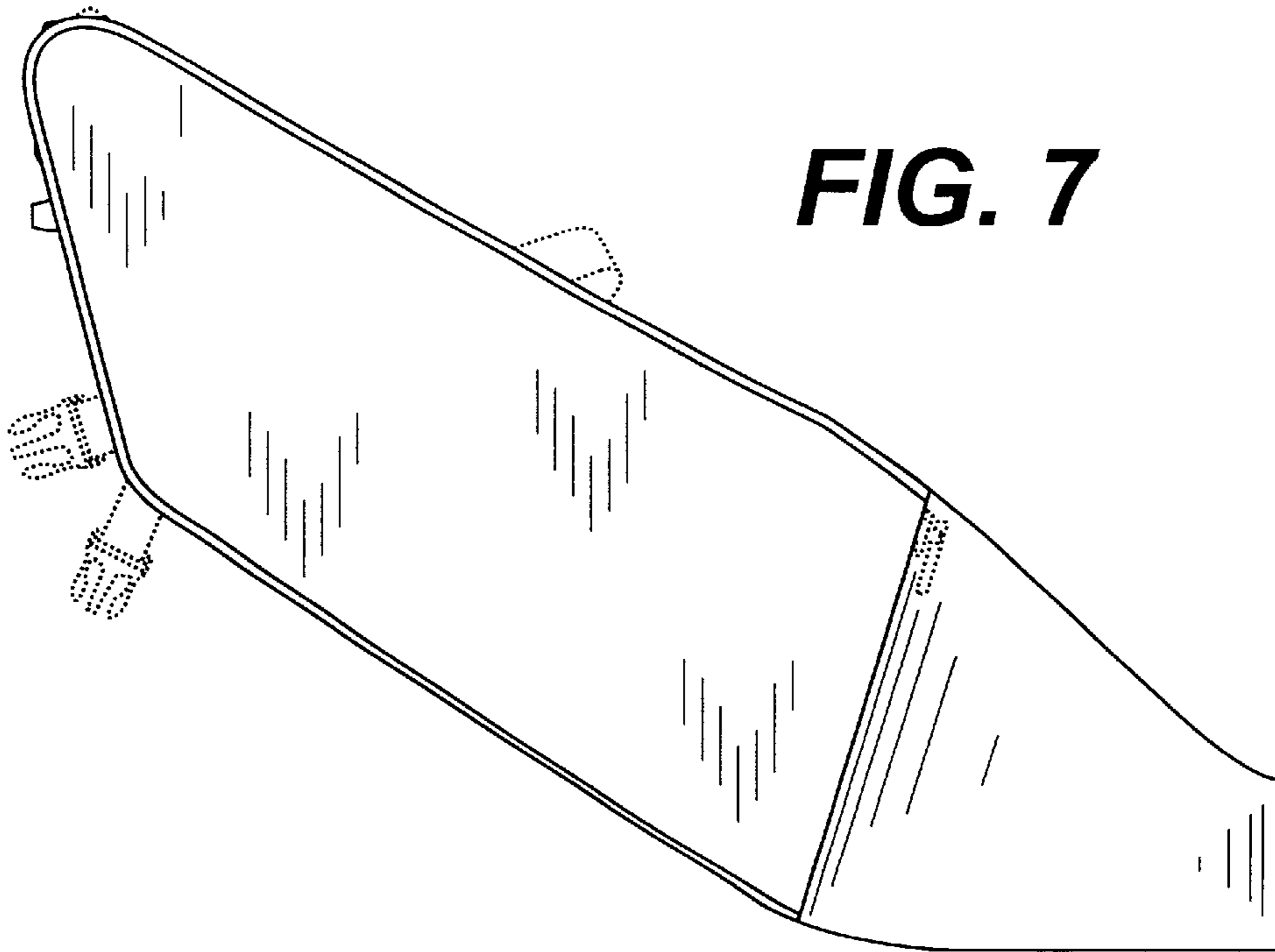


FIG. 7

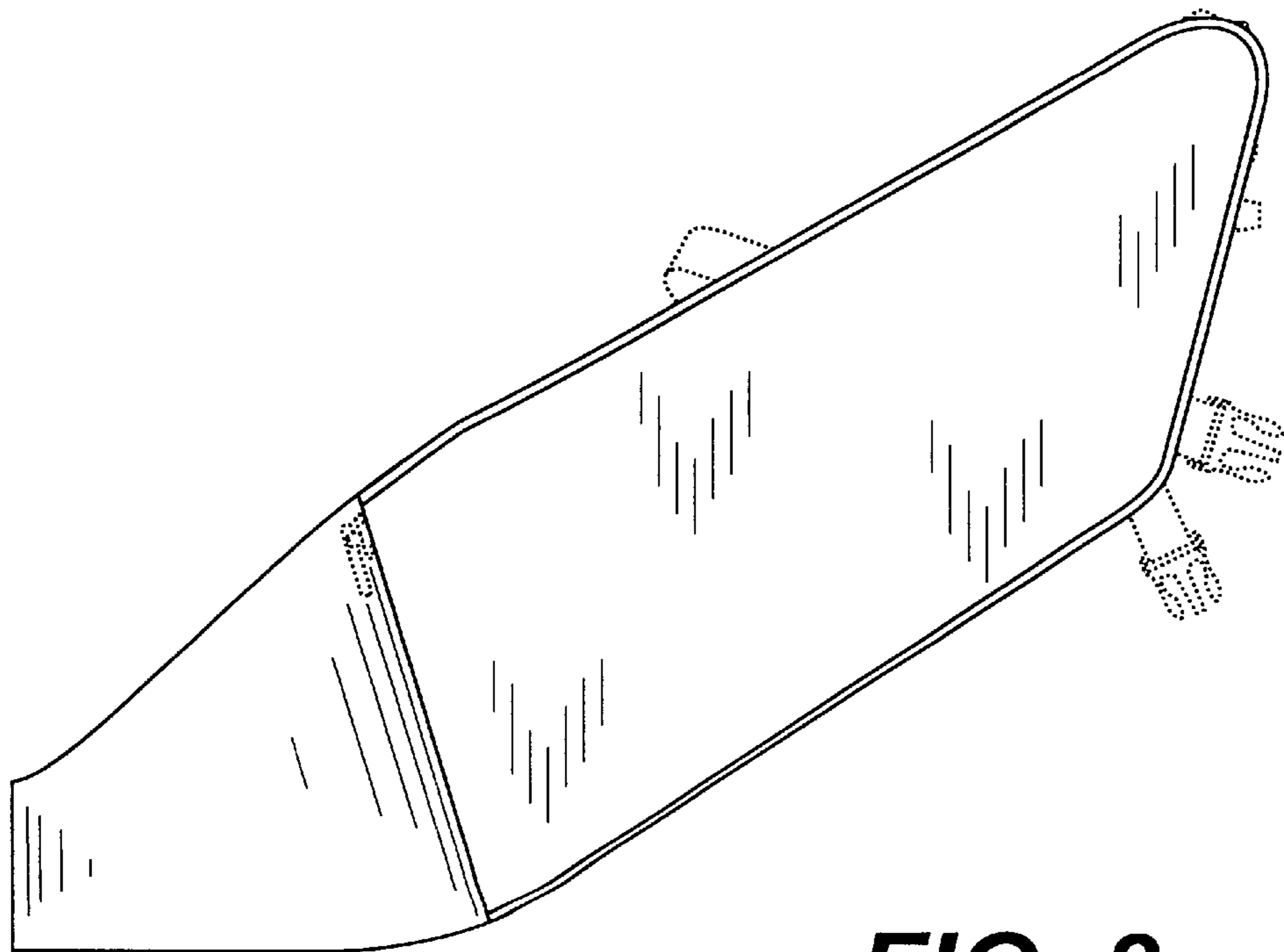


FIG. 8

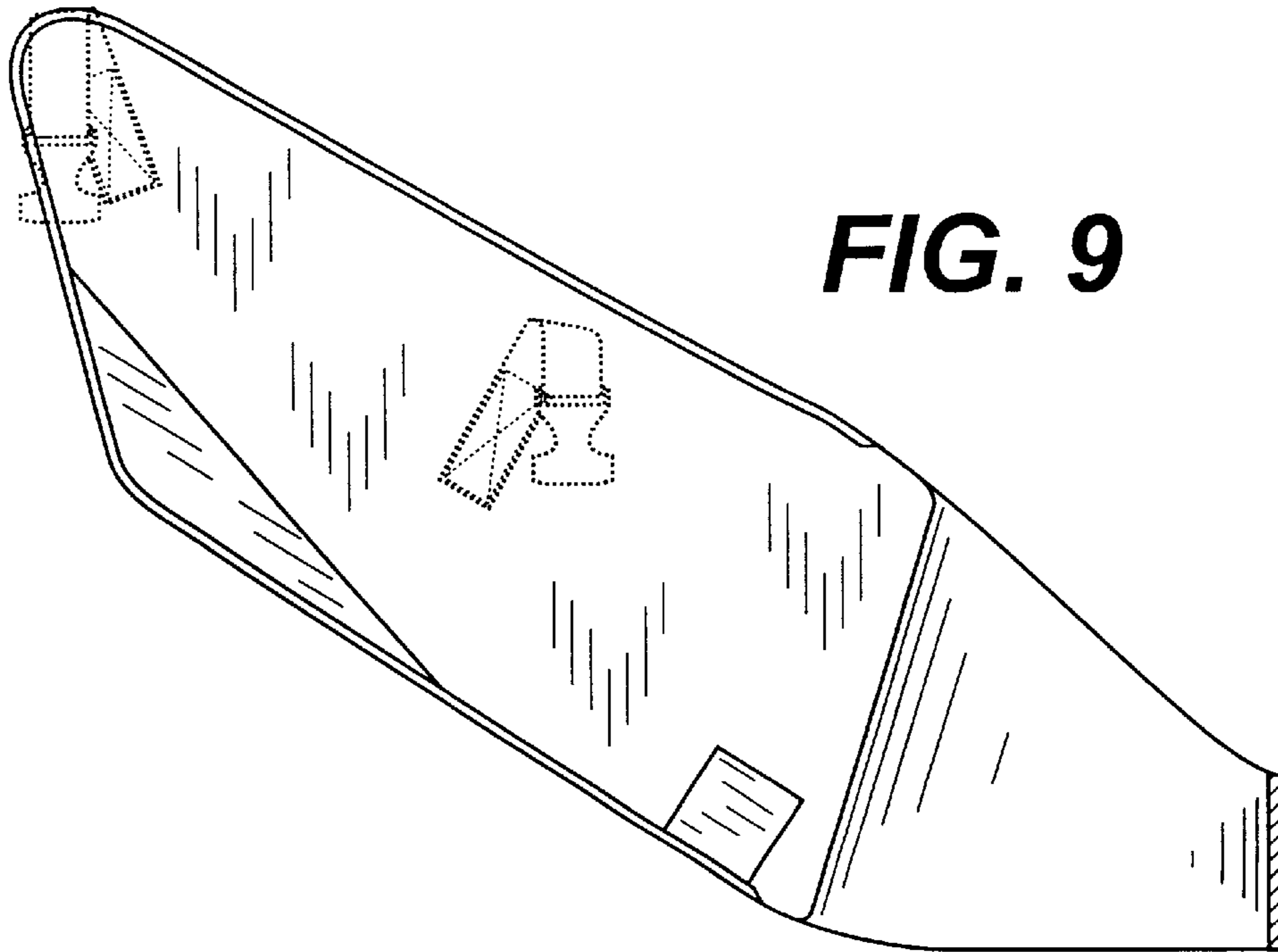


FIG. 9

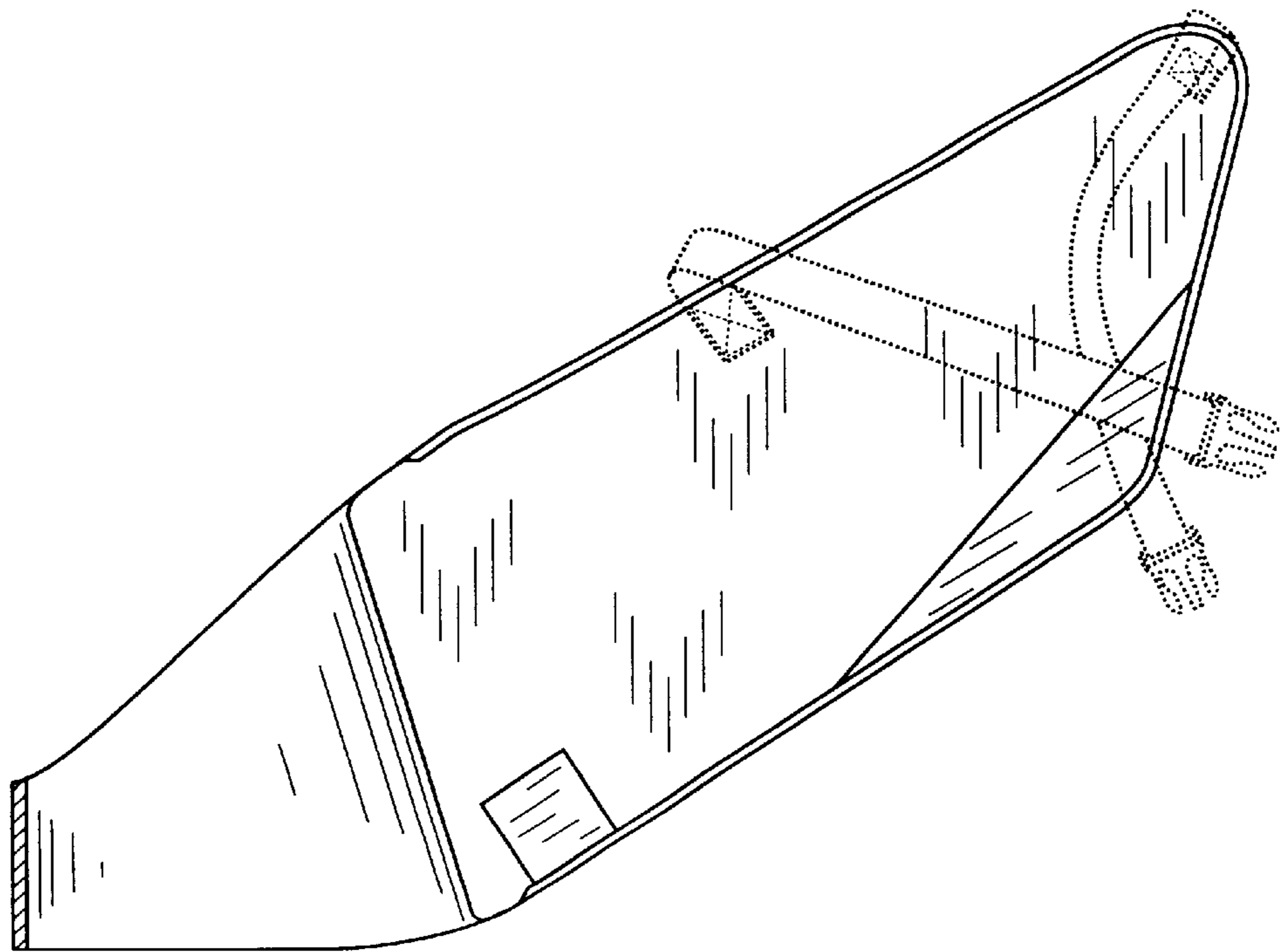


FIG. 10