



US00D449564B1

(12) **United States Design Patent**
Platt

(10) **Patent No.:** **US D449,564 S**

(45) **Date of Patent:** **** Oct. 23, 2001**

(54) **CUFF LINK**

(75) **Inventor:** **Mark R. Platt**, London (GB)

(73) **Assignee:** **The Phoenix Luxury Co. Limited**,
London (GB)

(**) **Term:** **14 Years**

(21) **Appl. No.:** **29/134,837**

(22) **Filed:** **Dec. 28, 2000**

(30) **Foreign Application Priority Data**

Jun. 28, 2000 (GB) 2093800

(51) **LOC (7) Cl.** **02-07**

(52) **U.S. Cl.** **D11/222**

(58) **Field of Search** D11/222, 223,
D11/228; 24/90.1, 91, 92, 90, 100; D8/382

(56) **References Cited**

U.S. PATENT DOCUMENTS

232,194 * 9/1880 Littlejohn 24/99
D. 344,252 * 2/1994 Choi D11/222

D. 377,919 * 2/1997 Singer et al. D11/222
D. 390,162 * 2/1998 Philipson et al. D11/222
D. 416,189 * 11/1999 Bollman D8/382
2,081,196 * 5/1937 Emsig 24/95

* cited by examiner

Primary Examiner—Louis S. Zarfes
Assistant Examiner—Barbara Wyatt Crawford
(74) *Attorney, Agent, or Firm*—Foley & Lardner

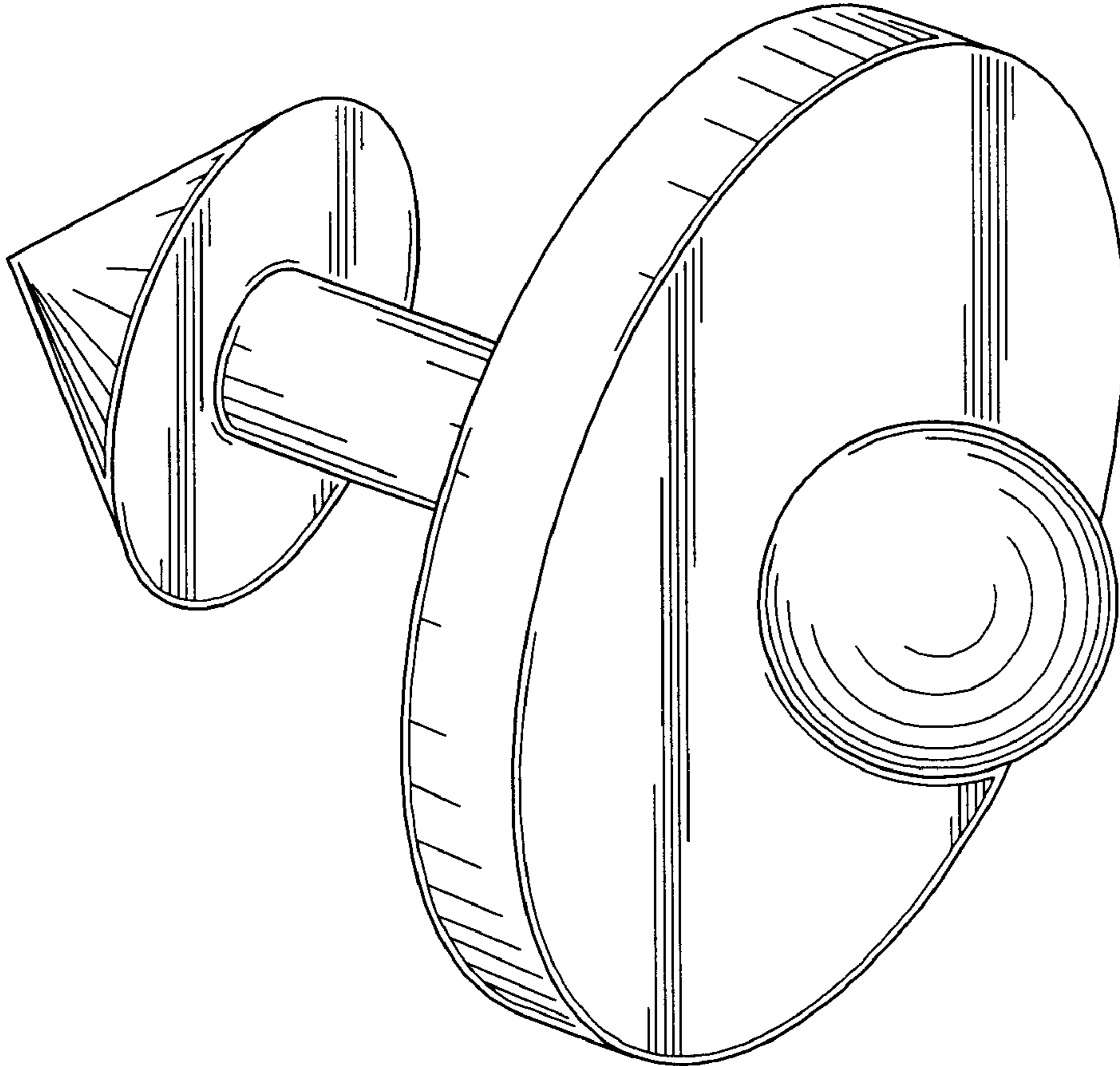
(57) **CLAIM**

The ornamental design for a cuff link, as shown and described.

DESCRIPTION

FIG. 1 is a front perspective view of a cuff link.
FIG. 2 is a rear perspective view of the cuff link.
FIG. 3 is a left side elevation view of the cuff link.
FIG. 4 is a right side elevation view of the cuff link.
FIG. 5 is a top plan view of the cuff link.
FIG. 6 is a bottom plan elevation view of the cuff link.
FIG. 7 is a front elevation view of the cuff link; and,
FIG. 8 is a rear elevation view of the cuff link.

1 Claim, 4 Drawing Sheets



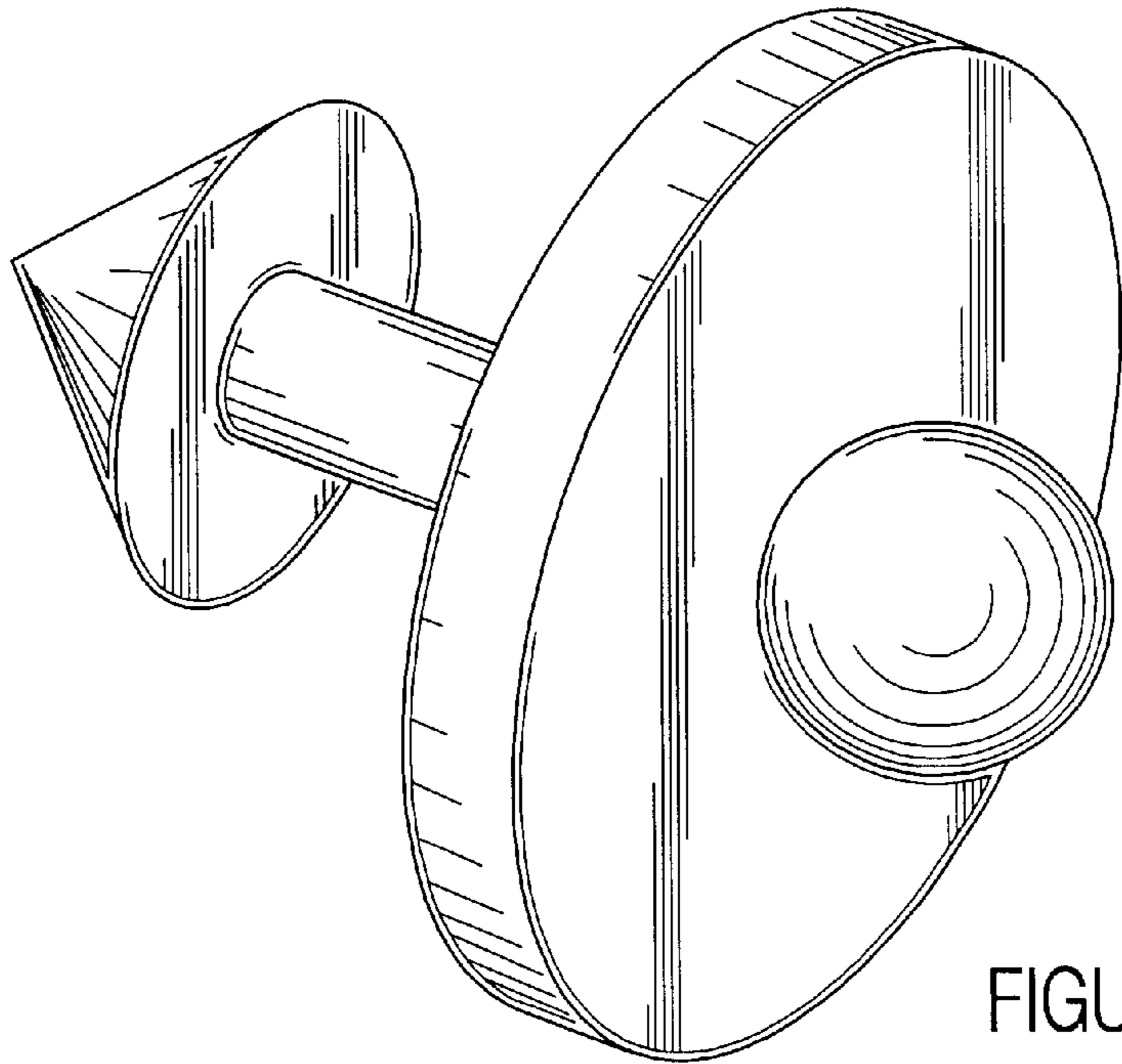


FIGURE 1

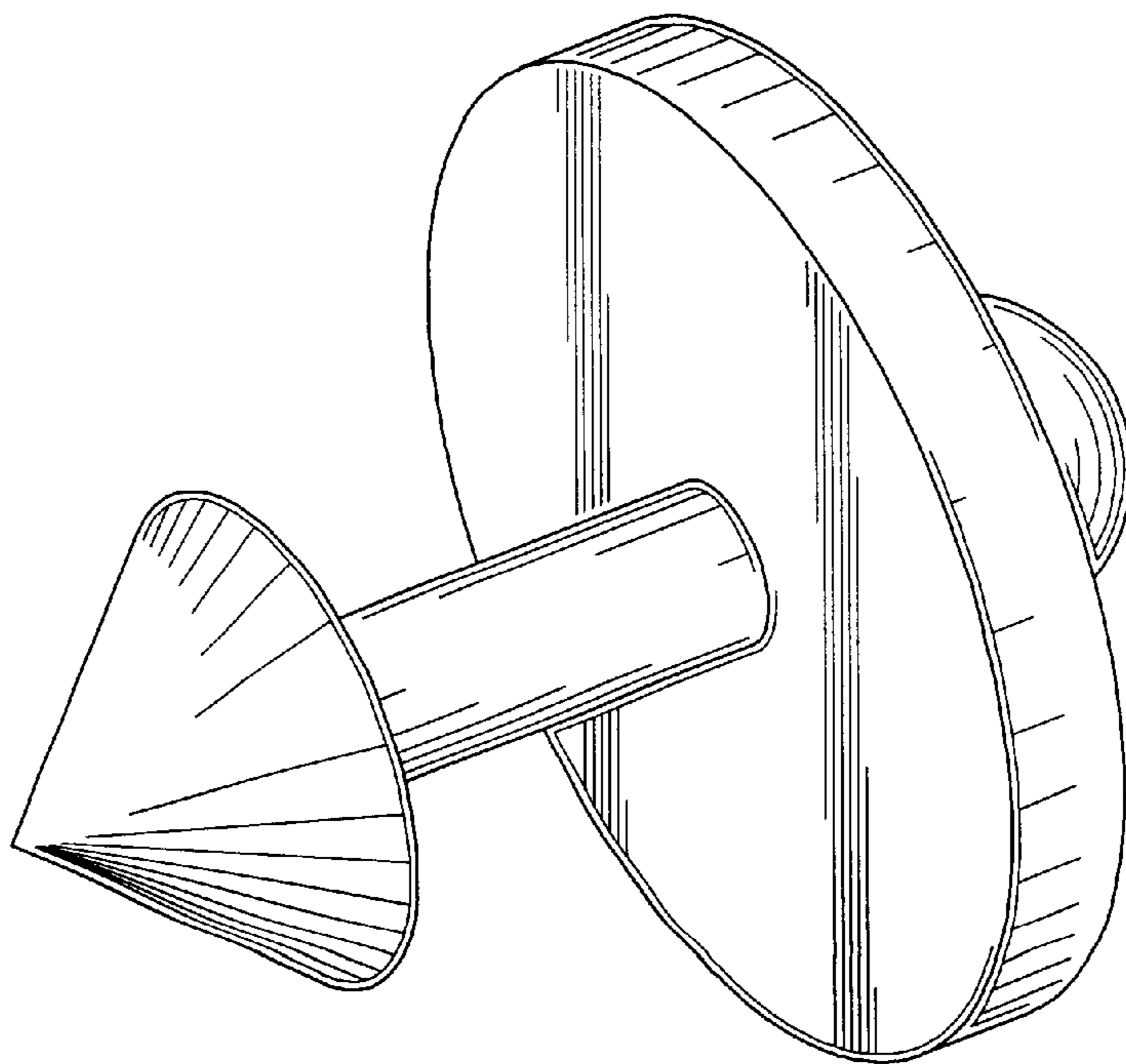
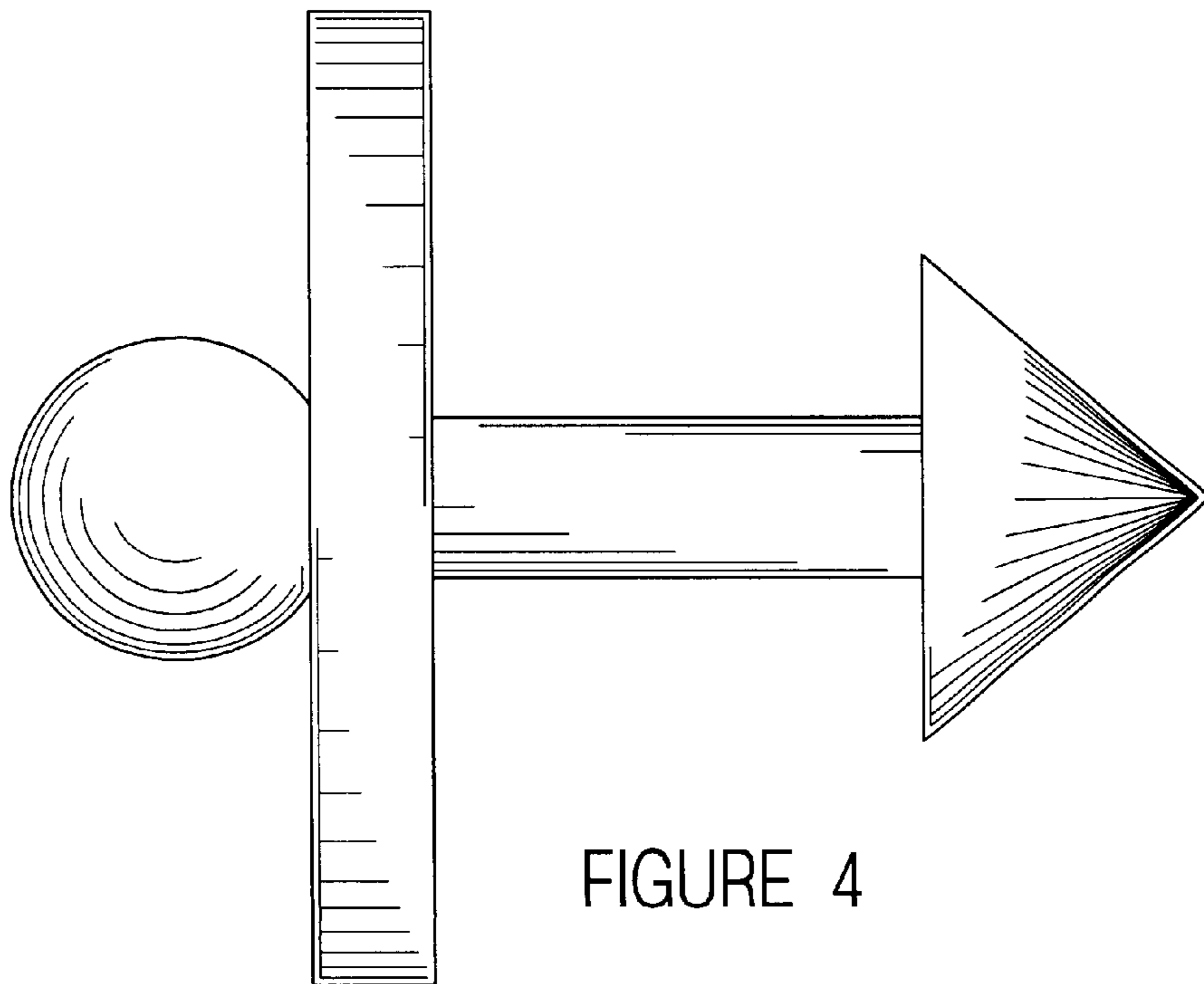
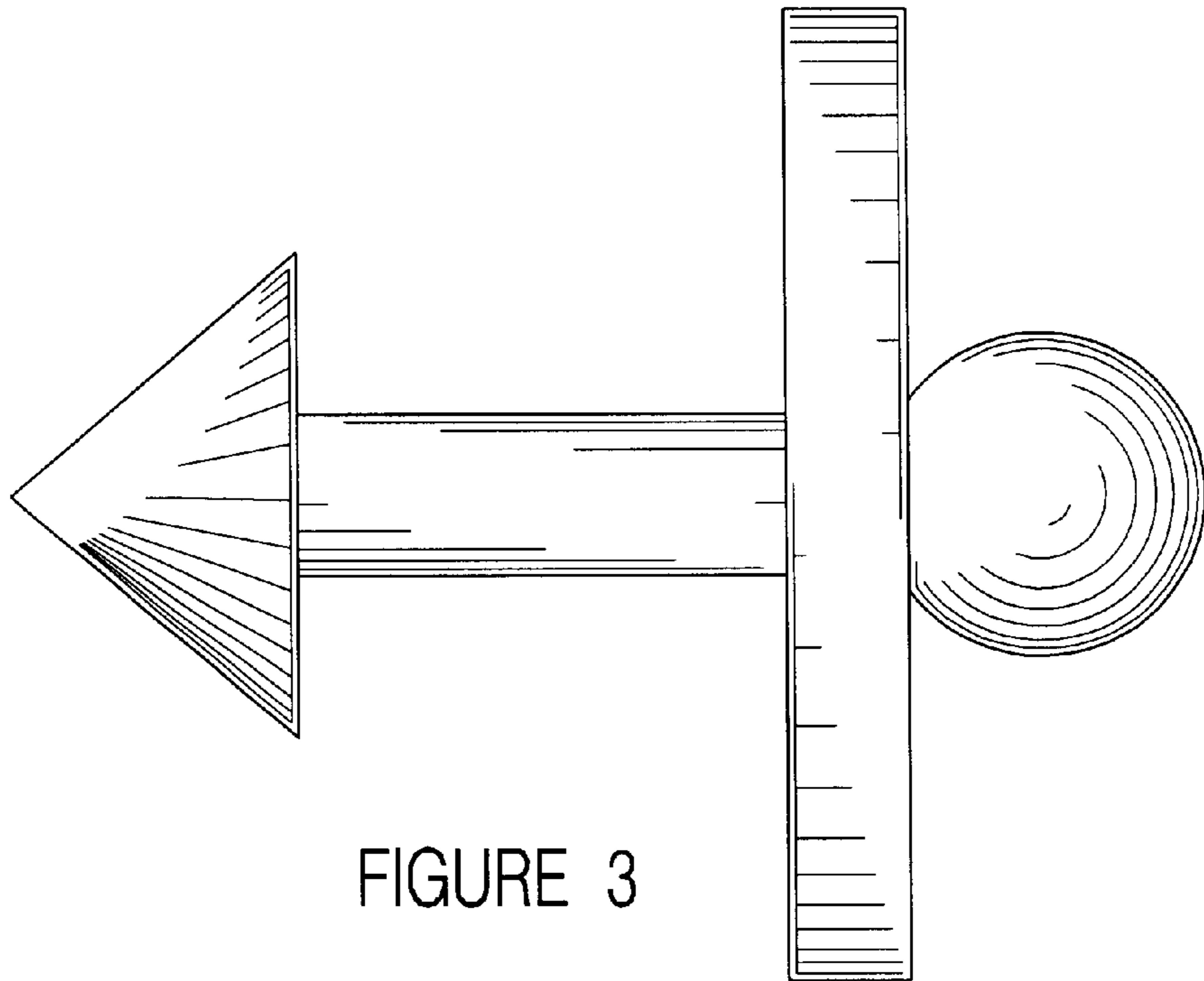


FIGURE 2



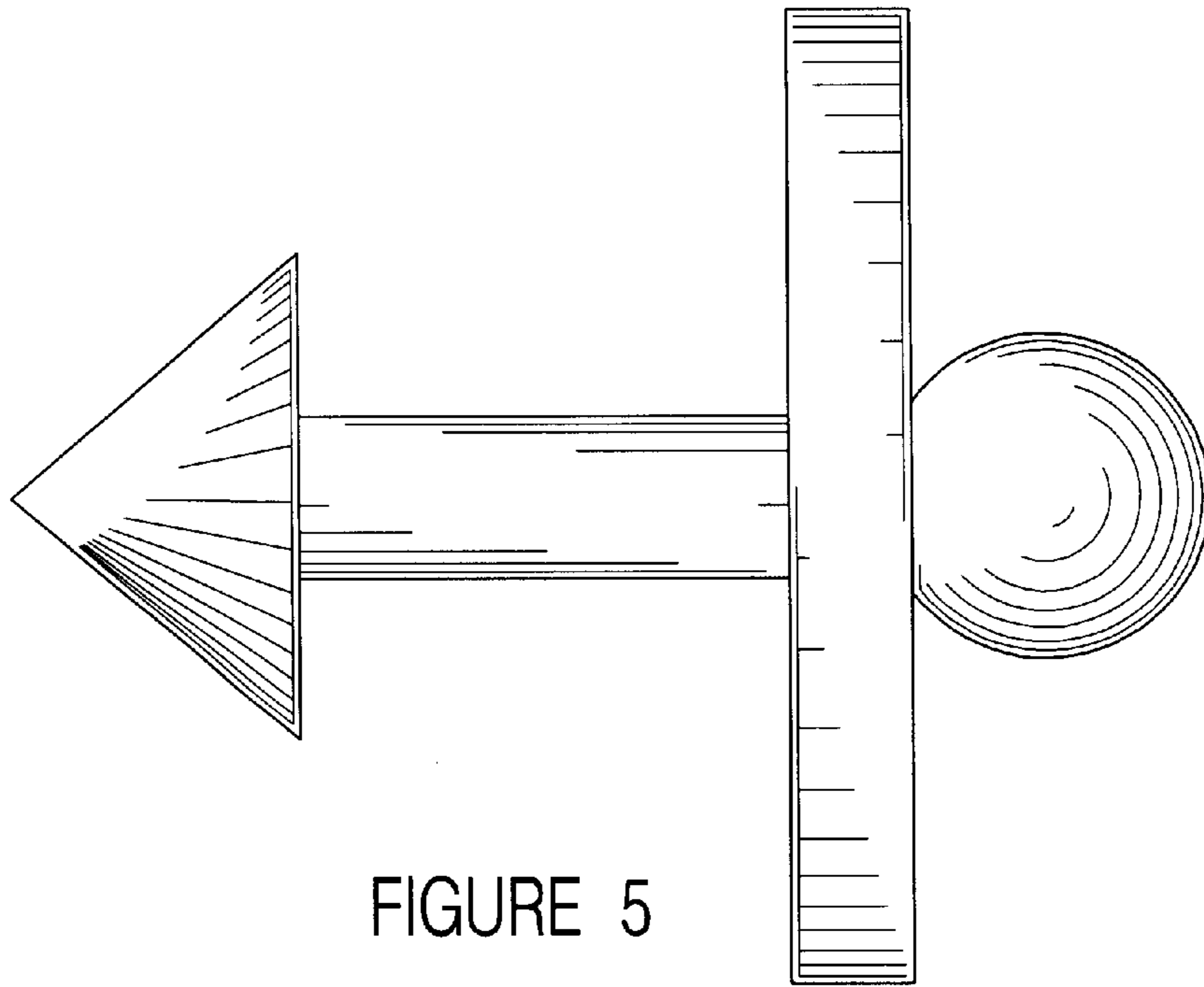


FIGURE 5

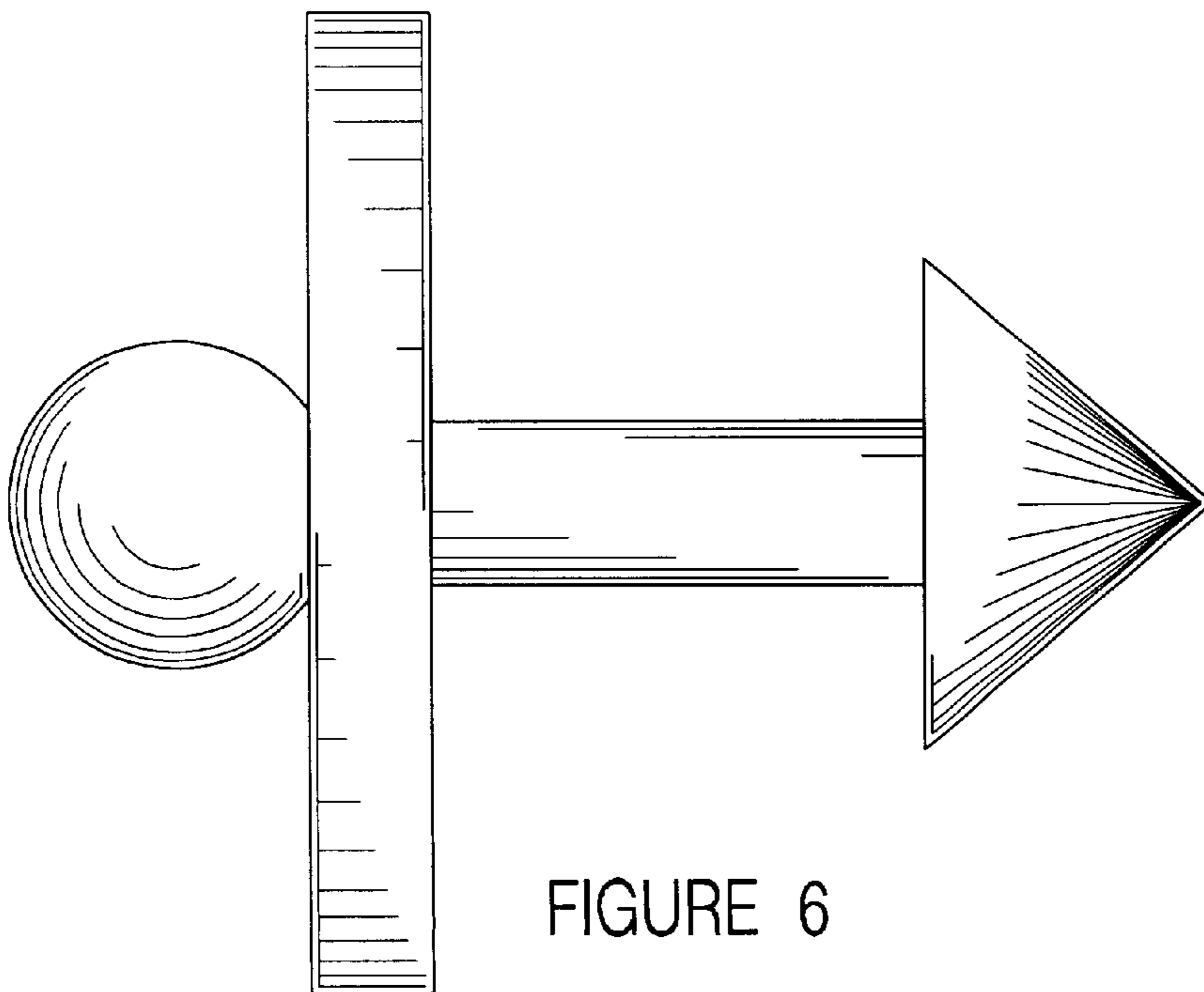


FIGURE 6

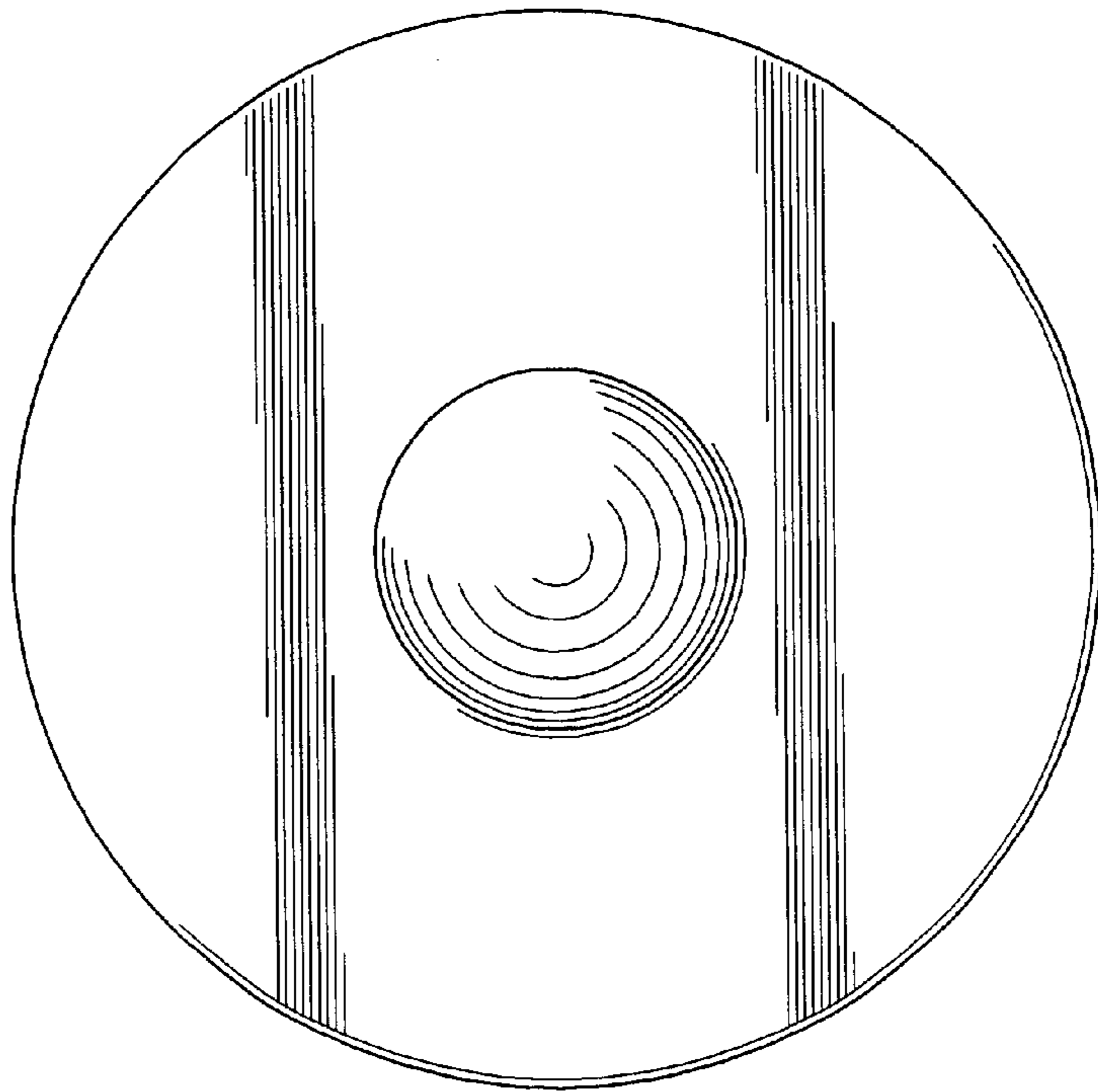


FIGURE 7

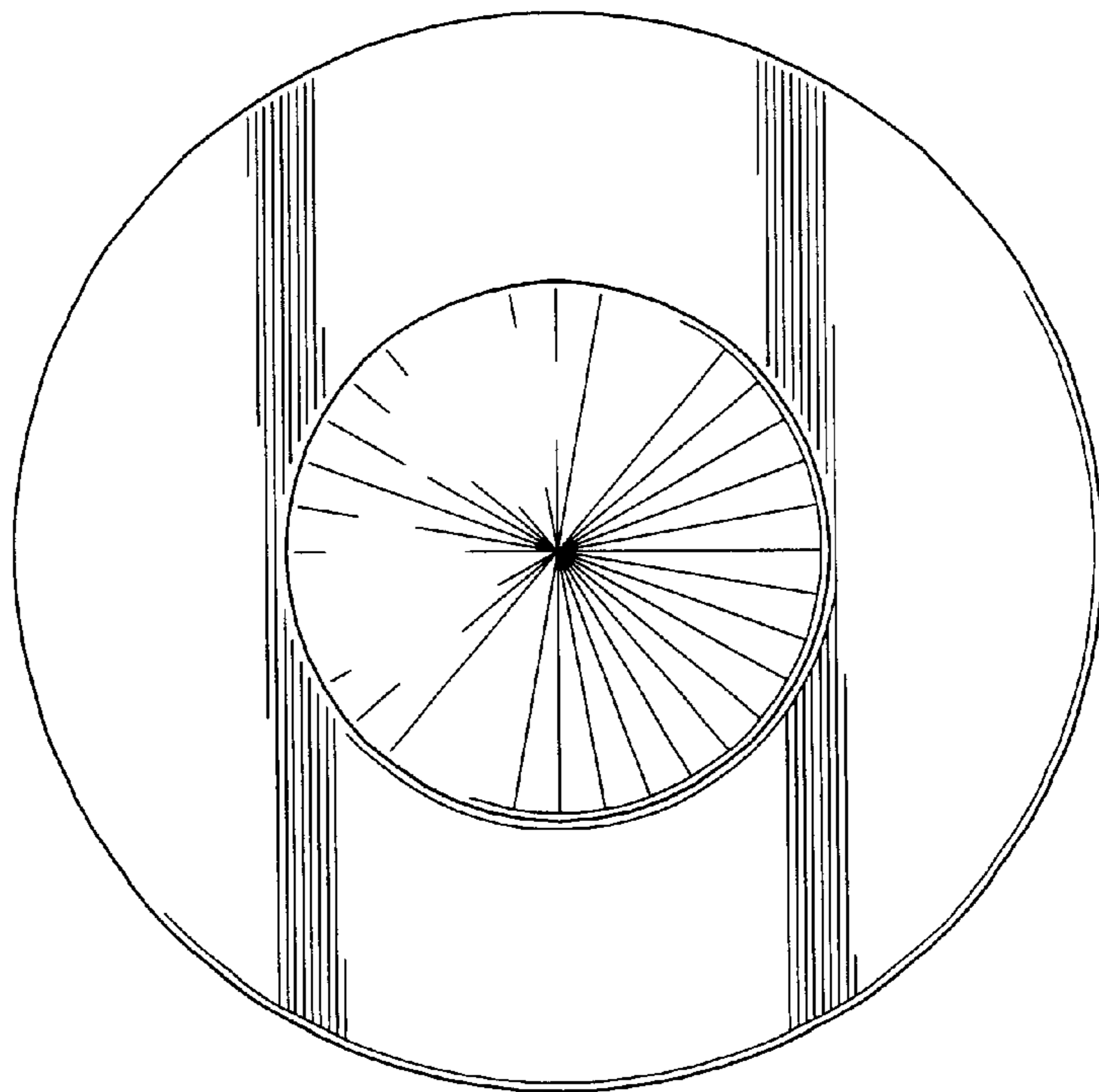


FIGURE 8