



US00D449554B1

(12) **United States Design Patent**
Montagnino et al.

(10) **Patent No.:** **US D449,554 S**

(45) **Date of Patent:** **** Oct. 23, 2001**

(54) **FASHION SCALE**

(75) Inventors: **James G. Montagnino**, St. Charles;
Anson Wong, Glendale Heights;
Ricardo Murguia, Berwyn; **Monique Chatterjee**, Chicago; **Elliott Hsu**, Chicago; **Greg Holderfield**, Chicago; **Randy Bell**, River Forest; **Dan Peterson**, Chicago, all of IL (US)

(73) Assignee: **Sunbeam Products, Inc.**, Boca Raton, FL (US)

(**) Term: **14 Years**

(21) Appl. No.: **29/135,582**

(22) Filed: **Jan. 13, 2001**

(51) **LOC (7) Cl.** **10-04**

(52) **U.S. Cl.** **D10/92**

(58) **Field of Search** D10/92; 177/210, 177/211, 239-243

(56) **References Cited**

U.S. PATENT DOCUMENTS

D. 440,167 * 4/2001 Joss et al. D10/92

* cited by examiner

Primary Examiner—Antoine Duval Davis

(74) *Attorney, Agent, or Firm*—Kramer Levin Naftalis & Frankel, LLP.

(57) **CLAIM**

The ornamental design for a fashion scale, as shown and described.

DESCRIPTION

FIG. 1 is a front left perspective view of an exemplary fashion scale according to an embodiment of the present invention.

FIG. 2 is a back elevational view of the fashion scale.

FIG. 3 is a top plan view of the fashion scale.

FIG. 4 is a front elevational view of the fashion scale; and,

FIG. 5 is a right side elevational view of the fashion scale, the left side elevational view being a mirror image.

The broken lines shown in the drawings identify in phantom environmental structure of boundaries that are not claimed part of the claimed design to be patented.

1 Claim, 1 Drawing Sheet

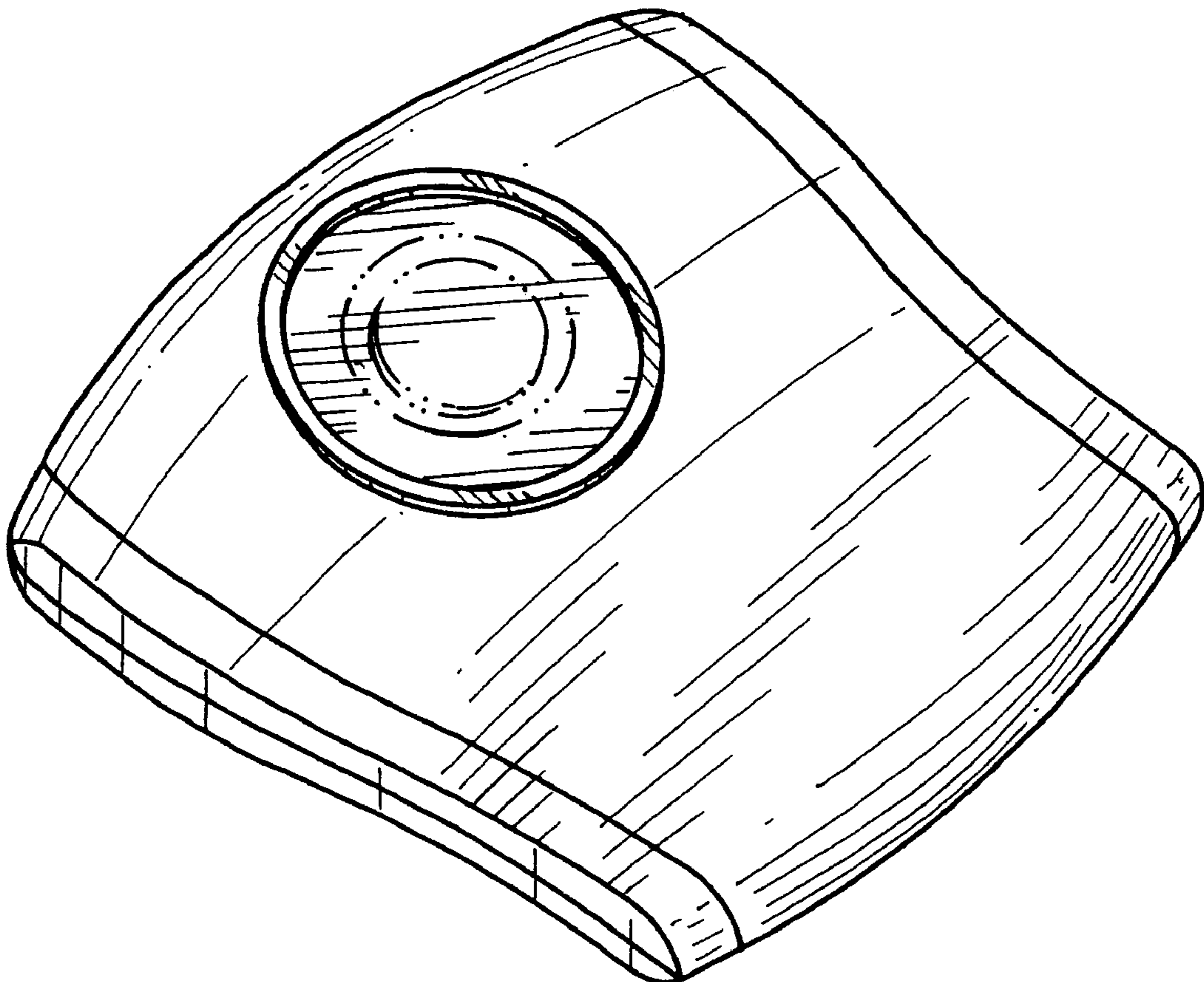




FIG. 2

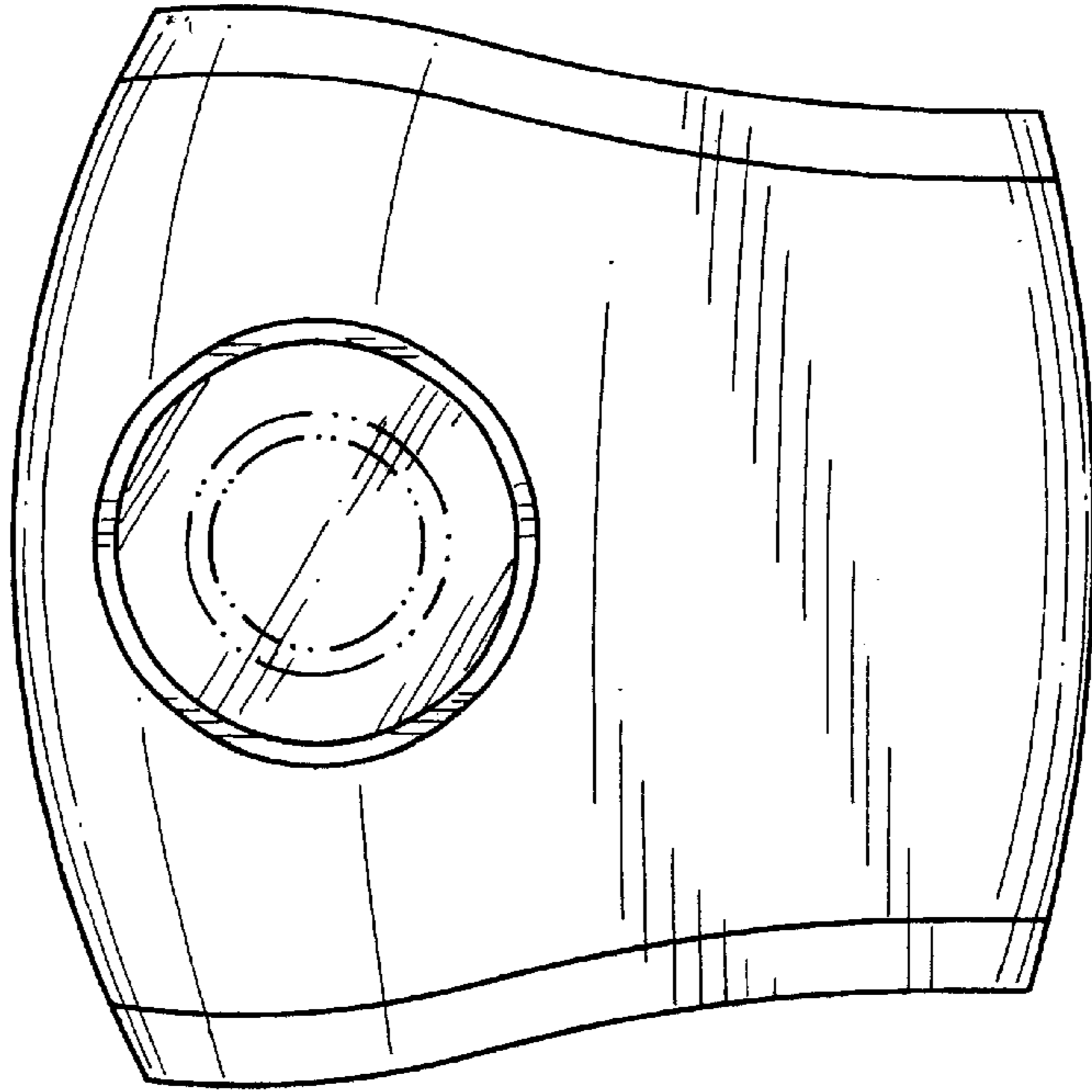


FIG. 3



FIG. 4

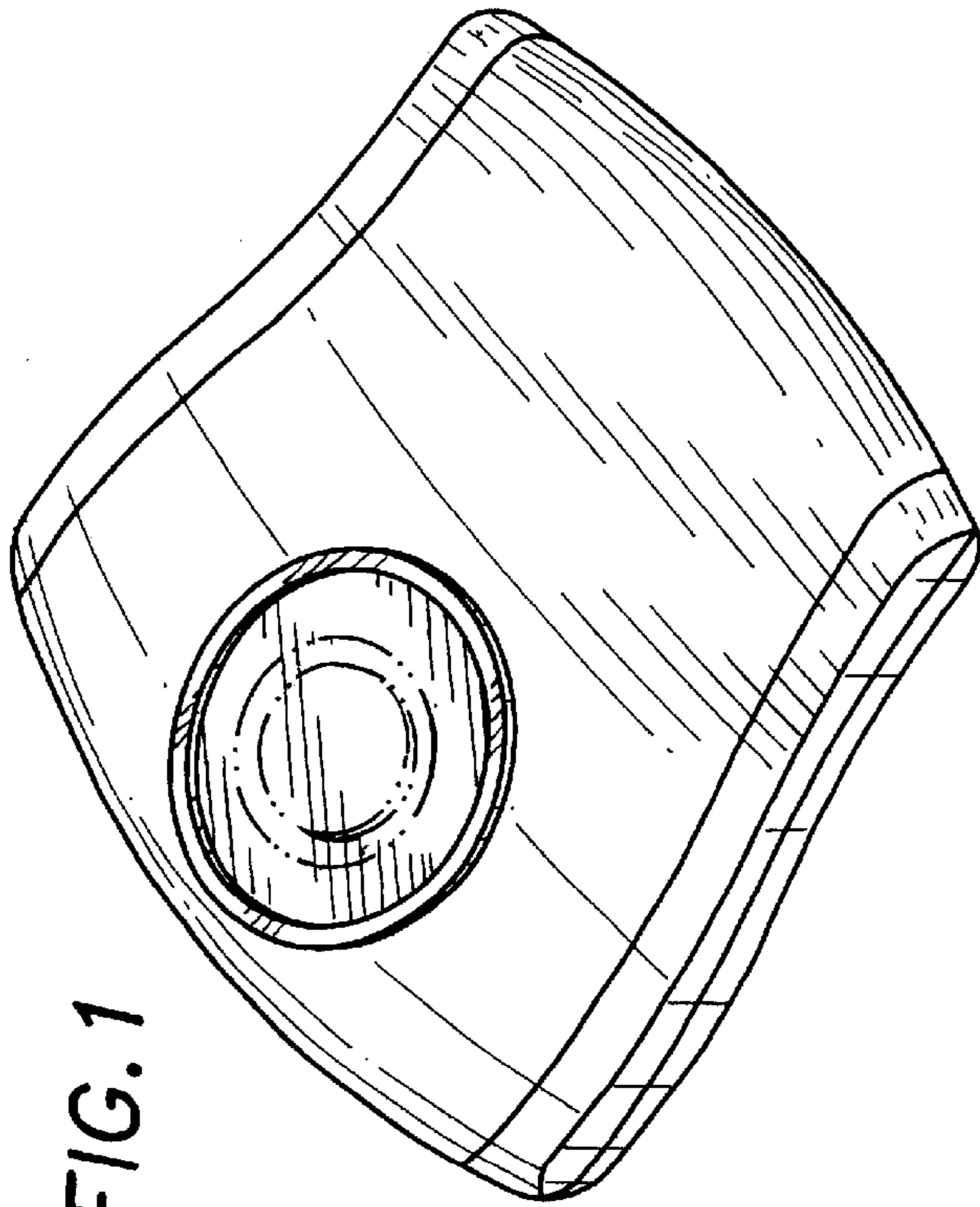


FIG. 1

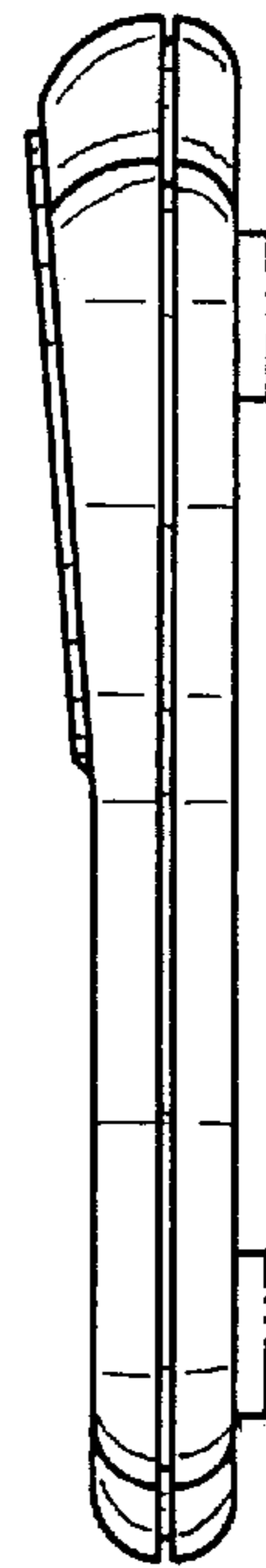


FIG. 5

UNITED STATES PATENT AND TRADEMARK OFFICE
CERTIFICATE OF CORRECTION

PATENT NO. : Des. 449,554 S
DATED : October 23, 2001
INVENTOR(S) : Montagnino et al.

Page 1 of 1

It is certified that error appears in the above-identified patent and that said Letters Patent is hereby corrected as shown below:

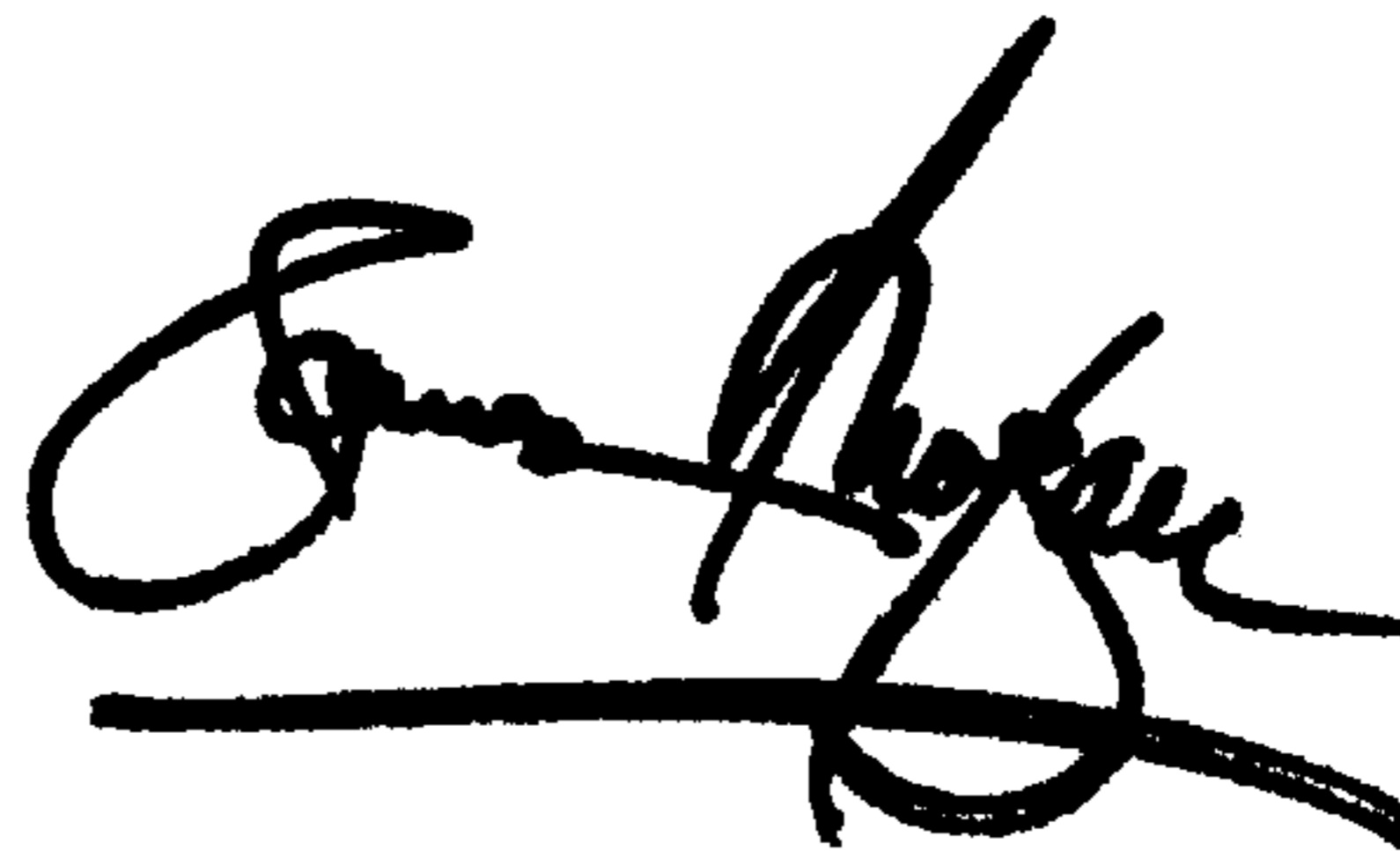
Title page,

DESCRIPTION, change "The broken lines shown in the drawings identify in phantom environmental structure or boundaries that are not claimed part of the claimed design to be patented" to -- The broken lines shown in the drawings identify in phantom environmental structure or boundaries that are not part of the claimed design to be patented --

Signed and Sealed this

Third Day of September, 2002

Attest:



Attesting Officer

JAMES E. ROGAN
Director of the United States Patent and Trademark Office