



US00D449548B1

(12) **United States Design Patent**
Goodman

(10) **Patent No.:** **US D449,548 S**

(45) **Date of Patent:** **** Oct. 23, 2001**

(54) **SCIENTIFIC INSTRUMENT HOUSING**

5,083,868 * 1/1992 Anderson 356/414
5,714,758 * 2/1998 Neu 250/339.08

(75) Inventor: **James P. Goodman**, Ft. Collins, CO
(US)

* cited by examiner

(73) Assignee: **Hach Company**, Loveland, CO (US)

Primary Examiner—Antoine Duval Davis

(74) *Attorney, Agent, or Firm*—Dean P. Edmundson

(**) Term: **14 Years**

(57) **CLAIM**

(21) Appl. No.: **29/129,364**

The ornamental design for a scientific instrument housing,
as shown.

(22) Filed: **Sep. 12, 2000**

DESCRIPTION

(51) **LOC (7) Cl.** **10-09**

(52) **U.S. Cl.** **D10/81**

(58) **Field of Search** D10/81; 356/416-419,
356/326, 328, 402-411; 250/226, 339.08;
359/588-589

FIG. 1 is a front perspective view of a scientific instrument
housing of my design;

FIG. 2 is a top plan view thereof;

FIG. 3 is a right side elevational view thereof, the left side
elevational view being a mirror image;

FIG. 4 is a front elevational view thereof;

FIG. 5 is a rear elevational view thereof; and,

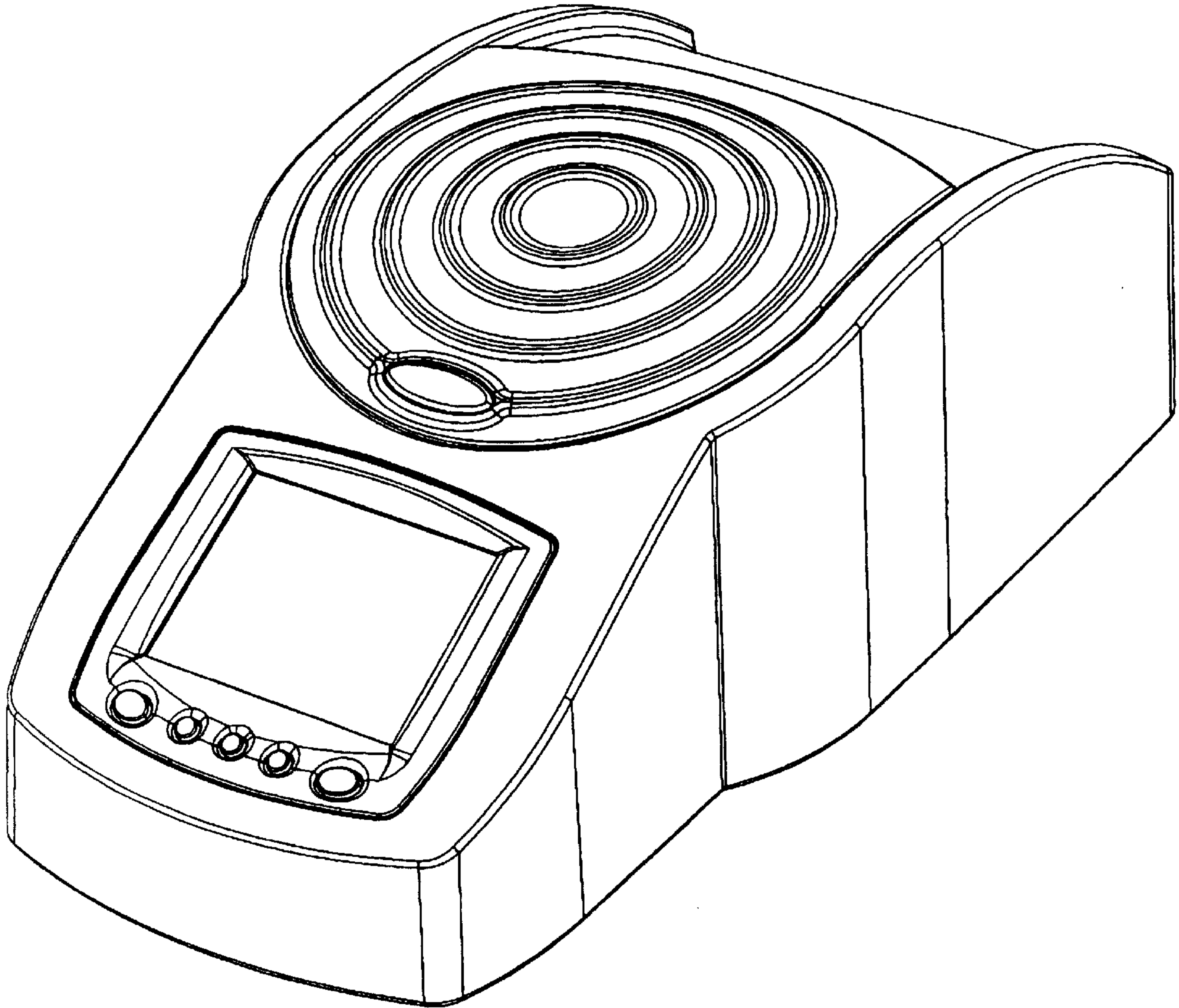
FIG. 6 is a bottom view thereof.

(56) **References Cited**

U.S. PATENT DOCUMENTS

D. 336,444 * 6/1993 Anderson et al. D10/81

1 Claim, 6 Drawing Sheets



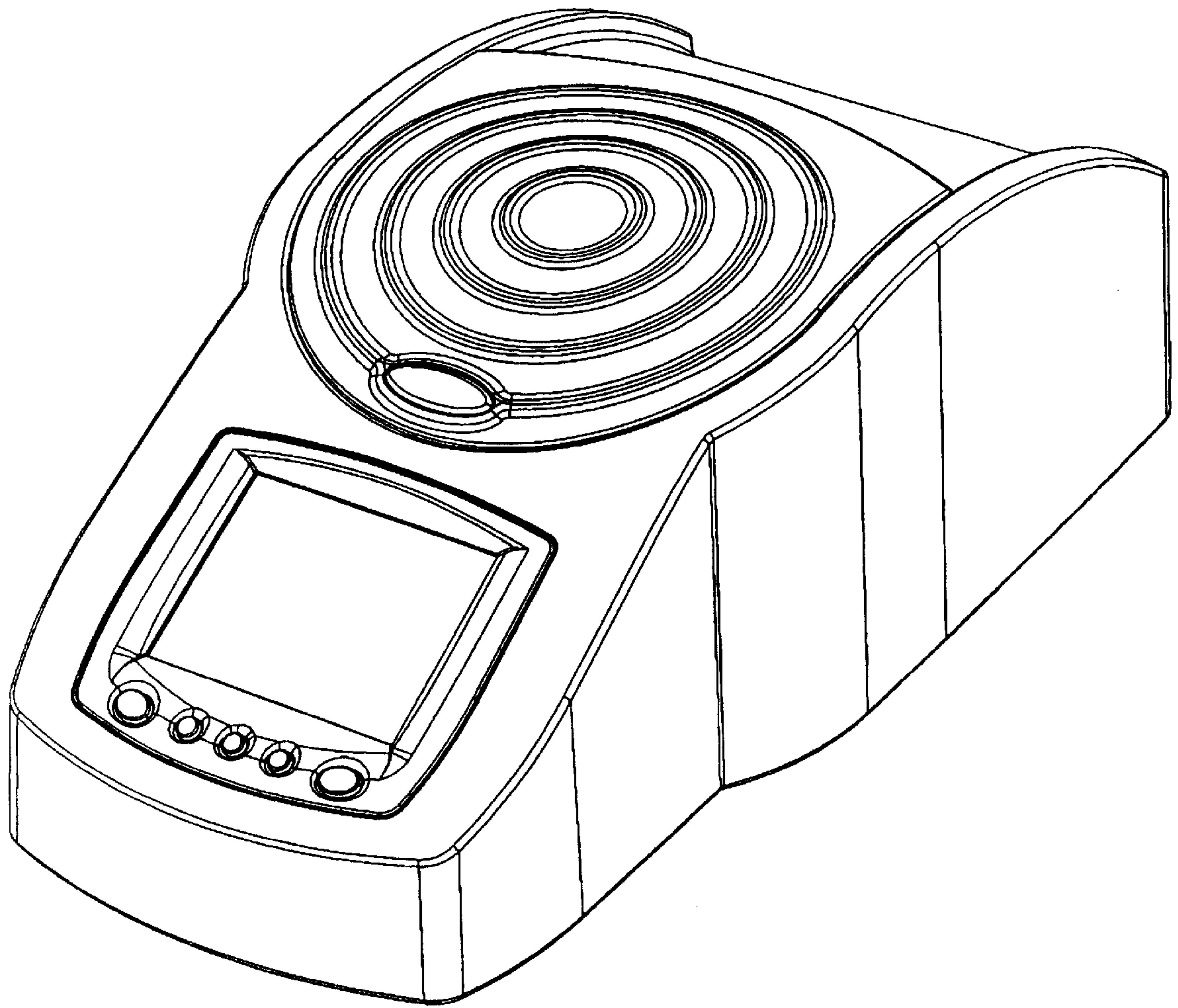


FIG. 1

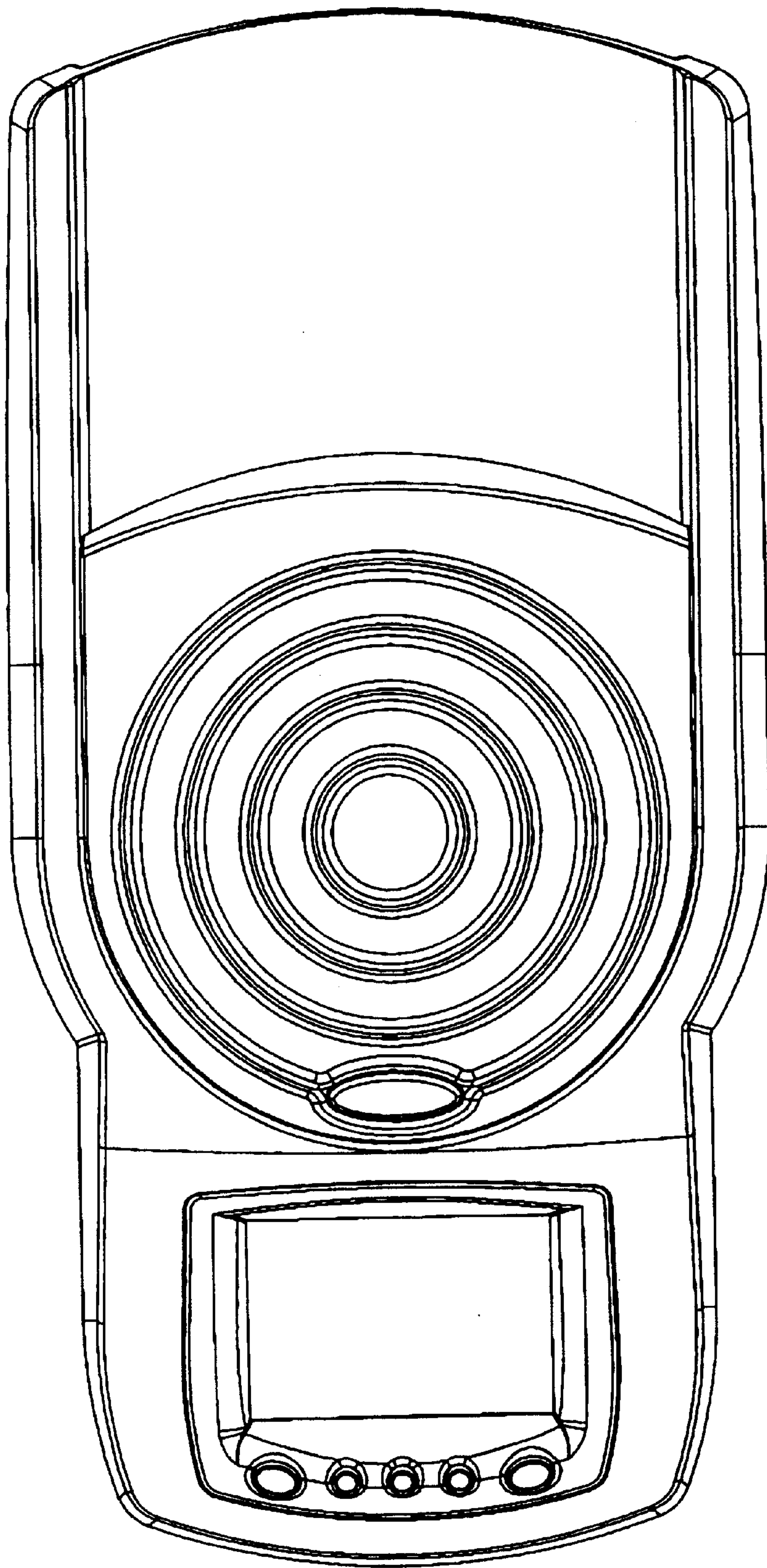


FIG. 2

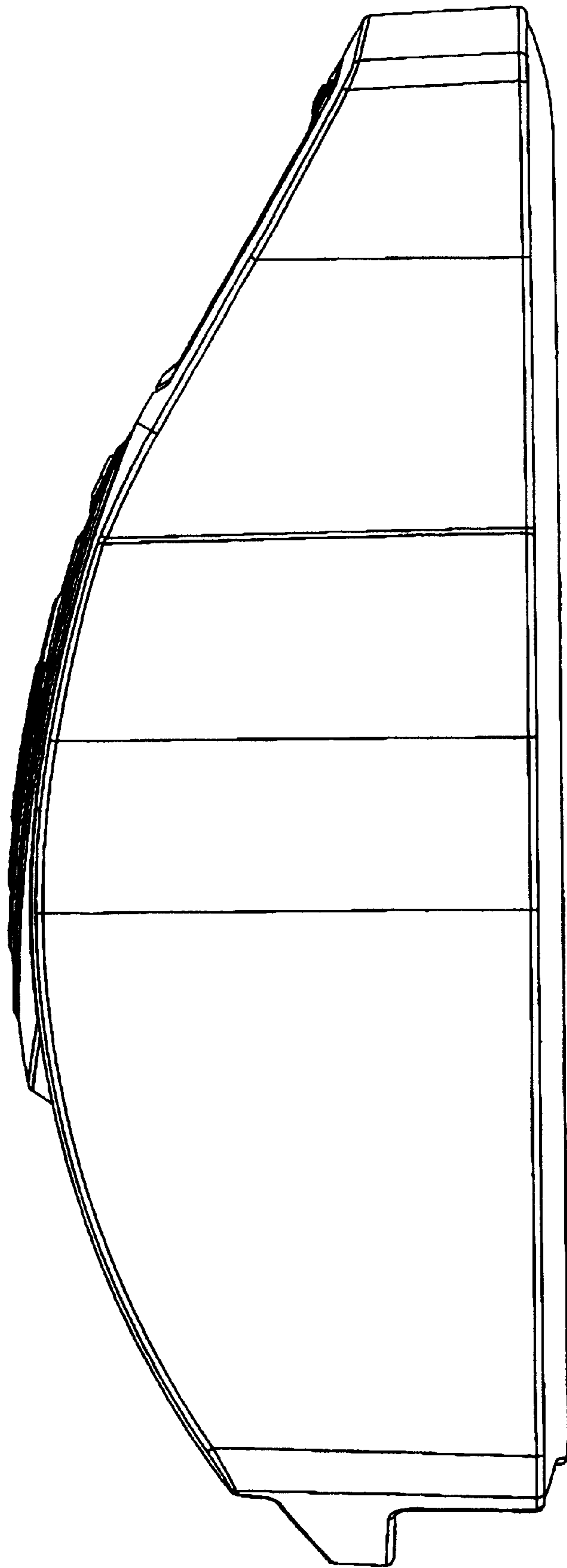


FIG. 3

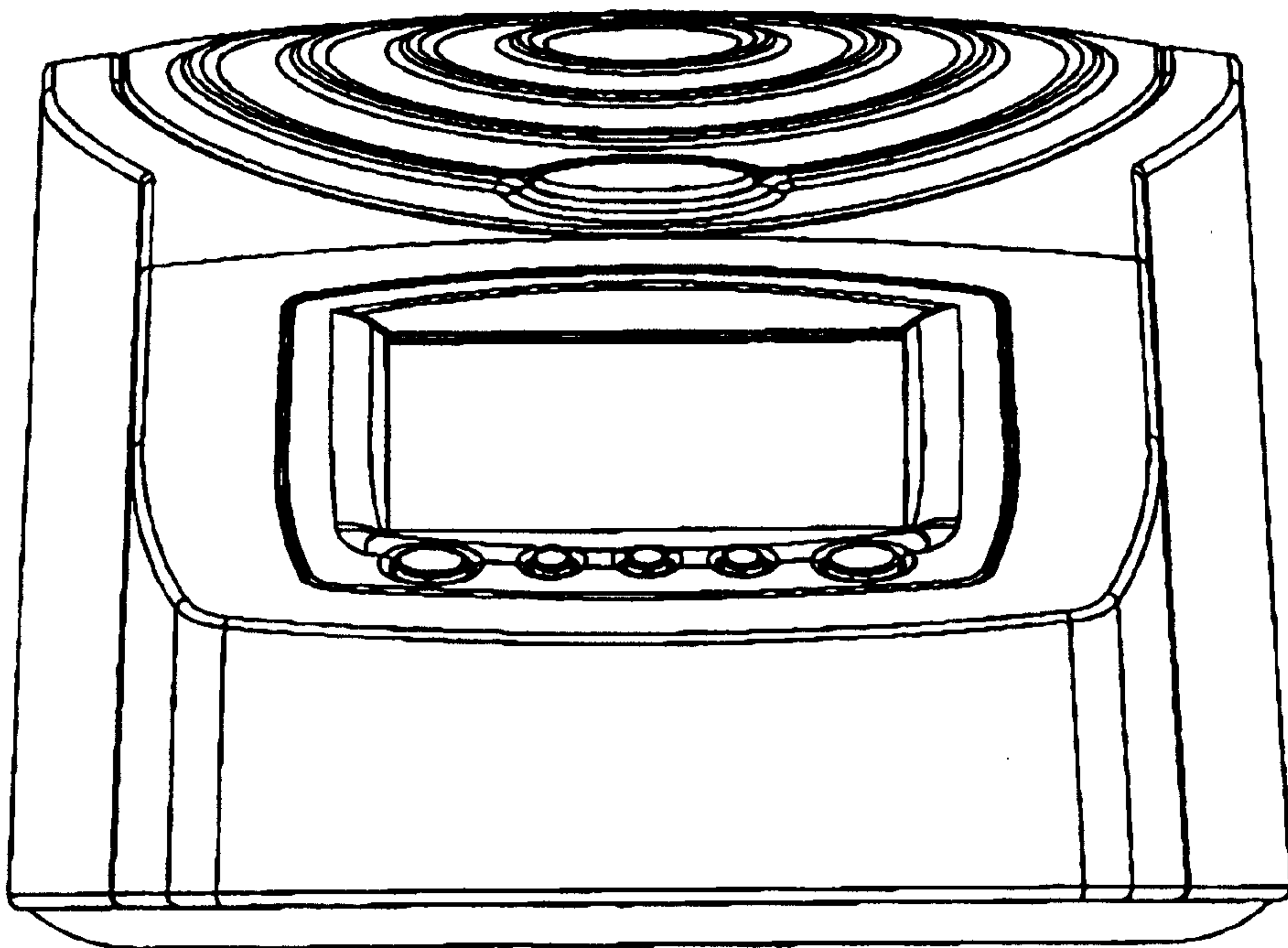


FIG. 4

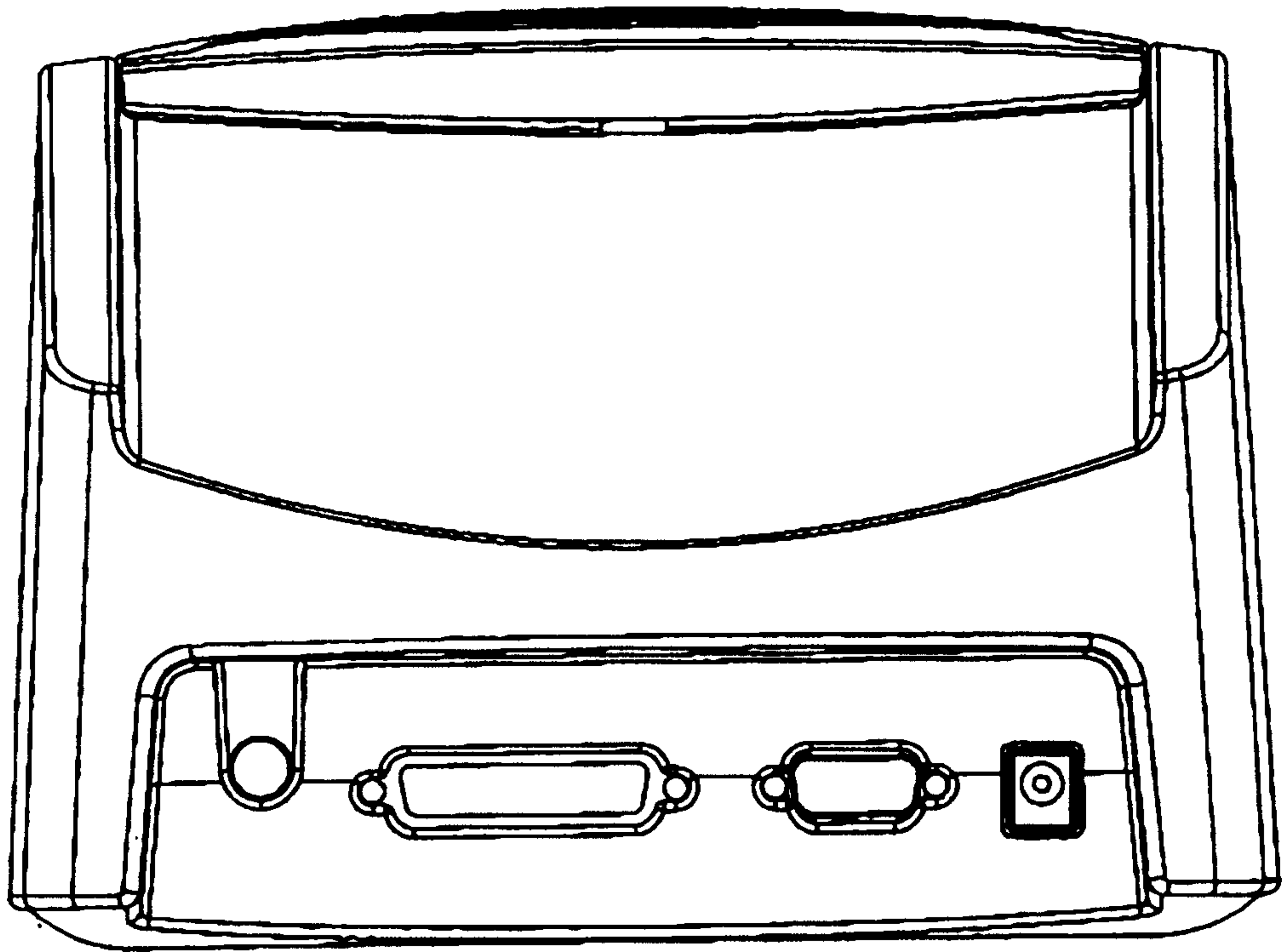


FIG. 5

FIG. 6

