



US00D449546B1

(12) **United States Design Patent**
Lee

(10) **Patent No.:** **US D449,546 S**

(45) **Date of Patent:** **** Oct. 23, 2001**

(54) **TAPE MEASURE**

(75) Inventor: **Barry Howard Lee**, Rayleigh (GB)

(73) Assignee: **Fisco Tools Limited**, Essex (GB)

(**) Term: **14 Years**

(21) Appl. No.: **29/134,851**

(22) Filed: **Jan. 3, 2001**

(30) **Foreign Application Priority Data**

Jul. 4, 2000 (GB) 2094049

(51) **LOC (7) Cl.** **10-04**

(52) **U.S. Cl.** **D10/72**

(58) **Field of Search** **D10/72; 33/755-770**

(56) **References Cited**

U.S. PATENT DOCUMENTS

- D. 415,047 * 10/1999 Hsu D10/72
- D. 418,435 * 1/2000 Hsu D10/72
- D. 420,606 * 2/2000 Hsu D10/72
- D. 438,129 * 2/2001 Li D10/72
- 5,746,004 5/1998 Wertheim .

OTHER PUBLICATIONS

Fisco Catalogue 300, pp. 3-14, Fisco Products Limited, Essex, United Kingdom, Apr. 2000.

* cited by examiner

Primary Examiner—Antoine Duval Davis

(74) *Attorney, Agent, or Firm*—Burns, Doane, Swecker & Mathis, L.L.P.

(57) **CLAIM**

The ornamental design for a tape measure, as shown and described.

DESCRIPTION

FIG. 1 is a front elevational view of a tape measure showing my new design;

FIG. 2 is a rear elevational view thereof;

FIG. 3 is a left side, rear perspective view thereof;

FIG. 4 is a right side, front perspective view thereof;

FIG. 5 is a left side, front perspective view thereof;

FIG. 6 is a right side, rear perspective view thereof;

FIG. 7 is a top plan view thereof;

FIG. 8 is a bottom plan view thereof;

FIG. 9 is a right side elevational view thereof; and,

FIG. 10 is a left side elevational view thereof.

1 Claim, 10 Drawing Sheets

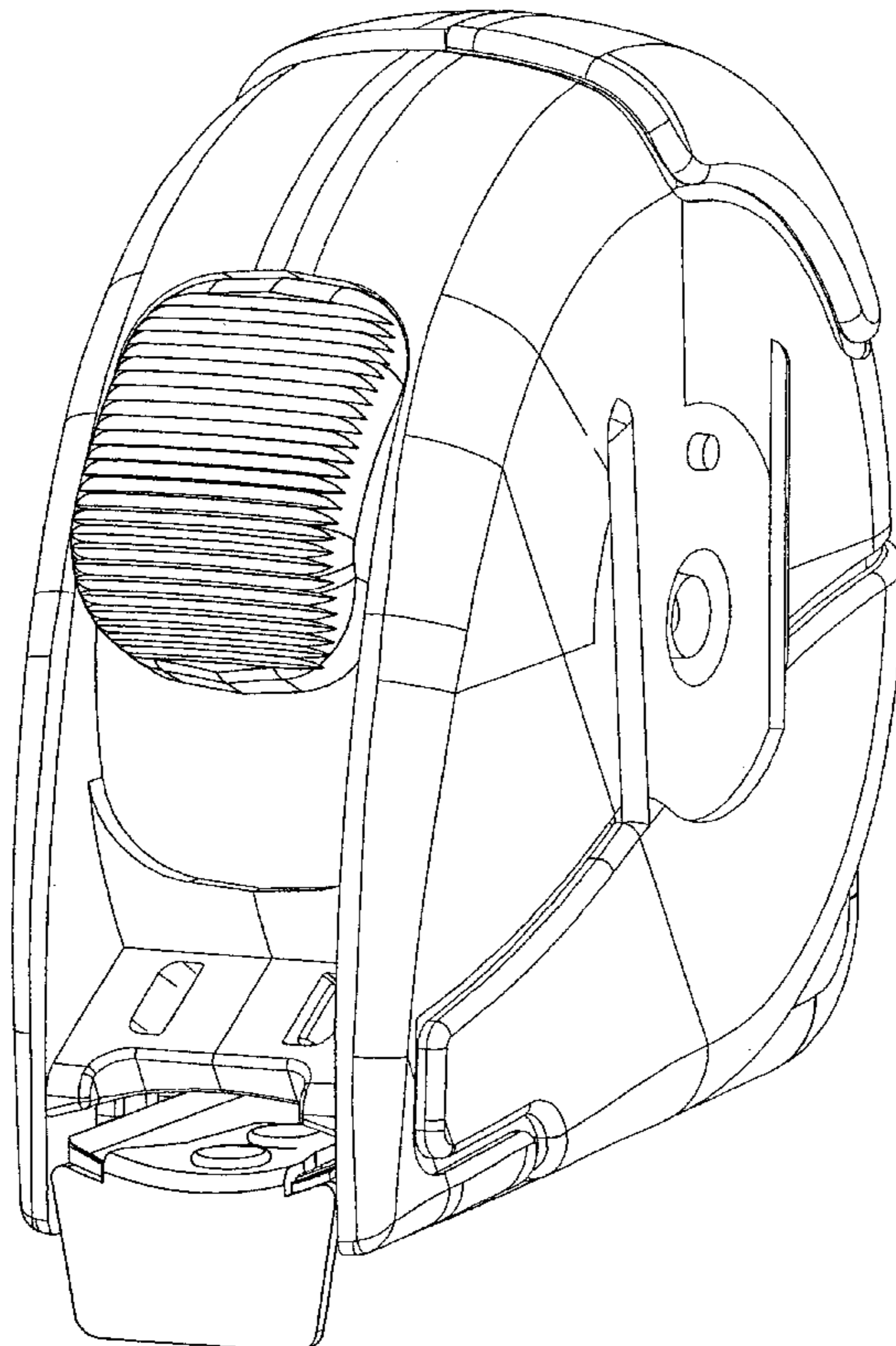


FIG. 1

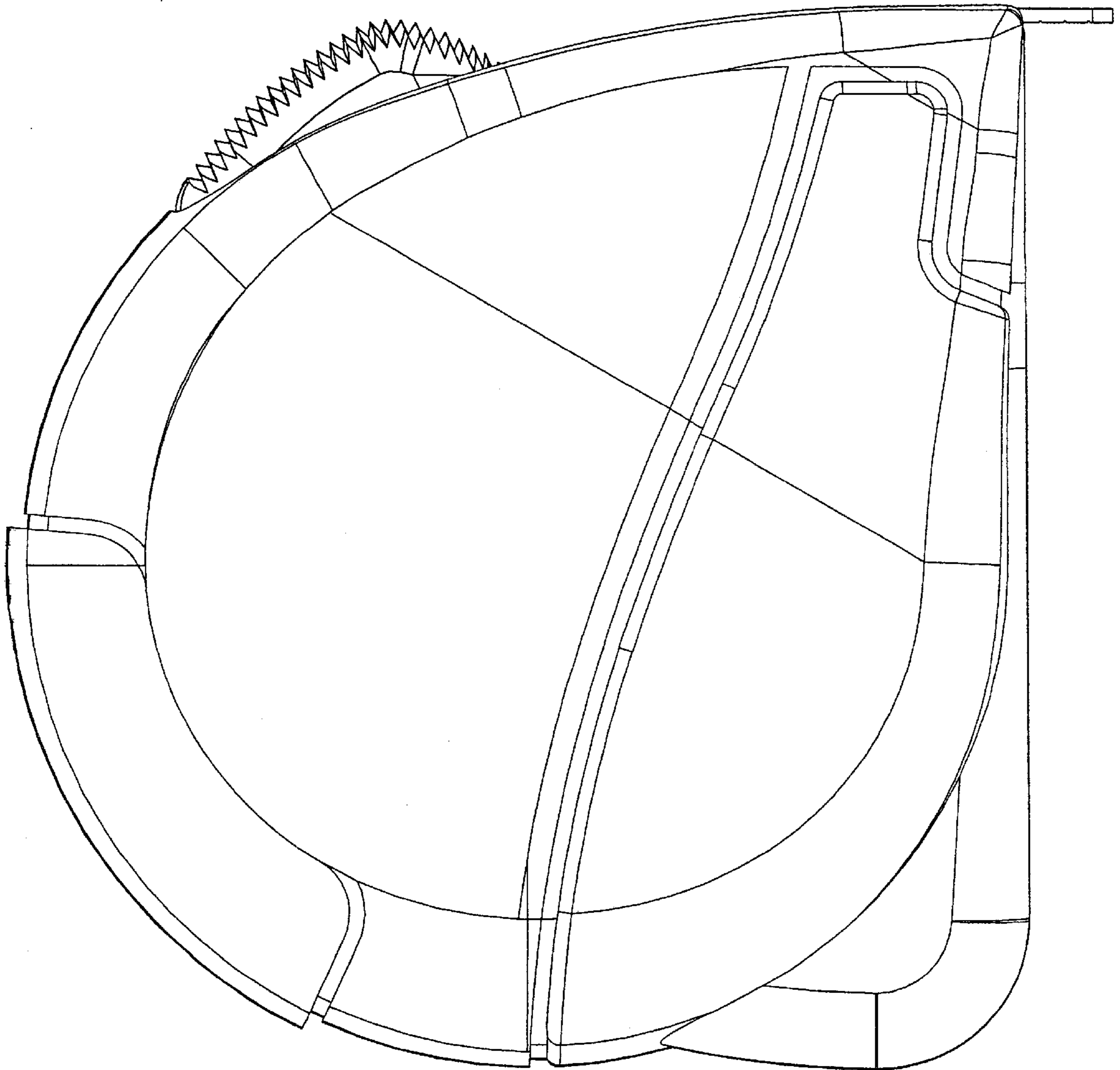


FIG. 2

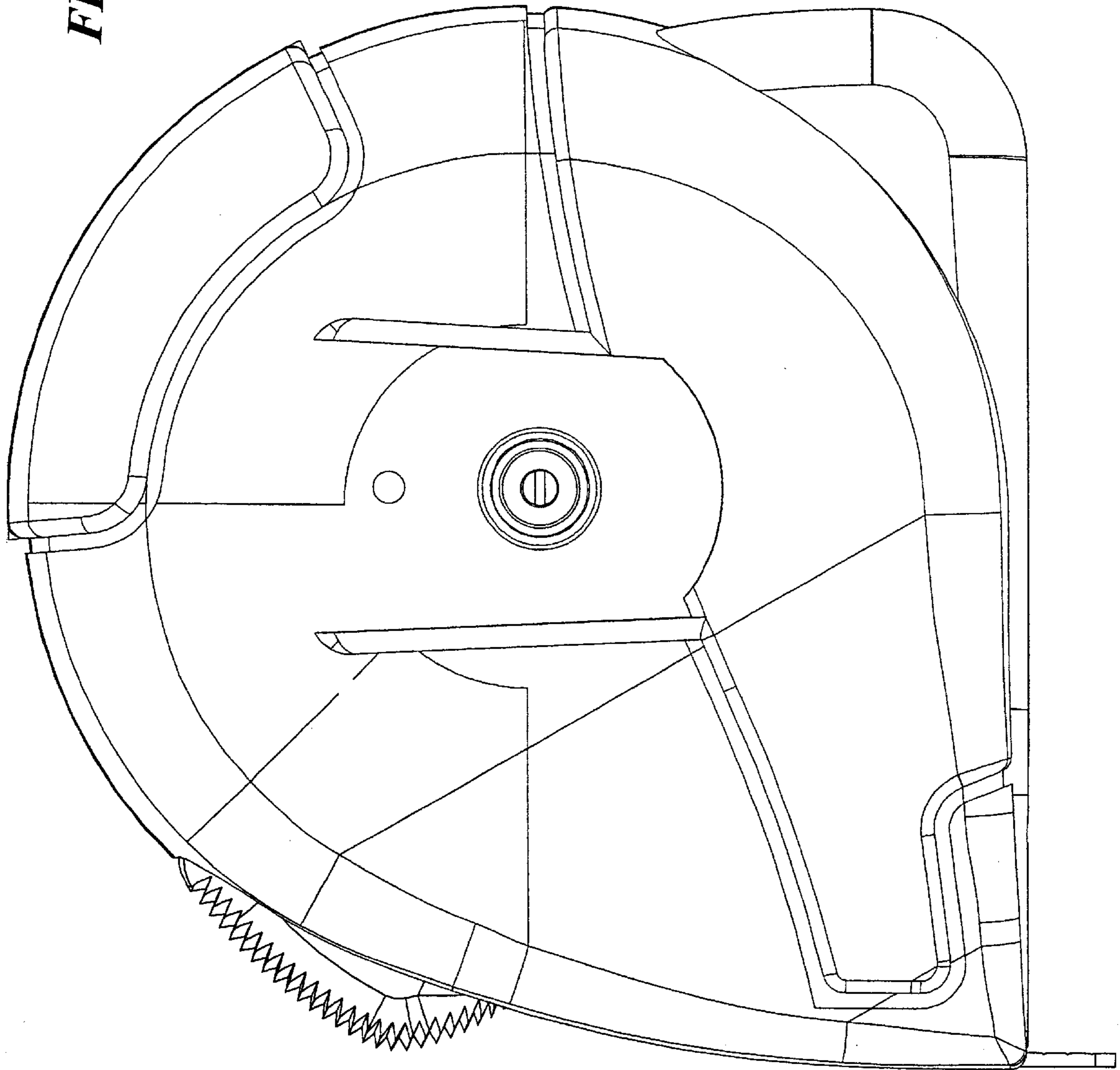


FIG. 3

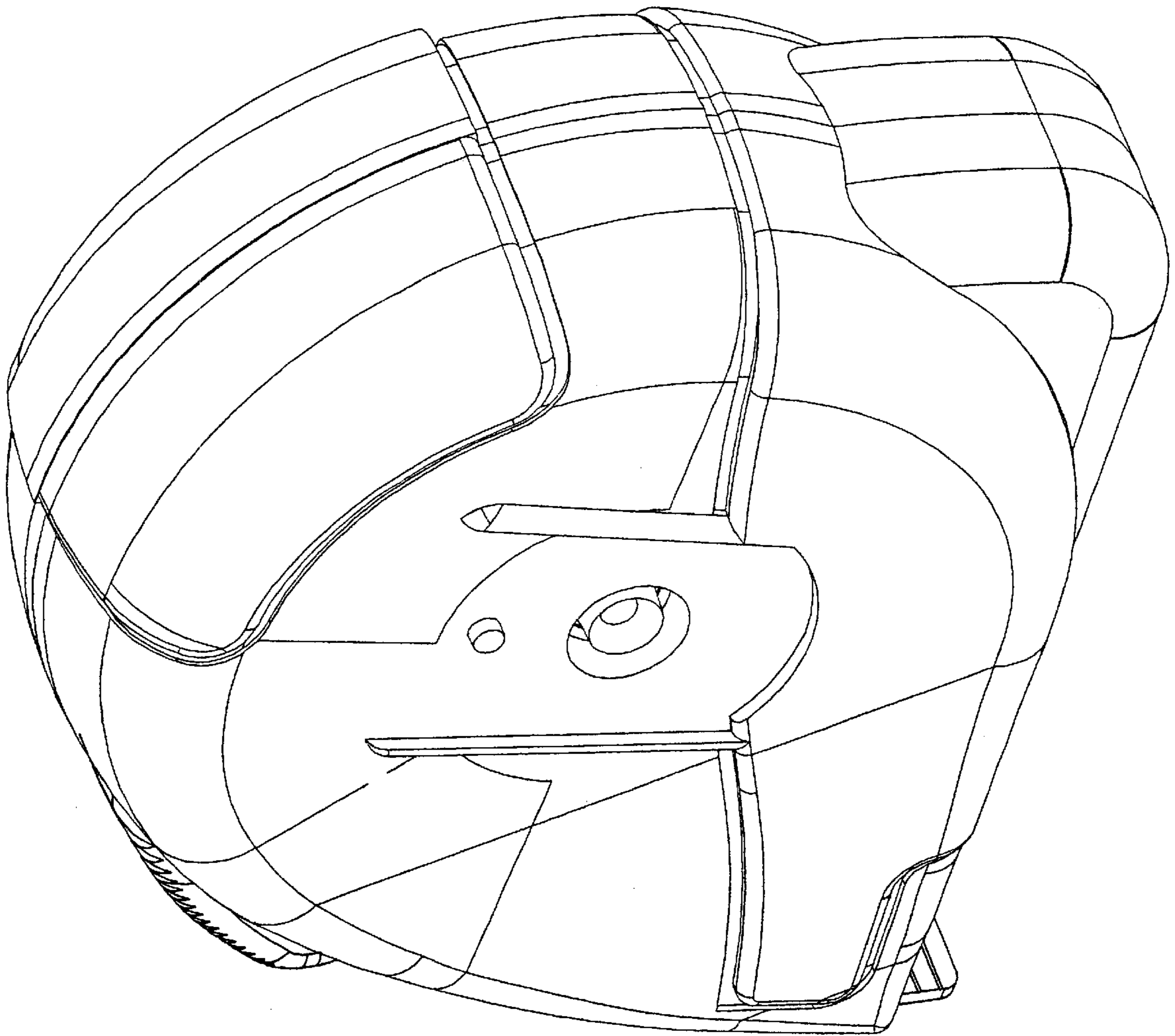


FIG. 4

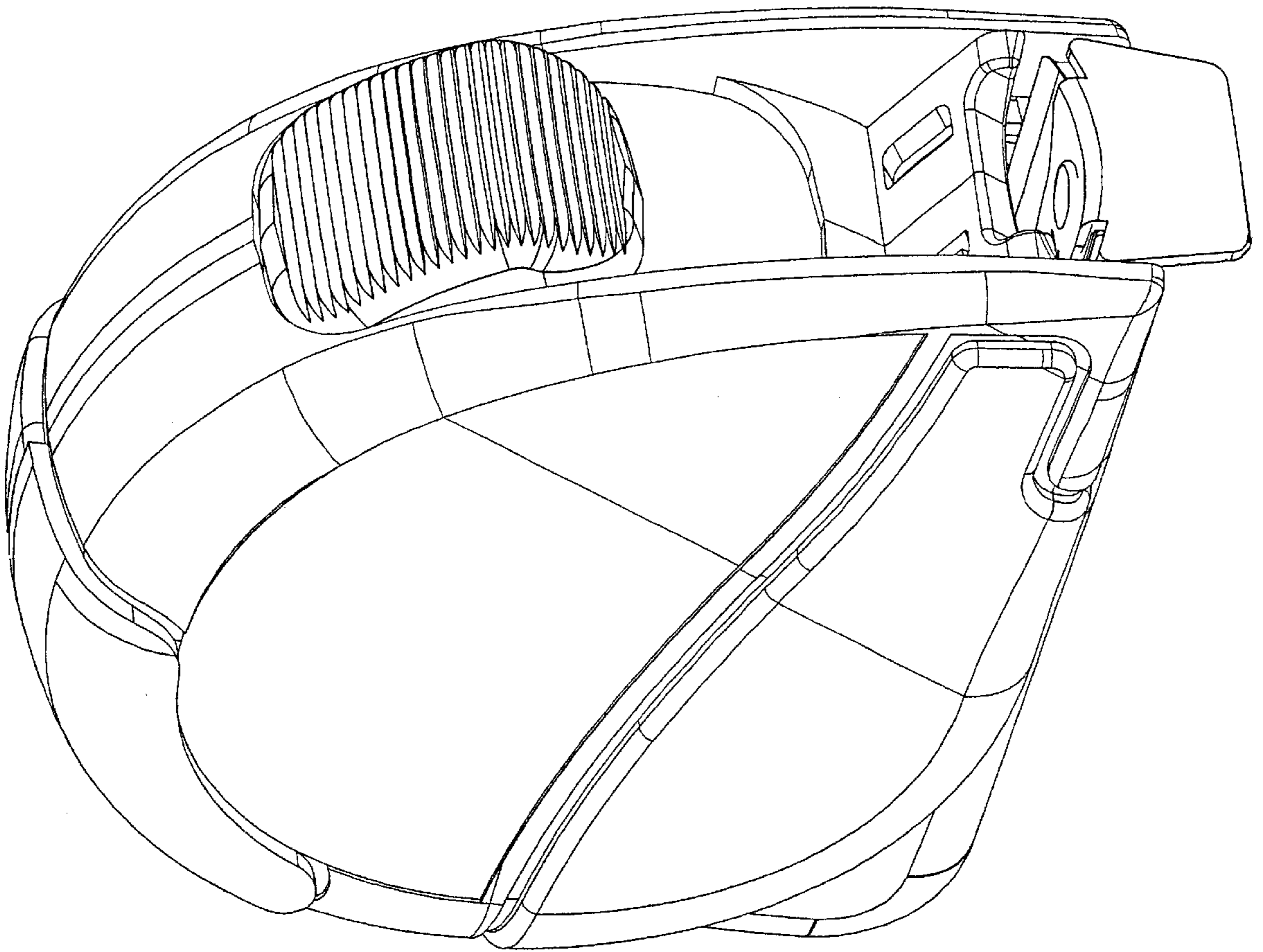


FIG. 5

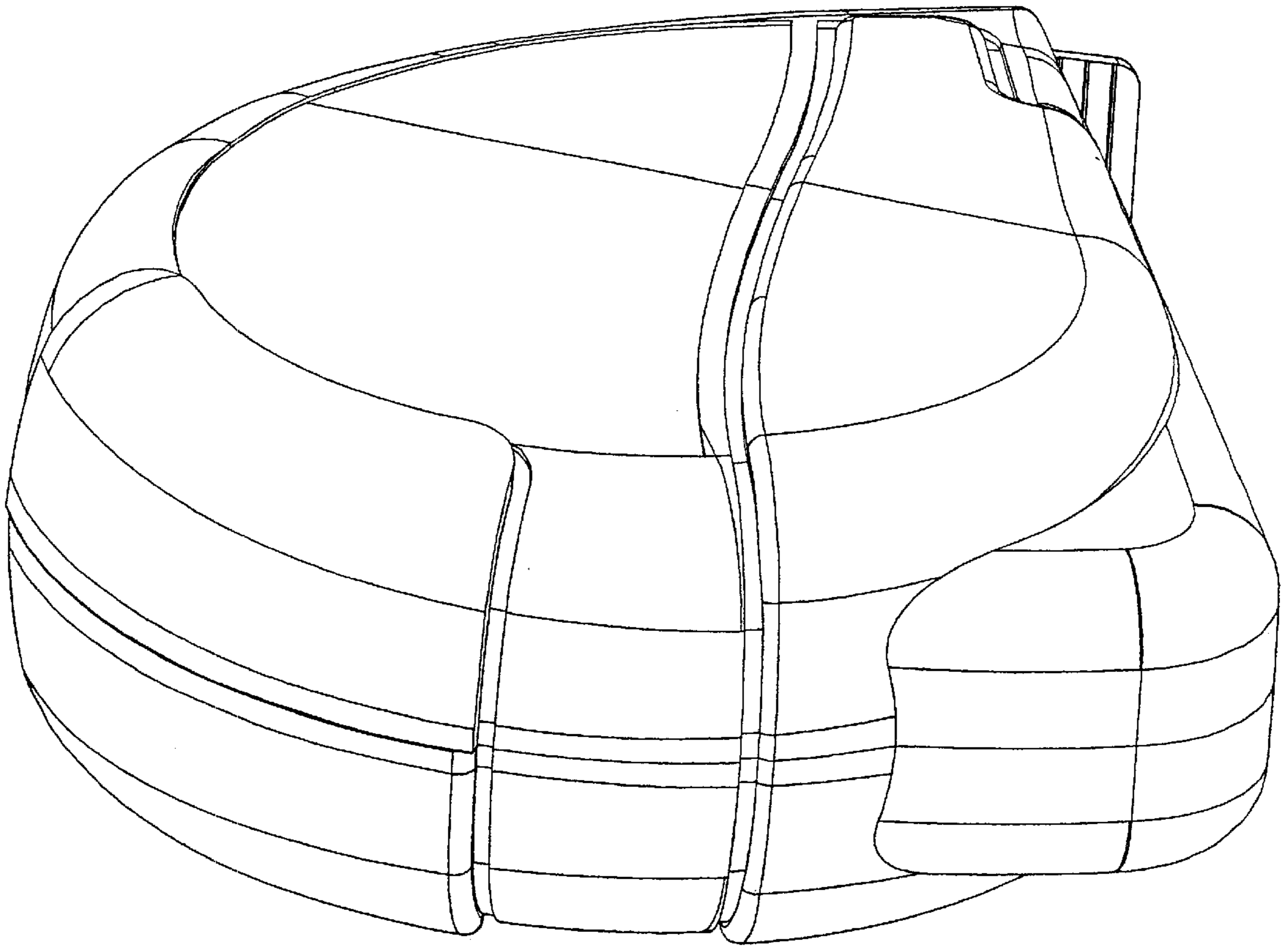


FIG. 6

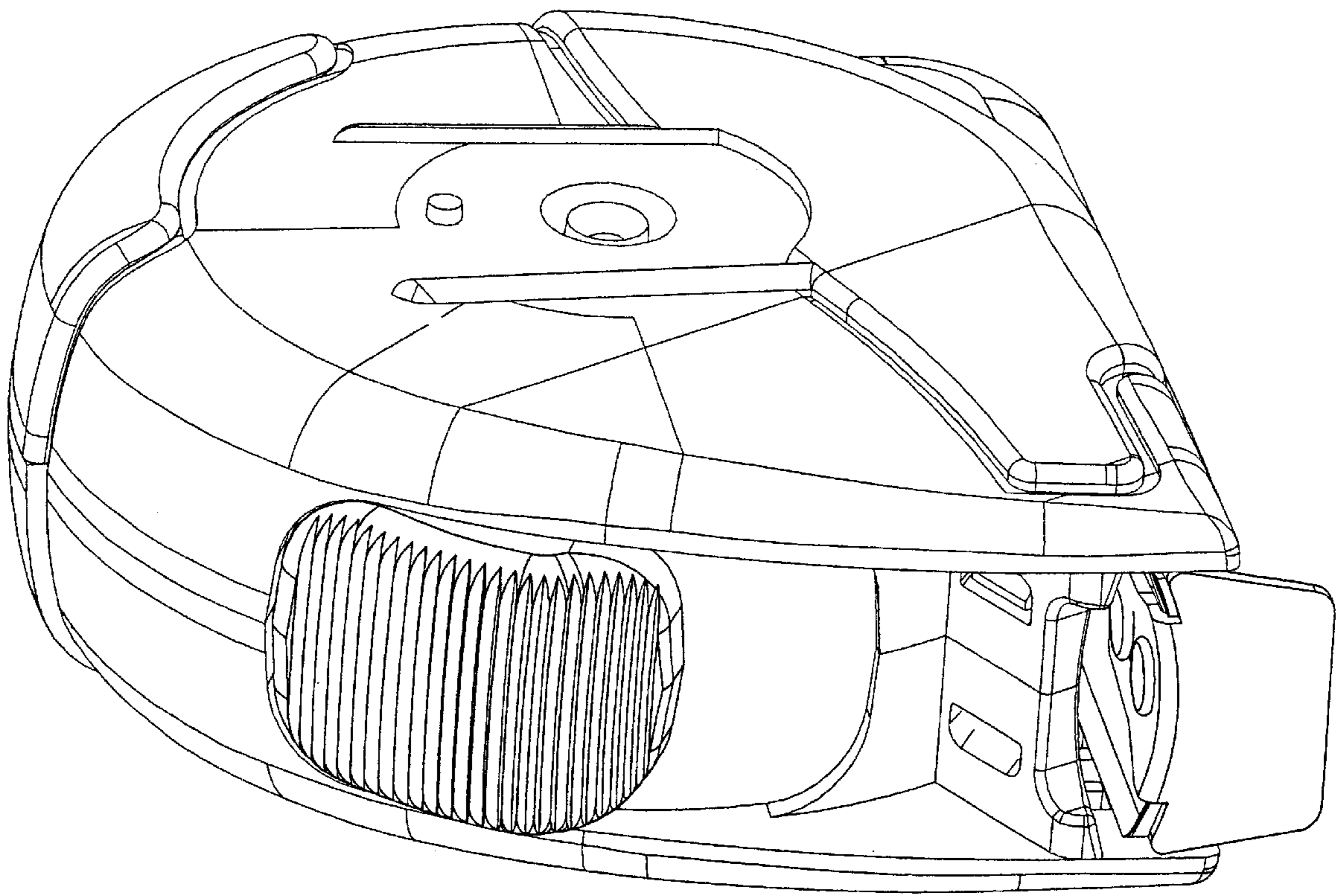


FIG. 7

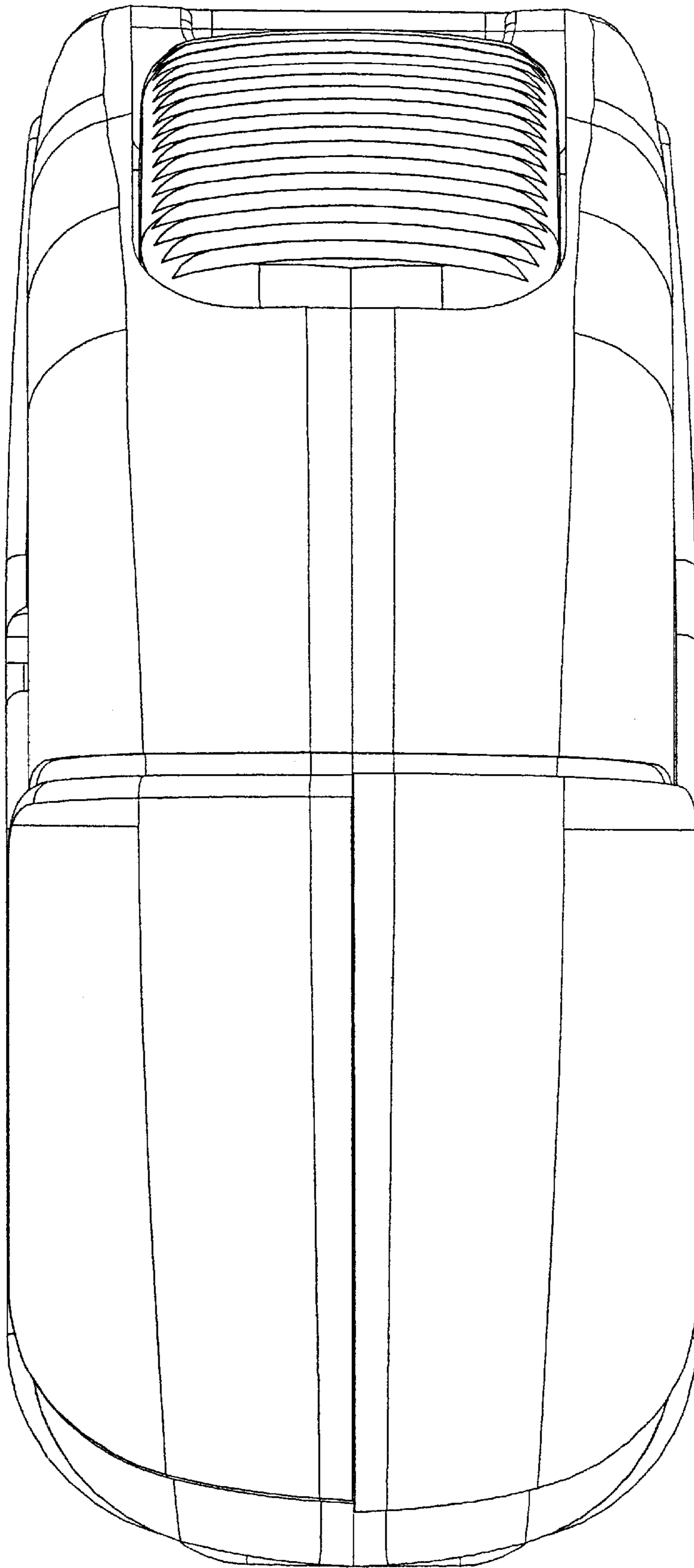


FIG. 8

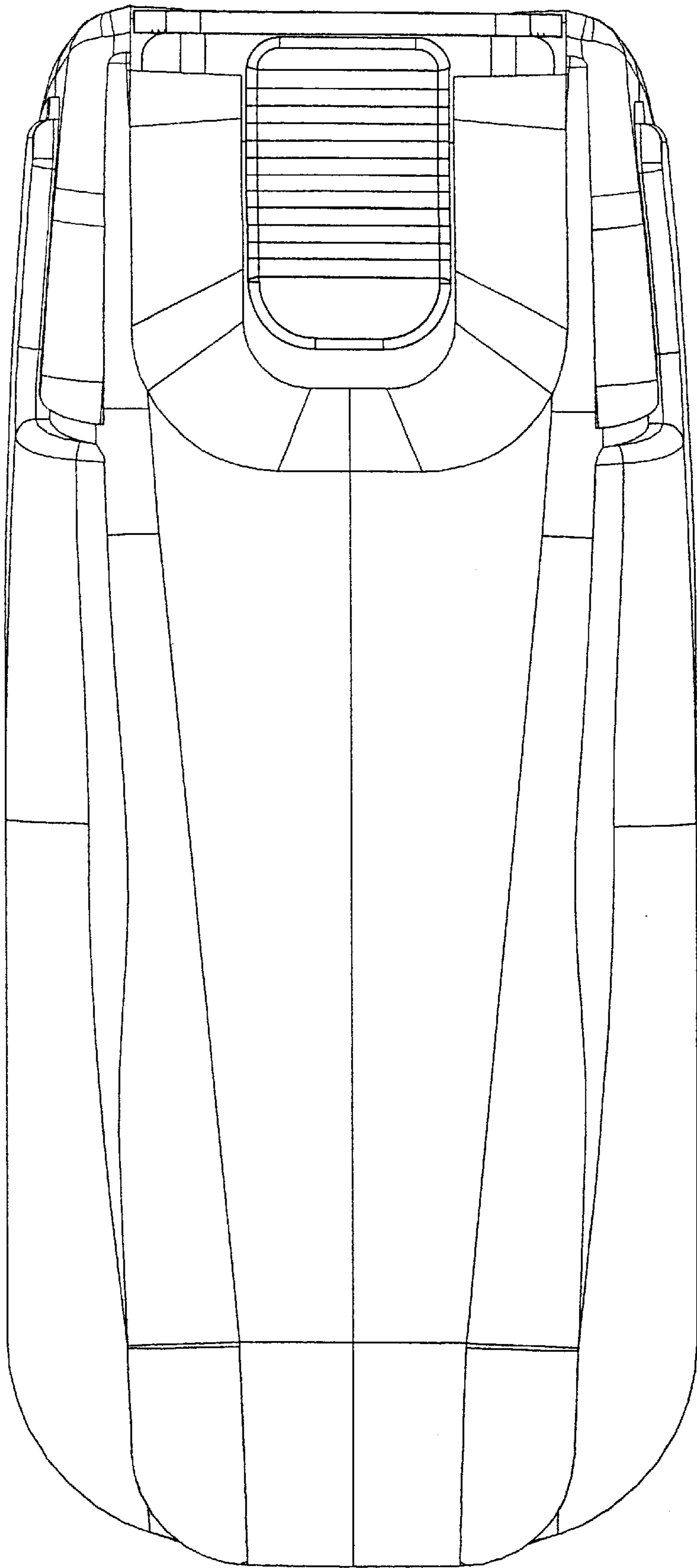


FIG. 9

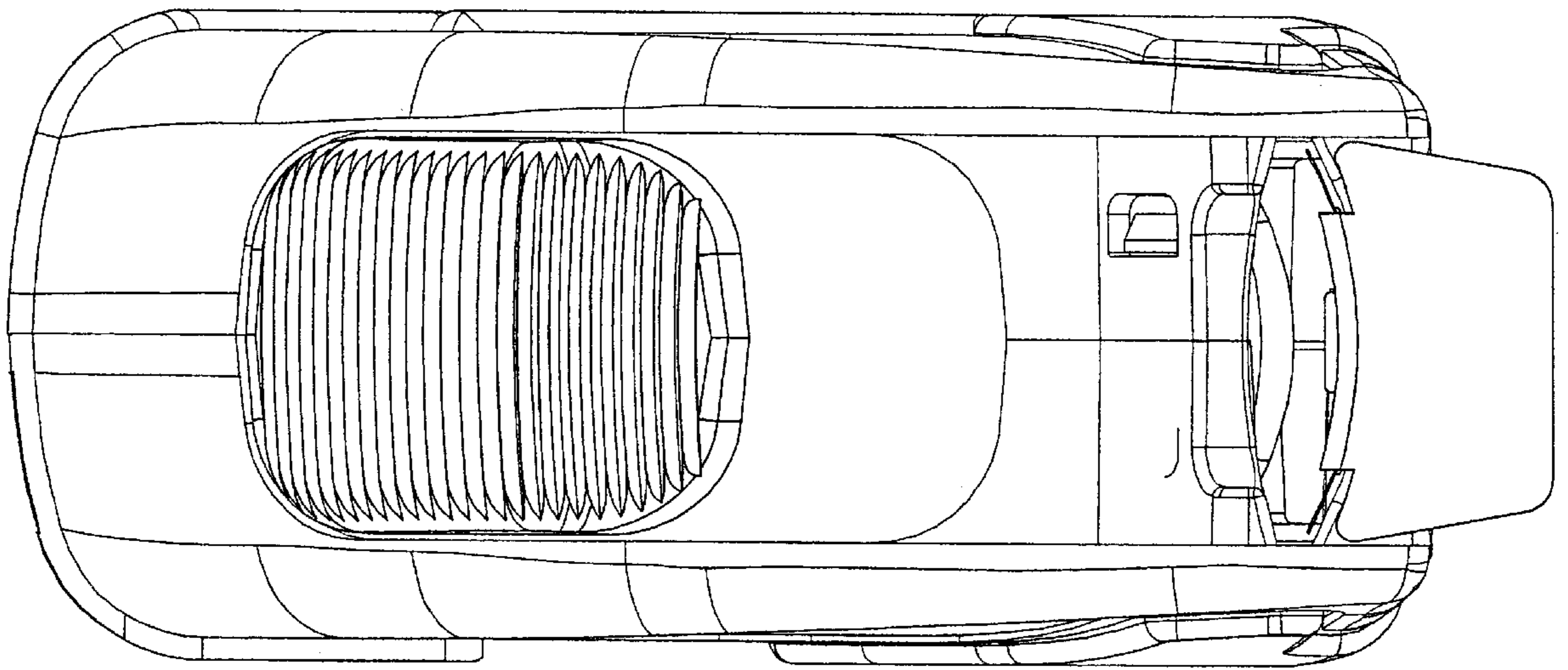


FIG. 10

