



US00D449544B1

(12) **United States Design Patent**
Liu

(10) **Patent No.:** **US D449,544 S**

(45) **Date of Patent:** **** Oct. 23, 2001**

(54) **DIGITAL GOLF SCORE DEVICE**

5,398,418 * 3/1995 Jones 116/225 X

(75) Inventor: **Kenneth Liu**, New Territories (CN)

* cited by examiner

(73) Assignee: **KNP Limited**, Hong Kong (CN)

Primary Examiner—Prabhakar Deshmukh

(**) Term: **14 Years**

(74) *Attorney, Agent, or Firm*—Alix, Yale & Ristas, LLP

(21) Appl. No.: **29/131,078**

(57) **CLAIM**

(22) Filed: **Oct. 16, 2000**

The ornamental design for a digital golf score device, as shown and described.

(51) **LOC (7) Cl.** **21-01**

DESCRIPTION

(52) **U.S. Cl.** **D10/46.1**

FIG. 1 is a perspective view of a digital golf score device showing my new design;

(58) **Field of Search** D10/46.1, 46;
235/90; 116/222–225; 473/131; 224/918,
921

FIG. 2 is a front elevational view thereof;

FIG. 3 is a left side elevational view thereof;

FIG. 4 is a top plan view thereof;

FIG. 5 is a rear elevational view thereof;

FIG. 6 is a right side elevational view thereof;

FIG. 7 is a bottom plan view thereof; and,

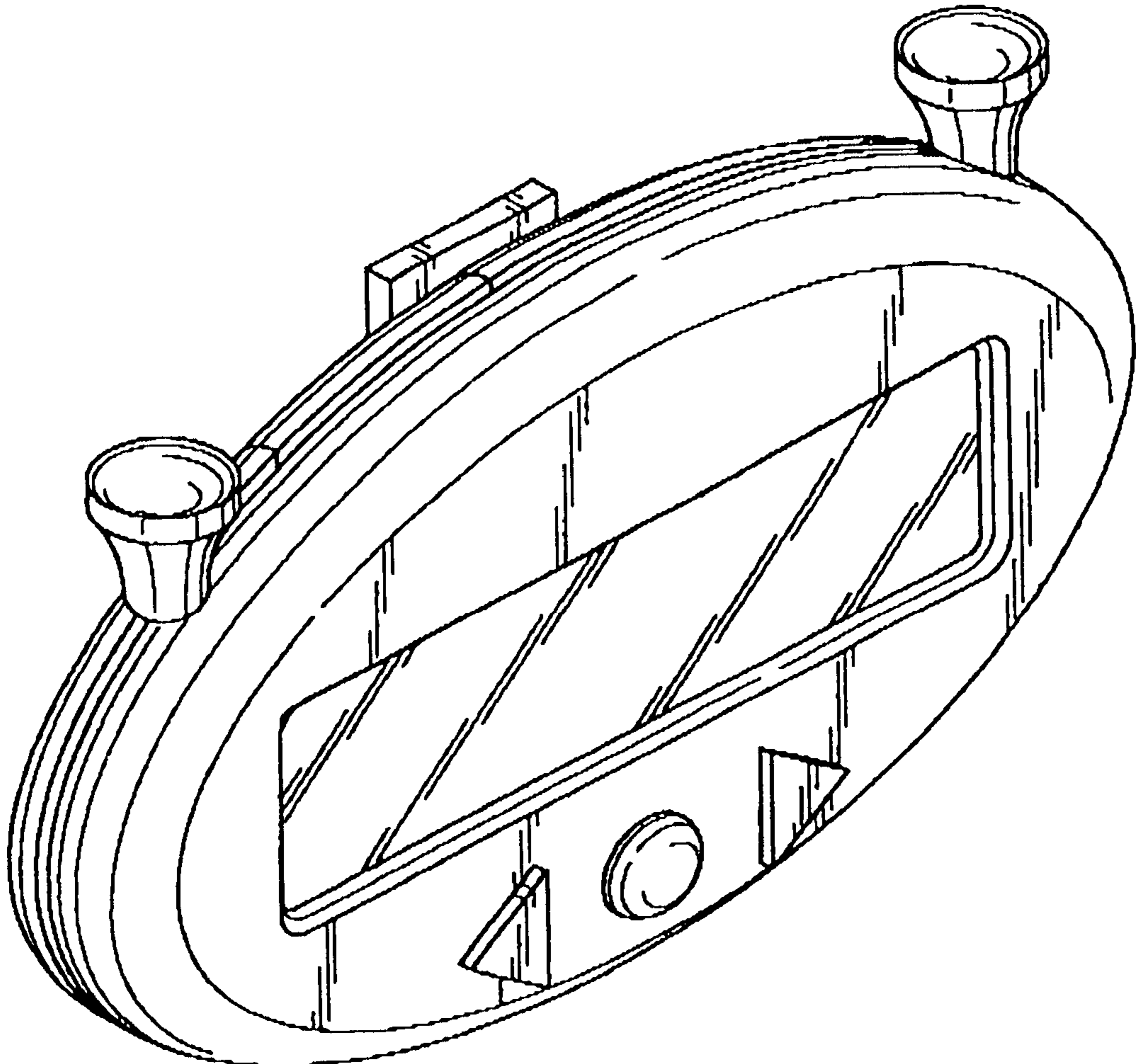
FIG. 8 is a perspective view with parts in alternative position.

(56) **References Cited**

U.S. PATENT DOCUMENTS

- D. 353,110 * 12/1994 Calabrese et al. D10/46.1
- D. 388,341 * 12/1997 Perez D10/46.1
- D. 394,406 * 5/1998 Sacks D10/46.1
- D. 436,541 * 1/2001 Scott et al. D10/46.1
- 3,135,515 * 6/1964 Kinsey 116/223 X

1 Claim, 4 Drawing Sheets



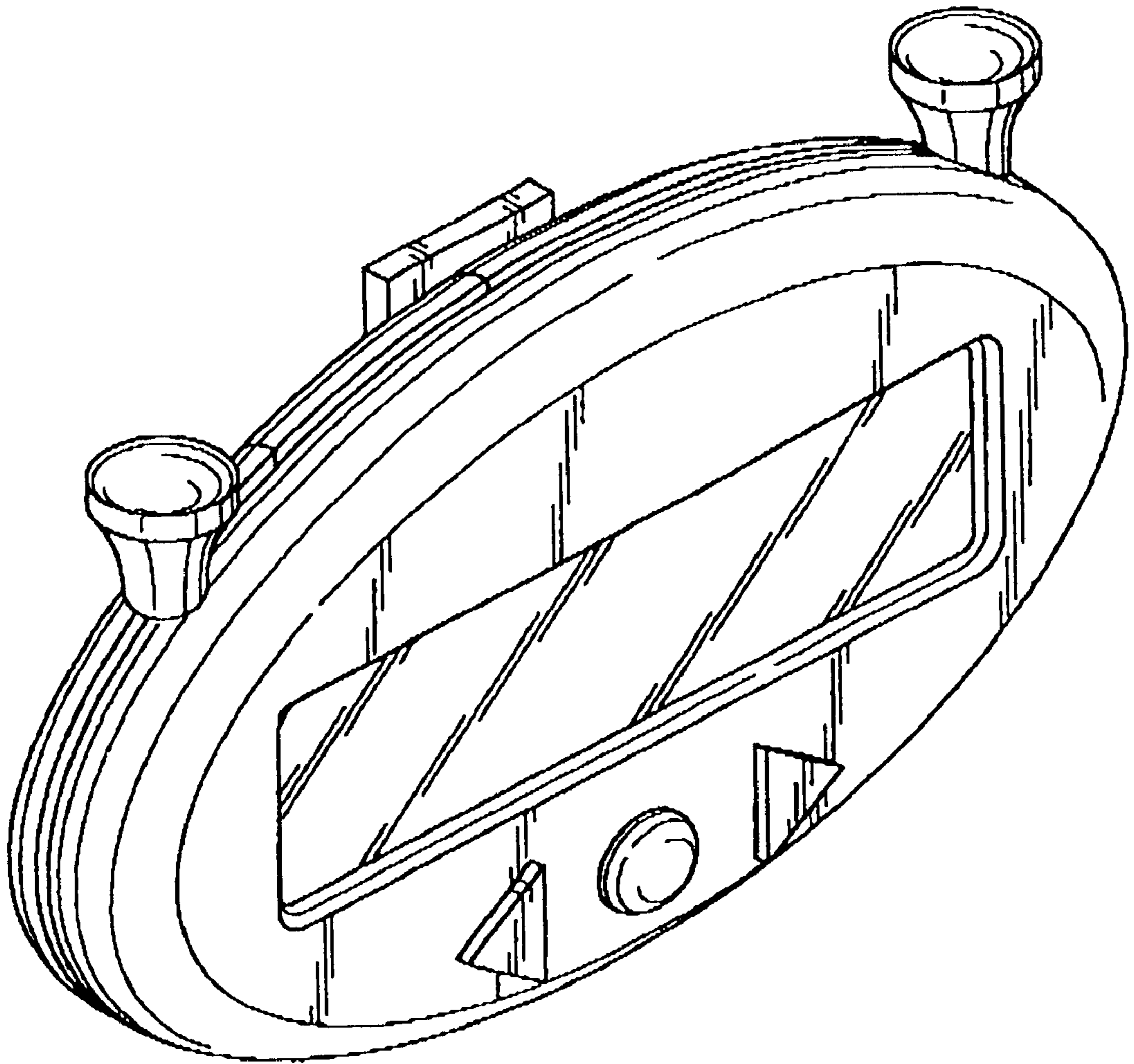


FIG. 1

FIG. 4

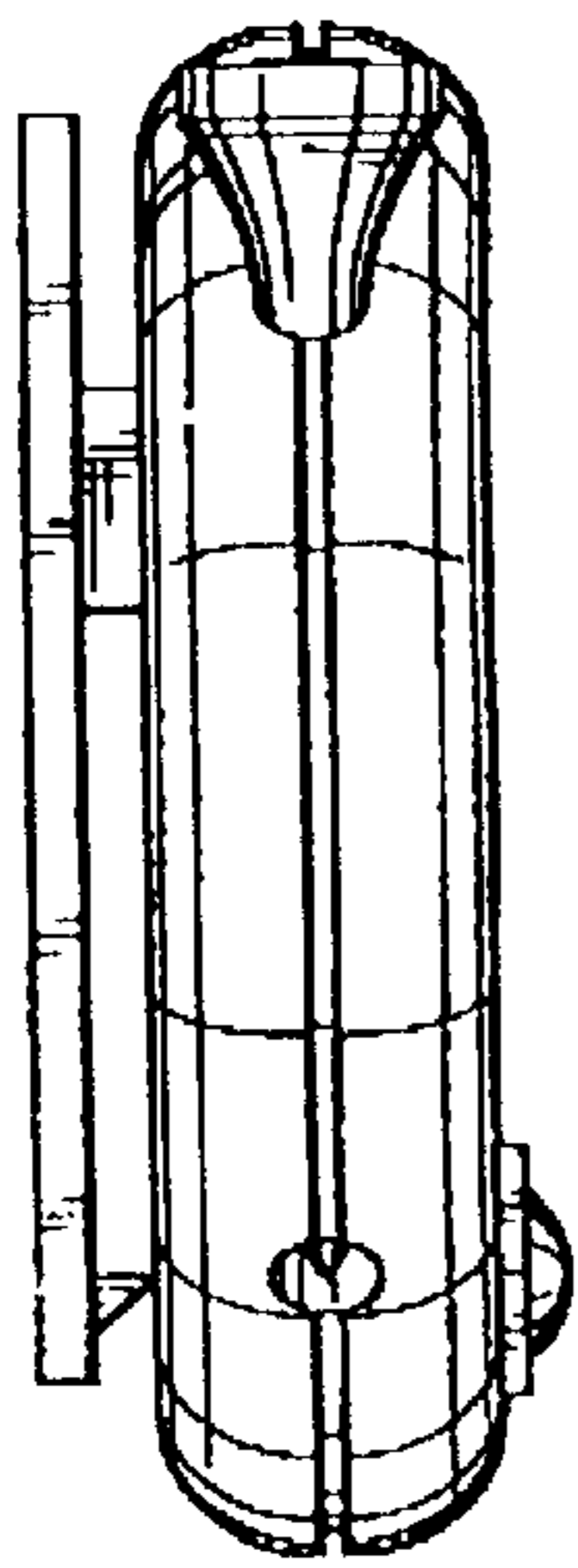
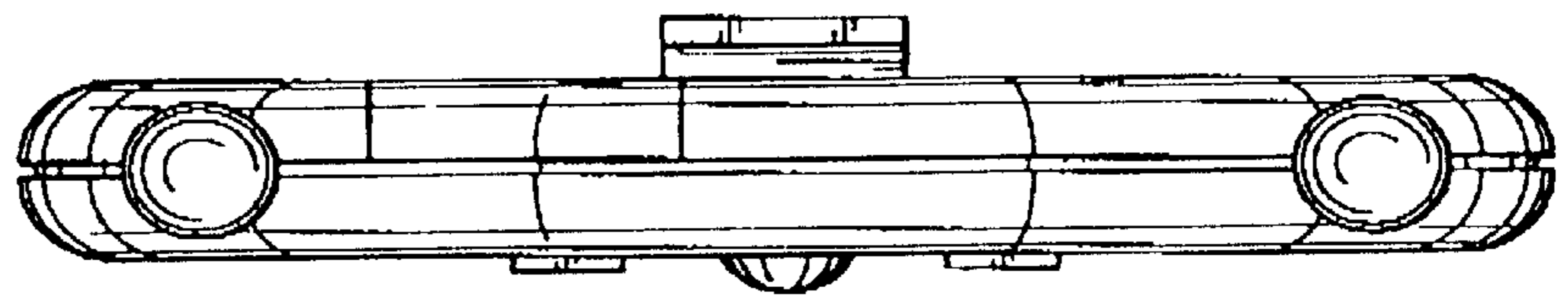


FIG. 3

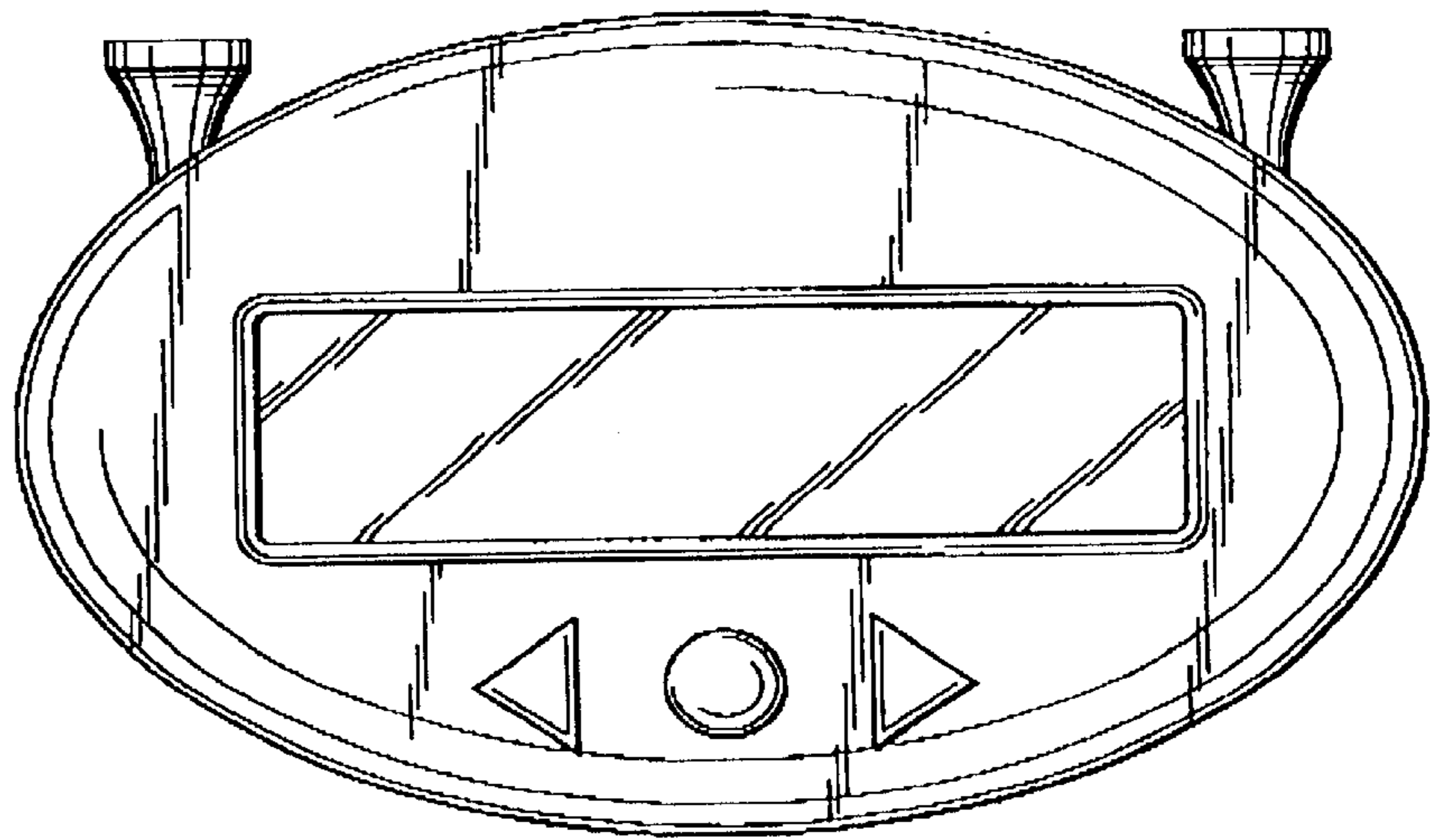


FIG. 2

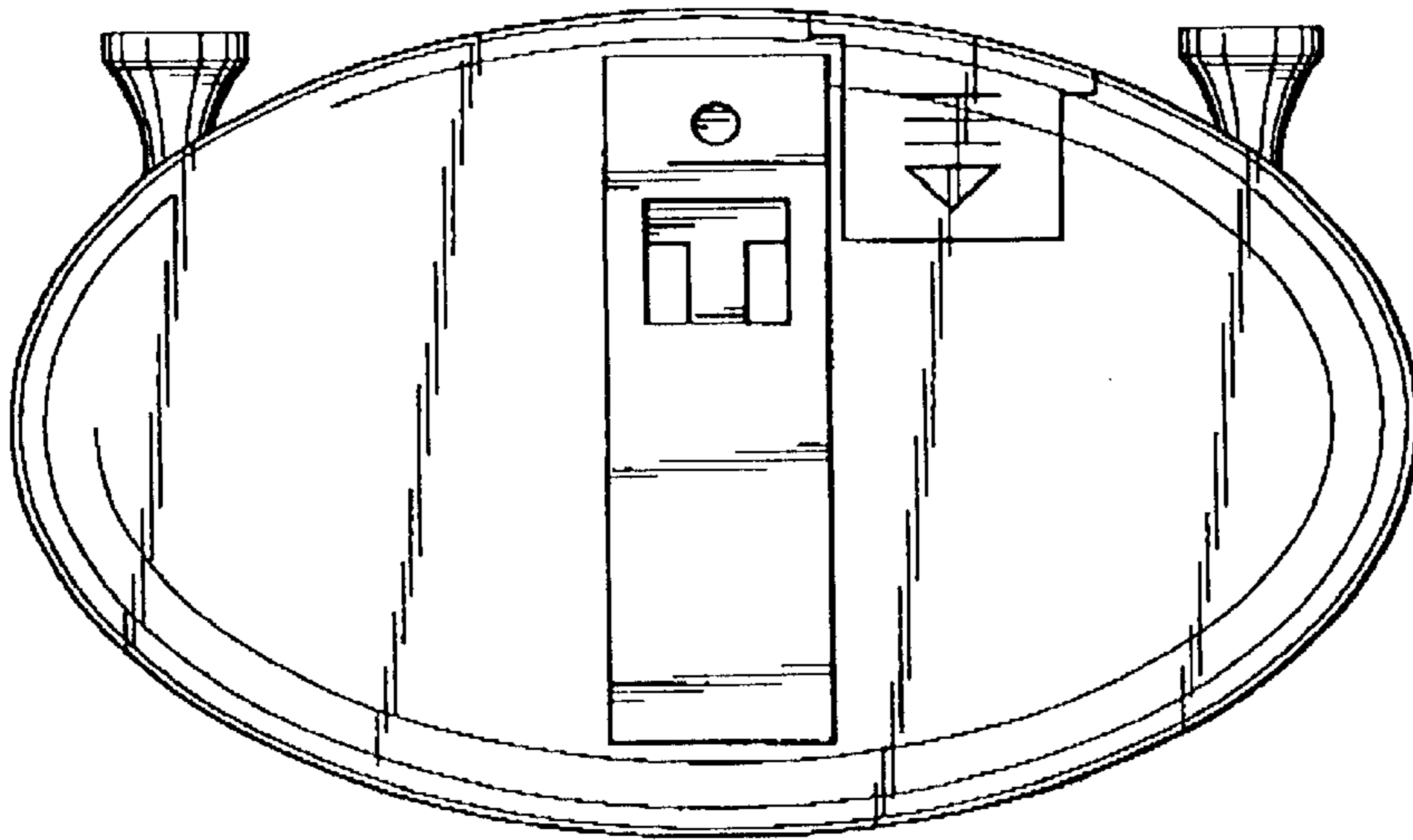


FIG. 5

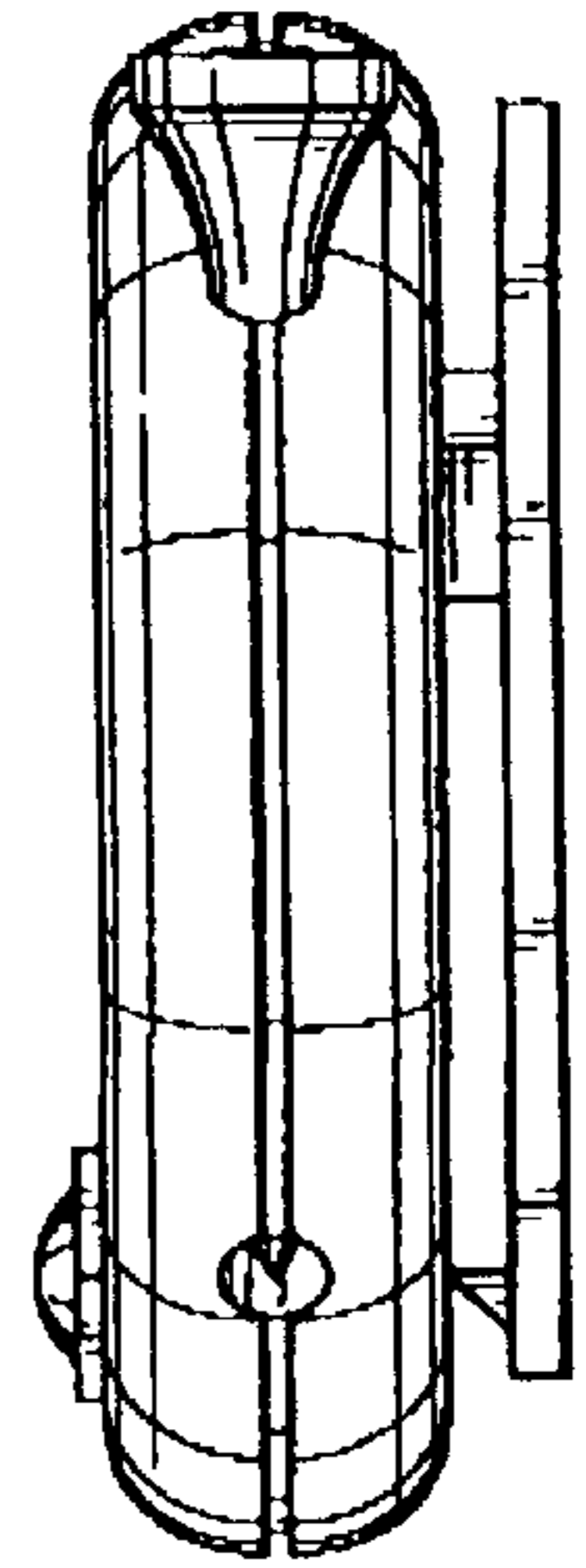


FIG. 6

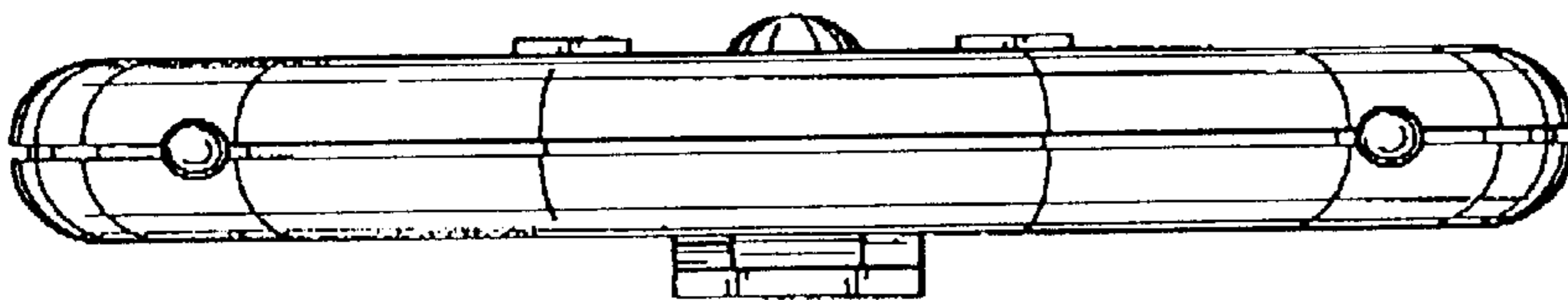


FIG. 7

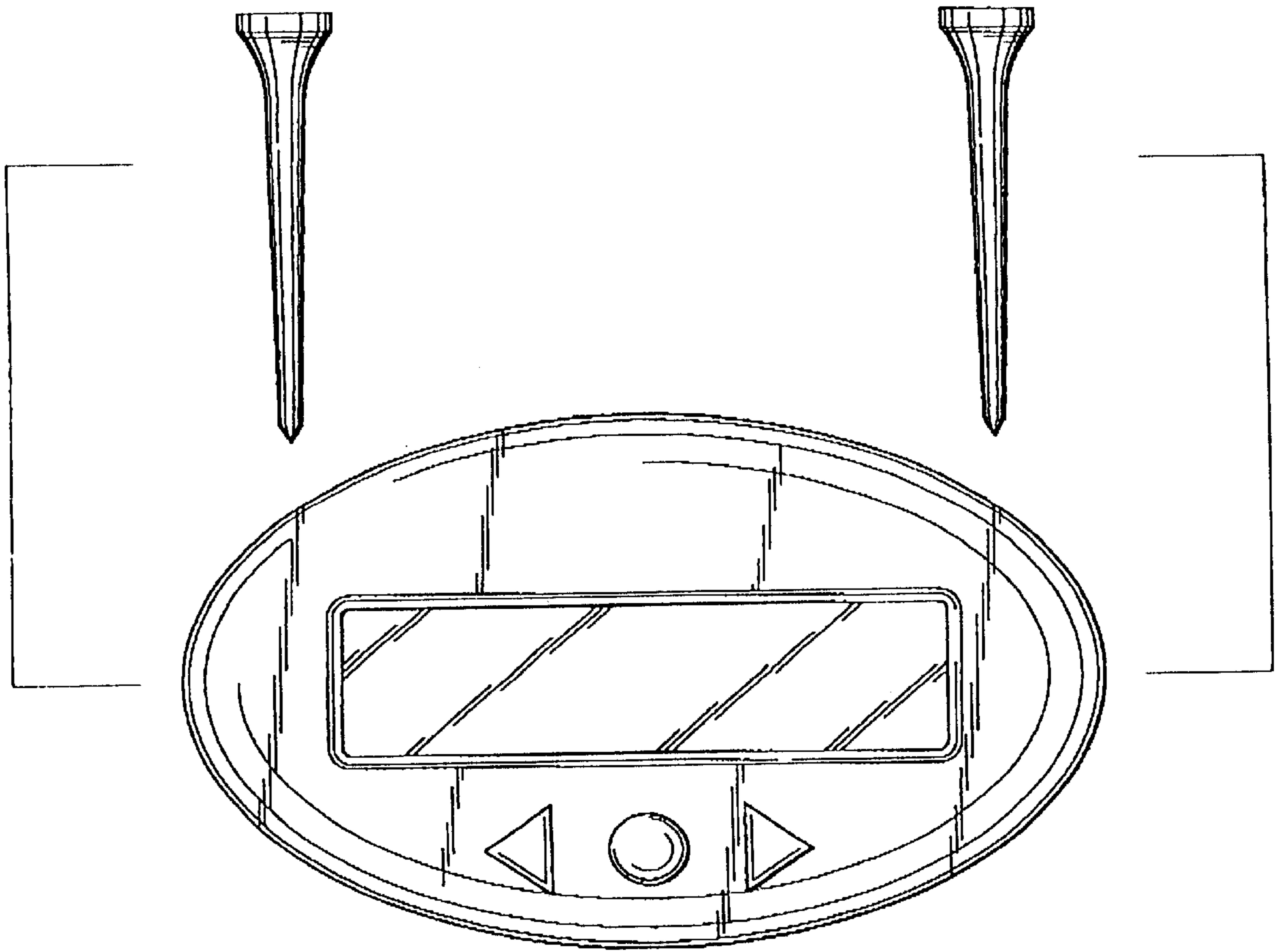


FIG. 8