



US00D449542B1

(12) **United States Design Patent**  
**Stekelenburg**

(10) **Patent No.:** **US D449,542 S**

(45) **Date of Patent:** **\*\* Oct. 23, 2001**

(54) **TIMER**

(75) **Inventor:** **Albert Stekelenburg, Taipei (TW)**

(73) **Assignee:** **All-Time Inc., Taipei (TW)**

(\*\*) **Term:** **14 Years**

(21) **Appl. No.:** **29/140,597**

(22) **Filed:** **Apr. 23, 2001**

(51) **LOC (7) Cl.** ..... **10-03**

(52) **U.S. Cl.** ..... **D10/40**

(58) **Field of Search** ..... D10/1-5, 14-40,  
D10/122-132; D13/137.3, 139.1, 139.3,  
139.4; 200/35 H, 35 R, 36, 37 A, 38 A,  
38 B, 38 F, 38 FA, 38 D, 38 DA, 38 DC,  
38 FB, 38 R; 307/141.4; 368/96-100, 107-113,  
246-248, 276-277, 327

(56) **References Cited**

**U.S. PATENT DOCUMENTS**

D. 288,299 \* 2/1987 Mark ..... D10/40

D. 296,878 \* 7/1988 Rakocy ..... D10/40  
D. 432,441 \* 10/2000 Stekelenburg ..... D10/40  
D. 437,787 \* 2/2001 Ho ..... D10/2  
2,221,863 \* 11/1940 Crane ..... 307/141

\* cited by examiner

*Primary Examiner*—Doris V. Coles

*Assistant Examiner*—Elizabeth A. Albert

(74) *Attorney, Agent, or Firm*—Dougherty & Troxell

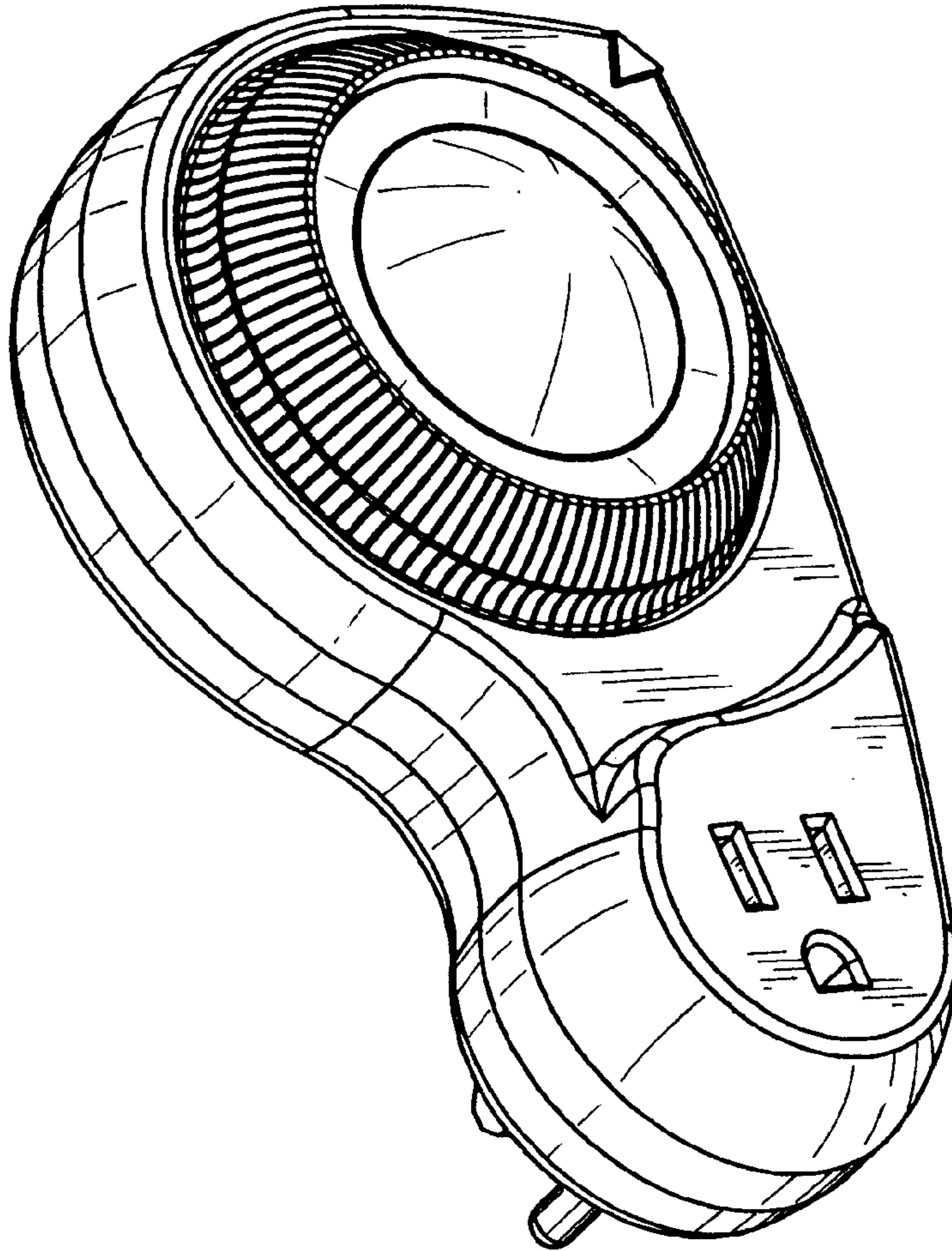
(57) **CLAIM**

The ornamental design for a timer, as shown and described.

**DESCRIPTION**

FIG. 1 is a top view of a timer showing my new design;  
FIG. 2 is a front view thereof;  
FIG. 3 is a right side elevational view thereof;  
FIG. 4 is a bottom view thereof;  
FIG. 5 is a rear view thereof;  
FIG. 6 is a left side elevational view thereof; and,  
FIG. 7 is a perspective view thereof.

**1 Claim, 3 Drawing Sheets**



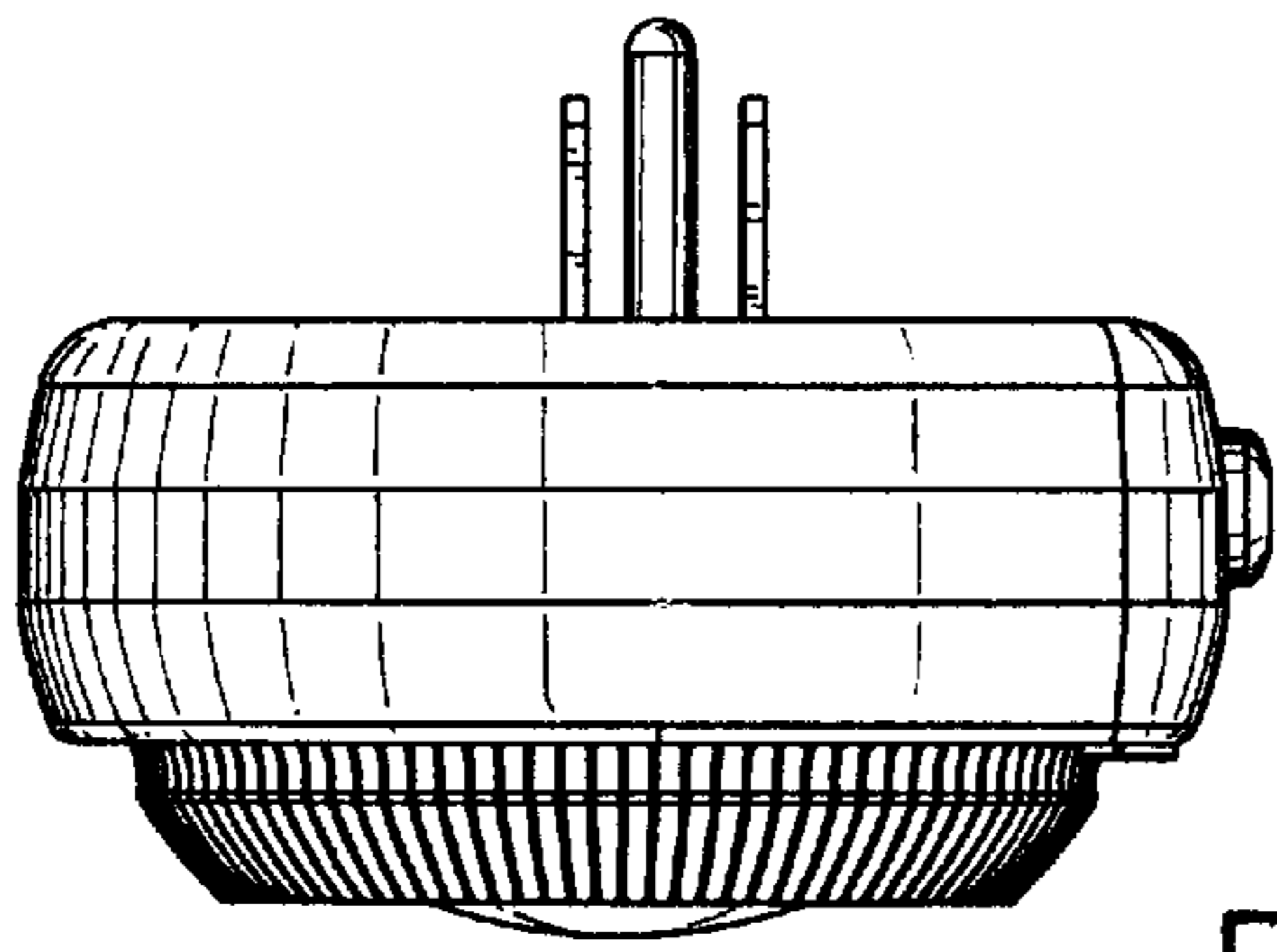


FIG. 1

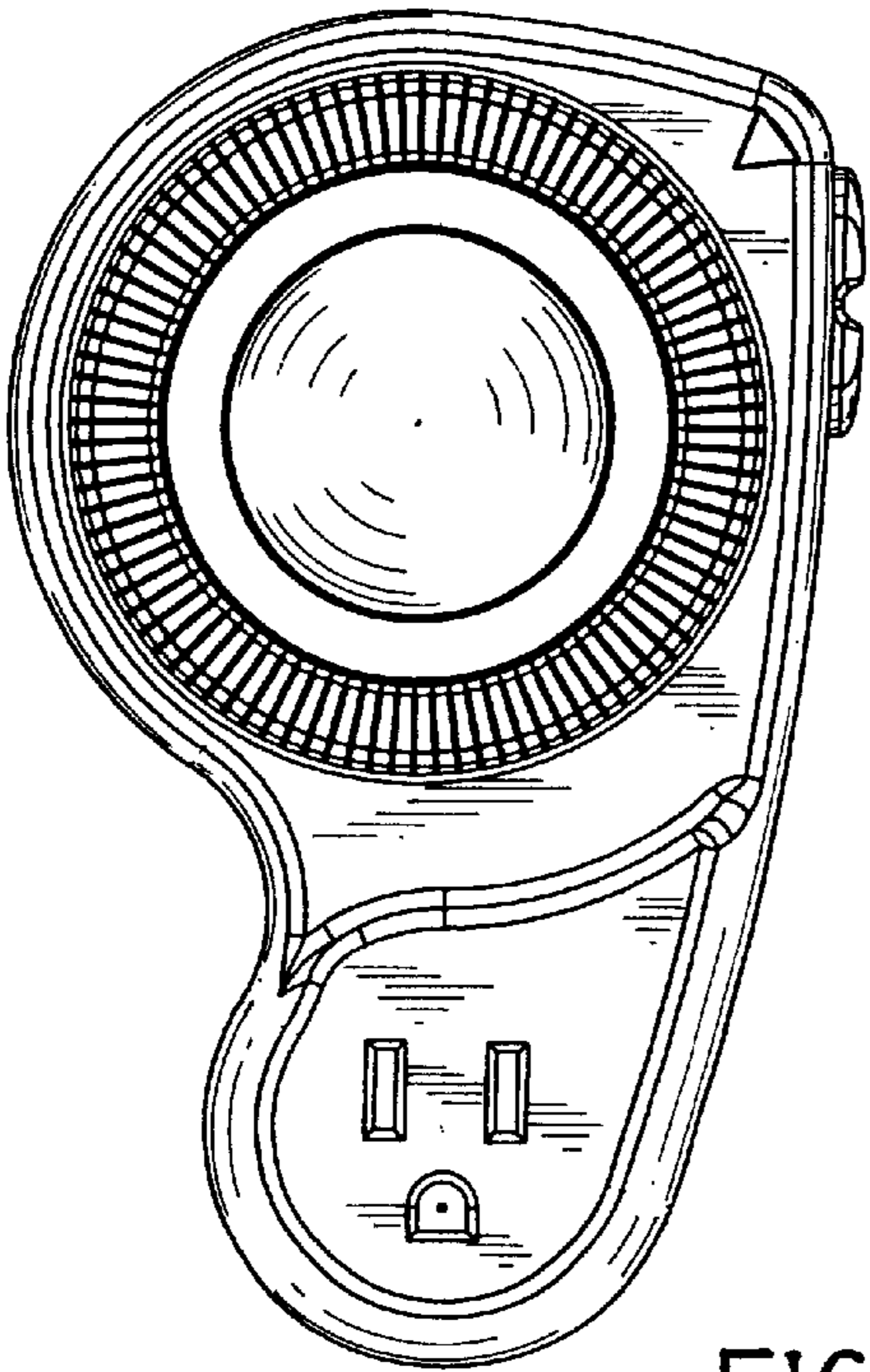


FIG. 2

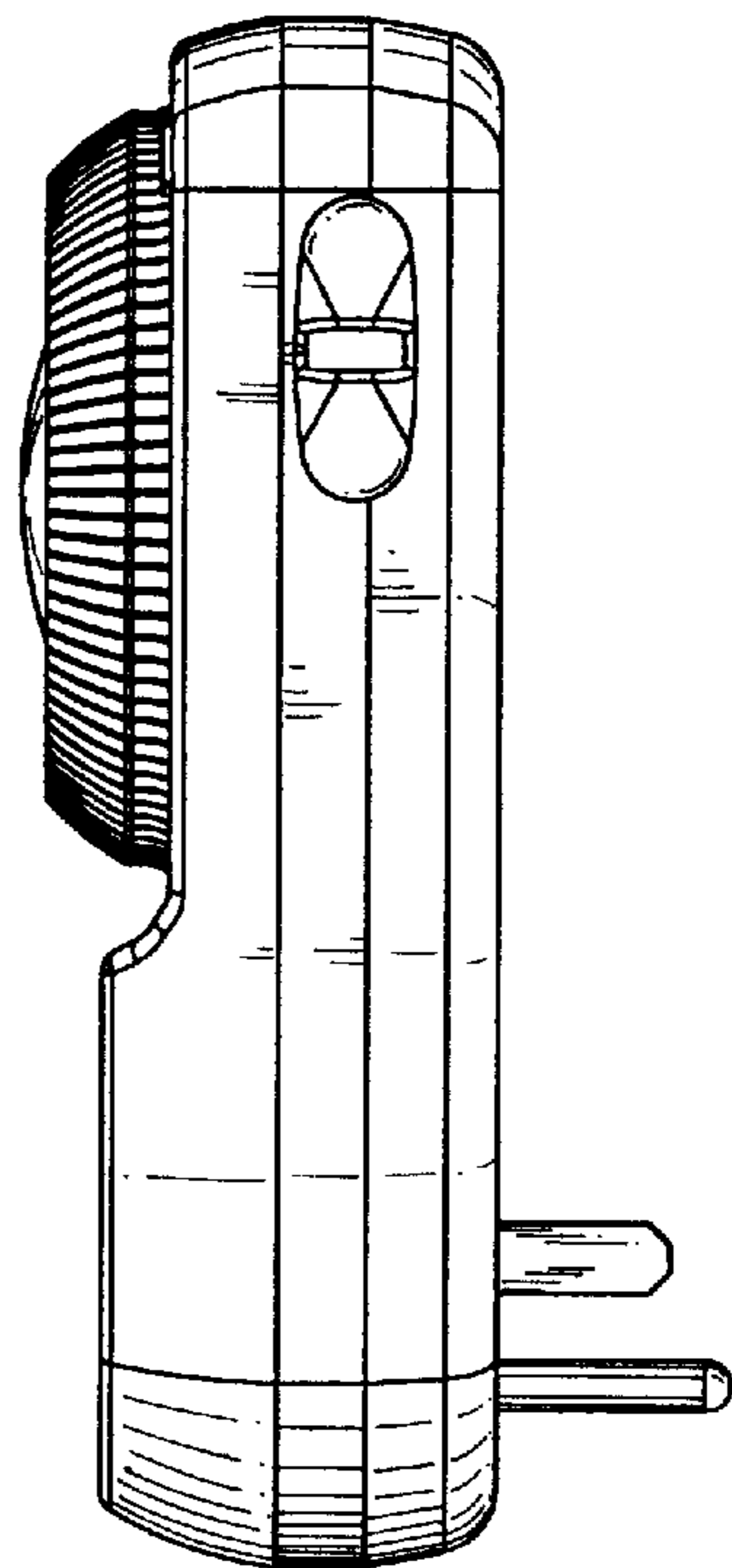


FIG. 3

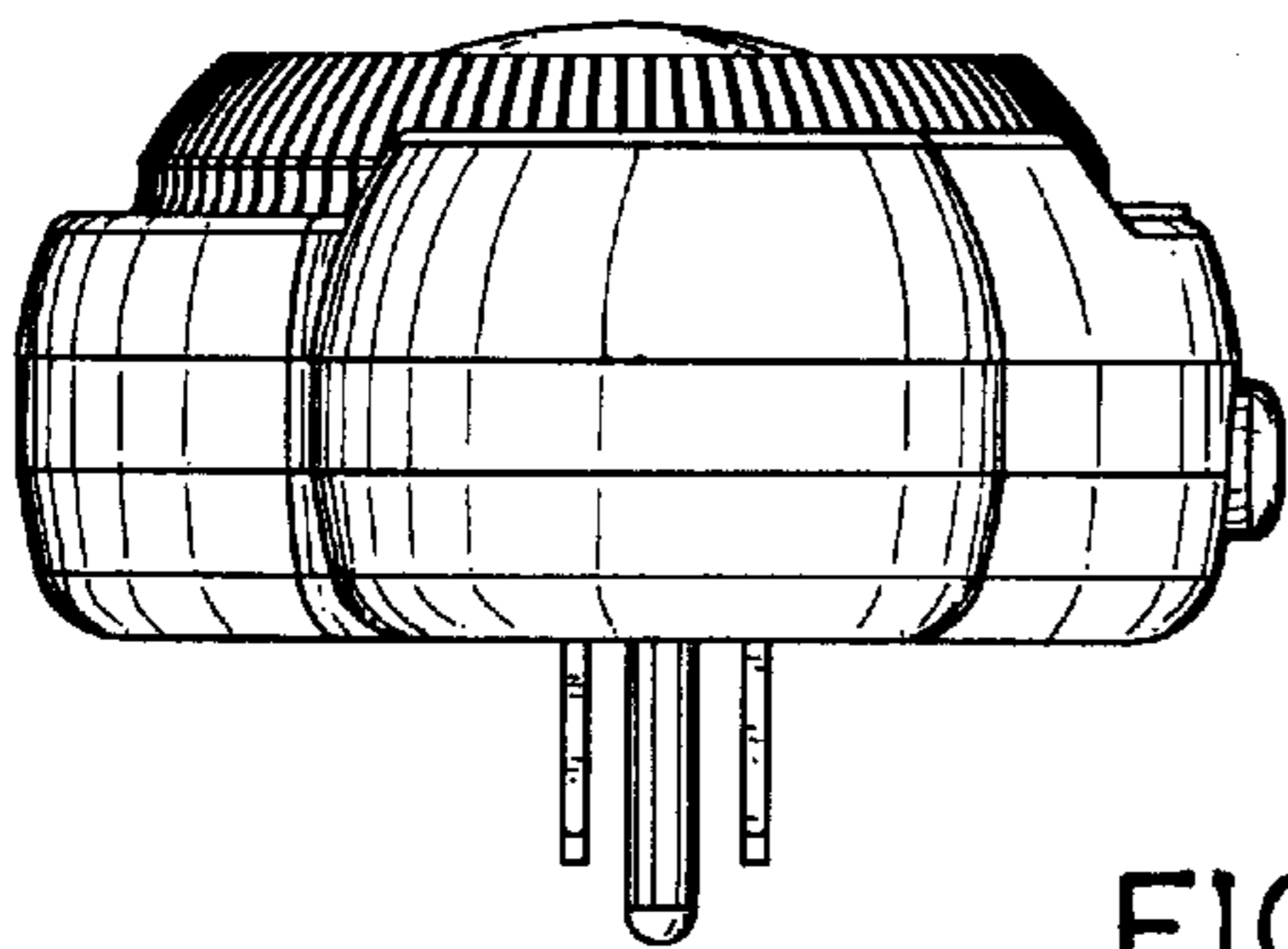


FIG. 4

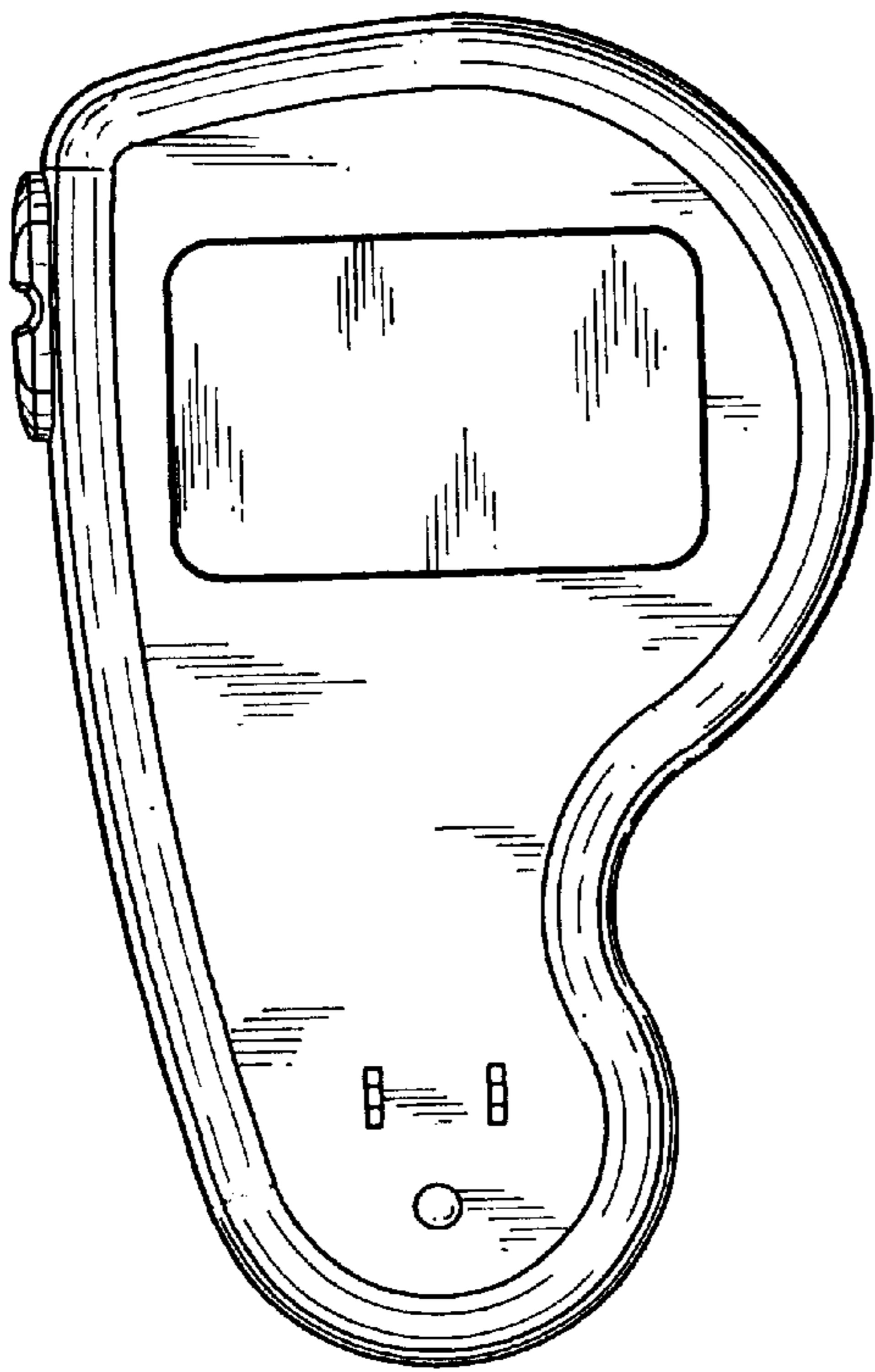


FIG. 5

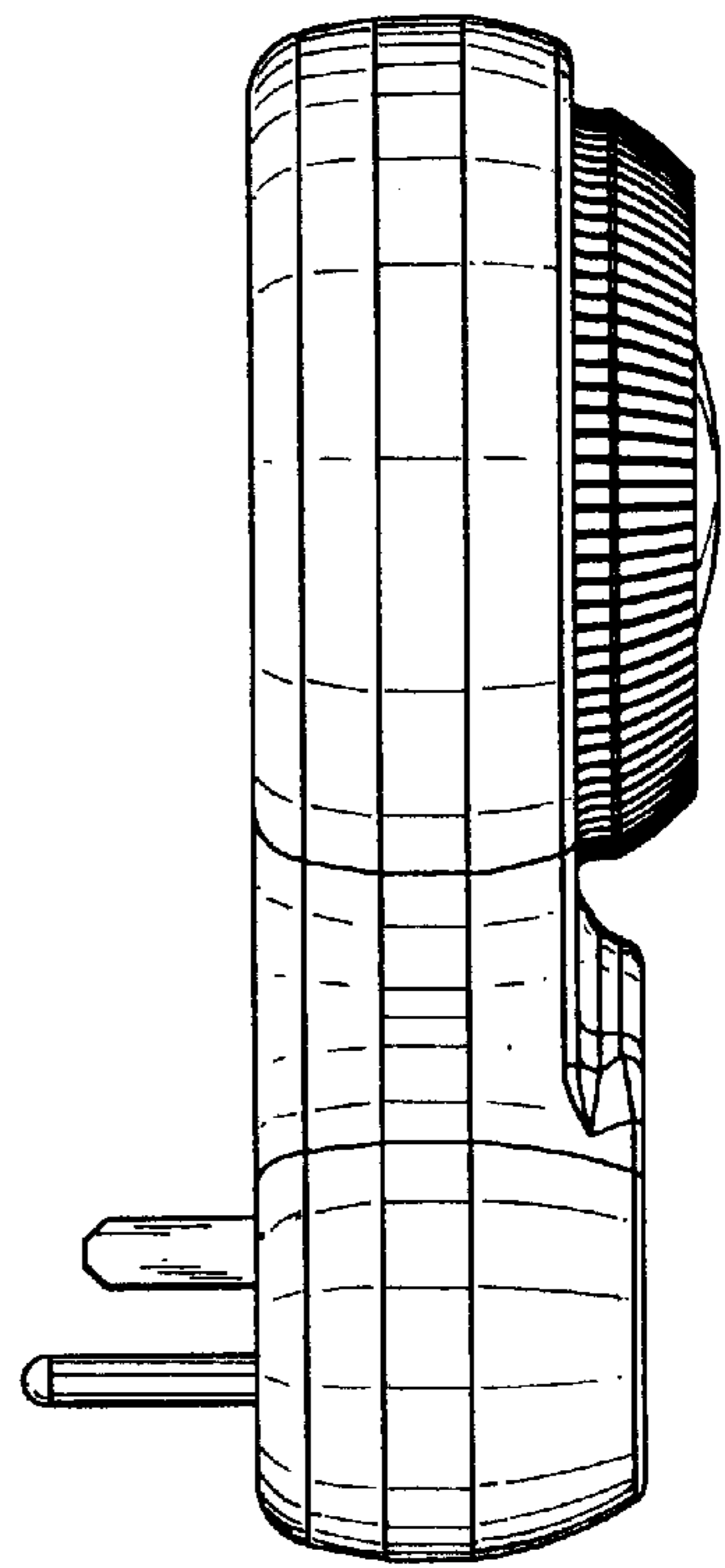


FIG. 6

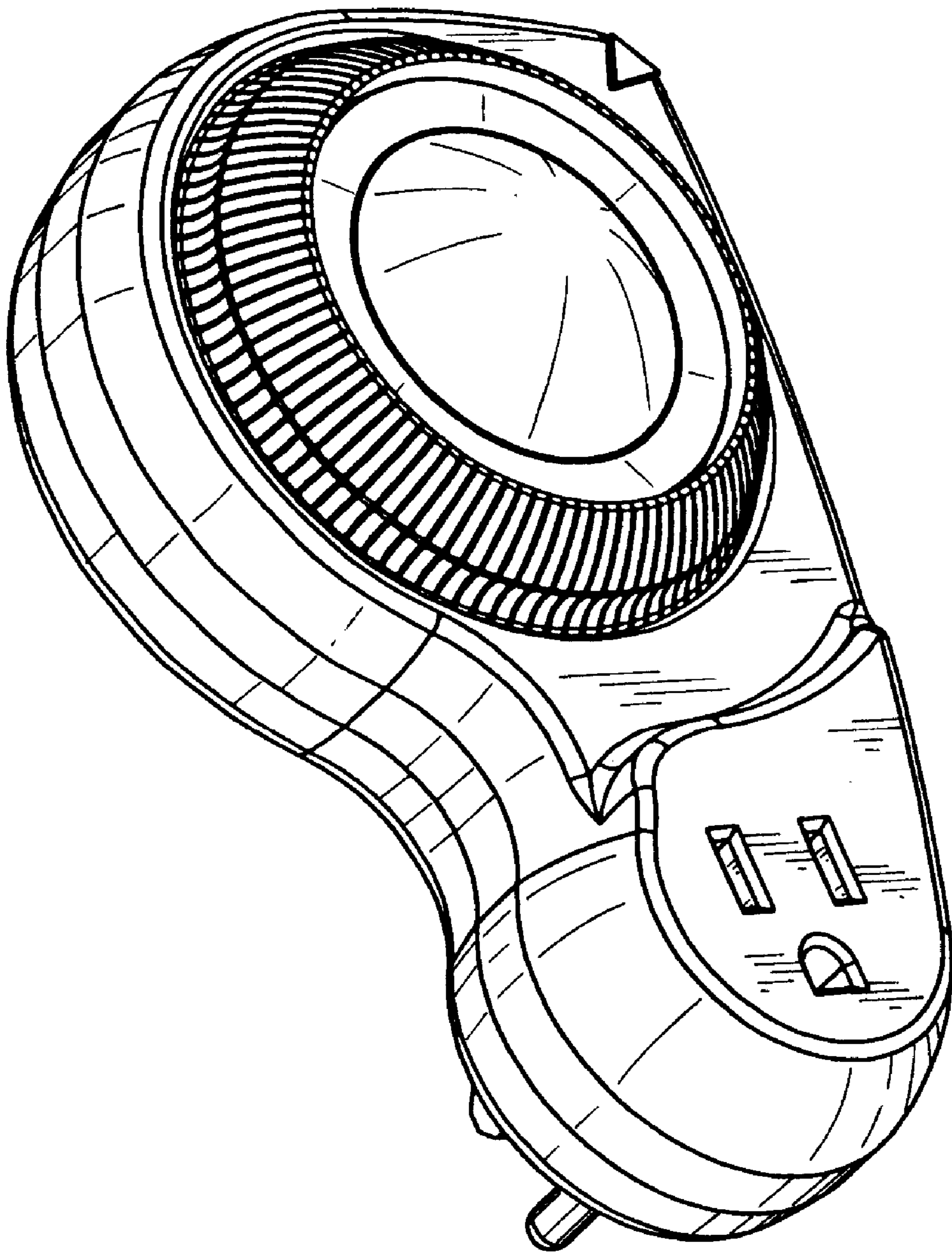


FIG. 7