



US00D449540B1

(12) **United States Design Patent**  
**Hughes**

(10) **Patent No.:** **US D449,540 S**

(45) **Date of Patent:** **\*\* Oct. 23, 2001**

(54) **INSTRUMENT HOLDER**

(76) Inventor: **Jeff Hughes**, 2801 E. Winchcomb,  
Phoenix, AZ (US) 85032

(\*\*) Term: **14 Years**

(21) Appl. No.: **29/133,422**

(22) Filed: **Nov. 29, 2000**

(51) **LOC (7) Cl.** ..... **10-01**

(52) **U.S. Cl.** ..... **D10/6**

(58) **Field of Search** ..... D10/1, 2, 3-15,  
D10/16-18, 19-40, 122-132; 368/10, 276,  
277, 285, 316, 317; D15/1, 3, 5, 6; D14/165

(56) **References Cited**

**U.S. PATENT DOCUMENTS**

- D. 277,485 \* 2/1985 Iwakura et al. .... D15/3
- D. 277,756 \* 2/1985 Davidson ..... D15/1
- D. 294,264 \* 2/1988 Davidson et al. .... D15/3
- D. 338,411 \* 8/1993 Dupont ..... D10/12
- D. 348,881 \* 7/1994 Peersmann ..... D14/165

D. 367,615 \* 3/1996 Kurczynski ..... D10/12

\* cited by examiner

*Primary Examiner*—Martie K. Holtje

(74) *Attorney, Agent, or Firm*—Cislo & Thomas LLP

(57) **CLAIM**

The ornamental design for a instrument holder, as shown and described herein.

**DESCRIPTION**

FIG. 1. Is a perspective view of my instrument holder, with the dotted line showing therein in FIGS. 2 and 6 being for illustrative purposes only and not forming part of the claimed design;

FIG. 2. Is a front view thereof;

FIG. 3. Is a top view thereof;

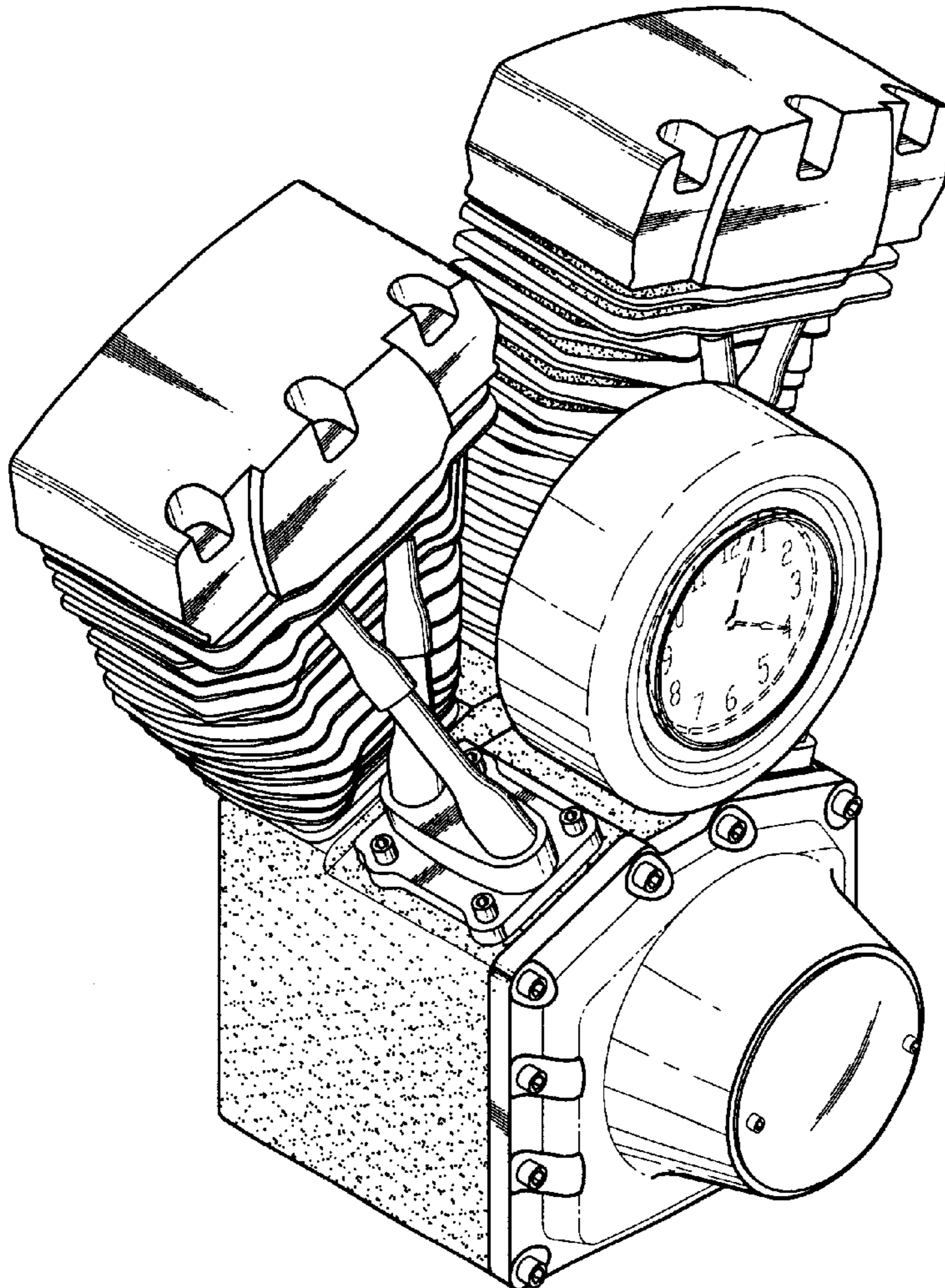
FIG. 4. Is a right side elevational view thereof;

FIG. 5. Is a left side elevational view thereof;

FIG. 6. Is a rear view thereof; and,

FIG. 7. Is a bottom view thereof.

**1 Claim, 3 Drawing Sheets**



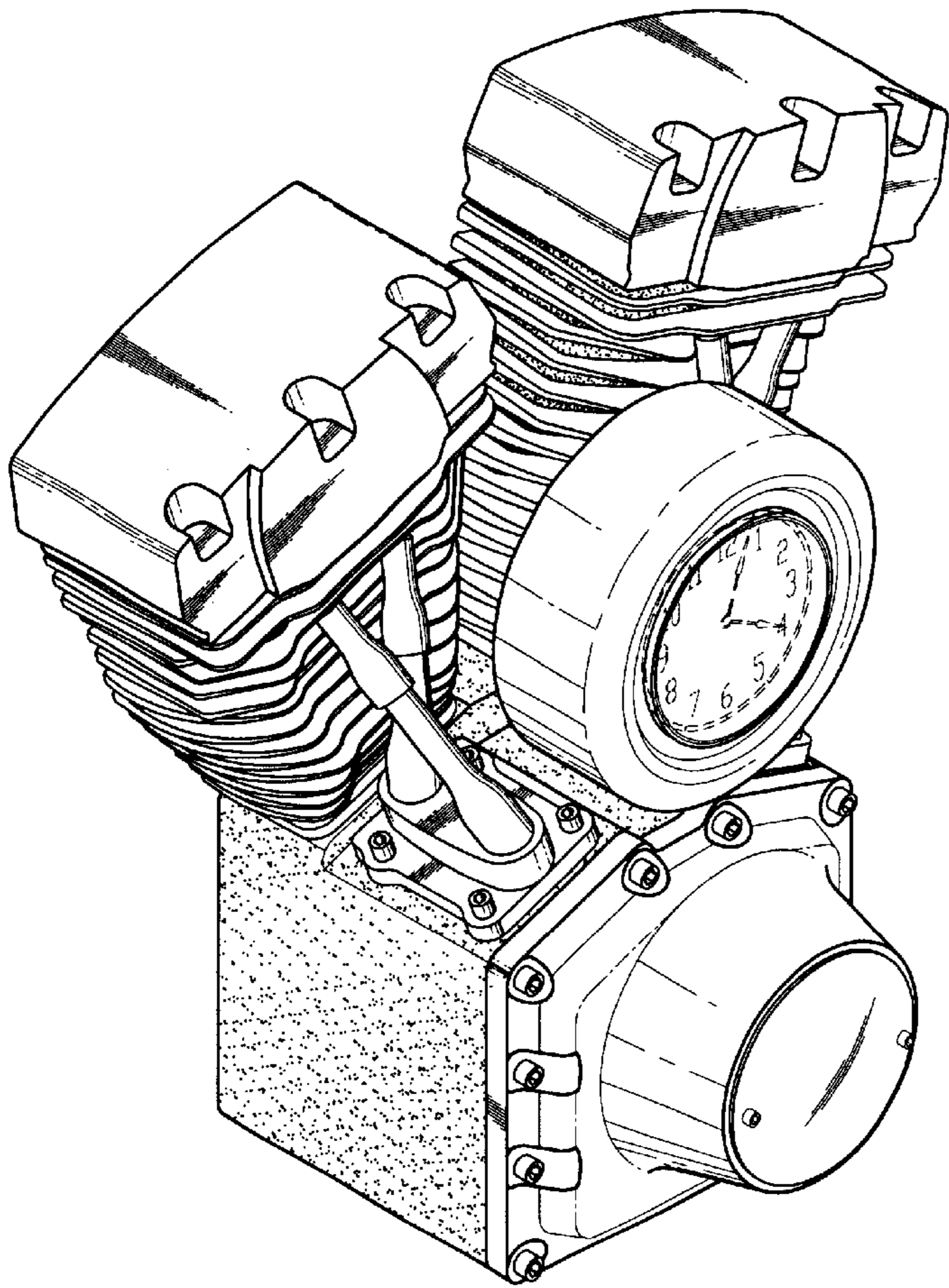


FIG. 1

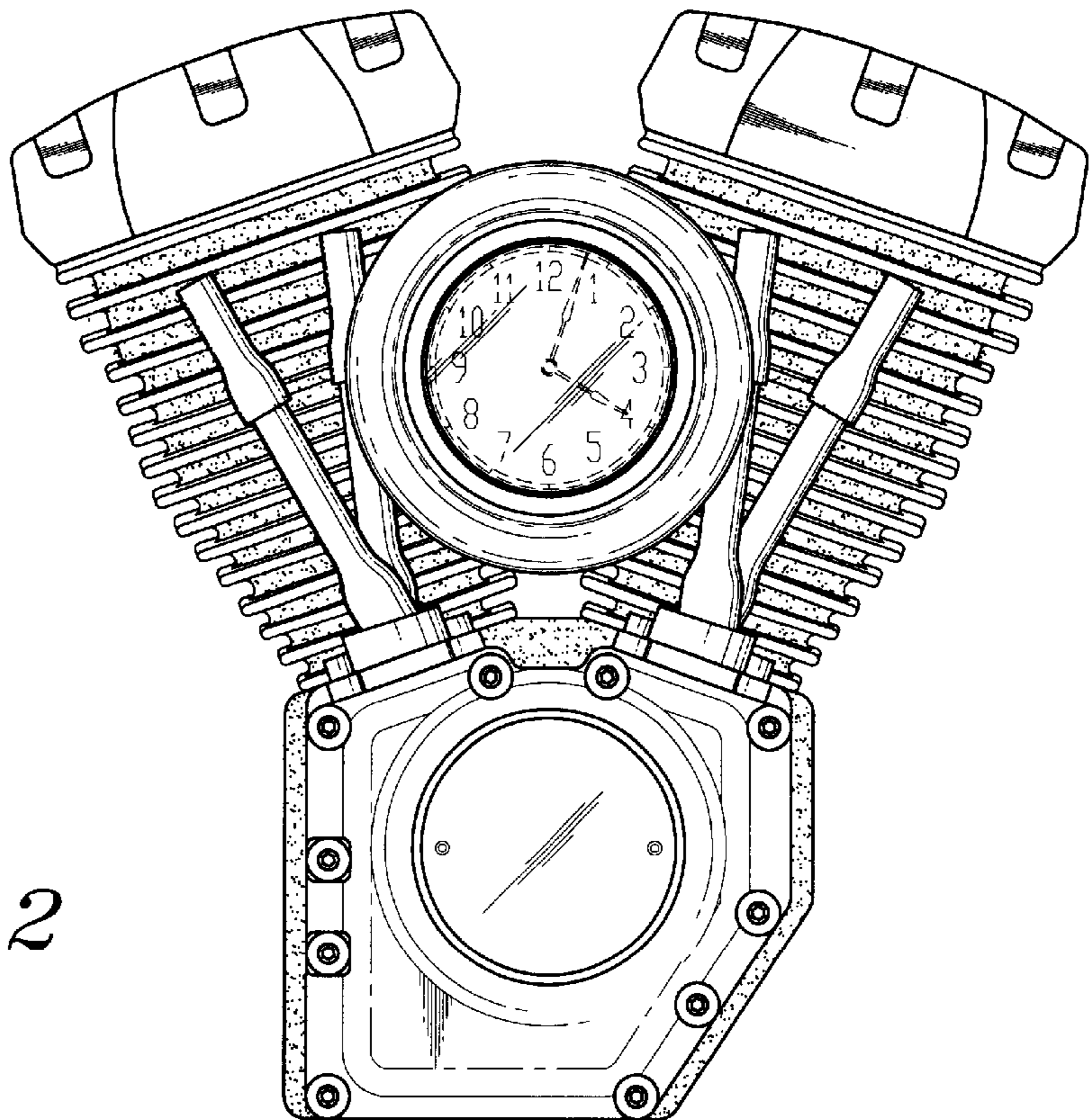
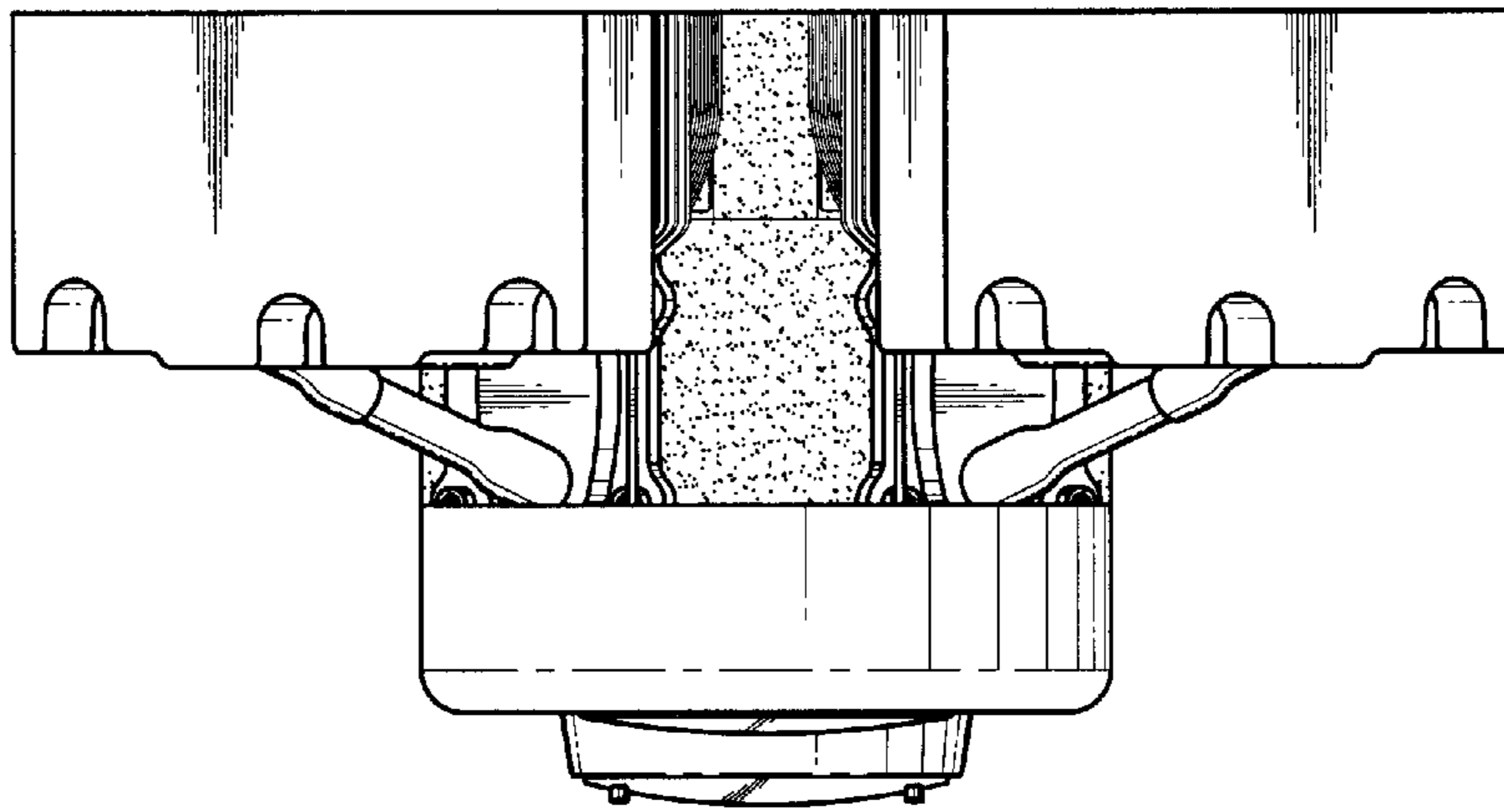
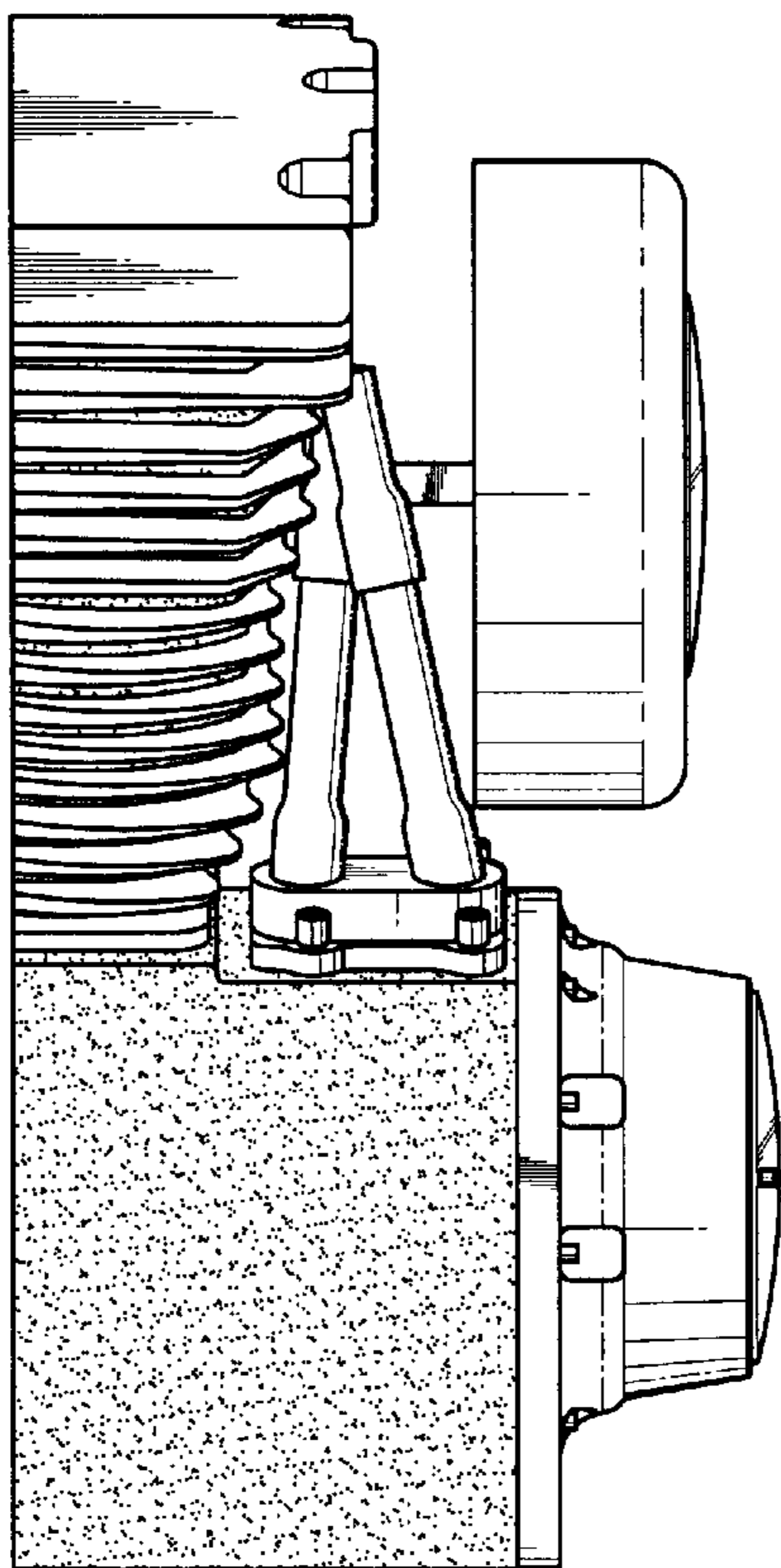


FIG. 2

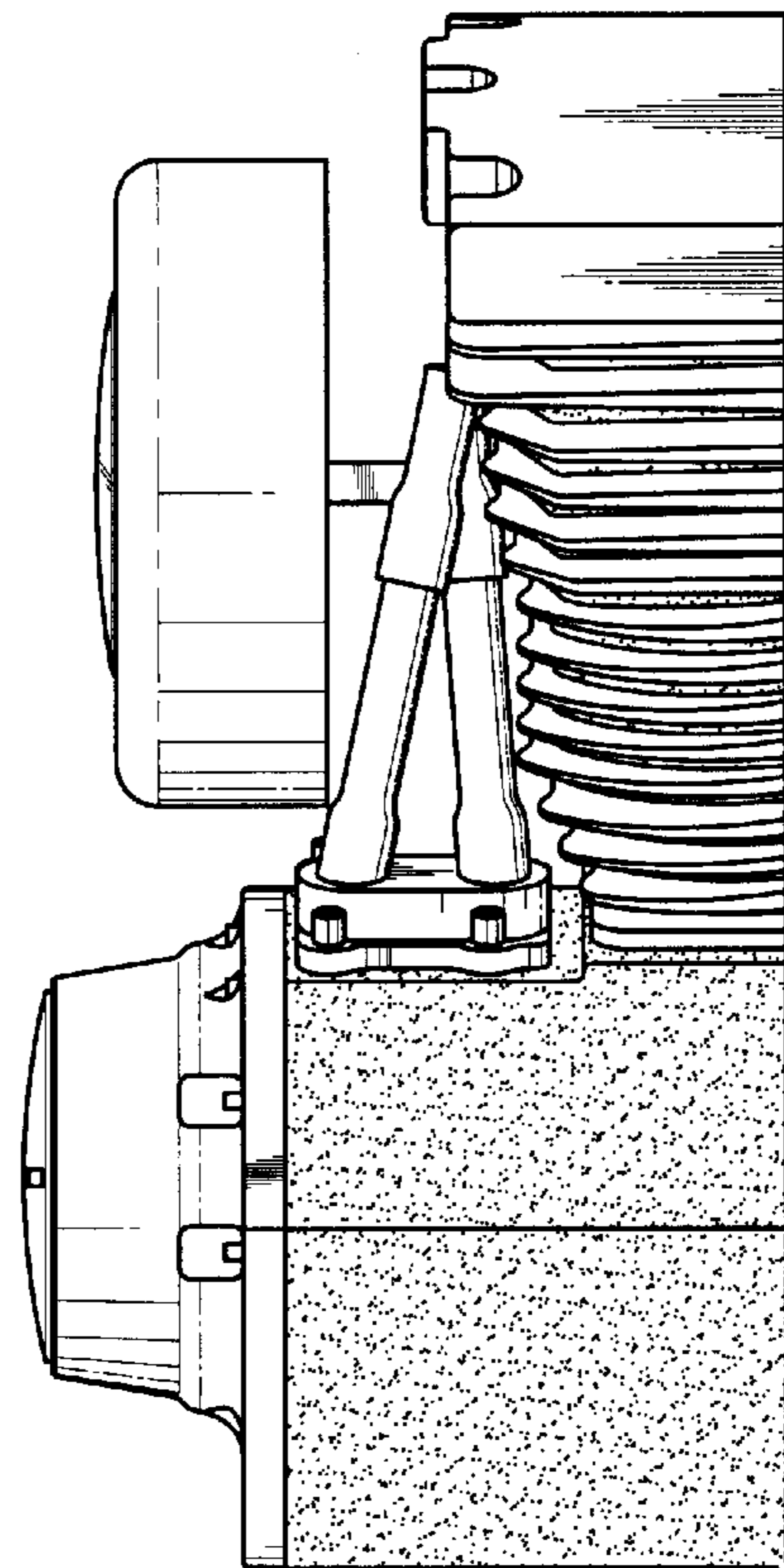




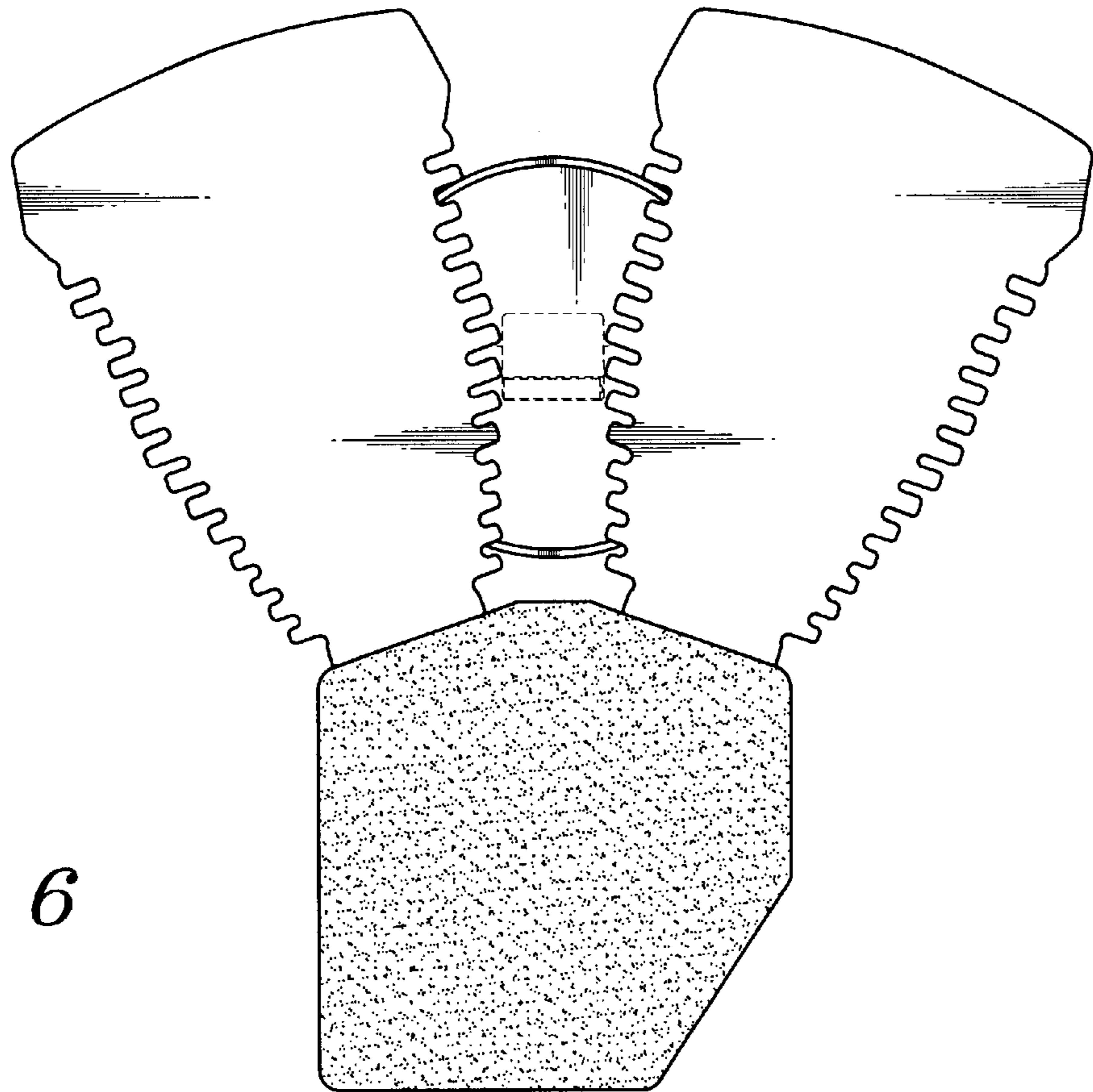
*FIG. 3*



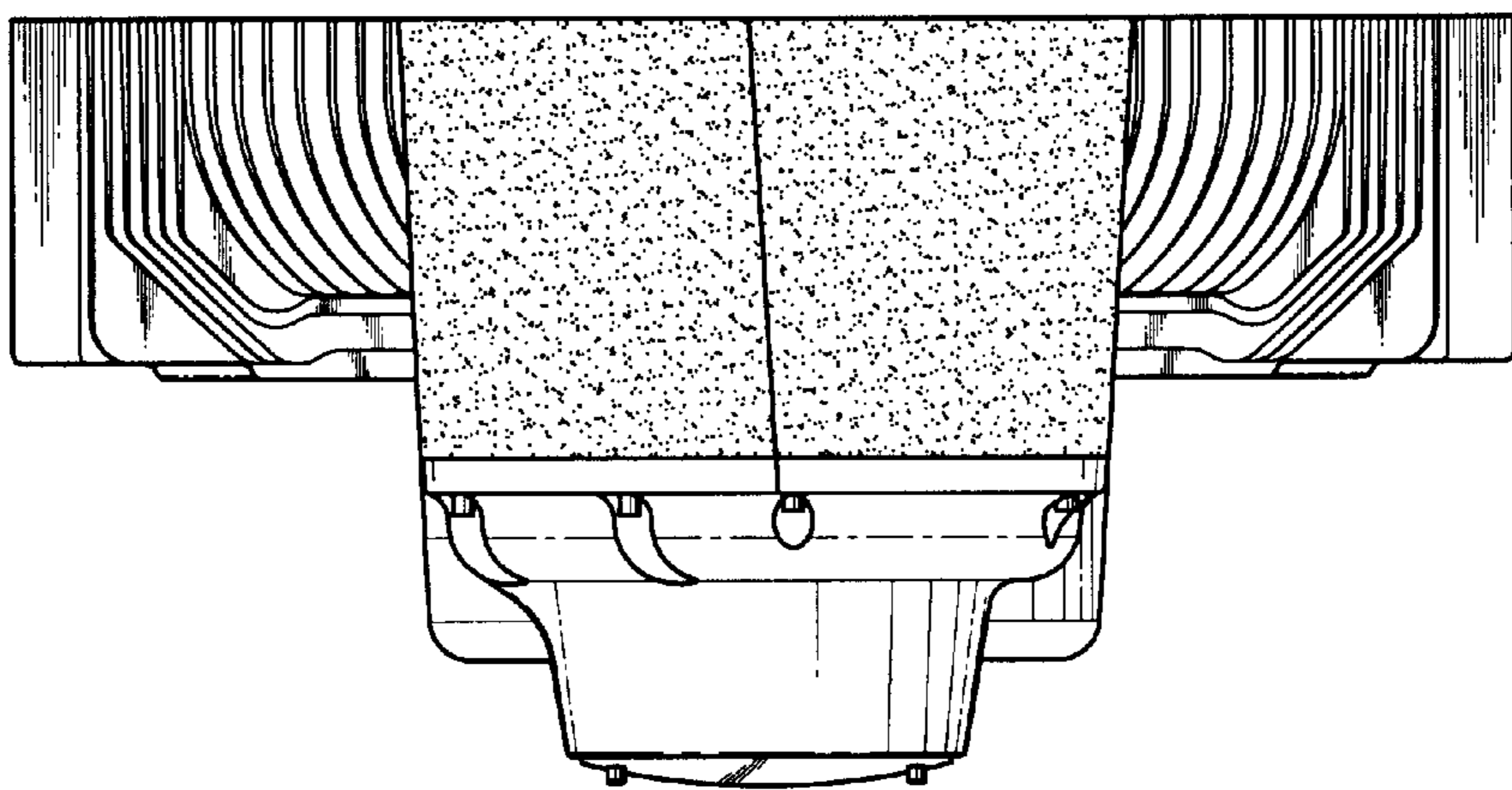
*FIG. 4*



*FIG. 5*



*FIG. 6*



*FIG. 7*