



US00D449538B1

(12) **United States Design Patent**
Burleson et al.

(10) **Patent No.:** **US D449,538 S**

(45) **Date of Patent:** **** Oct. 23, 2001**

(54) **BOTTLE**

(75) Inventors: **Tim E. Burleson; T. E. Burleson, Jr.; Jim Phillips**, all of Waxahachie, TX (US)

(73) Assignee: **Burleson's, Inc.**, Waxahachie, TX (US)

(**) Term: **14 Years**

(21) Appl. No.: **29/114,204**

(22) Filed: **Nov. 19, 1999**

(51) **LOC (7) Cl.** **09-01**

(52) **U.S. Cl.** **D9/530; D9/543; D9/560; D9/565; D9/567**

(58) **Field of Search** **D9/516, 530, 540, D9/560, 565, 567, 575, 549, 551, 552, 554, 557, 558, 562, 564, 569, 570, 574; 215/381-384, 396, 398**

(56) **References Cited**

U.S. PATENT DOCUMENTS

- D. 22,423 * 5/1893 Hofmann et al. D9/502
- D. 60,556 * 3/1922 Marble D9/502

(List continued on next page.)

OTHER PUBLICATIONS

“BeeMaid Natural Honey”, Uniloy Bottle #70186, 2 pages.
“Burleson’s Family of Honey”, T. W. Burleson & Son, Inc., Waxahachie, Texas, 2 pages.

“Burleson’s—Your Source For Pocahontas Honey”, Old 5# HDPE, T. W. Burleson & Son, Inc., Waxahachie, Texas, 2 pages.

“Burleson’s Pure Honey”, Clover 80 oz., 1 page, (Aug. 3, 1995).

Primary Examiner—Philip S. Hyder

Assistant Examiner—Carol Rademaker

(74) *Attorney, Agent, or Firm*—Merchant & Gould P.C.

(57) **CLAIM**

The ornamental design for a bottle, as shown and described.

DESCRIPTION

FIG. 1 is a front elevational view of a bottle according to our new design;

FIG. 2 is a top plan view of the bottle of FIG. 1;

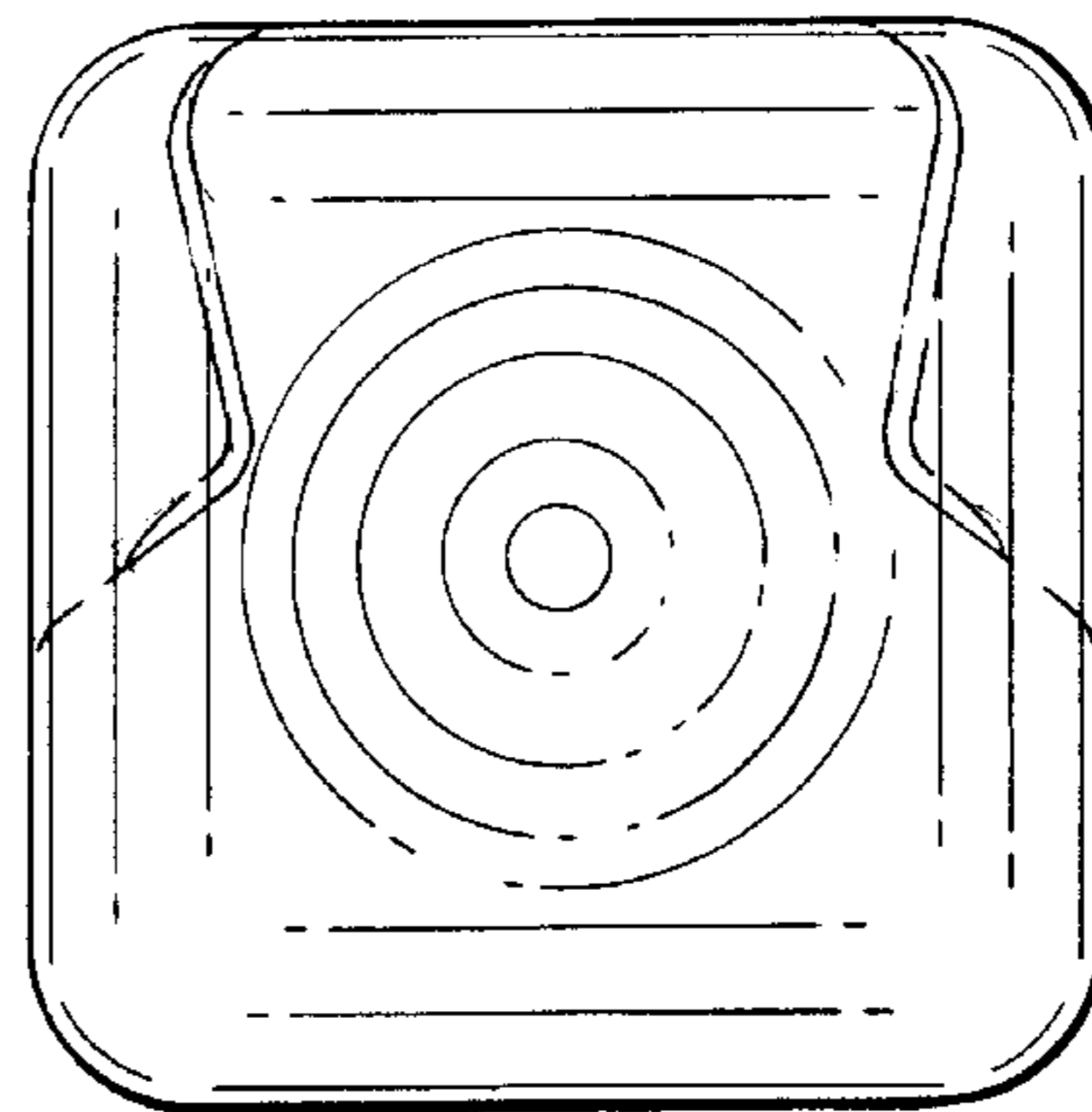
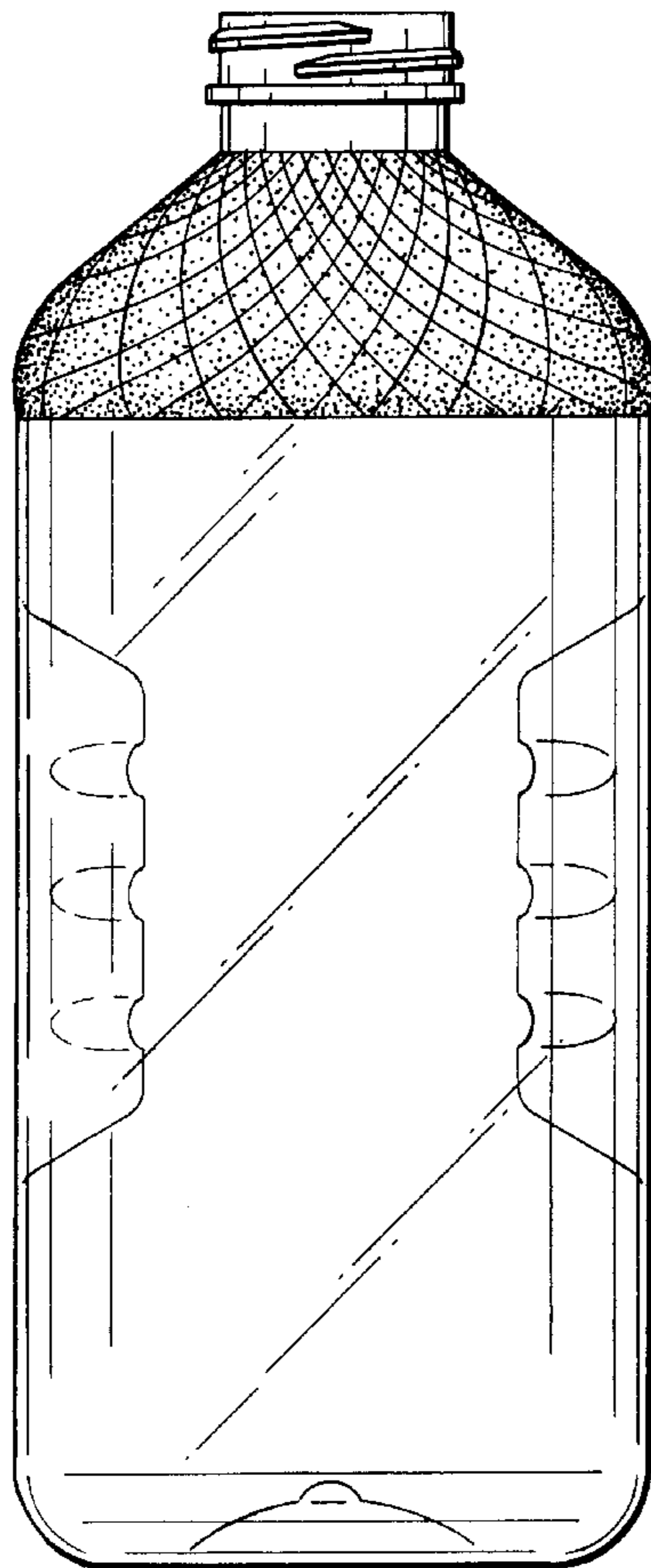
FIG. 3 is a bottom plan view of the bottle of FIG. 1;

FIG. 4 is a side elevational view of the bottle of FIG. 1;

FIG. 5 is a rear elevational view of the bottle of FIG. 1; and,

FIG. 6 is an opposite side elevational view of the bottle of FIG. 4.

1 Claim, 2 Drawing Sheets



US D449,538 S

Page 2

U.S. PATENT DOCUMENTS

D. 95,989	*	9/1935	Sakier	D9/545	D. 382,807	8/1997	Silvers et al. .		
D. 105,655		8/1937	Drach .		D. 383,067	9/1997	Gower et al. .		
D. 112,800		1/1939	Watson .		D. 387,672	12/1997	Biesecker .		
D. 155,134	*	9/1949	Dykstra	D9/568	D. 389,067	1/1998	Lown .		
D. 159,616	*	8/1950	Hoffman	D9/557	D. 390,114	2/1998	Young .		
D. 178,529	*	8/1956	Lorenzen	D9/555	D. 395,826	7/1998	Hygaard, Sr. .		
D. 198,404		6/1964	Busch .		D. 396,640	8/1998	Conrad et al. .		
D. 198,407		6/1964	Busch .		D. 397,614	9/1998	Krishnakumar et al. .		
D. 217,439		5/1970	Platte .		D. 397,941	9/1998	Lauth .		
D. 231,904		6/1974	Boden .		D. 402,896	12/1998	Conrad .		
D. 258,346		2/1981	Winchell et al. .		D. 404,306	1/1999	Steinke .		
D. 258,720		3/1981	Evans et al. .		D. 407,318	*	3/1999	Finlay et al. D9/538	
D. 269,500		6/1983	Bit .		D. 411,457	*	6/1999	Ruda et al. D9/538	
D. 297,308		8/1988	Lyons .		D. 411,740	*	6/1999	Kim	D9/335
D. 318,011		7/1991	Biesecker .		D. 413,520	*	9/1999	Comper	D9/553
D. 318,798		8/1991	Biesecker .		D. 425,431	*	5/2000	Omidian	D9/553
D. 319,011		8/1991	Biesecker .		D. 428,342	*	7/2000	Stoller	D9/542
D. 319,584		9/1991	Biesecker .		D. 432,919	*	10/2000	Spring	D9/538
D. 328,420	*	8/1992	Miller	D9/502	D. 433,948	*	11/2000	Stoller	D9/543
D. 346,329		4/1994	Biesecker, II .		D. 441,660	*	5/2001	Denner et al.	D9/571
D. 348,837		7/1994	Feen .		4,993,565		2/1991	Ota et al. .	
D. 369,556	*	5/1996	Launder et al.	D9/553	5,141,120		8/1992	Brown et al. .	
D. 379,306		5/1997	Peykoff .		5,472,105		12/1995	Krishnakumar et al. .	
D. 379,763		6/1997	Ewing, Jr. .		5,598,941		2/1997	Semensky et al. .	
D. 381,274	*	7/1997	Luh et al.	D9/566					

* cited by examiner

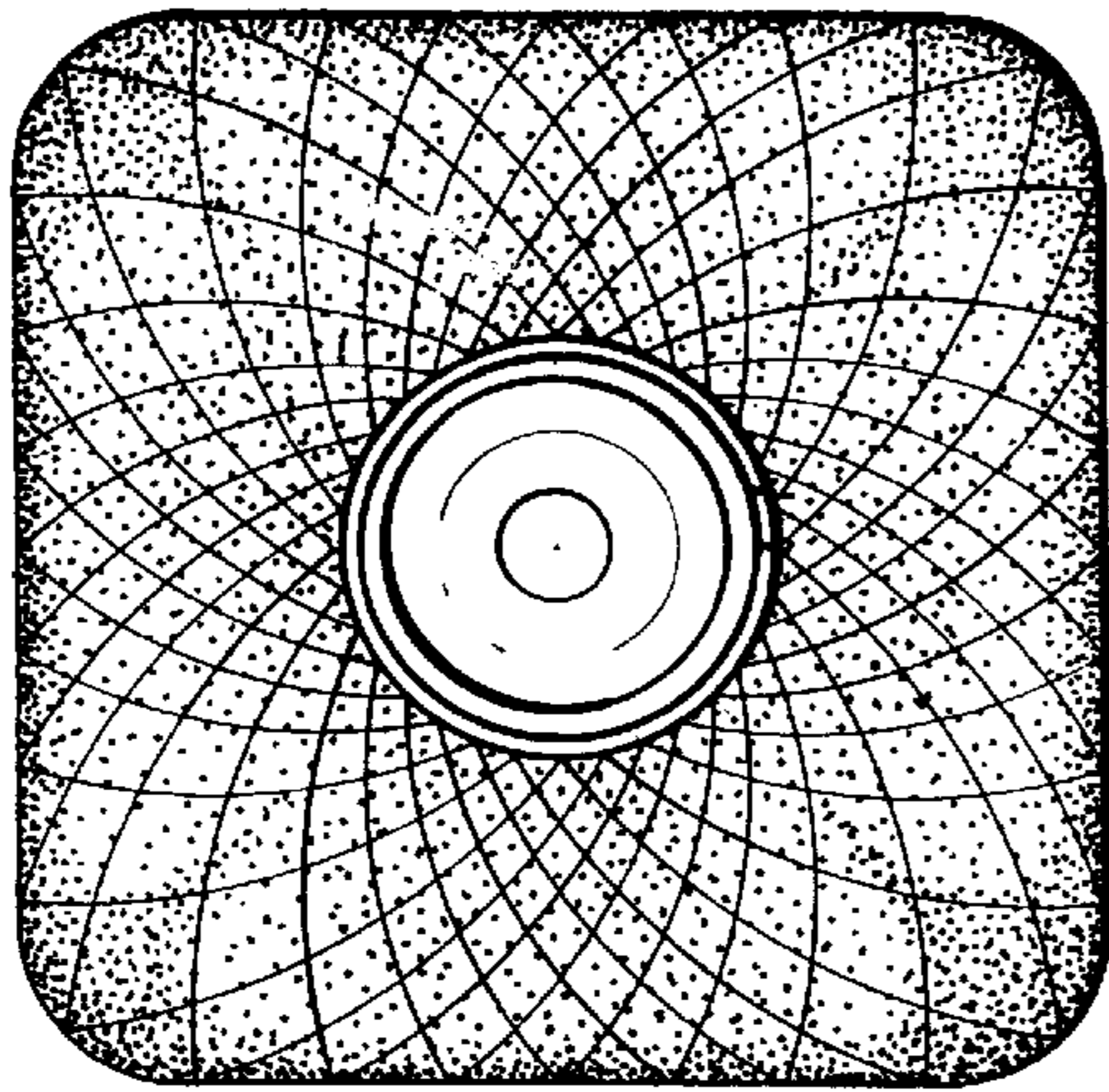


FIG. 2

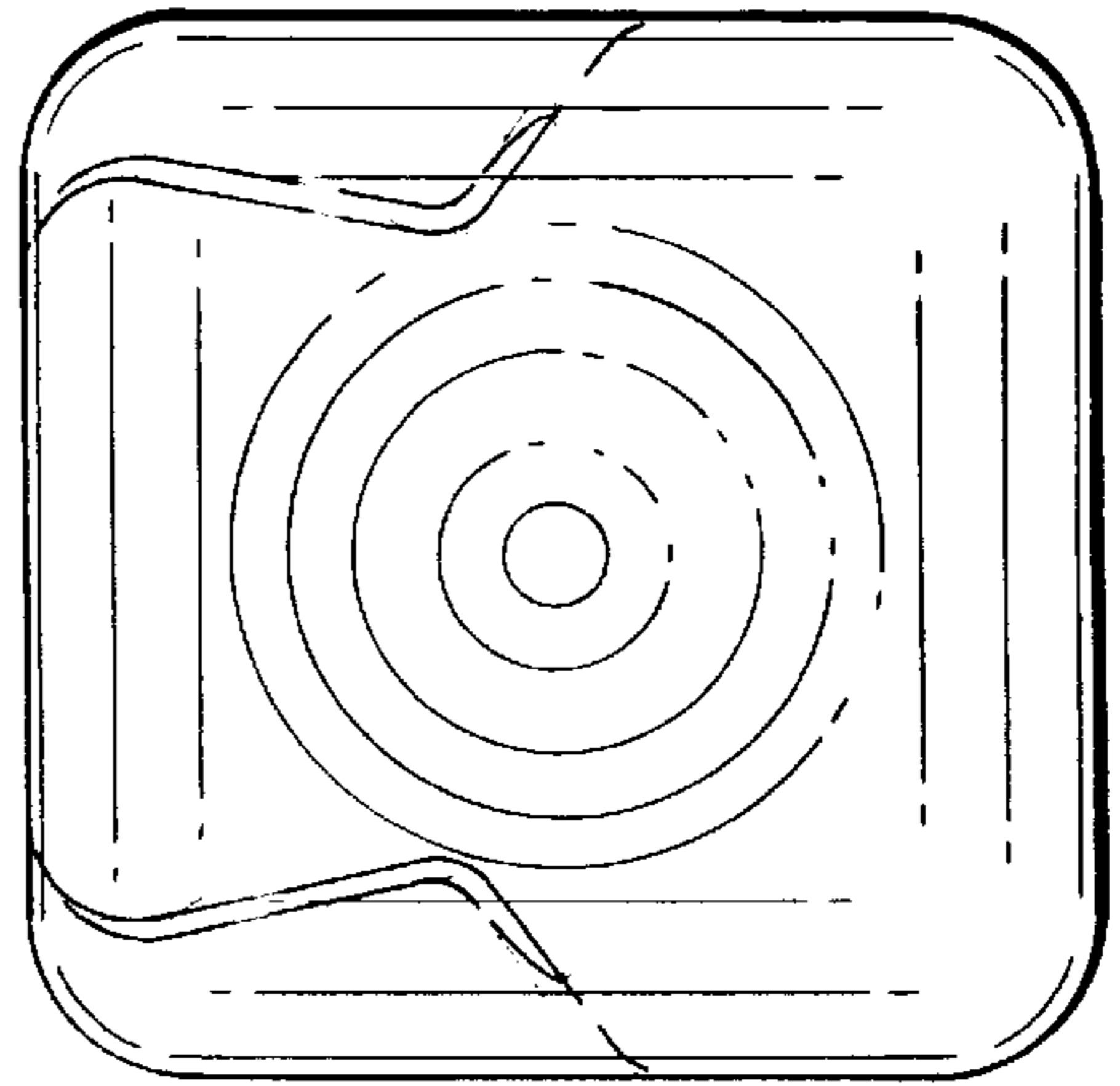


FIG. 3

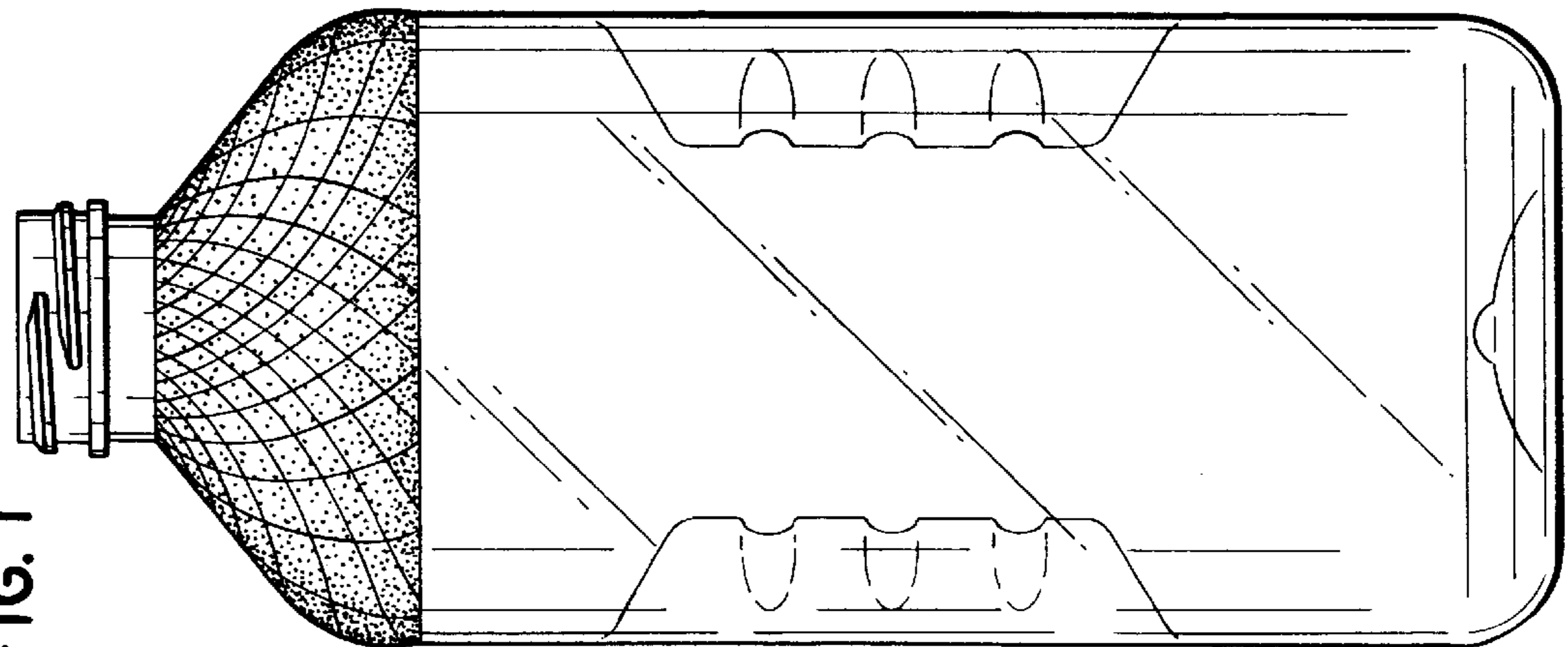


FIG. 1

FIG. 6

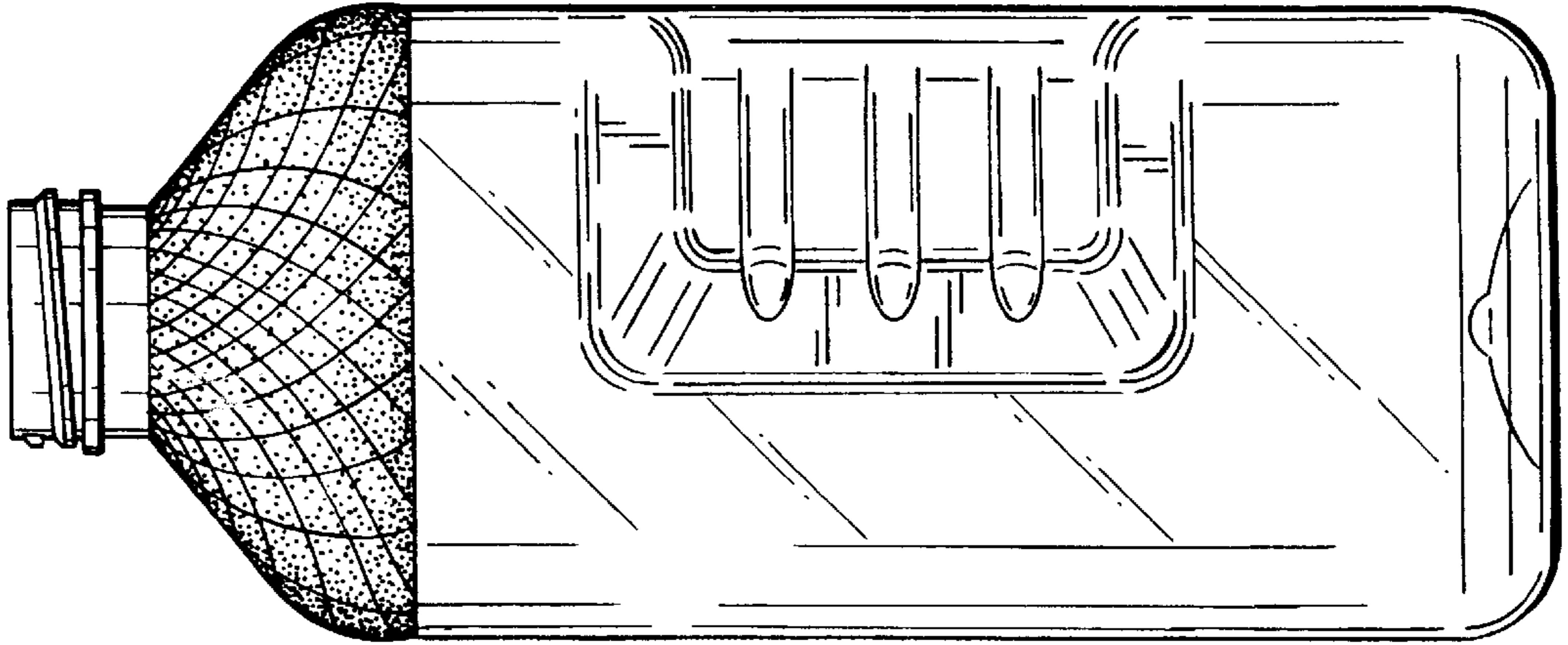


FIG. 5

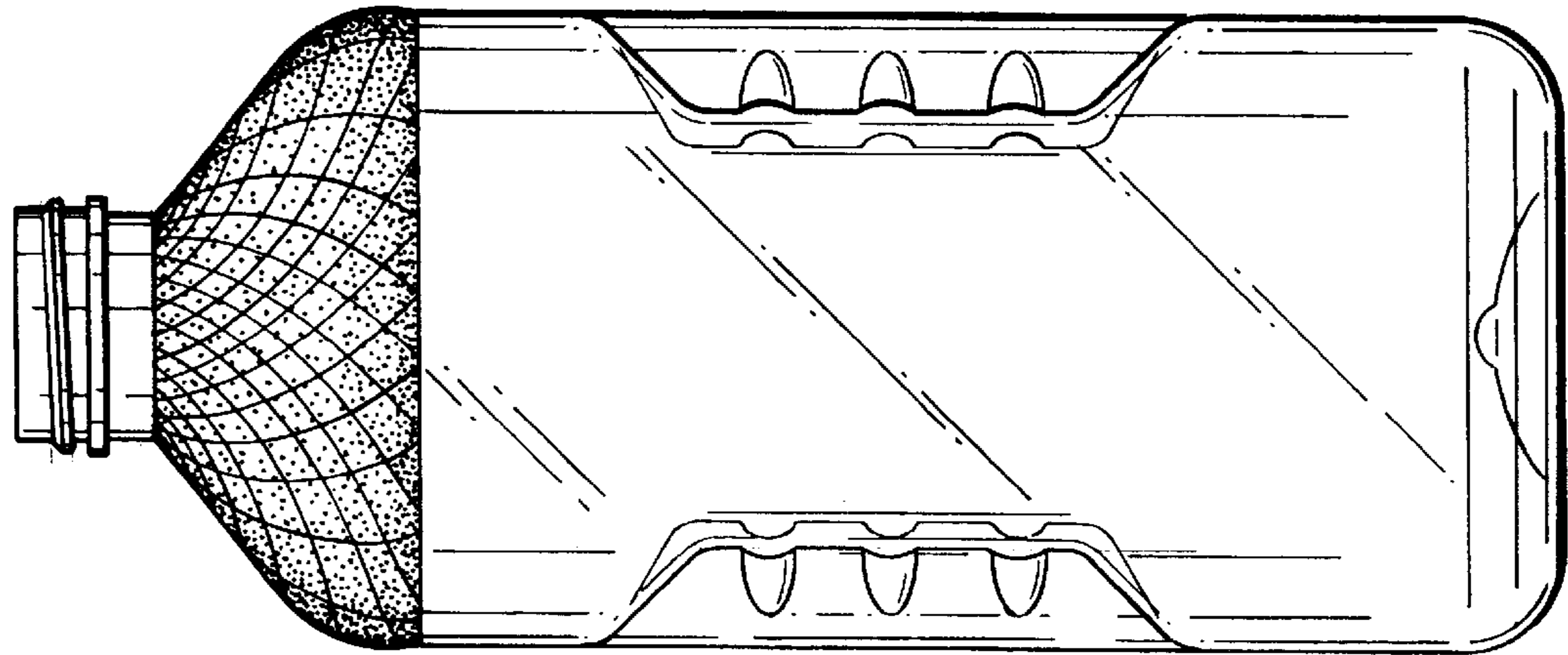


FIG. 4

