



US00D449536B1

(12) **United States Design Patent**
Kokubo et al.

(10) **Patent No.:** **US D449,536 S**

(45) **Date of Patent:** **** Oct. 23, 2001**

(54) **CONTAINER**

(75) Inventors: **Shigehiko Kokubo; Hikaru Mashimo,**
both of Osaka (JP)

(73) Assignee: **Rohto Pharmaceutical Co., Ltd.,**
Osaka (JP)

(**) Term: **14 Years**

(21) Appl. No.: **29/120,083**

(22) Filed: **Mar. 15, 2000**

(51) **LOC (7) Cl.** **09-01**

(52) **U.S. Cl.** **D9/529; D9/558**

(58) **Field of Search** **D9/504, 516, 529,**
D9/544, 549, 558, 574, 575; 215/273, 283,
285, 329; 220/212

(56) **References Cited**

U.S. PATENT DOCUMENTS

D. 284,352	*	6/1986	Thompson	D9/520
D. 317,407	*	6/1991	Gray et al.	D9/529
D. 336,614	*	6/1993	Crawford	D9/529
D. 339,746	*	9/1993	Bunce et al.	D9/522
D. 342,676	*	12/1993	Wuttke	D9/529
D. 343,792	*	2/1994	Bunce et al.	D9/529
D. 350,836	*	9/1994	Chevassus	D28/76
D. 356,828	*	3/1995	Harris	D19/66
D. 395,398	*	6/1998	Kotyuk	D9/558
D. 423,360	*	4/2000	Hirato et al.	D9/504
D. 436,317	*	1/2001	Jones et al.	D9/558
2,981,431	*	4/1961	Schluttig	215/329
5,186,346	*	2/1993	Gray et al.	220/212.5

FOREIGN PATENT DOCUMENTS

903273 7/1994 (JP).

* cited by examiner

Primary Examiner—Ted Shooman

Assistant Examiner—Selina Sikder

(74) *Attorney, Agent, or Firm*—Burns, Doane, Swecker & Mathis, LLP

(57) **CLAIM**

The ornamental design for a container, as shown and described.

DESCRIPTION

FIG. 1 is a top plan view of the first embodiment of a container showing our new design;
 FIG. 2 is a bottom plan view thereof;
 FIG. 3 is a front elevational view thereof;
 FIG. 4 is a right side elevational view thereof; the opposite side elevational view being a mirror image;
 FIG. 5 is a rear elevational view thereof;
 FIG. 6 is a sectional view along the line 6—6 in FIG. 1;
 FIG. 7 is a sectional view along the line 7—7 in FIG. 1;
 FIG. 8 is a top plan view thereof wherein the lid is opened;
 FIG. 9 is a front elevational view thereof wherein the lid is opened;
 FIG. 10 is a right side elevational view thereof wherein the lid is opened;
 FIG. 11 is a perspective view thereof;
 FIG. 12 is a perspective view thereof wherein the lid is opened;
 FIG. 13 is a top plan view of the second embodiment of a container showing our new design;
 FIG. 14 is a bottom plan view thereof;
 FIG. 15 is a front elevational view thereof;
 FIG. 16 is a right side elevational view thereof; the opposite side elevational view being a mirror image;
 FIG. 17 is a rear elevational view thereof;
 FIG. 18 is a sectional view along the line 18—18 in FIG. 13;
 FIG. 19 is a sectional view along the line 19—19 in FIG. 13;
 FIG. 20 is a top plan view thereof wherein the lid is opened;
 FIG. 21 is a front elevational view thereof wherein the lid is opened;
 FIG. 22 is a right side elevational view thereof wherein the lid is opened;
 FIG. 23 is a perspective view thereof; and,
 FIG. 24 is a perspective view thereof wherein the lid is opened.

1 Claim, 8 Drawing Sheets

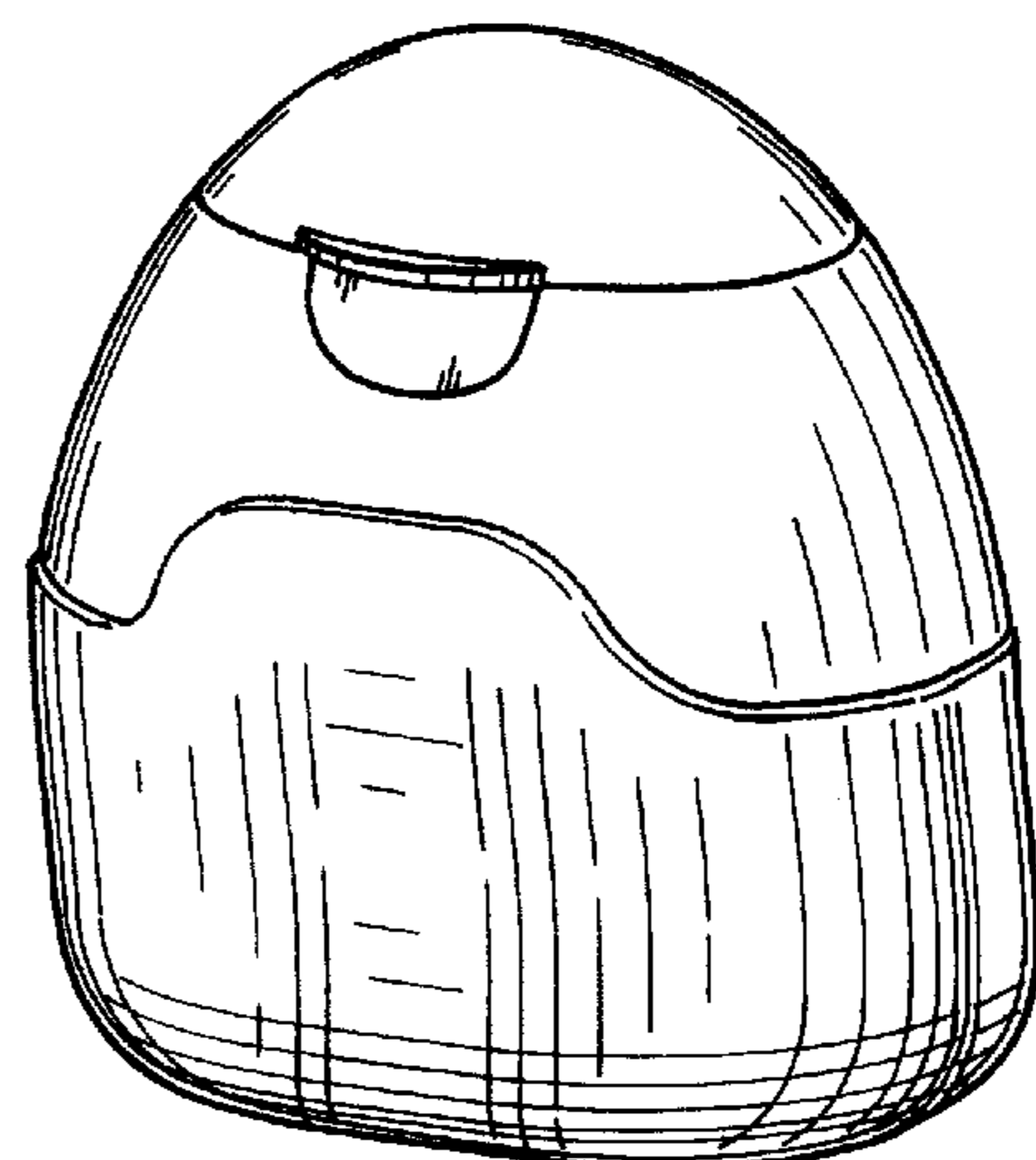
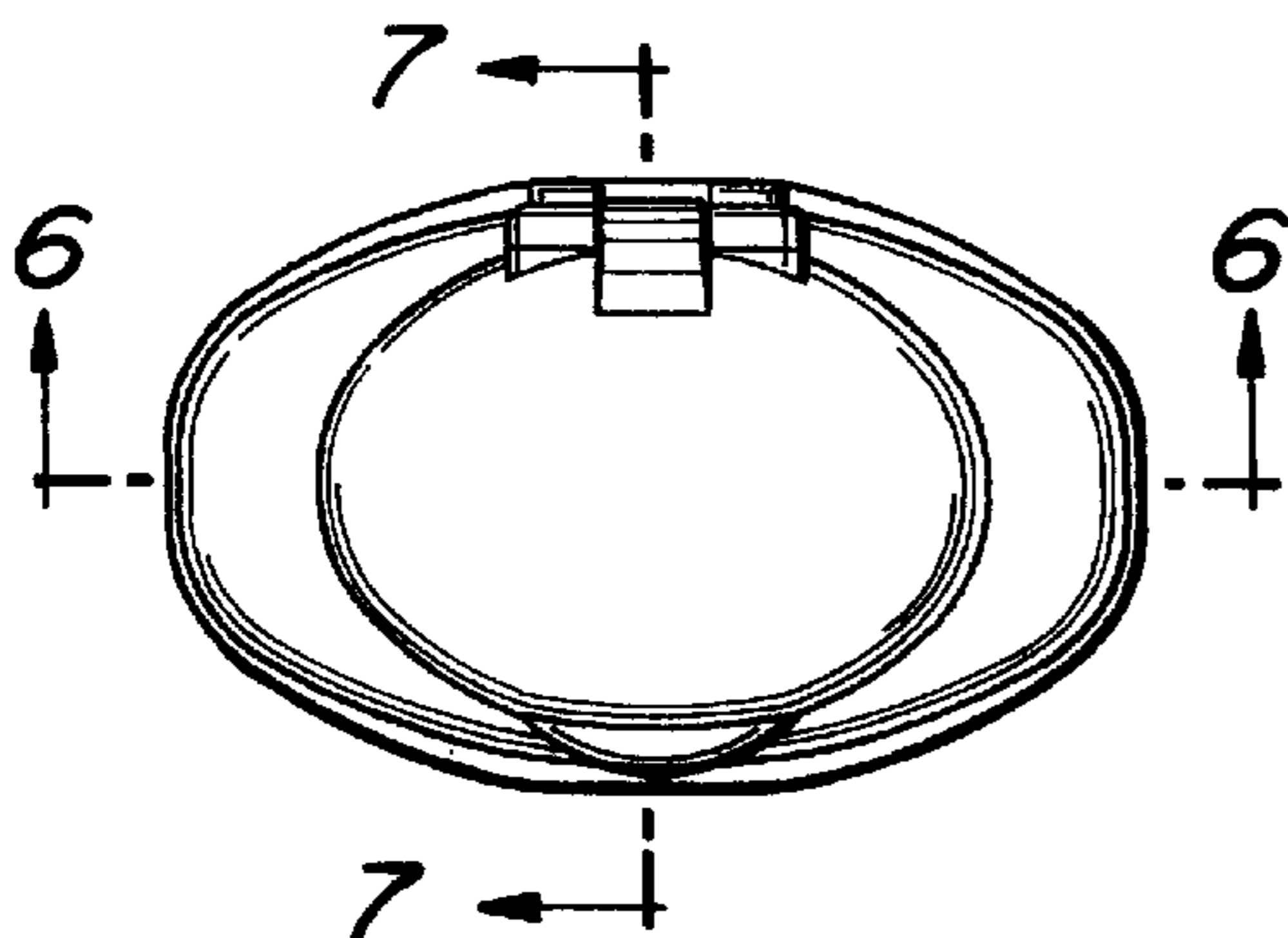


Fig. 1

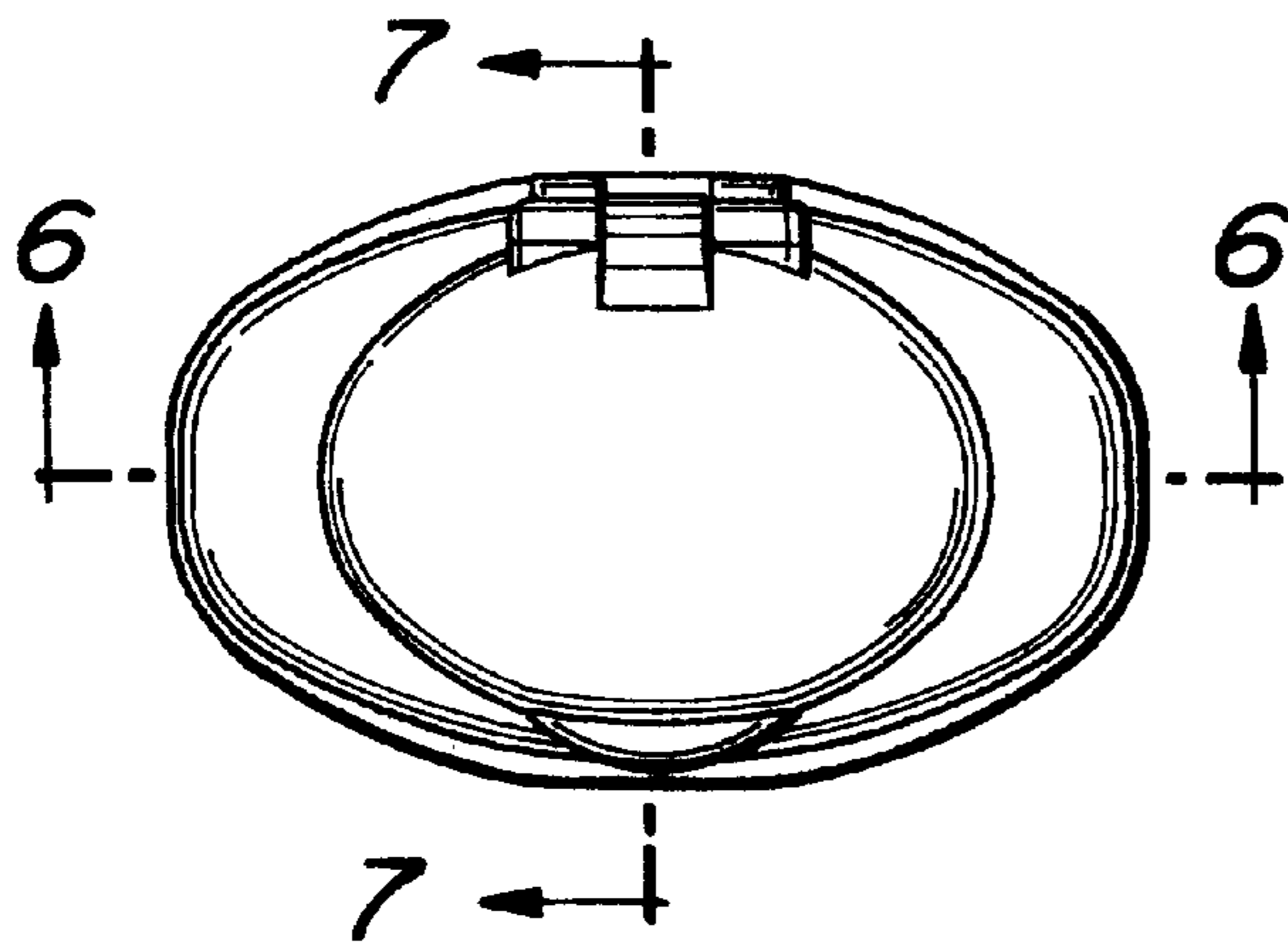


Fig. 2

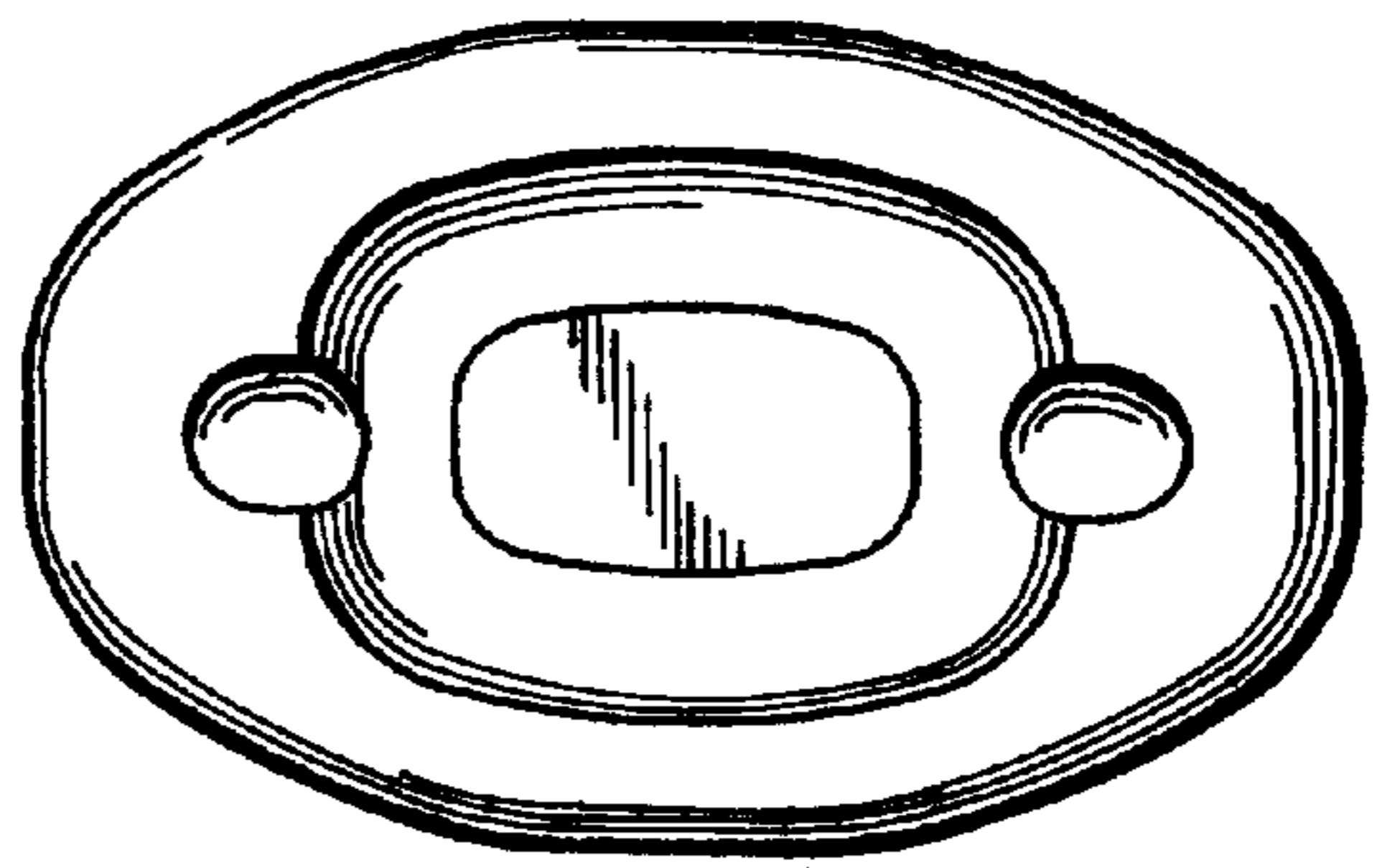


Fig. 3

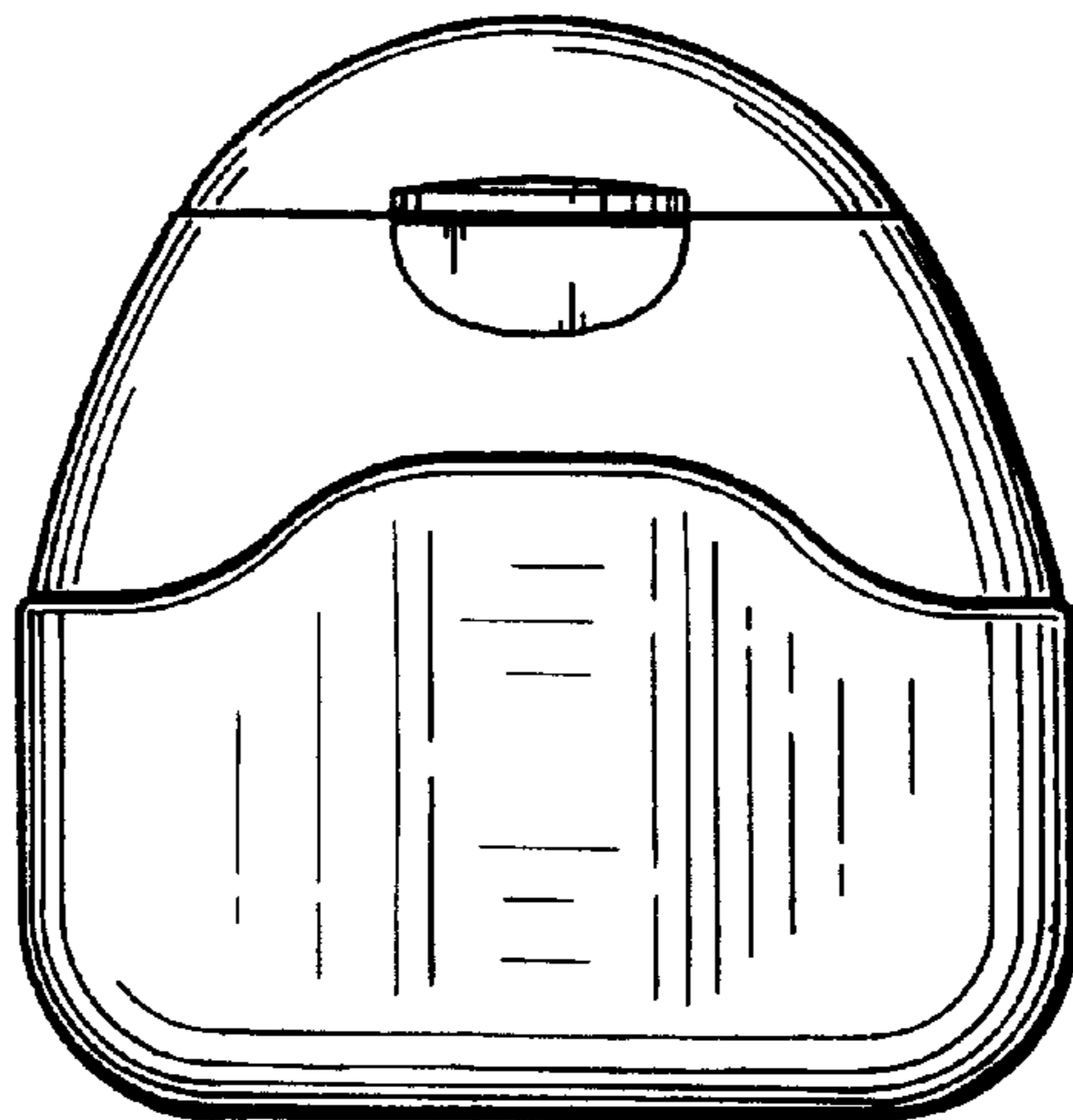


Fig. 4

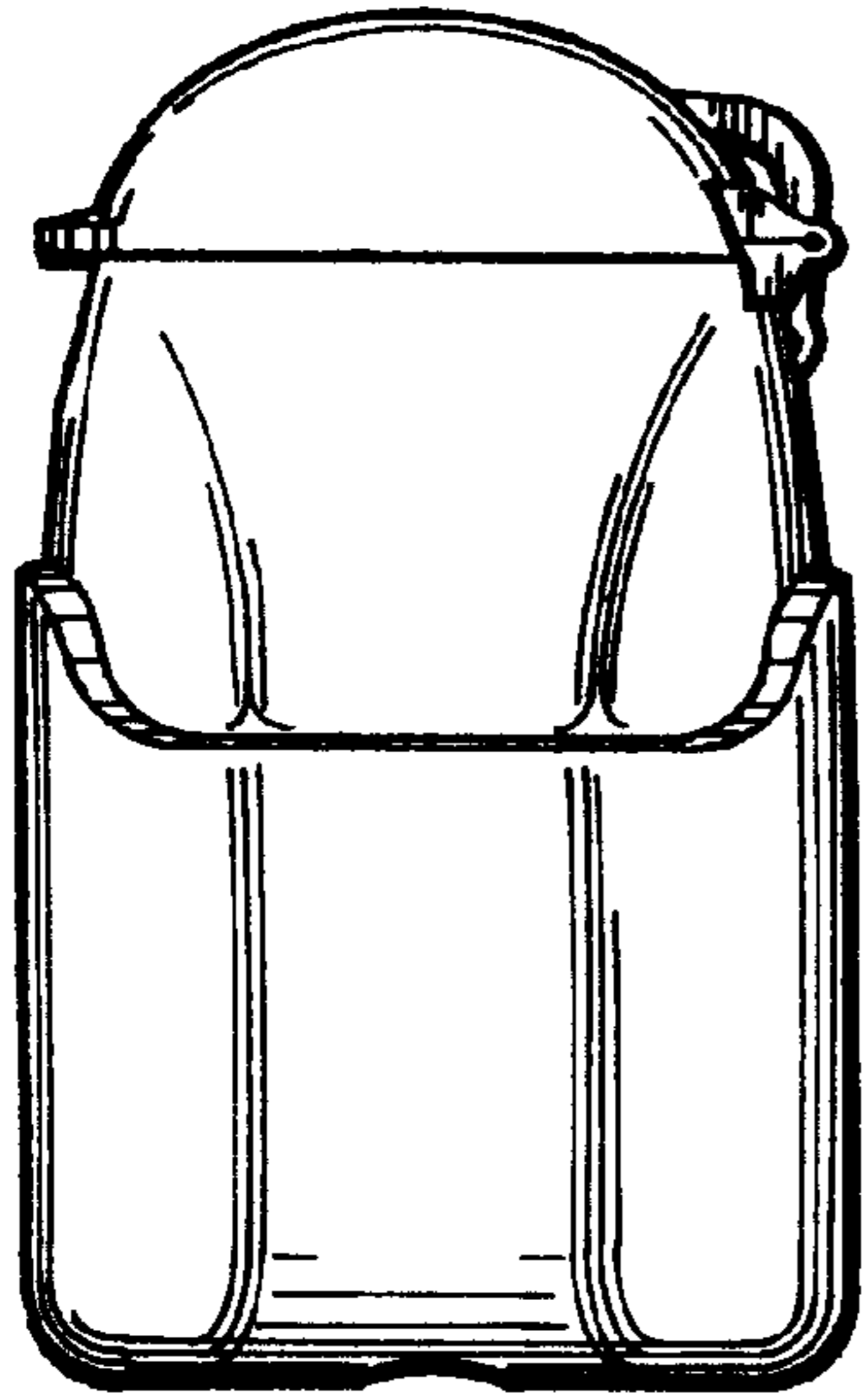


Fig. 5

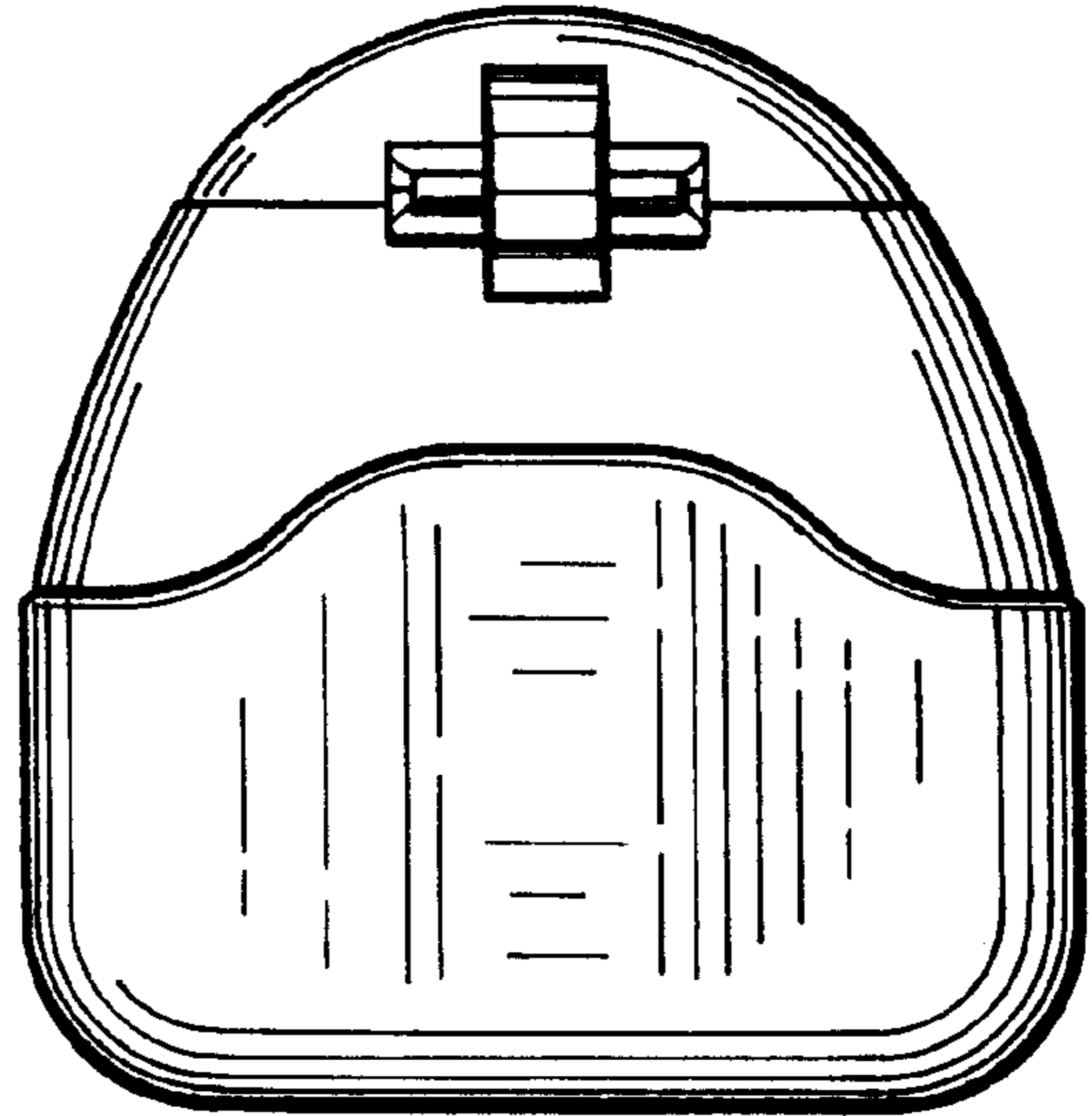


Fig. 6

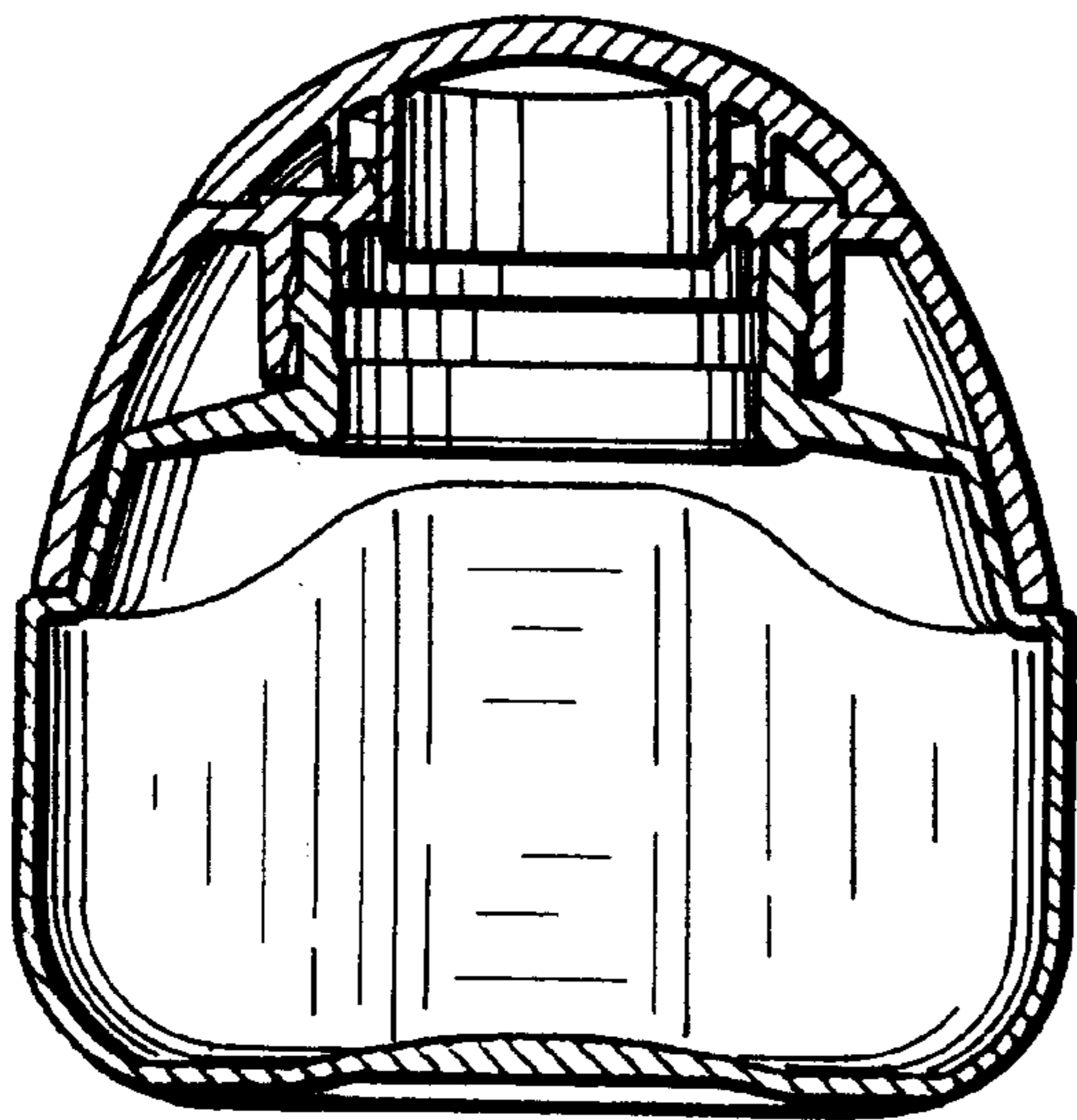


Fig. 7

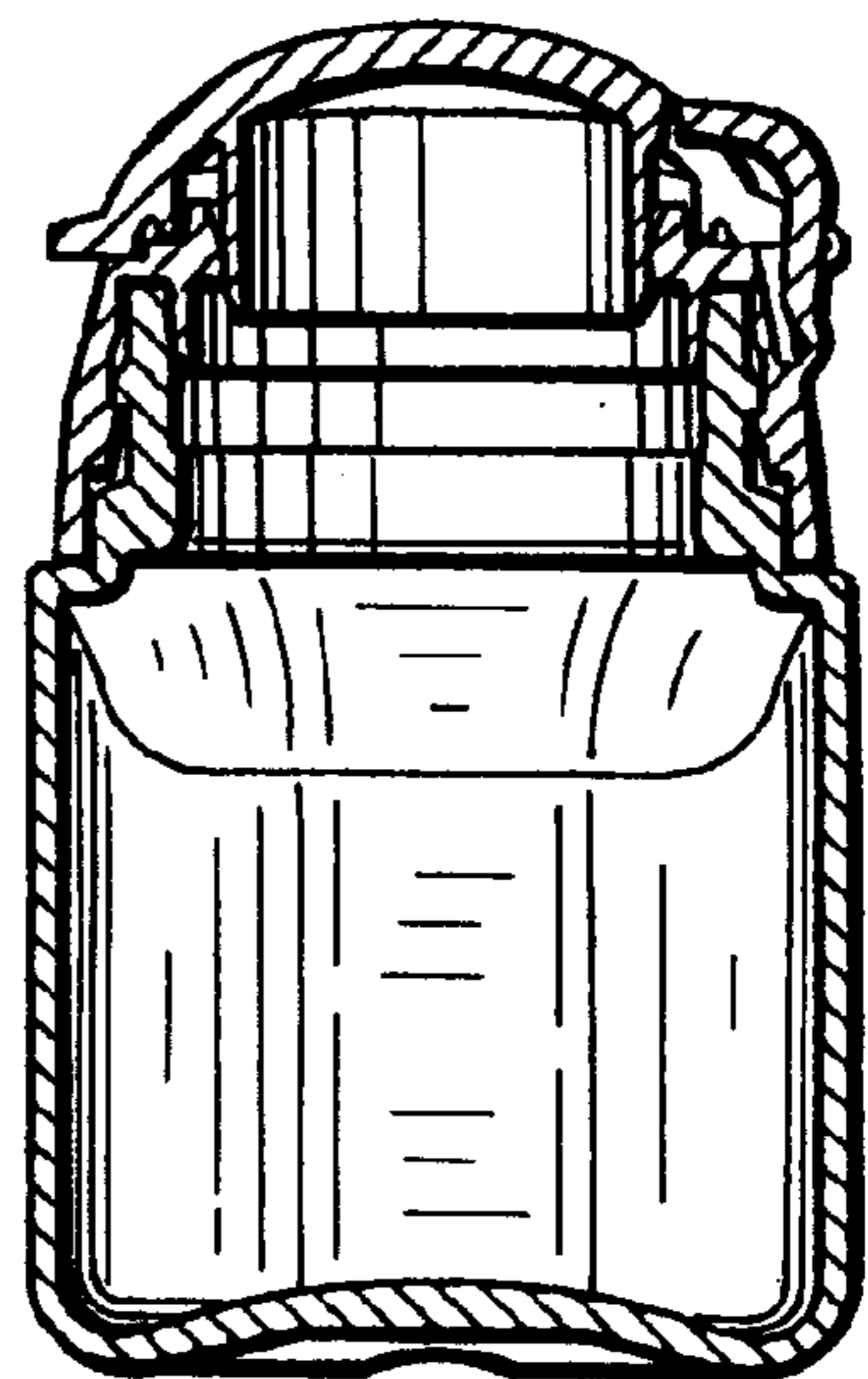


Fig. 8

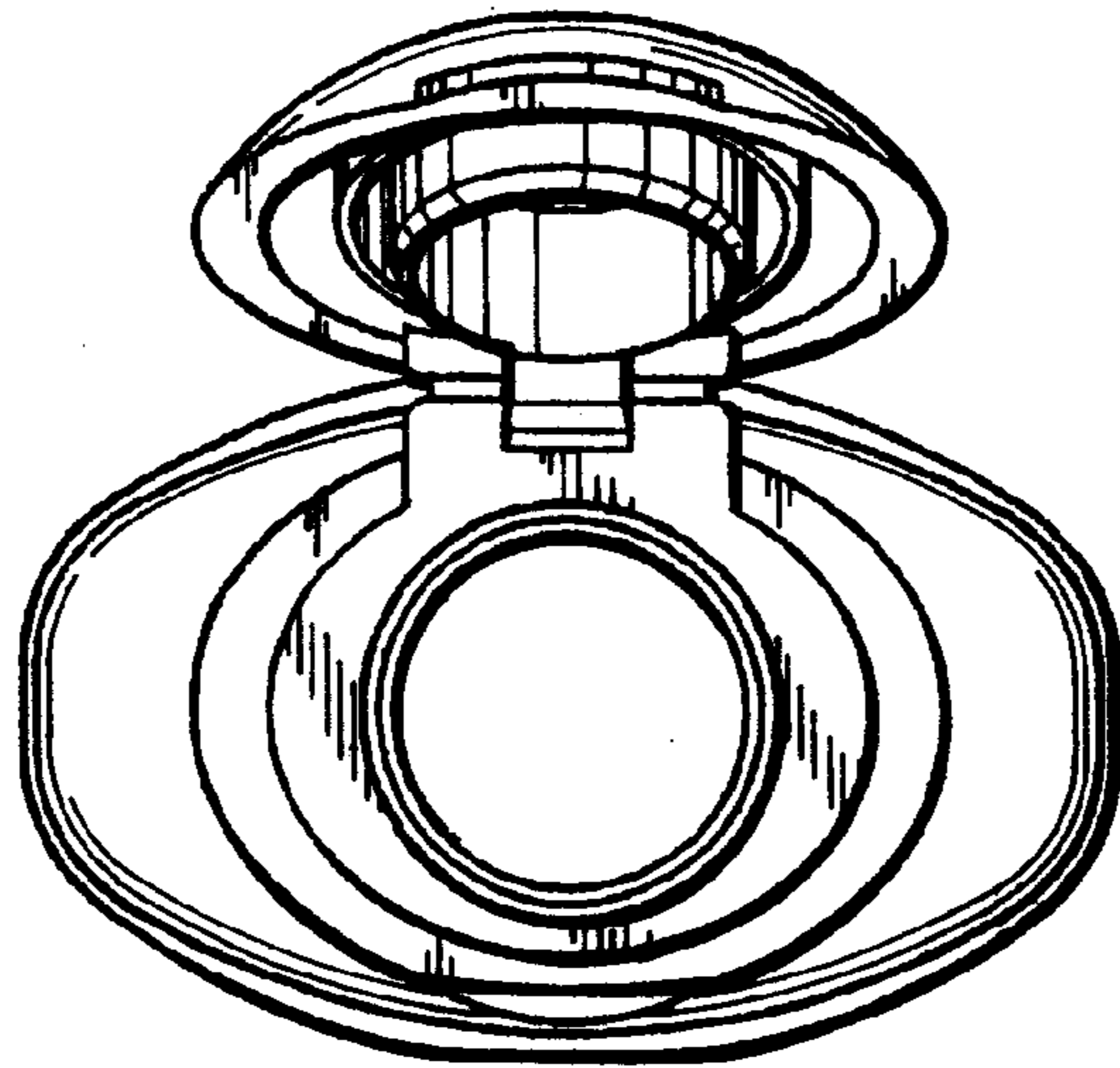


Fig. 9

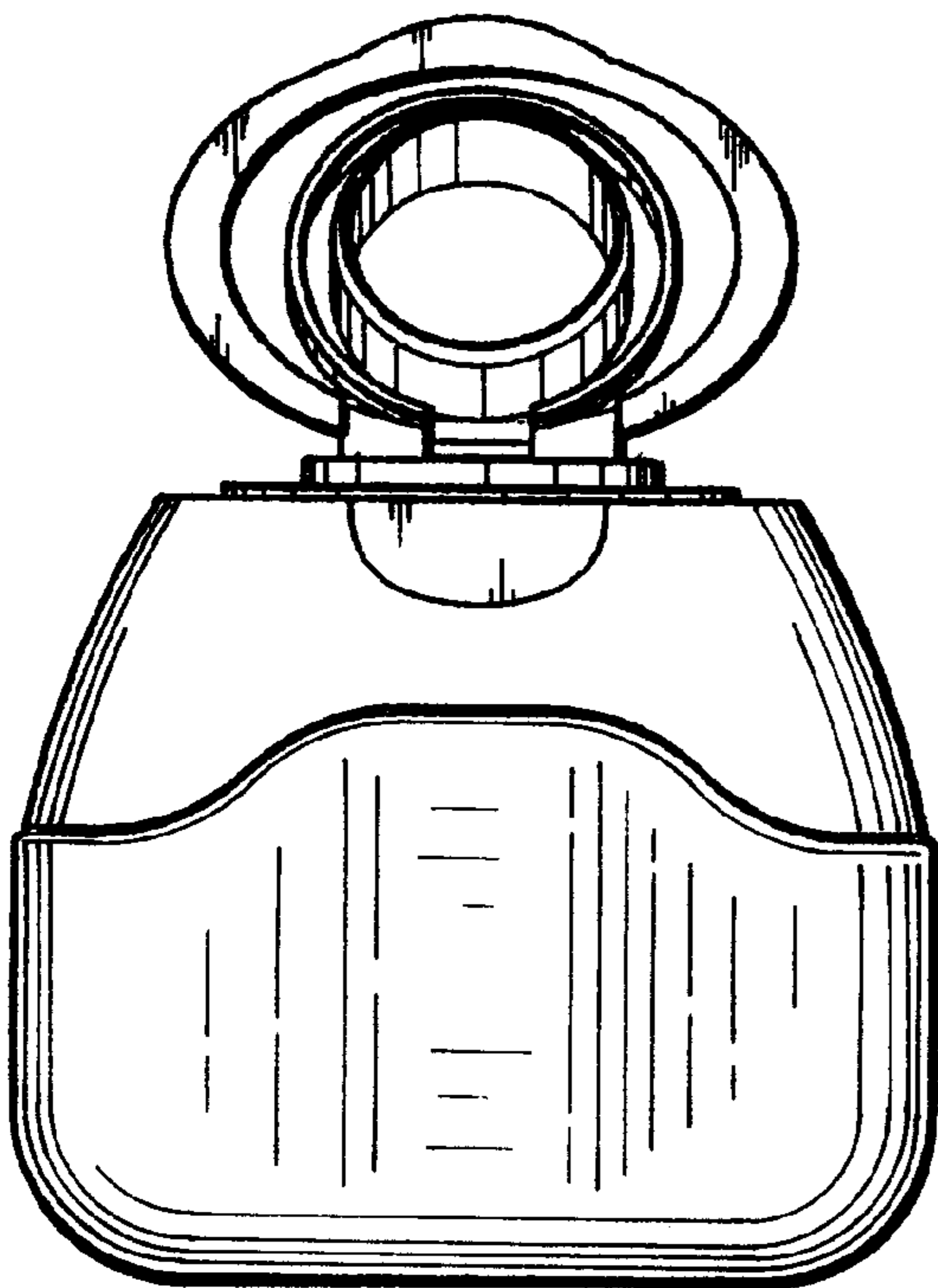


Fig. 10

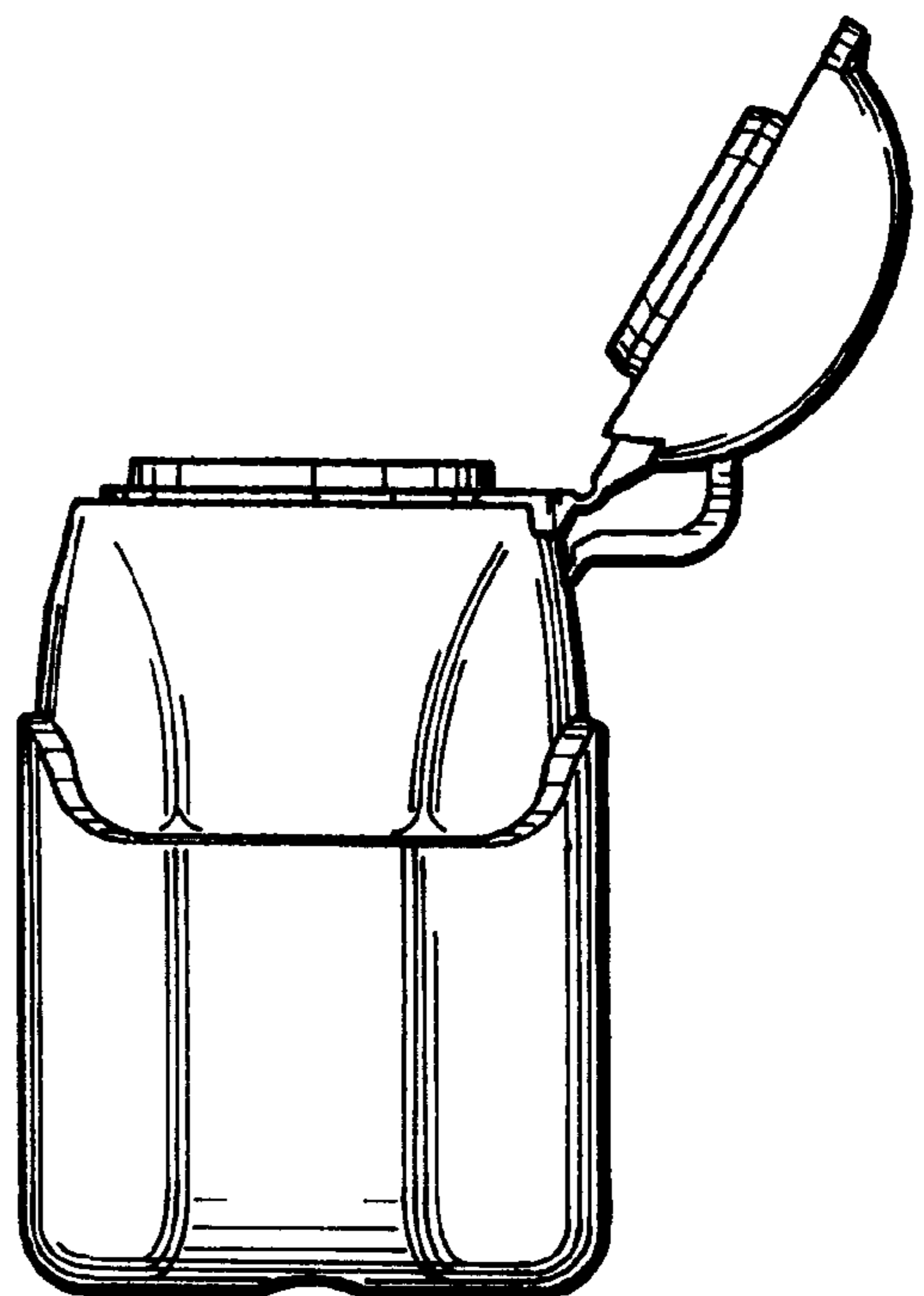


Fig. 11

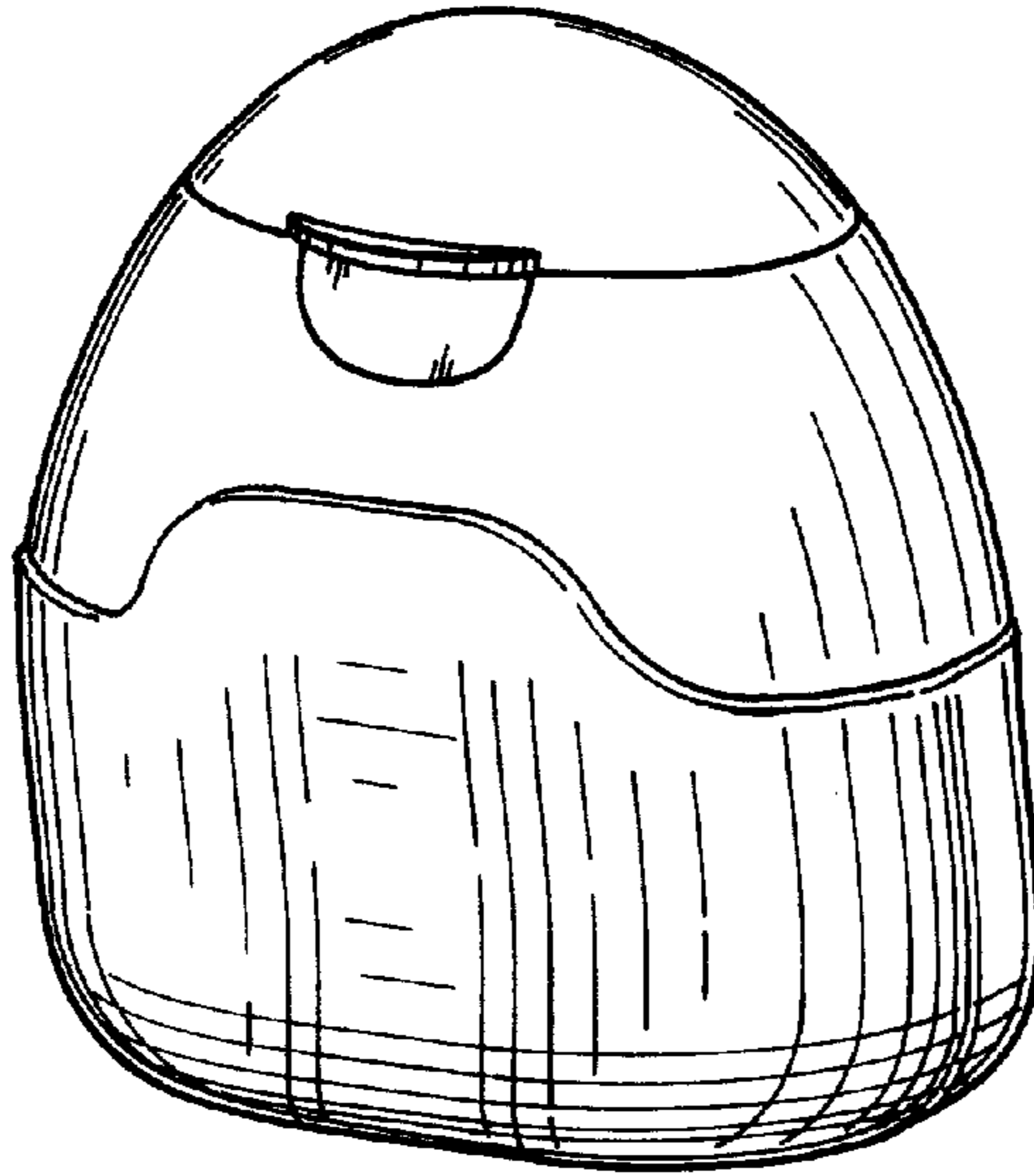


Fig. 12

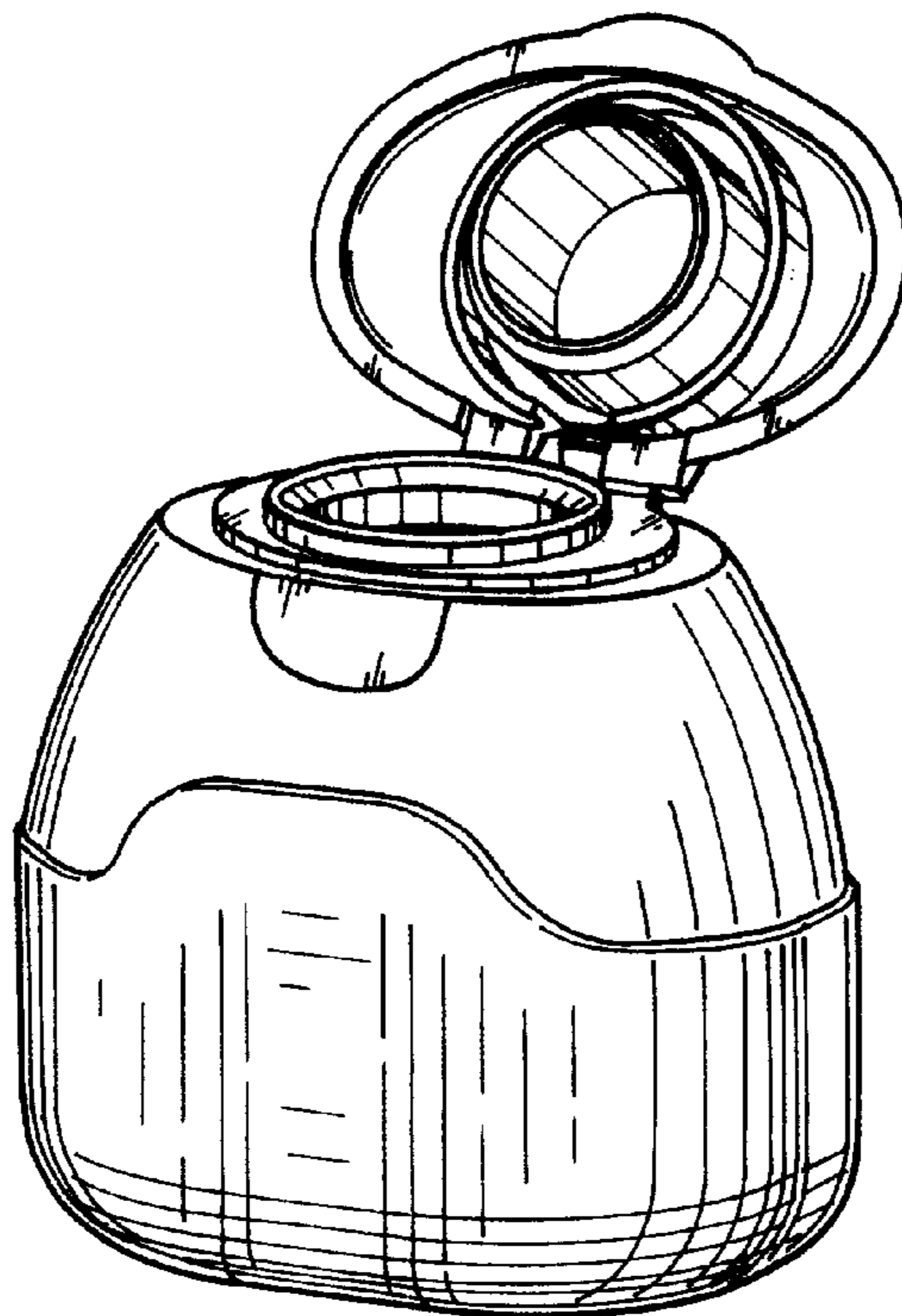


Fig. 13

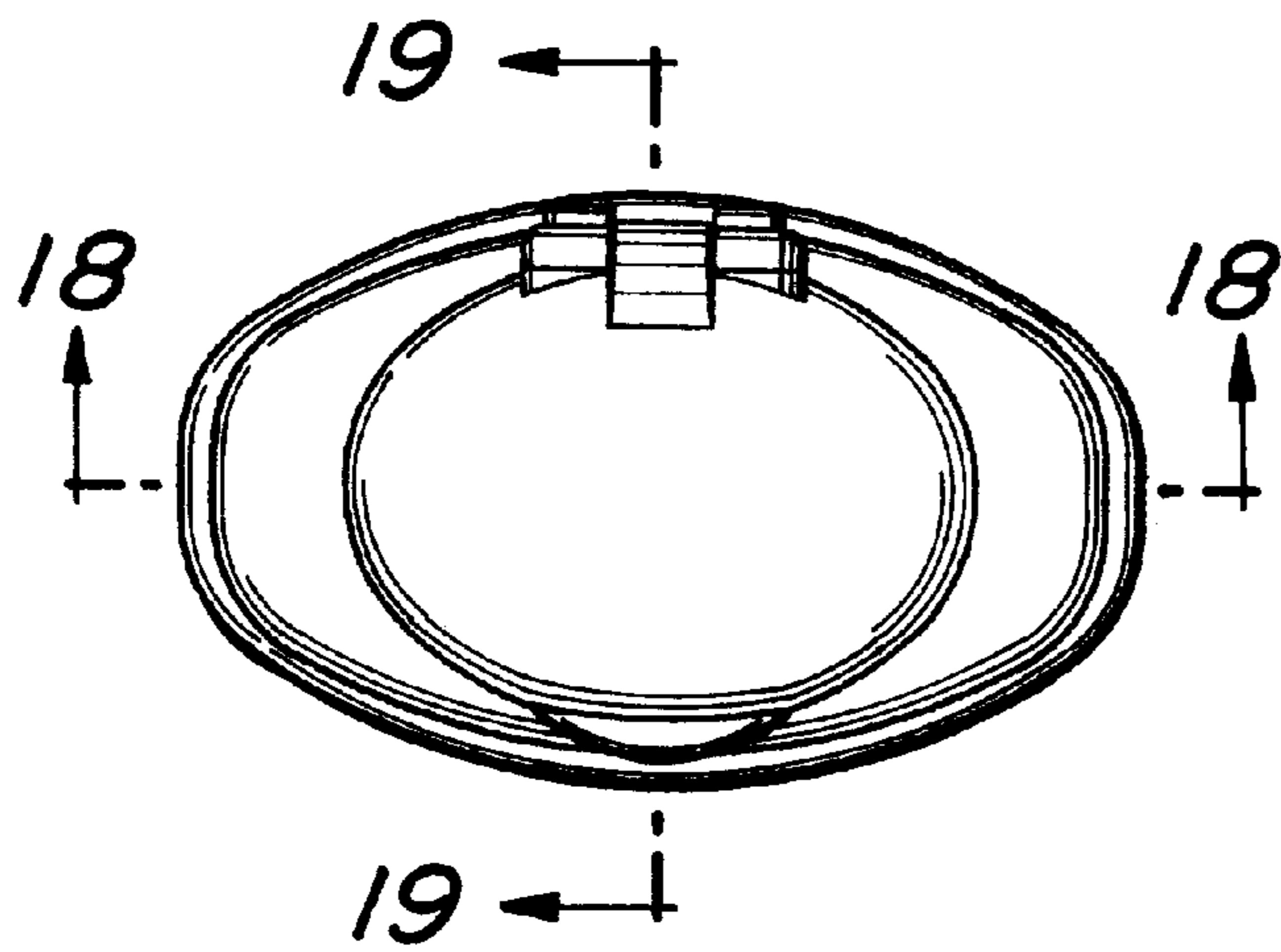


Fig. 14

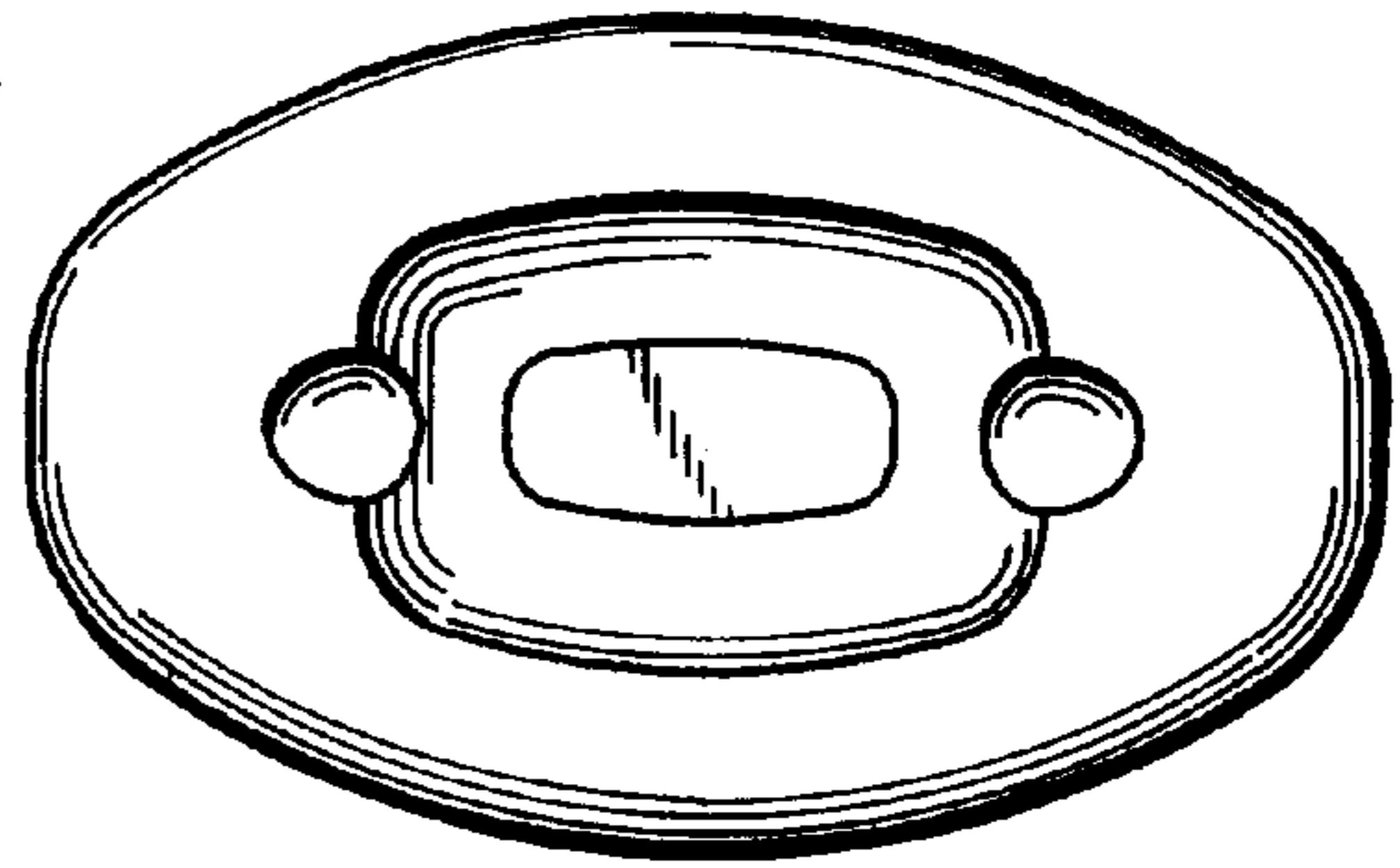


Fig. 15

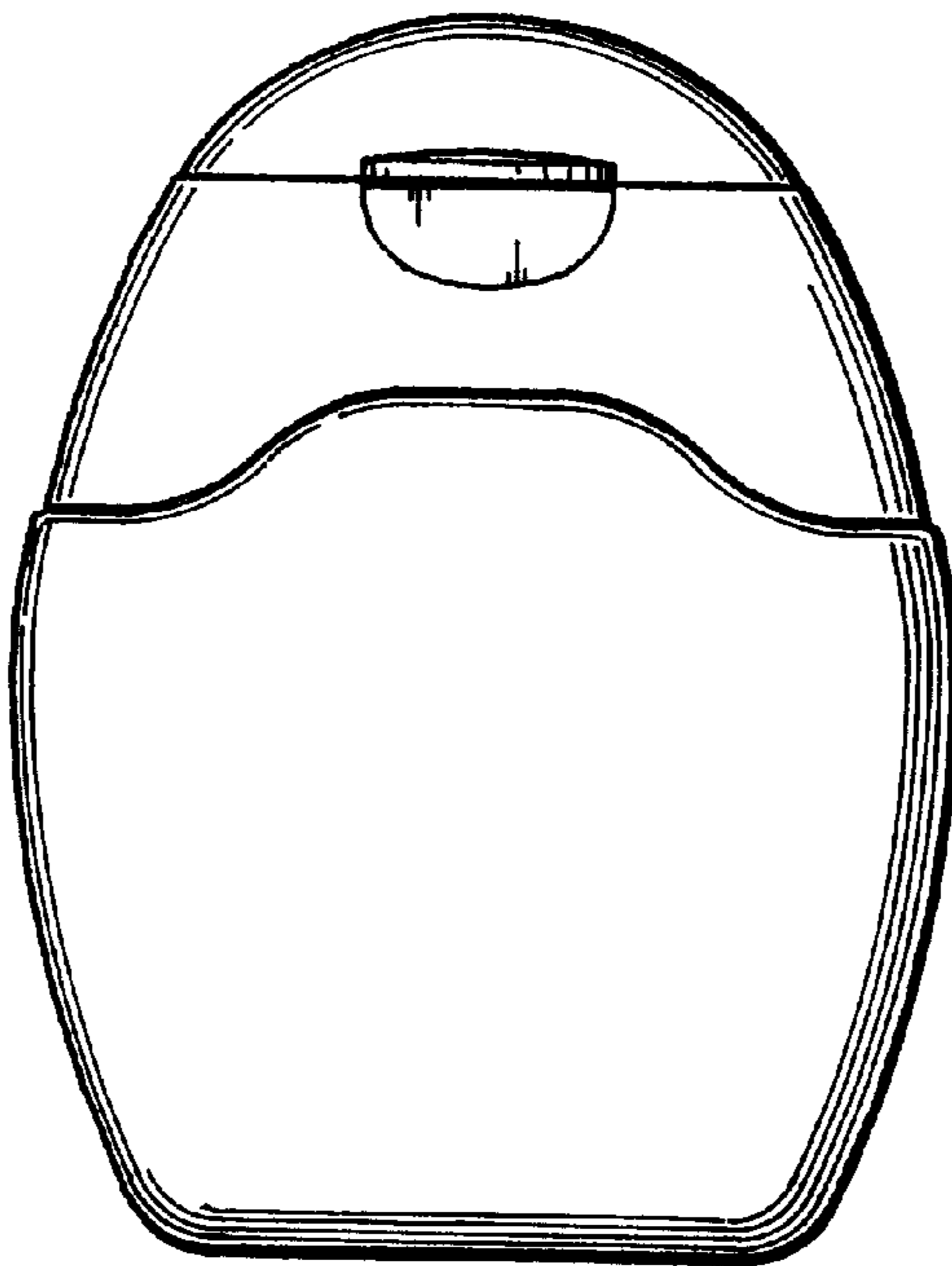


Fig. 16

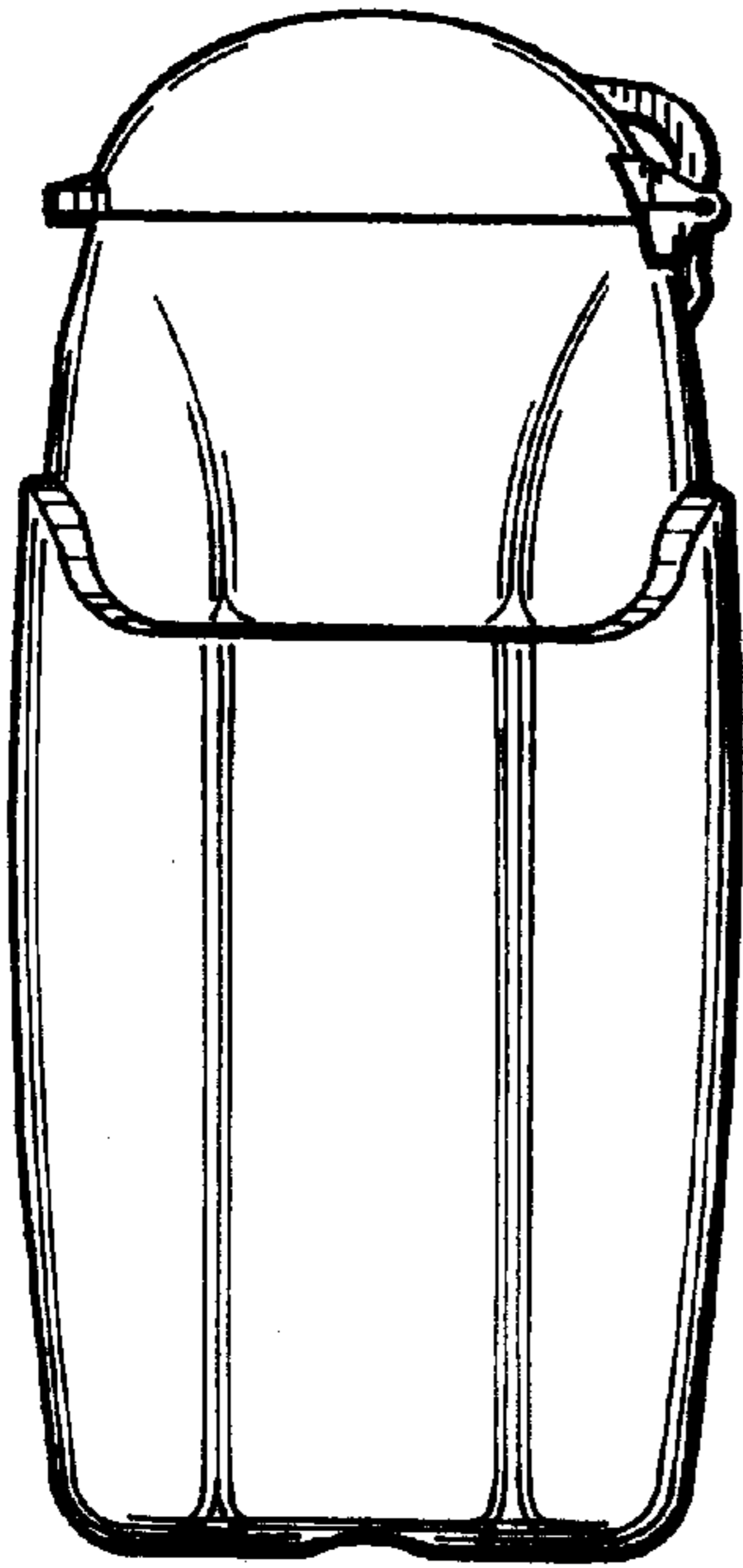


Fig. 17

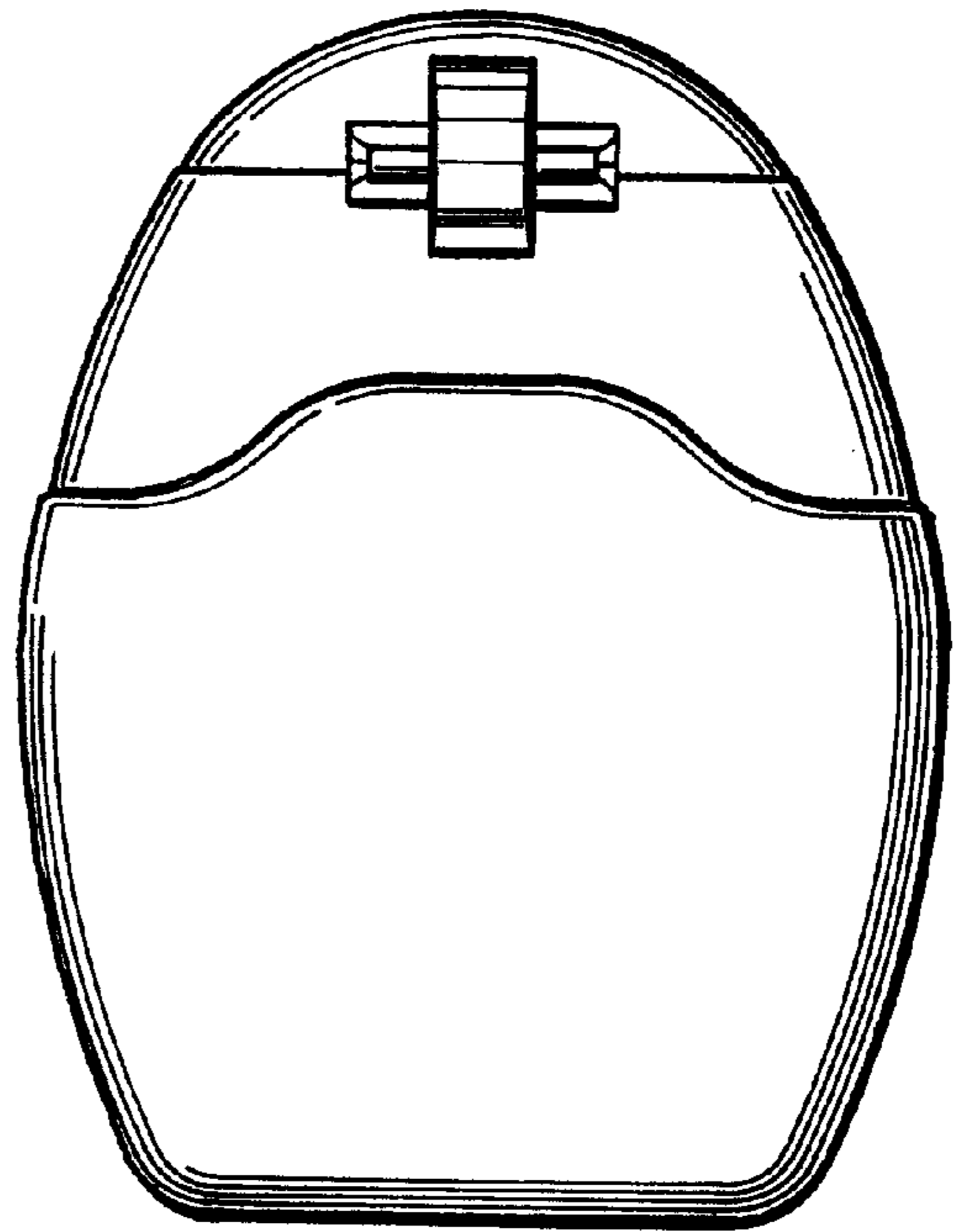


Fig. 18

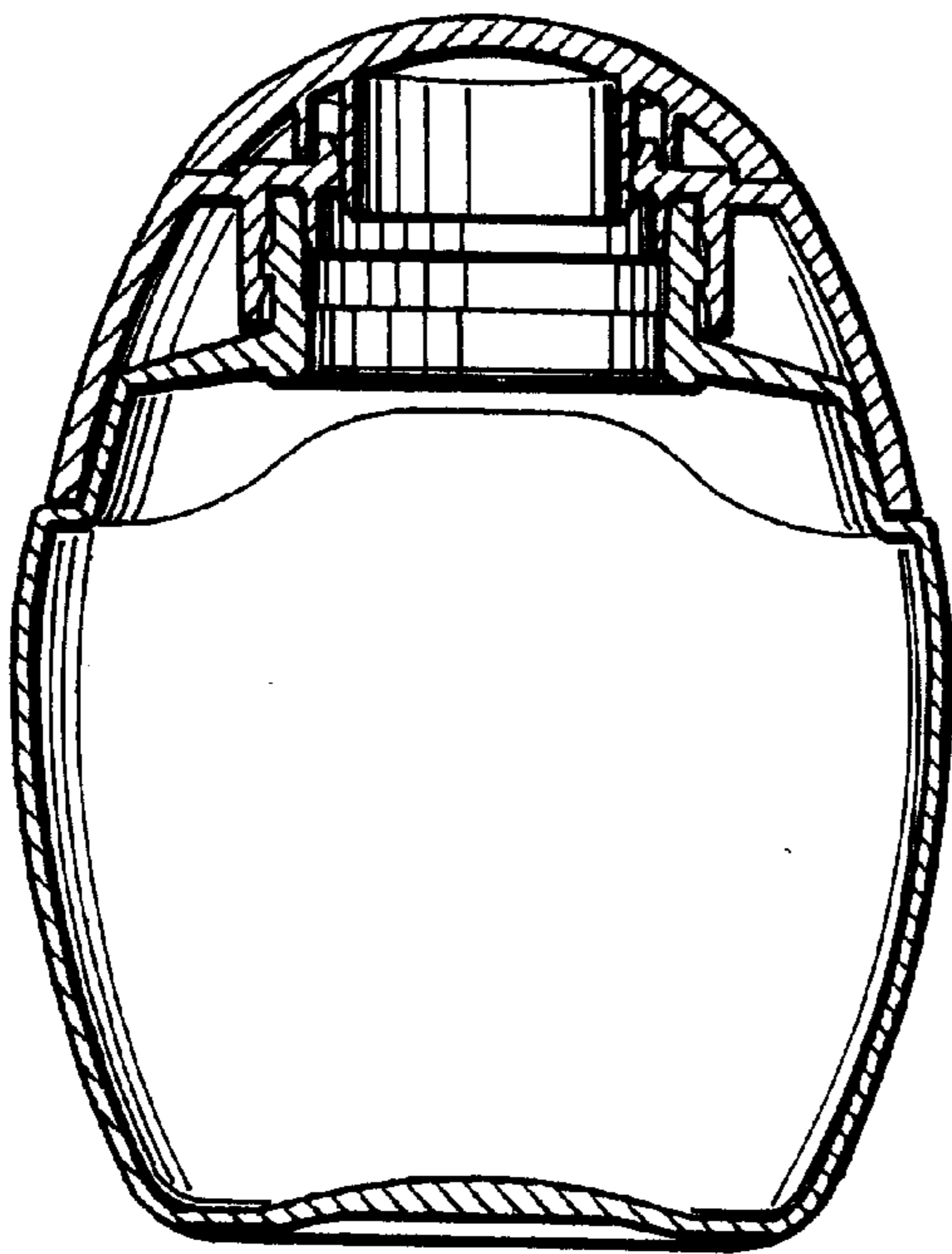


Fig. 19

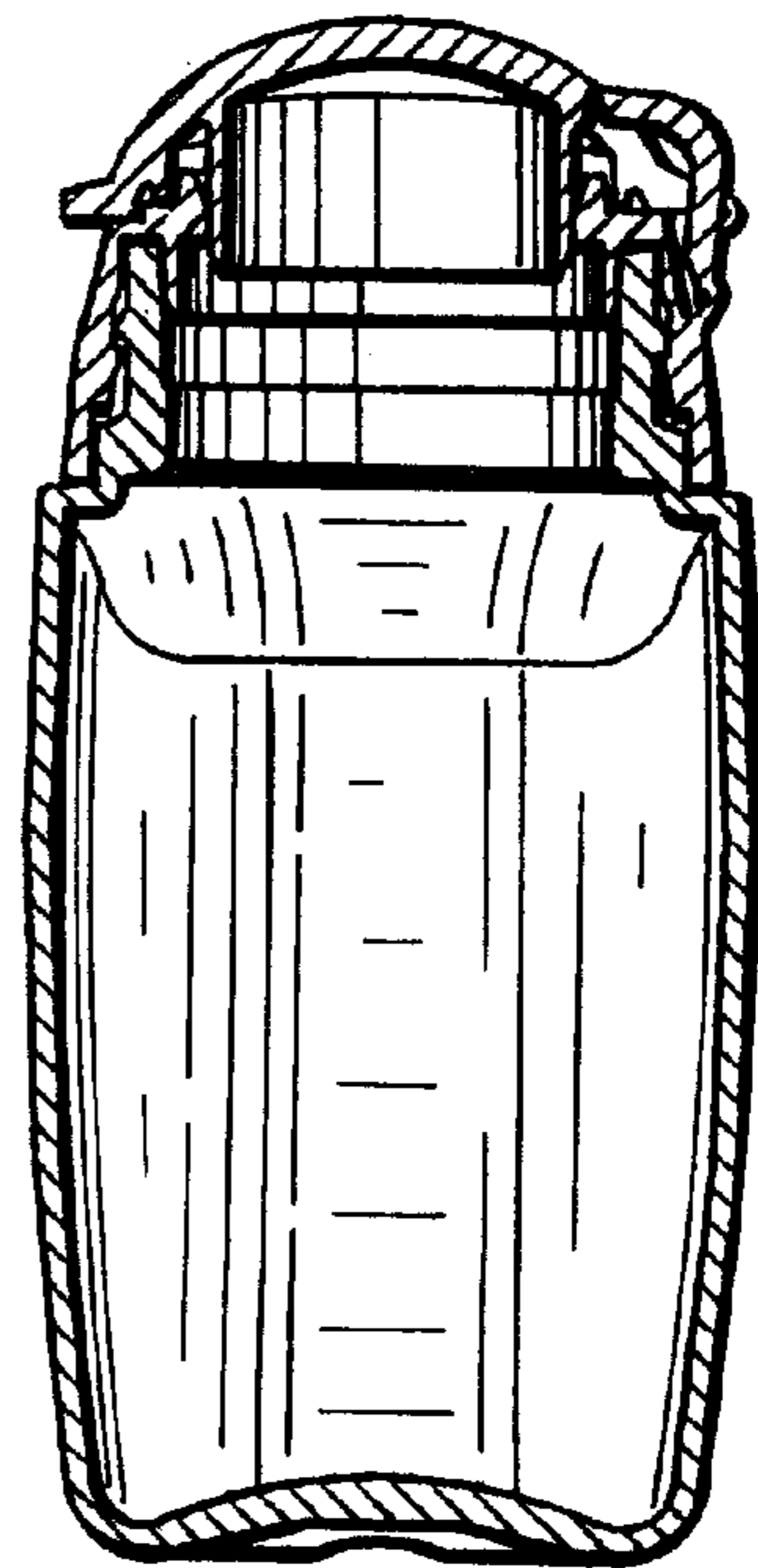


Fig. 20

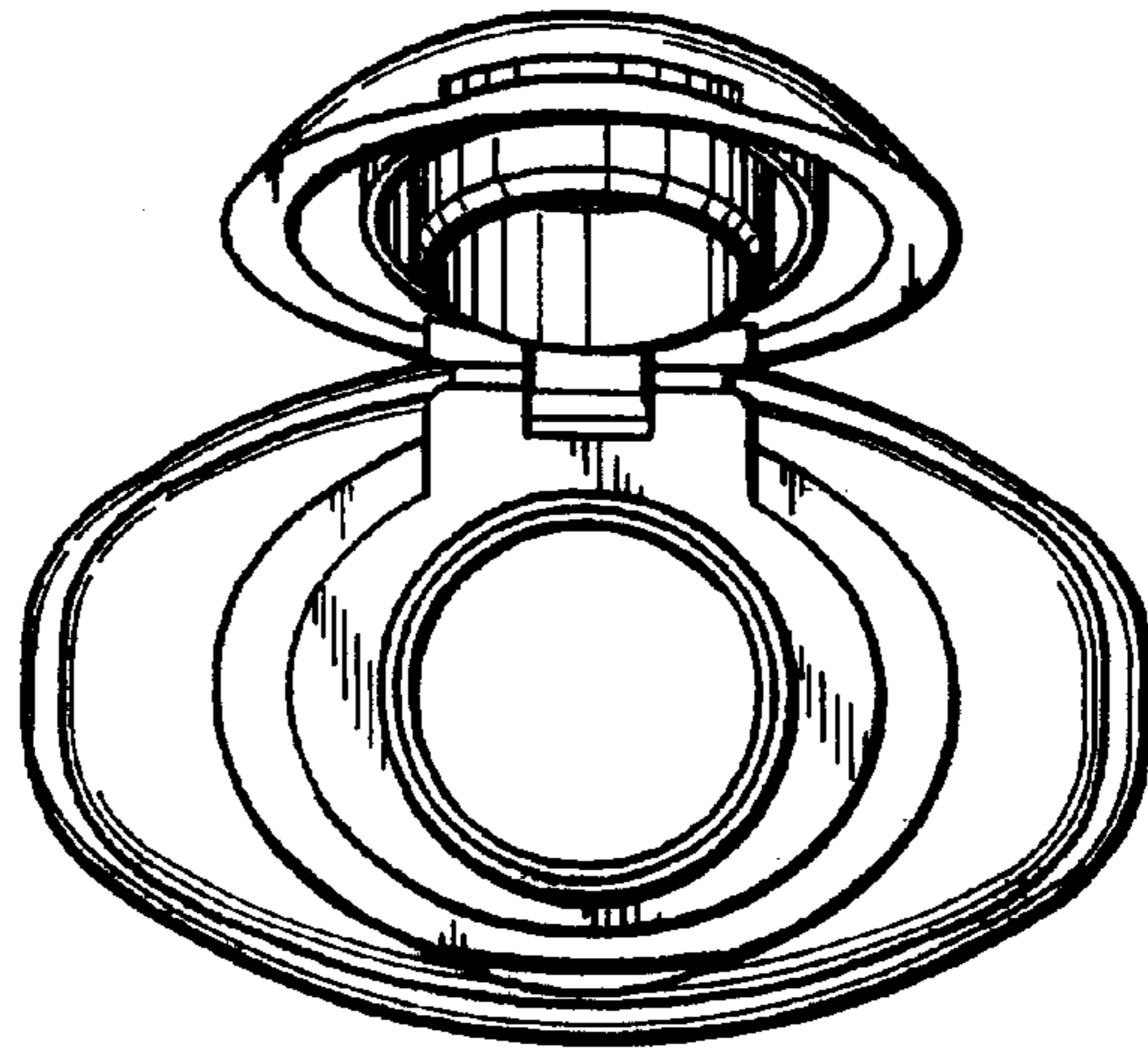


Fig. 21

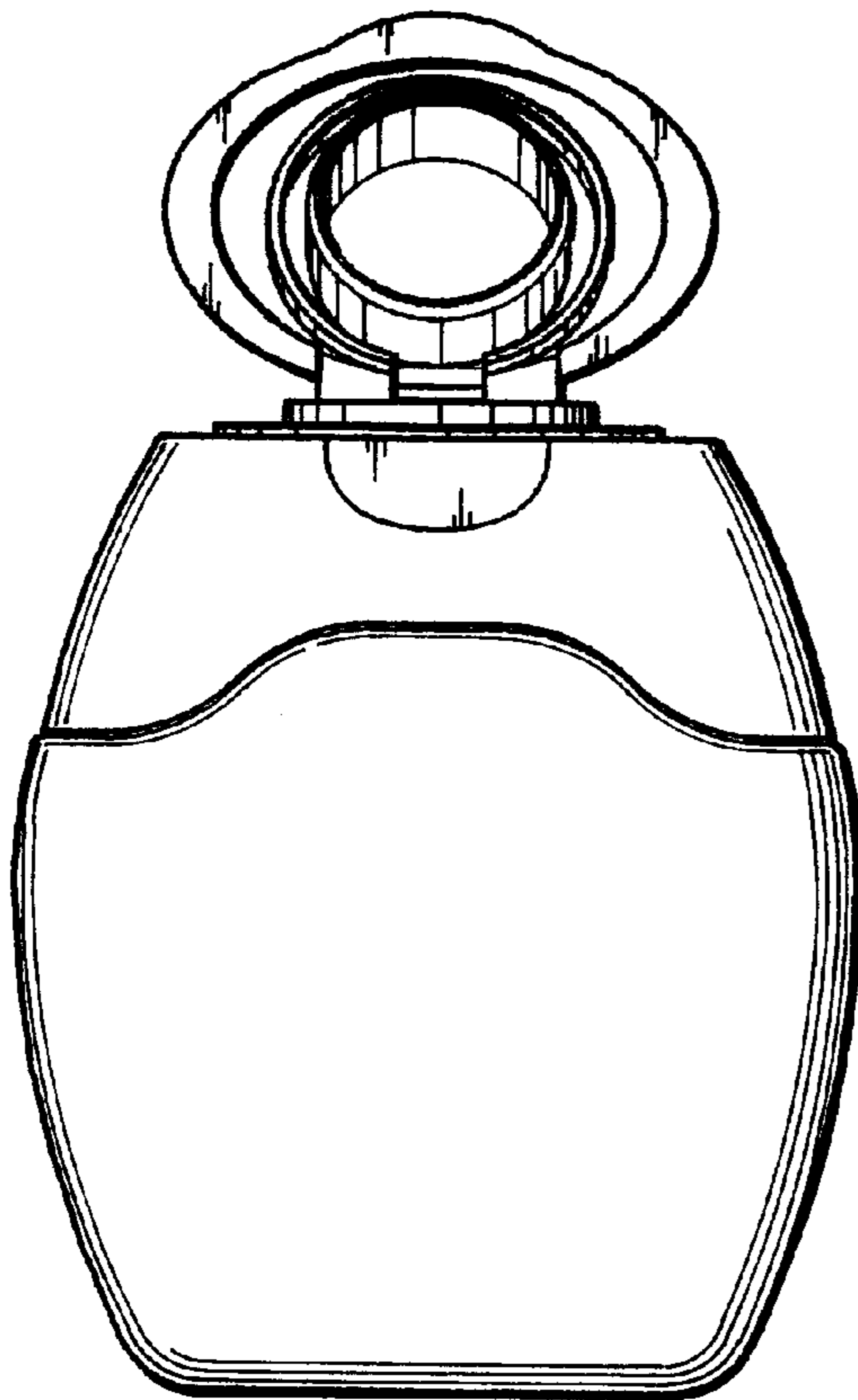


Fig. 22

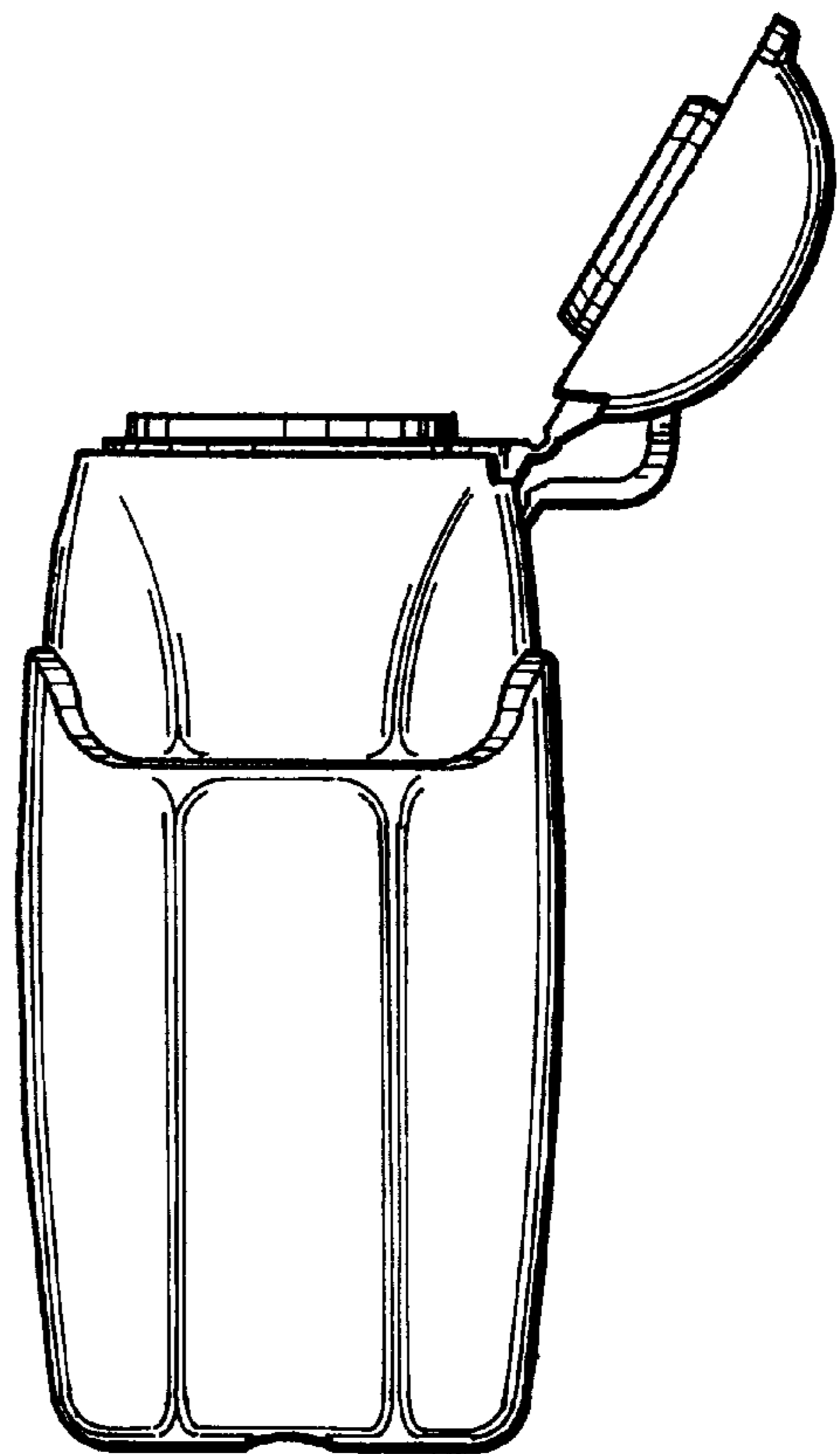


Fig. 23

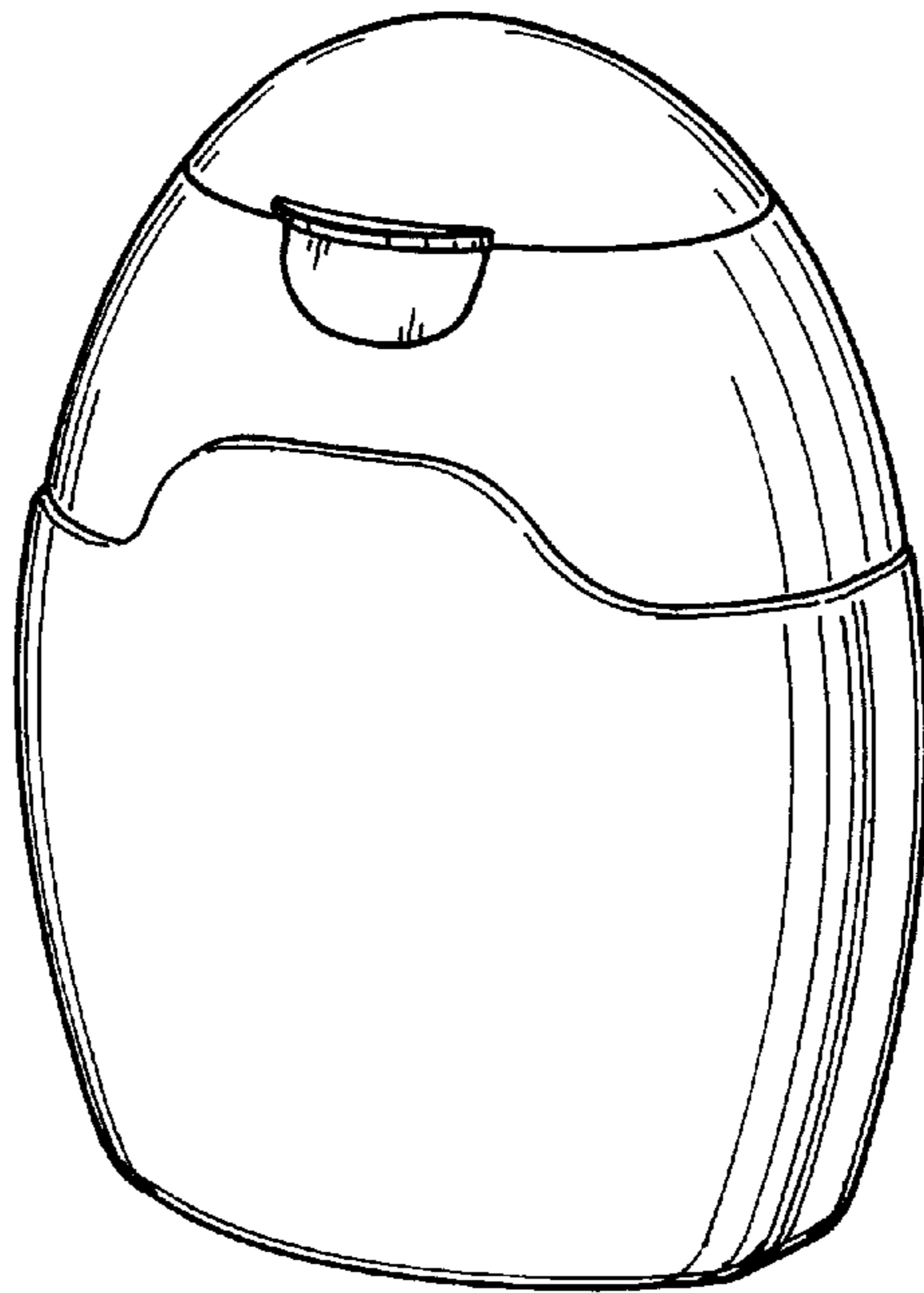
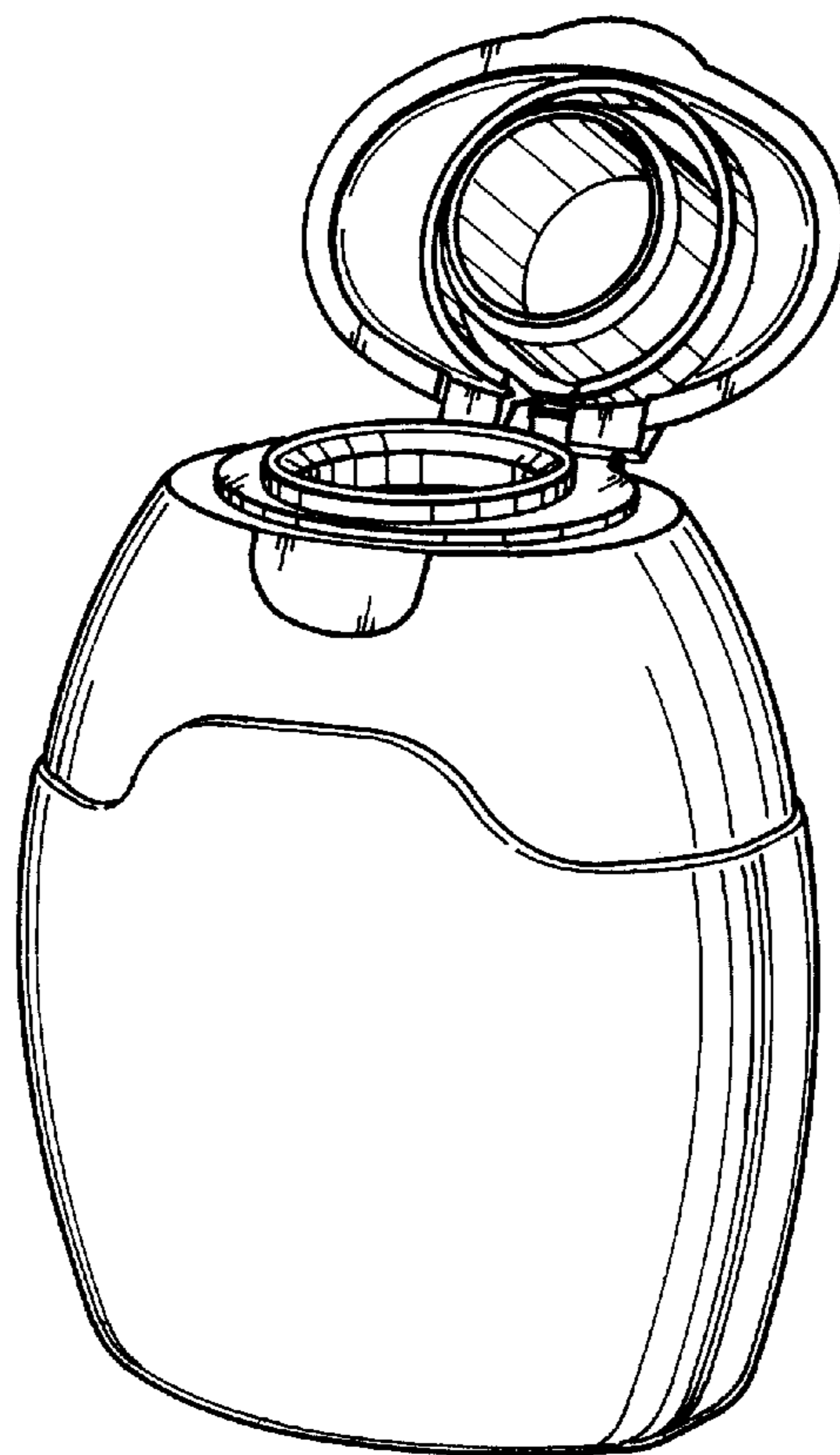


Fig. 24



UNITED STATES PATENT AND TRADEMARK OFFICE
CERTIFICATE OF CORRECTION

PATENT NO. : Des 449,536 S
DATED : October 23, 2001
INVENTOR(S) : Shigehiko Kokubo et al.

Page 1 of 1

It is certified that error appears in the above-identified patent and that said Letters Patent is hereby corrected as shown below:

Title page,

The following information is added:


-- [30] **Foreign Application Priority Data**

Oct. 6, 1999 (JP) 11-27325
Oct. 6, 1999 (JP) 11-27327 --

Signed and Sealed this

Twenty-fifth Day of June, 2002

Attest:



Attesting Officer

JAMES E. ROGAN
Director of the United States Patent and Trademark Office