



US00D449532B2

(12) **United States Design Patent**
Modjeski

(10) **Patent No.:** **US D449,532 S**

(45) **Date of Patent:** **** Oct. 23, 2001**

(54) **CONTAINER**

(75) **Inventor:** **Lara Modjeski, New York, NY (US)**

(73) **Assignee:** **Polo Ralph Lauren Corporation, New York, NY (US)**

(**) **Term:** **14 Years**

(21) **Appl. No.:** **29/118,350**

(22) **Filed:** **Feb. 3, 2000**

(51) **LOC (7) Cl.** **09-01**

(52) **U.S. Cl.** **D9/500; D9/545; D9/574**

(58) **Field of Search** **D9/300, 302, 337-339, D9/341, 347, 414, 418, 430, 448-450, 500, 503-504, 516, 520-523, 529, 530, 535, 526, 545, 548, 549, 574-575; 206/432; 215/382-384, 6; 220/780-783; 222/206, 212-213, 215, 321.7-321.9**

(56) **References Cited**

U.S. PATENT DOCUMENTS

- D. 120,813 * 5/1940 Kihn D9/568
- D. 176,439 * 12/1955 Berman D9/449
- D. 202,227 * 9/1965 Kendall et al. D9/449
- D. 253,034 * 10/1979 Meyer et al. D9/522
- D. 371,739 * 7/1996 Van Dyk D9/502
- D. 372,427 * 8/1996 Jago et al. D9/500
- D. 395,229 * 6/1998 Swenson D9/300
- D. 396,807 * 8/1998 Lauth D9/500
- D. 412,837 * 8/1999 Blackburn D9/500
- D. 414,418 * 9/1999 Nosella D9/502
- D. 421,384 * 3/2000 Herrmann D9/300

- 5,277,324 * 1/1994 Cash 215/384
- 5,335,801 * 8/1994 Lee 215/249
- 5,931,323 * 8/1999 Wilkinson et al. 215/384
- 6,065,624 * 5/2000 Steinke 215/383

OTHER PUBLICATIONS

- Creative—Neville round 150 ml plastic bottle, color photograph, 1 view, 1 page.
- Heinz Plastics—250 ml plastic bottle, color photograph, 2 views, 1 page.
- Burberry's Week End, 50 ml glass bottle, color photograph, 1 view, 1 page.
- Bulgari Black fragrance bottle.

* cited by examiner

Primary Examiner—Ted Shooman

Assistant Examiner—Carol Rademaker

(74) *Attorney, Agent, or Firm*—Baker Botts L.L.P.

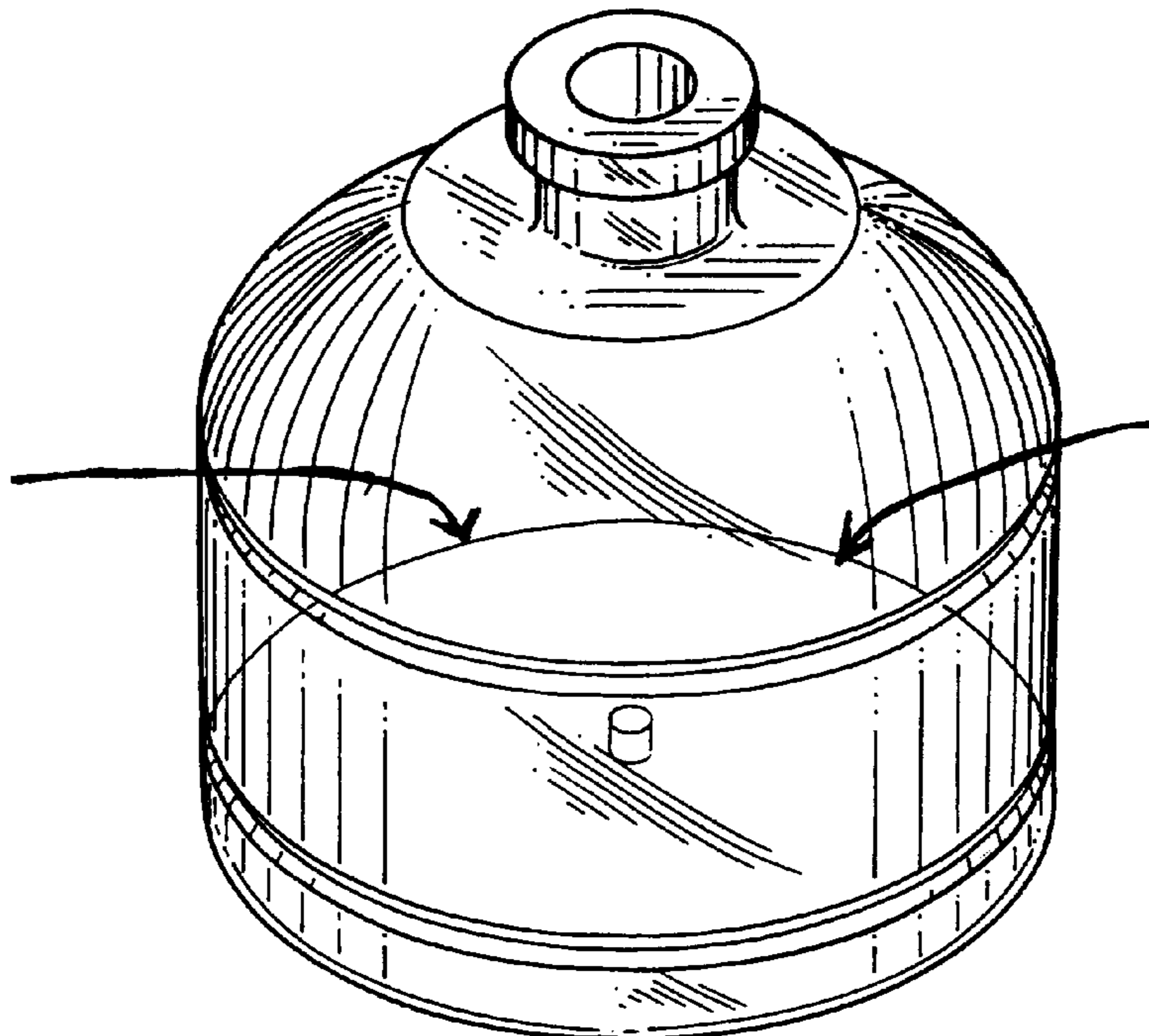
(57) **CLAIM**

The ornamental design for a container, as shown and described.

DESCRIPTION

FIG. 1 is a three-dimensional perspective view of the container of the present invention;
 FIG. 2 is a front view of the container of the present invention;
 FIG. 3 is a top view of the container of the present invention;
 and,
 FIG. 4 is a bottom view of the container of the present invention.

1 Claim, 1 Drawing Sheet



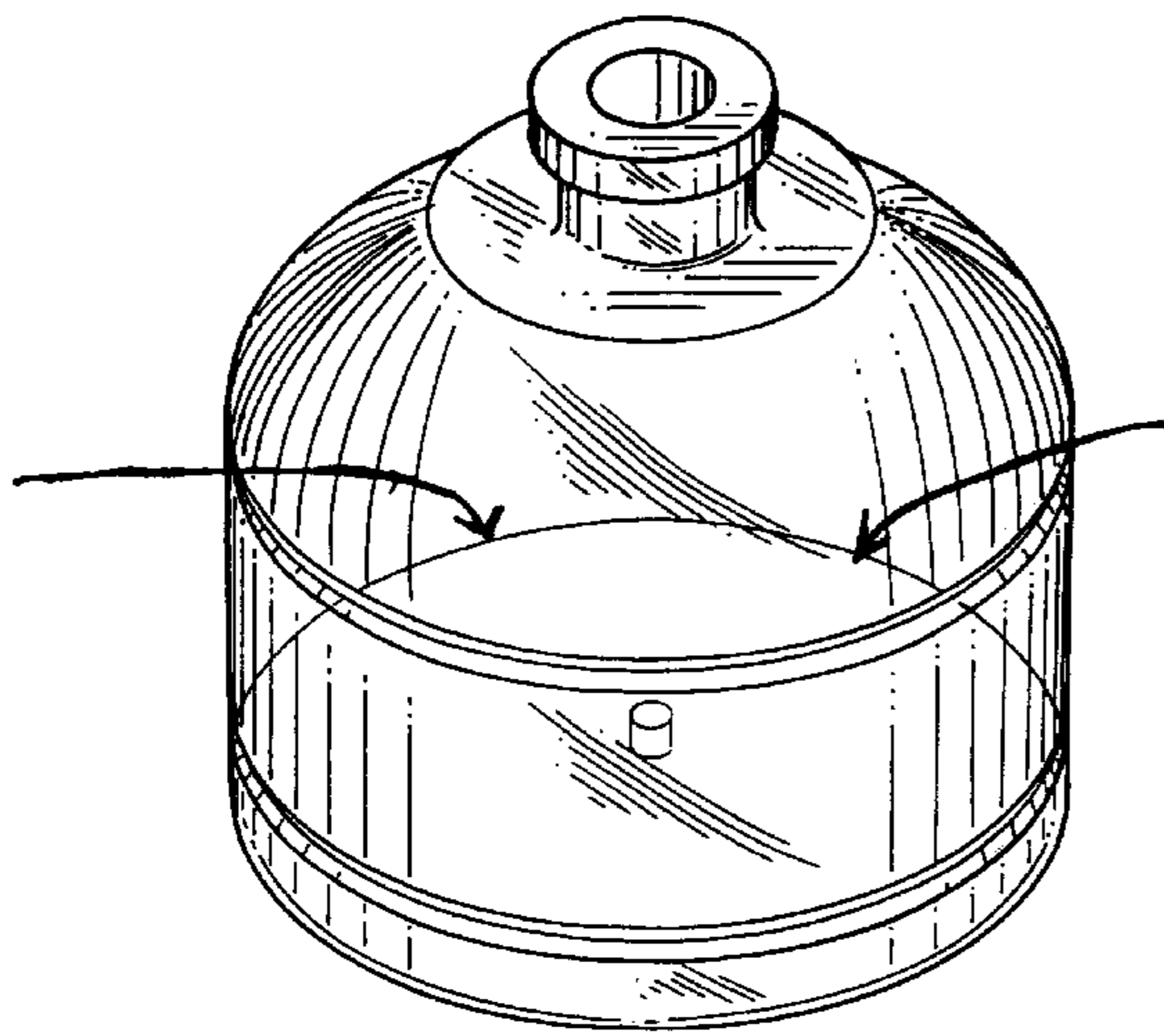


FIG. 1

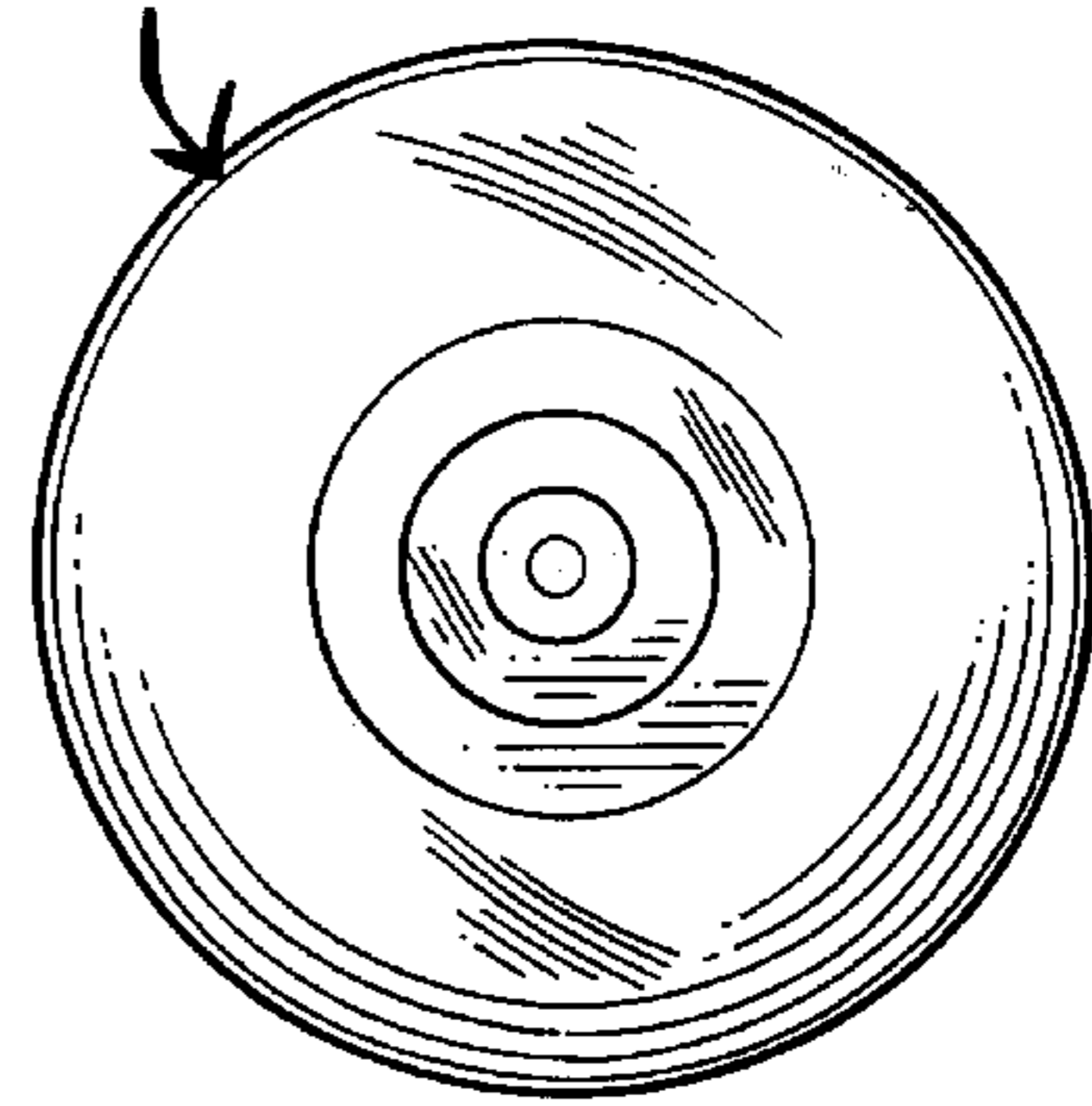


FIG. 3

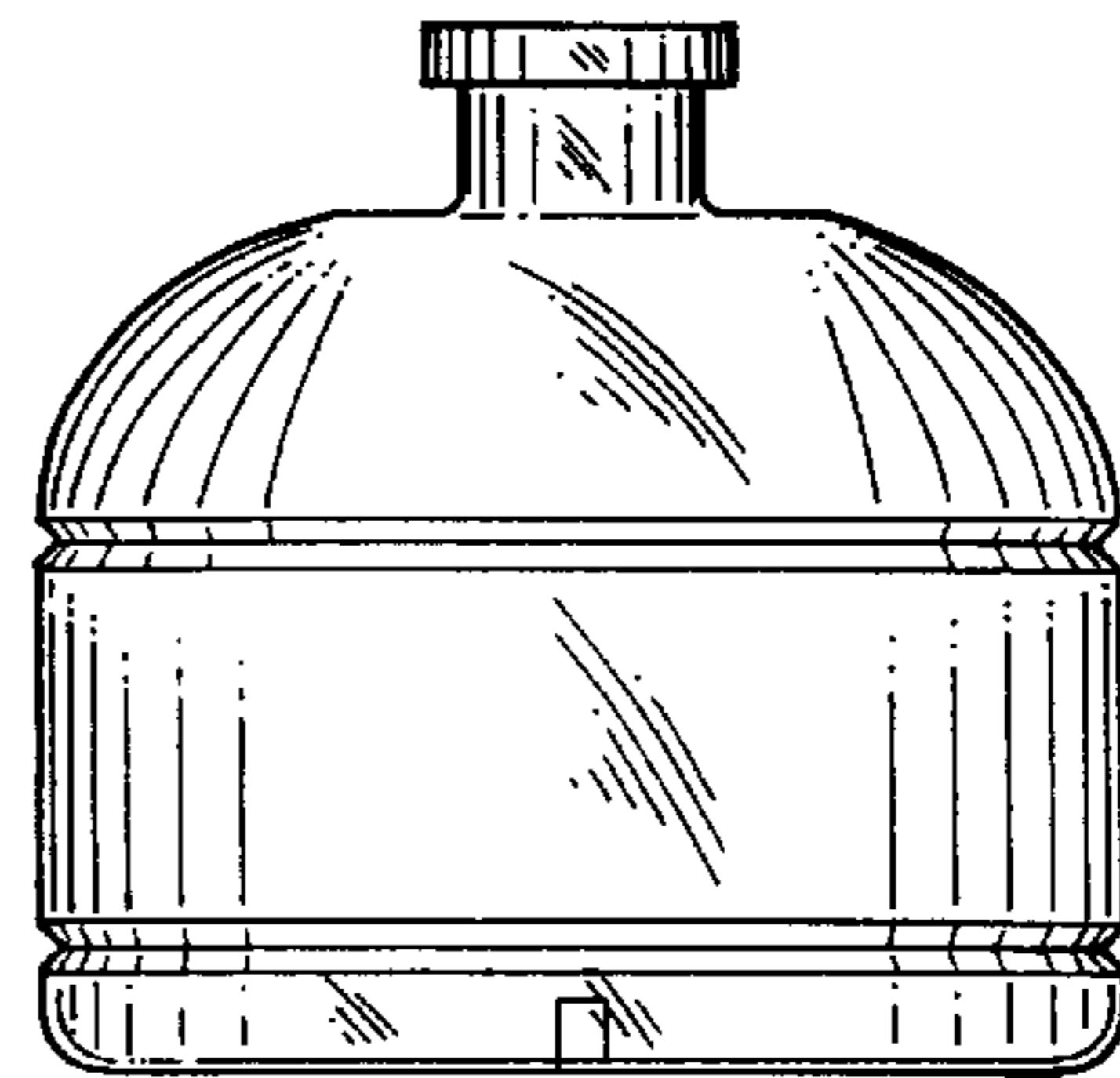


FIG. 2

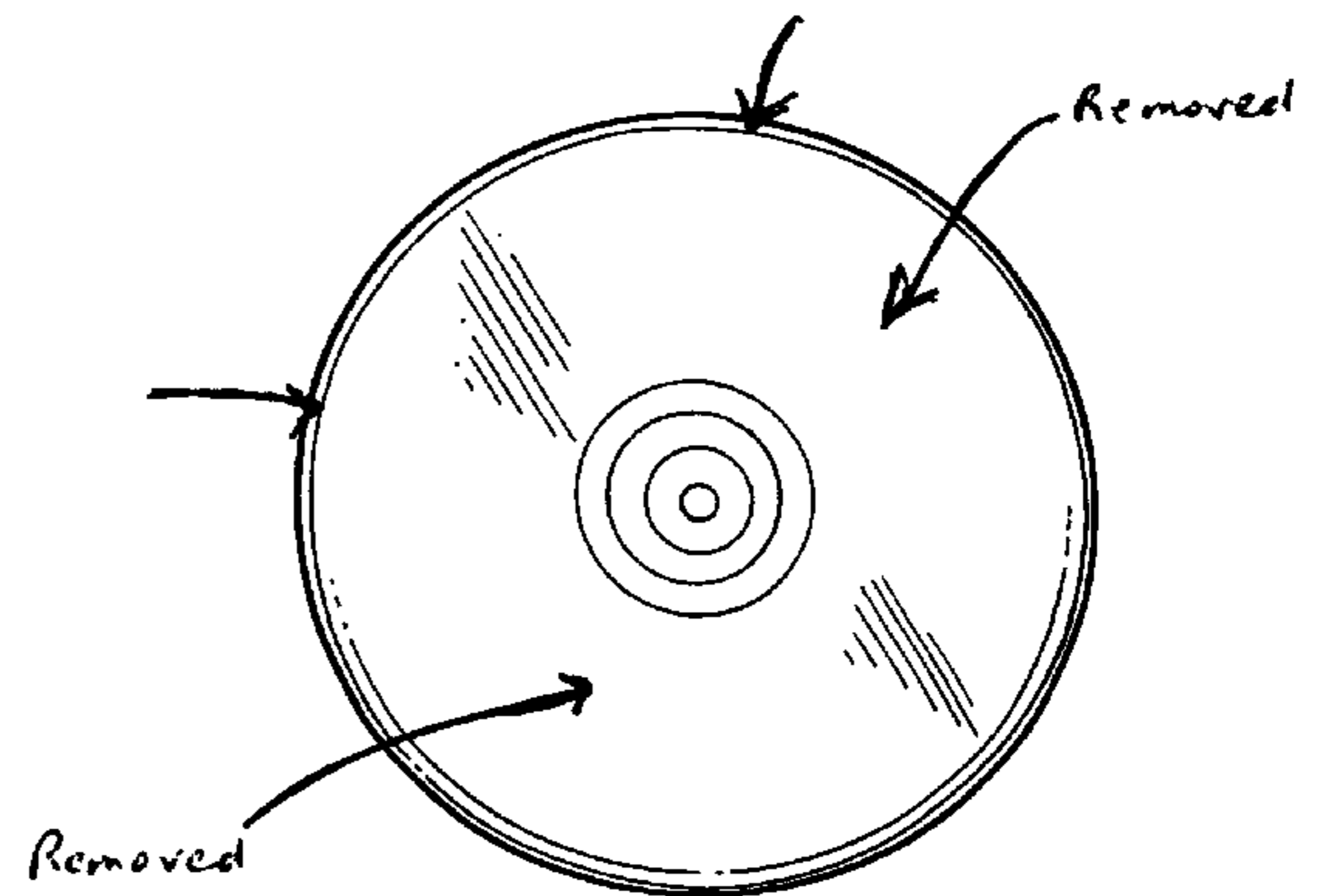


FIG. 4

UNITED STATES PATENT AND TRADEMARK OFFICE
CERTIFICATE OF CORRECTION

PATENT NO. : Des 449,532 S
DATED : October 23, 2002
INVENTOR(S) : Lara Modjeski

Page 1 of 3

It is certified that error appears in the above-identified patent and that said Letters Patent is hereby corrected as shown below:

Title page,

Showing the illustrative figure, should be deleted and substitute therefor the attached title page.

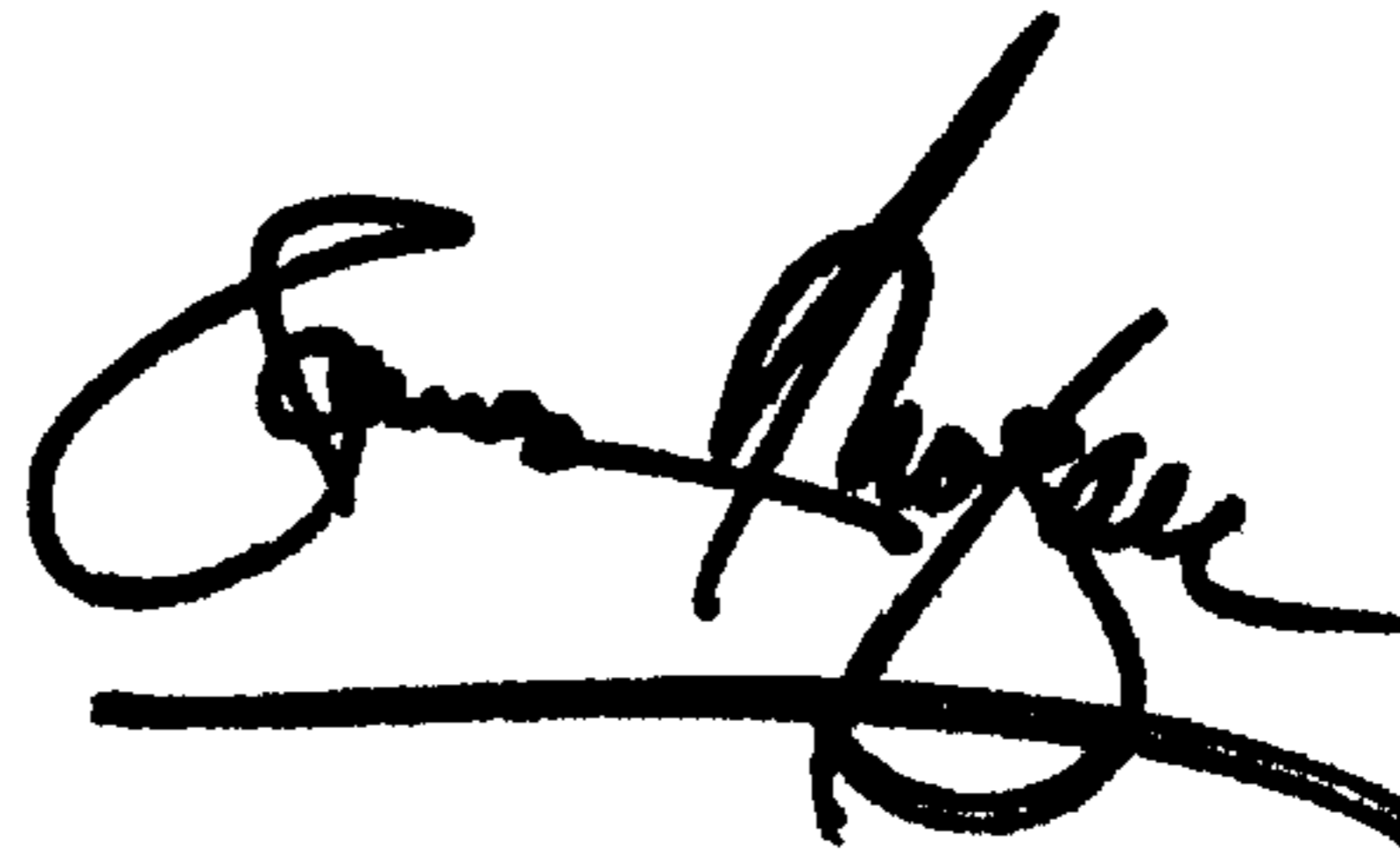
Drawings,

The Sheet of drawings, consisting of FIGS. 1 – 4, should be deleted and substitute therefor the sheet of drawings consisting of FIGS. 1 – 4, as shown on attached page.

Signed and Sealed this

Ninth Day of July, 2002

Attest:

A handwritten signature in black ink, appearing to read "James E. Rogan", with a horizontal line drawn underneath it.

Attesting Officer

JAMES E. ROGAN
Director of the United States Patent and Trademark Office

(12) **United States Design Patent** (10) **Patent No.:** **US D449,532 S**
Modjeski (45) **Date of Patent:** **** Oct. 23, 2001**

(54) **CONTAINER**
 (75) **Inventor:** Lara Modjeski, New York, NY (US)
 (73) **Assignee:** Polo Ralph Lauren Corporation, New York, NY (US)
 (**) **Term:** 14 Years
 (21) **Appl. No.:** 29/118,350
 (22) **Filed:** Feb. 3, 2000
 (51) **LOC (7) Cl.** 09-01
 (52) **U.S. Cl.** D9/500; D9/545; D9/574
 (58) **Field of Search** D9/300, 302, 337-339, D9/341, 347, 414, 418, 430, 448-450, 500, 503-504, 516, 520-523, 529, 530, 535, 526, 545, 548, 549, 574-575; 206/432; 215/382-384, 6; 220/780-783; 222/206, 212-213, 215, 321.7-321.9

5,277,324 * 1/1994 Cash 215/384
 5,335,801 * 8/1994 Lee 215/249
 5,931,323 * 8/1999 Wilkinson et al. 215/384
 6,065,624 * 5/2000 Steinke 215/383

OTHER PUBLICATIONS

Creative—Neville round 150 ml plastic bottle, color photograph, 1 view, 1 page.
 Heinz Plastics—250 ml plastic bottle, color photograph, 2 views, 1 page.
 Burberry's Week End, 50 ml glass bottle, color photograph, 1 view, 1 page.
 Bulgari Black fragrance bottle.

* cited by examiner

Primary Examiner—Ted Shooman
Assistant Examiner—Carol Rademaker
 (74) *Attorney, Agent, or Firm*—Baker Botts L.L.P.

(57) **CLAIM**

The ornamental design for a container, as shown and described.

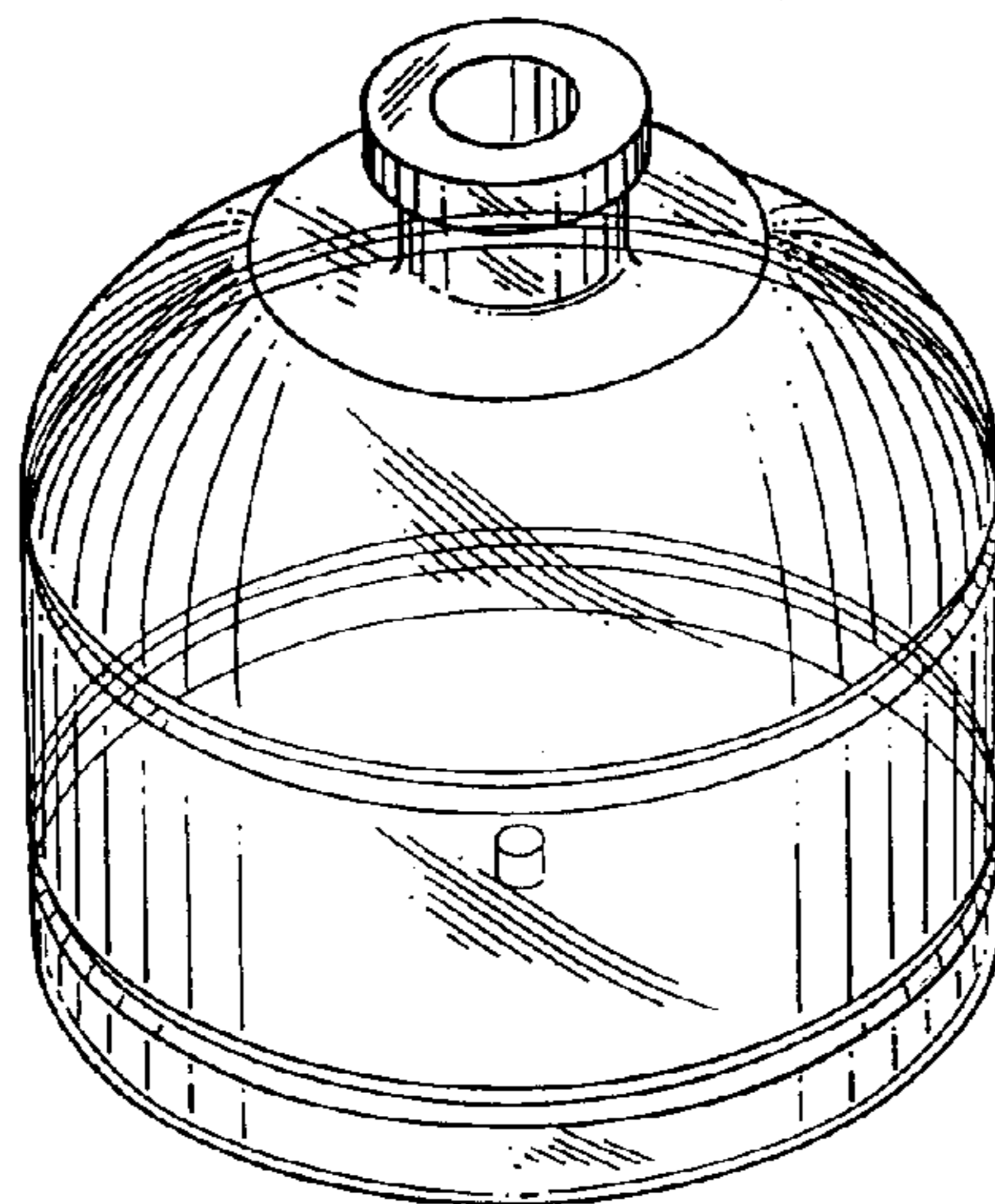
(56) **References Cited**
U.S. PATENT DOCUMENTS

D. 120,813 * 5/1940 Kihn D9/568
 D. 176,439 * 12/1955 Berman D9/449
 D. 202,227 * 9/1965 Kendall et al. D9/449
 D. 253,034 * 10/1979 Meyer et al. D9/522
 D. 371,739 * 7/1996 Van Dyk D9/502
 D. 372,427 * 8/1996 Jago et al. D9/500
 D. 395,229 * 6/1998 Swenson D9/300
 D. 396,807 * 8/1998 Lauth D9/500
 D. 412,837 * 8/1999 Blackburn D9/500
 D. 414,418 * 9/1999 Nosella D9/502
 D. 421,384 * 3/2000 Herrmann D9/300

DESCRIPTION

FIG. 1 is a three-dimensional perspective view of the container of the present invention;
 FIG. 2 is a front view of the container of the present invention;
 FIG. 3 is a top view of the container of the present invention; and,
 FIG. 4 is a bottom view of the container of the present invention.

1 Claim, 1 Drawing Sheet



U.S. Patent

Oct. 23, 2002

Des. 449,532 S

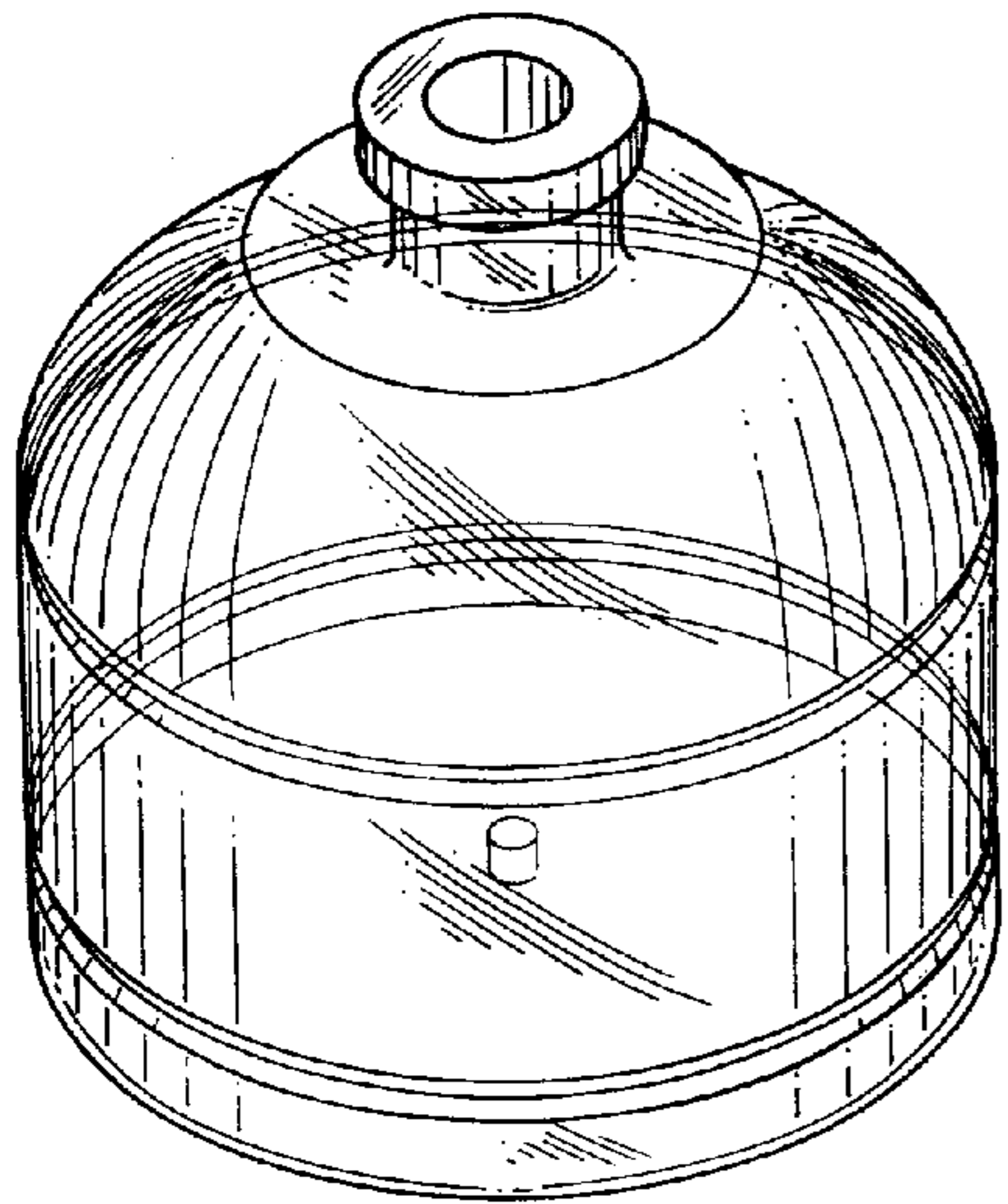


FIG. 1

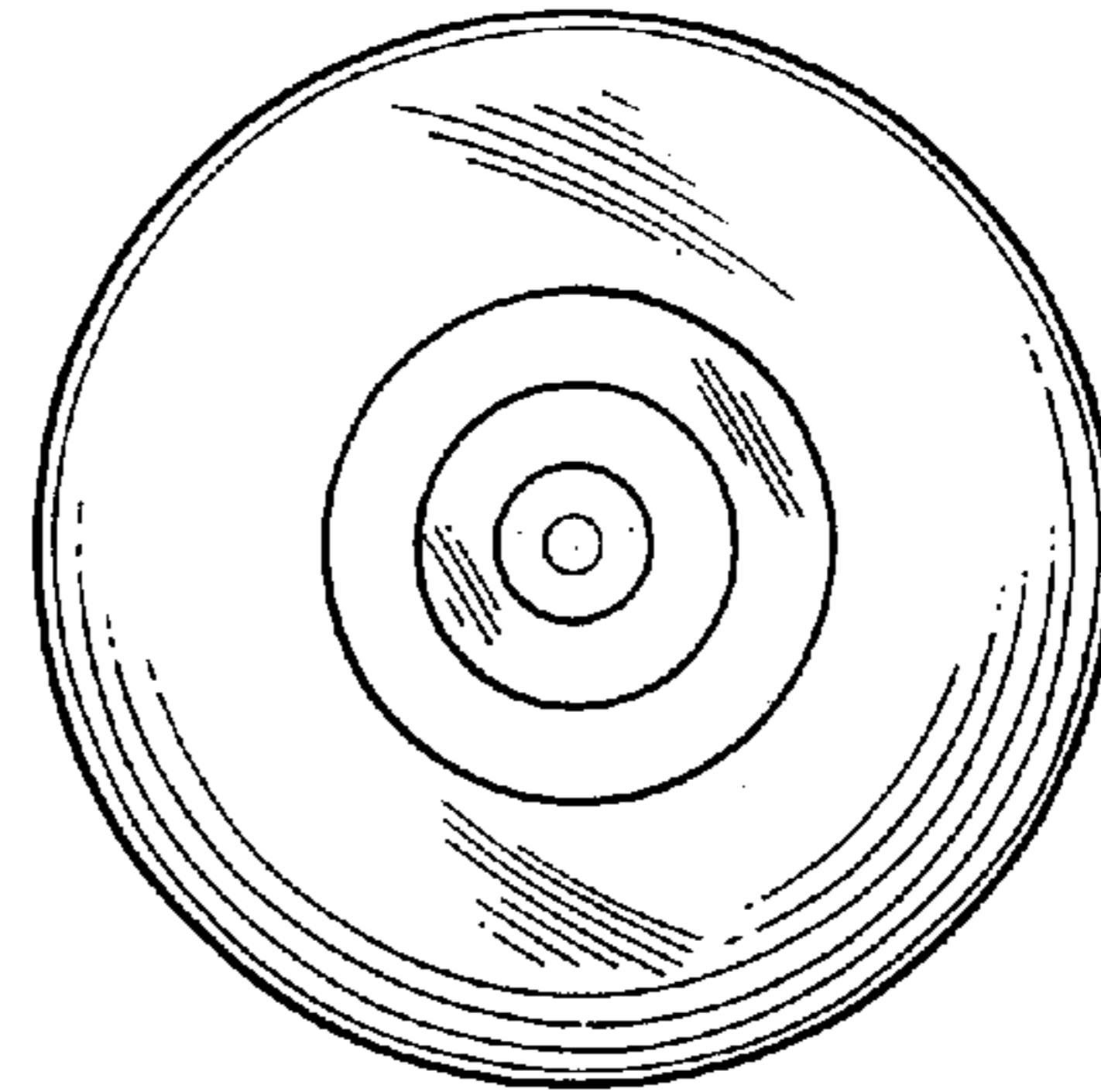


FIG. 3

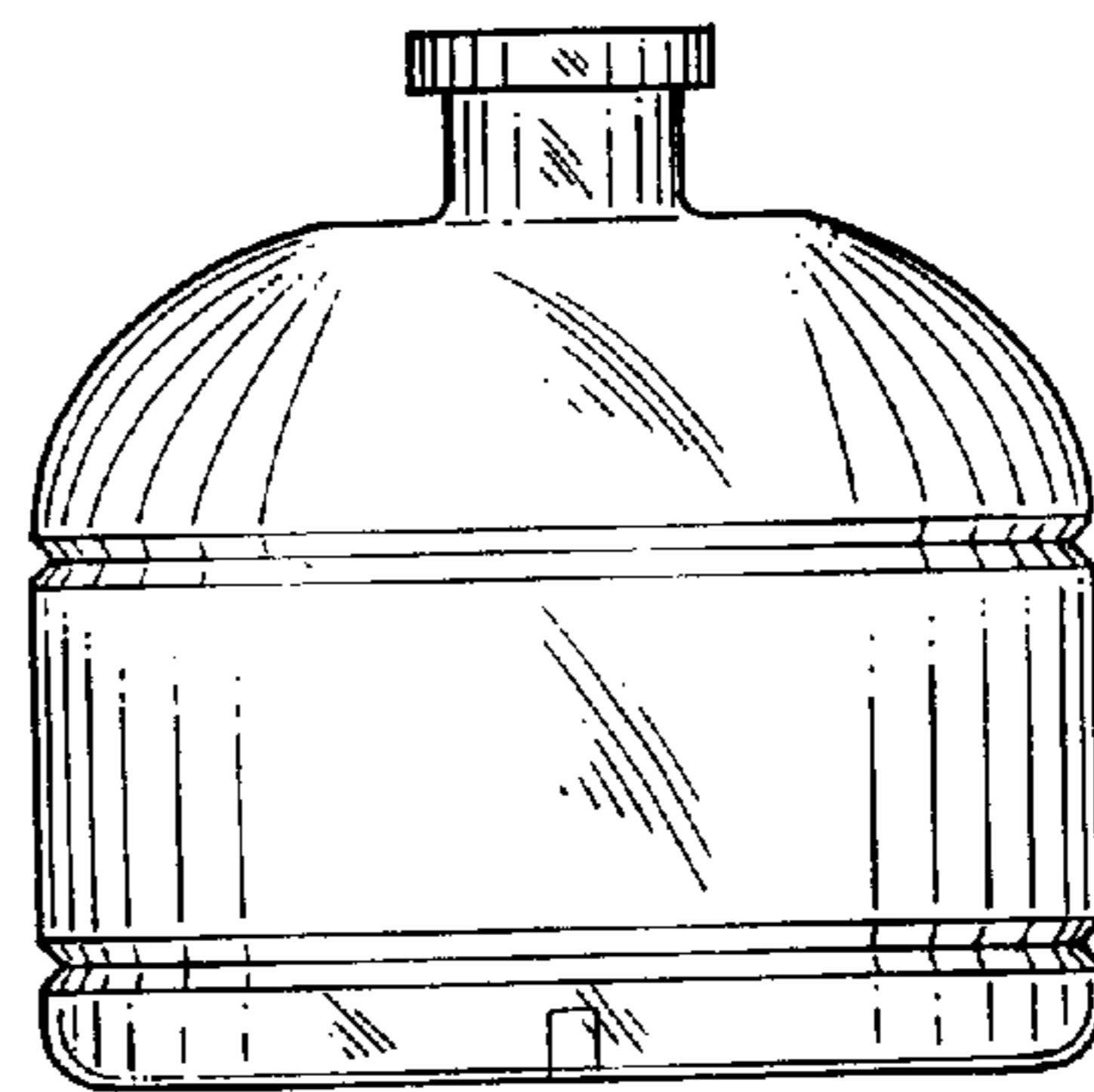


FIG. 2

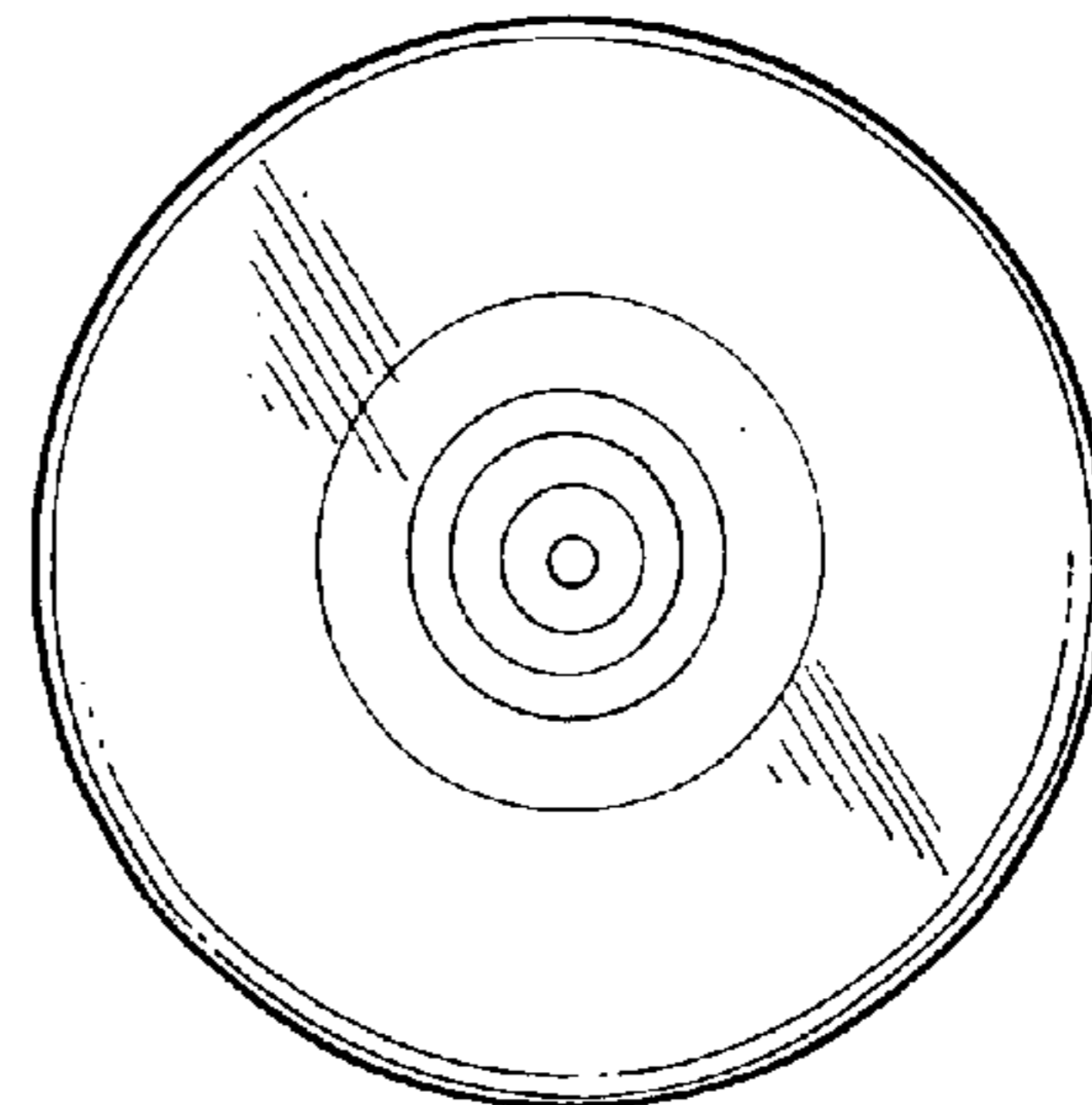


FIG. 4