



US00D449529B1

(12) **United States Design Patent**  
**Poppick**

(10) **Patent No.:** **US D449,529 S**

(45) **Date of Patent:** **\*\* Oct. 23, 2001**

(54) **JAR LID**

(75) **Inventor:** **Jonathan L. Poppick**, Fairfield, CT  
(US)

(73) **Assignee:** **Candle Corporation of America**,  
Elkin, NC (US)

(\*\*) **Term:** **14 Years**

(21) **Appl. No.:** **29/125,900**

(22) **Filed:** **Jun. 30, 2000**

(51) **LOC (7) Cl.** ..... **09-07**

(52) **U.S. Cl.** ..... **D9/451**

(58) **Field of Search** ..... D9/434, 435, 451;  
206/457; D26/23

(56) **References Cited**

**U.S. PATENT DOCUMENTS**

- D. 25,893 \* 8/1896 Dickinson ..... D9/451
- D. 26,787 \* 3/1897 Vanderbilt ..... D26/23
- D. 57,902 \* 5/1921 Heymann ..... D9/451

- D. 80,195 \* 12/1929 Thornton ..... D9/451
- D. 304,226 \* 10/1989 Kim et al. .... D23/367
- 1,490,341 \* 4/1924 Olney ..... 206/457

\* cited by examiner

*Primary Examiner*—Dominic Simone

(74) *Attorney, Agent, or Firm*—Marshall, Gerstein, &  
Borun

(57) **CLAIM**

The ornamental design for a jar lid, as shown and described.

**DESCRIPTION**

FIG. 1 is a perspective view of a jar lid showing the new design;

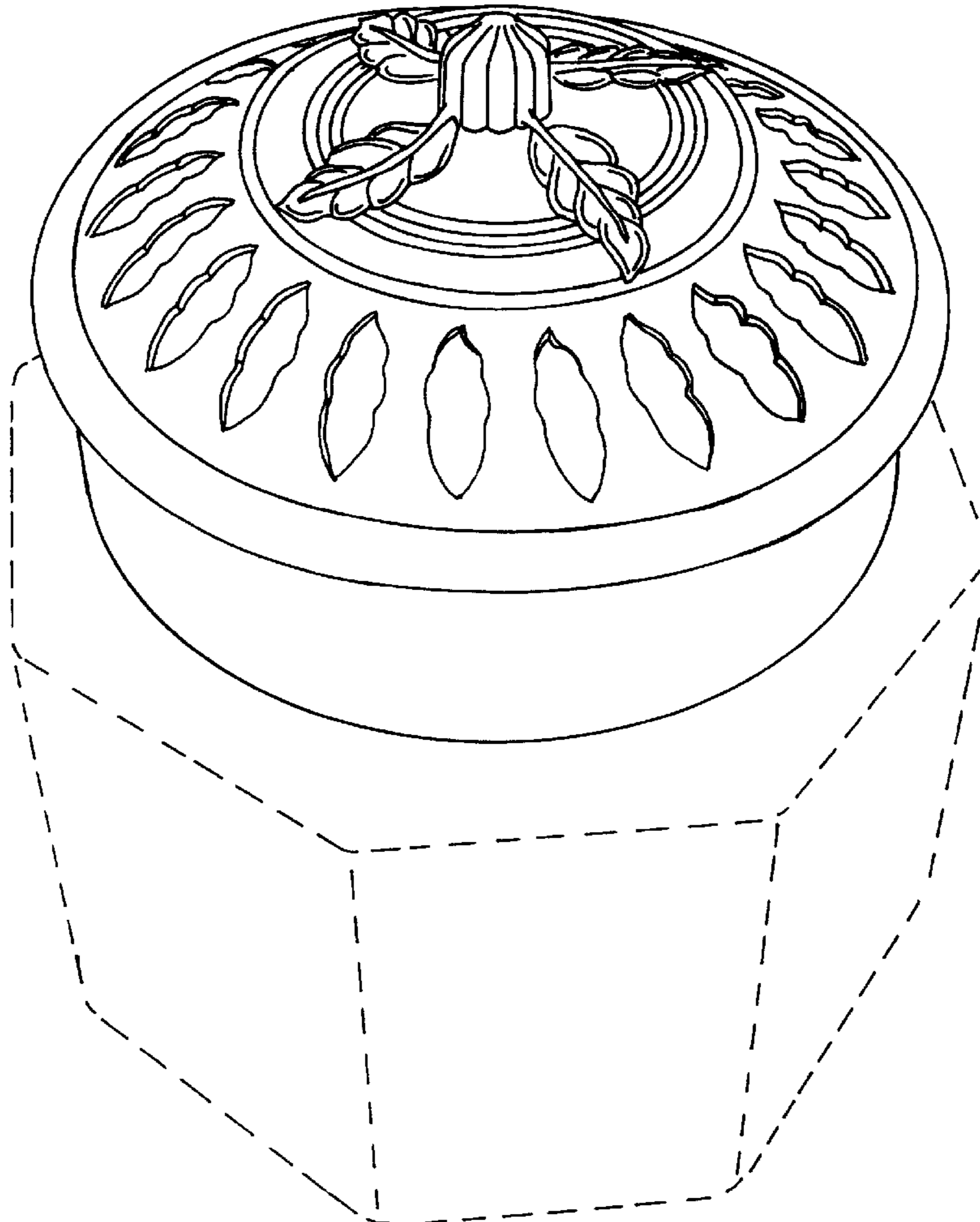
FIG. 2 is both a side elevational view thereof and a front elevational view thereof, the opposite side elevational view and the opposite rear elevational view being mirror images;

FIG. 3 is a top plan view thereof; and,

FIG. 4 is a bottom plan view thereof.

The broken line showing a jar of FIG. 1 is for illustrative purposes only and forms no part of the claimed design.

**1 Claim, 2 Drawing Sheets**



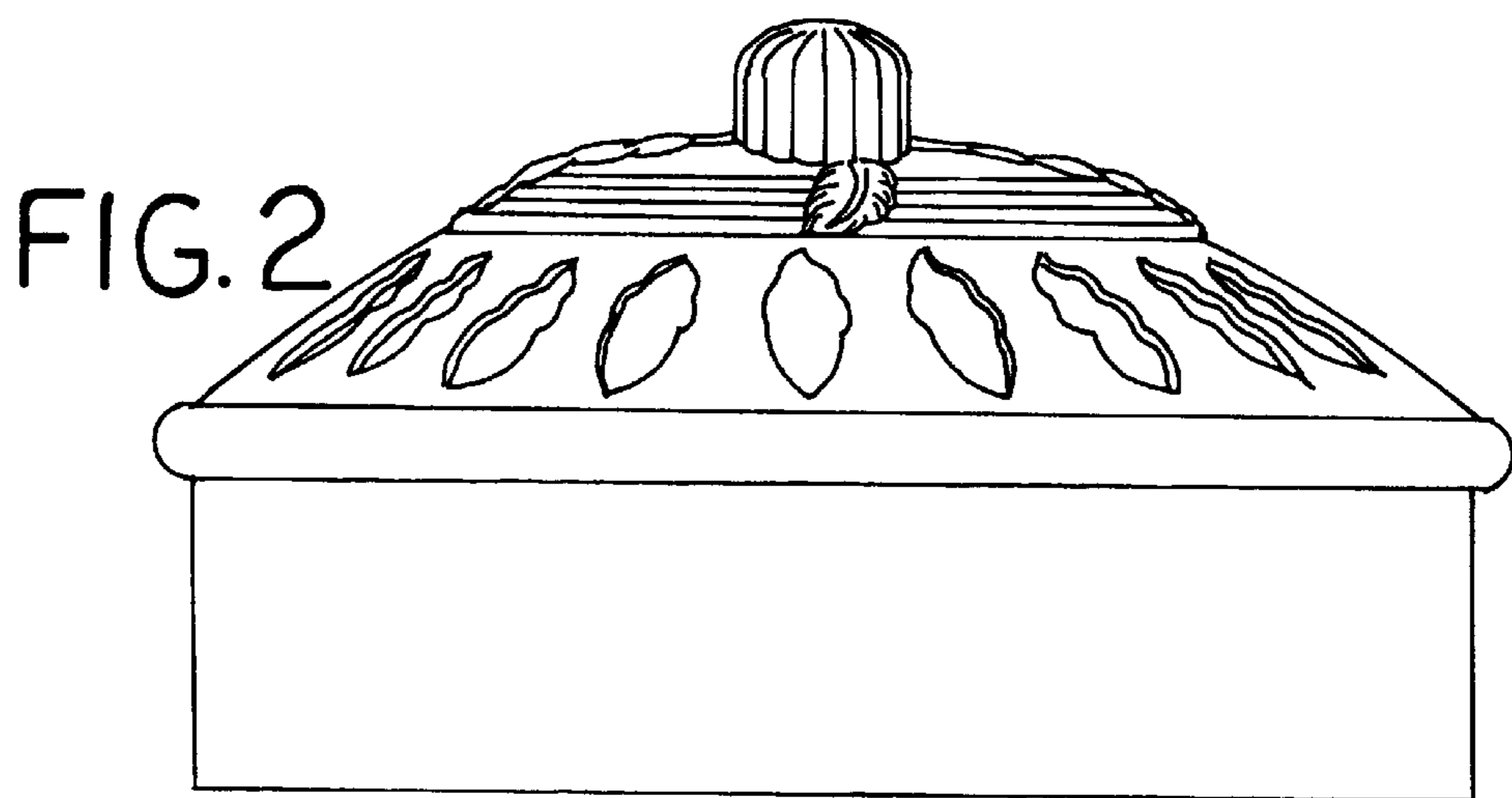
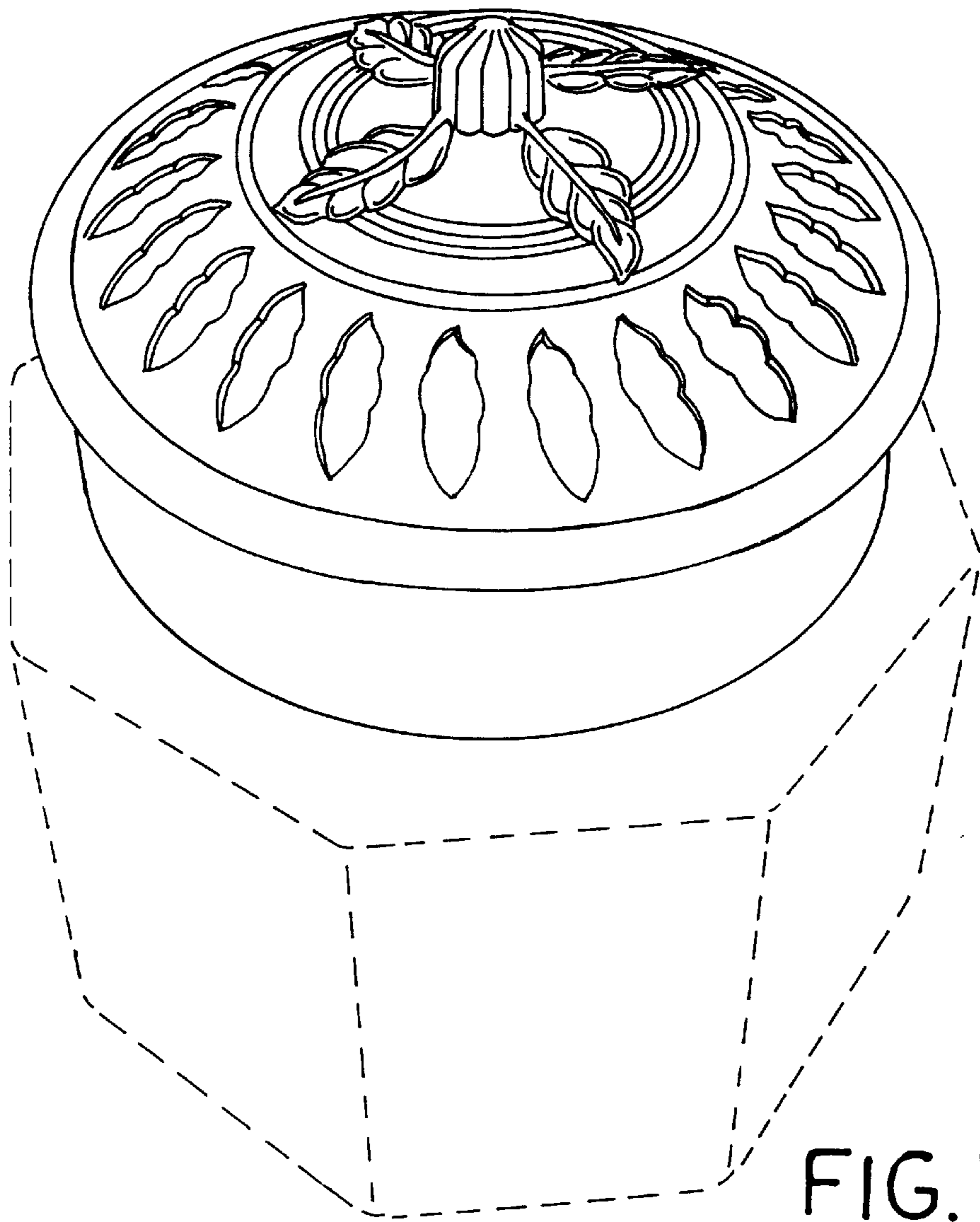


FIG.3

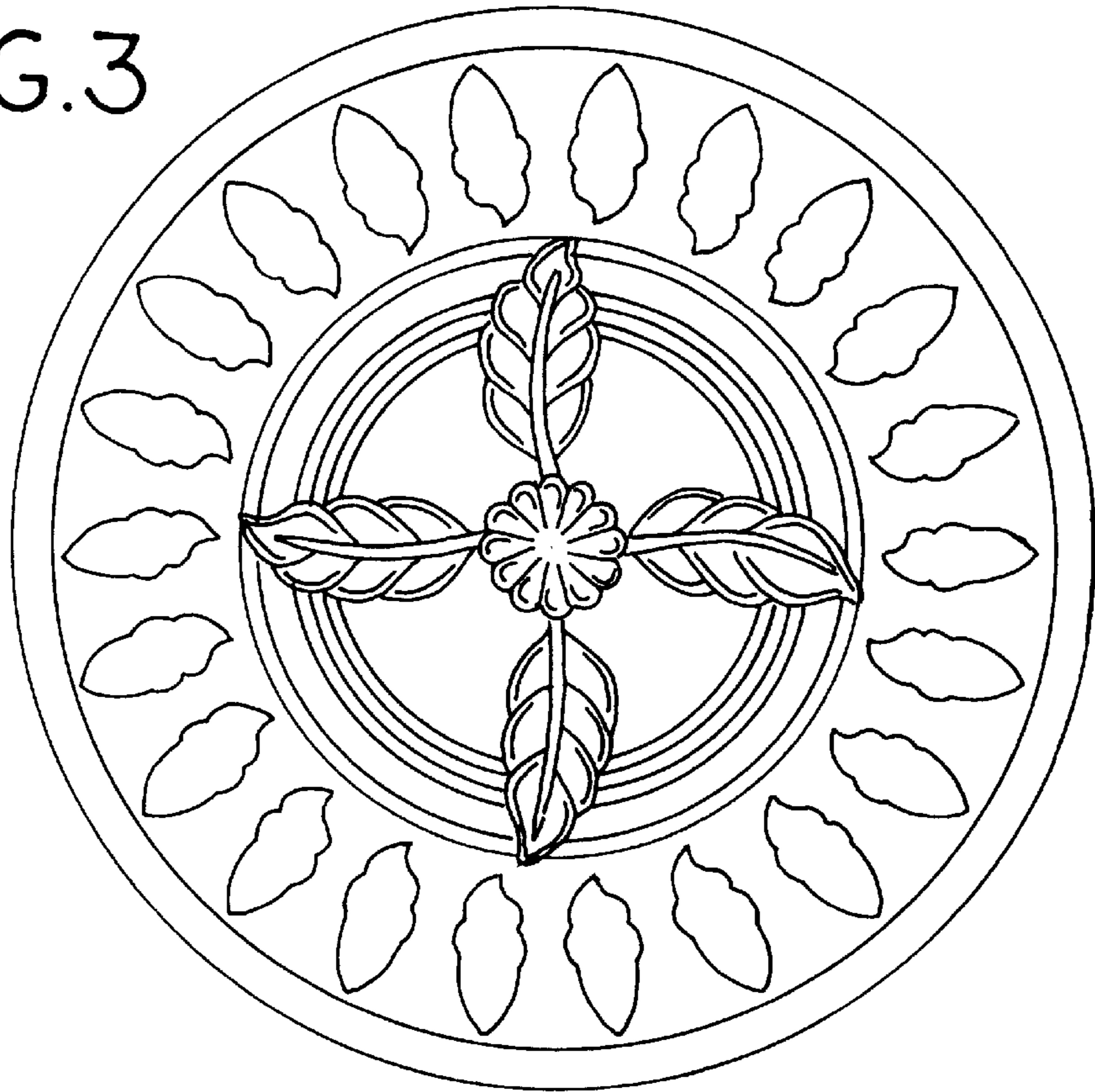


FIG.4

