



US00D449528B1

(12) **United States Design Patent**
Buck et al.

(10) **Patent No.:** **US D449,528 S**

(45) **Date of Patent:** **** Oct. 23, 2001**

(54) **DOMED INNER COVER FOR A CONTAINER**

(75) Inventors: **Frederick Allan Buck**, Neenah;
Andrew Kuo, Appleton; **Yvette Lynn Hammonds**, Fond du Lac, all of WI (US); **John David Amundson**, Crawley (GB)

(73) Assignee: **Kimberly-Clark Worldwide, Inc.**, Neenah, WI (US)

(**) Term: **14 Years**

(21) Appl. No.: **29/121,018**

(22) Filed: **Mar. 30, 2000**

(51) **LOC (7) Cl.** **09-07**

(52) **U.S. Cl.** **D9/440; D3/318**

(58) **Field of Search** D9/420, 422, 423, D9/424, 425, 440; D3/273, 294, 295, 318, 302; 220/326, 335, 337; 221/33, 45, 52, 56, 40, 41; 206/812, 210

(56) **References Cited**

U.S. PATENT DOCUMENTS

D. 395,952	7/1998	Buczynski et al.	D3/294
D. 412,439 *	8/1999	Cormack	D9/423
D. 414,637	10/1999	Amundson et al.	D6/518
3,780,908	12/1973	Fitzpatrick et al. .	
3,836,044 *	9/1974	Tilp et al.	221/55
3,868,052	2/1975	Rockefeller .	

(List continued on next page.)

FOREIGN PATENT DOCUMENTS

0 068 722 B1	4/1988	(EP) .
0 331 027 B1	1/1992	(EP) .
0 744 357 A1	11/1996	(EP) .
0 644 130 B1	5/1998	(EP) .

OTHER PUBLICATIONS

American Society for Testing Materials (ASTM) Designation: D 412—98a “Standard Test Methods for Vulcanized Rubber and Thermoplastic Elastomers—Tension¹” pp. 43–55, published Aug. 1998.

American Society for Testing Materials (ASTM) Designation: D 790—99 “Standard Test Methods for Flexural Properties of Unreinforced and Reinforced Plastics and Electrical Insulating Materials¹” pp. 150–158, published Feb. 2000.

American Society for Testing Materials (ASTM) Designation: D 2240—97^{e1} “Standard Test Method for Rubber Property—Durometer Hardness¹” pp. 400–403, published Mar. 1997.

American Society for Testing Materials (ASTM) Designation: D 6125—97 “Standard Test Method for Bending Resistance of Paper and Paperboard (Gurley Type Tester)¹” pp. 885–889, published Feb. 1998.

Primary Examiner—Philip S. Hyder

(74) *Attorney, Agent, or Firm*—Gregory E. Croft; Michael J. Bendel

(57) **CLAIM**

We claim the ornamental design for a domed inner cover for a container, as shown and described.

DESCRIPTION

The ornamental design of this invention is a domed inner cover for a container. The dispensing opening within the domed inner cover comprises a flexible material with one or more slits through which sheets, such as wet wipes, are dispensed. The domed inner cover is preferably pitched slightly toward the front of the container and with an oval-shaped window of a flexible material having a star-shaped slit configuration.

FIG. 1 is a perspective view of a domed inner cover for a container showing our new design.

FIG. 2 is a top view of the domed inner cover for a container.

FIG. 3 is a bottom view thereof.

FIG. 4 is a left side view thereof.

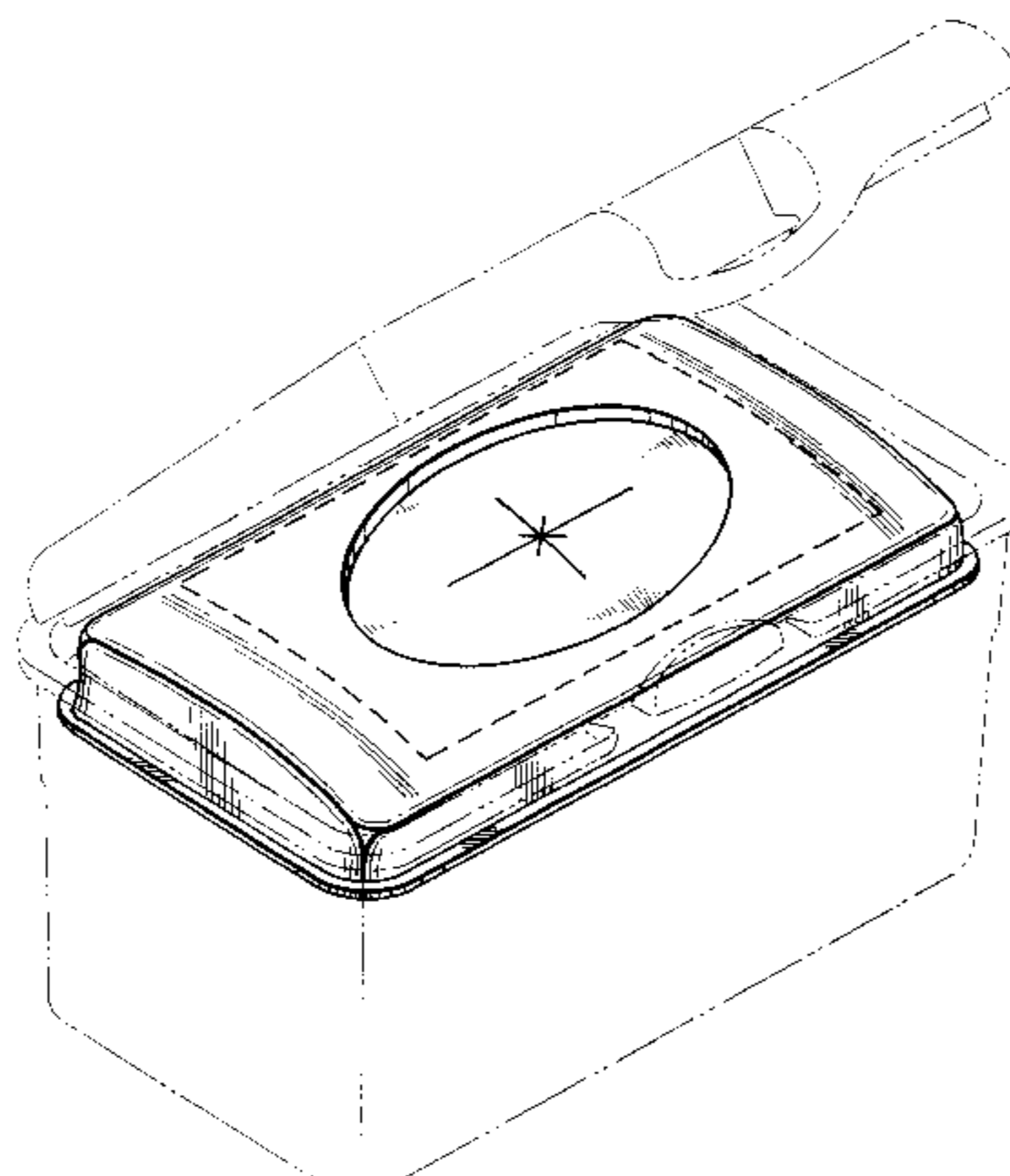
FIG. 5 is a right side view thereof.

FIG. 6 is a front view thereof; and,

FIG. 7 is a rear view thereof.

Phantom lines depict the environment and form no part of the claimed invention illustrated.

1 Claim, 4 Drawing Sheets



US D449,528 S

Page 2

U.S. PATENT DOCUMENTS					
			5,704,471	1/1998	Yamada 206/207
			5,729,955	3/1998	Yamada 53/412
			5,785,179	7/1998	Buczynski et al. 206/494
			5,908,138	6/1999	Vlahakis et al. 221/63
			6,164,442 *	12/2000	Stravitz 206/223
			6,182,858	2/2001	Hartog 221/63
3,994,417	11/1976	Boedecker 221/48			
4,180,160	12/1979	Ogawa et al. .			
4,289,262	9/1981	Finkelstein .			
4,784,290	11/1988	Howard 221/63			
4,848,575	7/1989	Nakamura et al. 206/449			
5,368,188 *	11/1994	Twardowski 221/50			
5,542,567	8/1996	Julius 221/63			

* cited by examiner

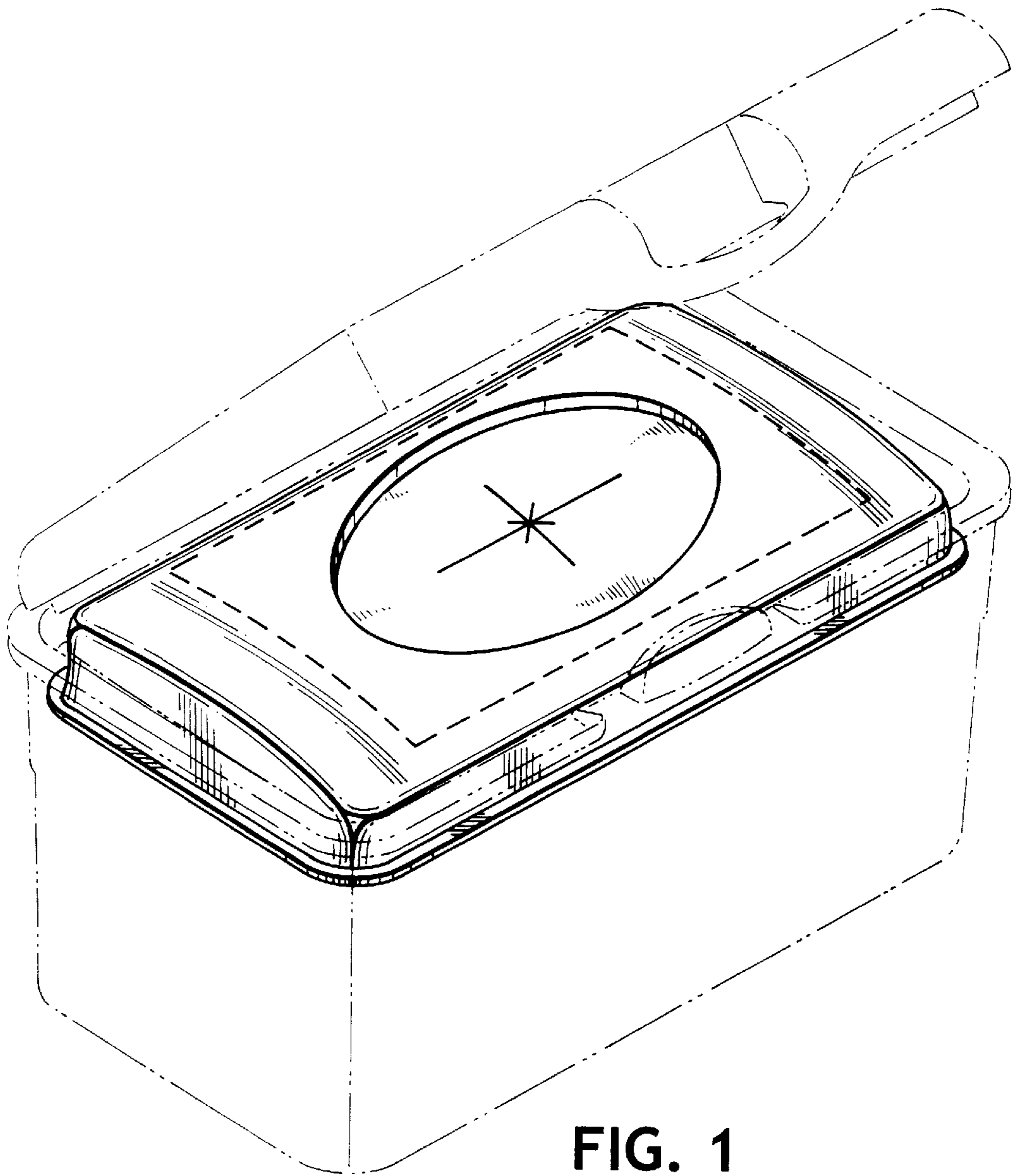


FIG. 1

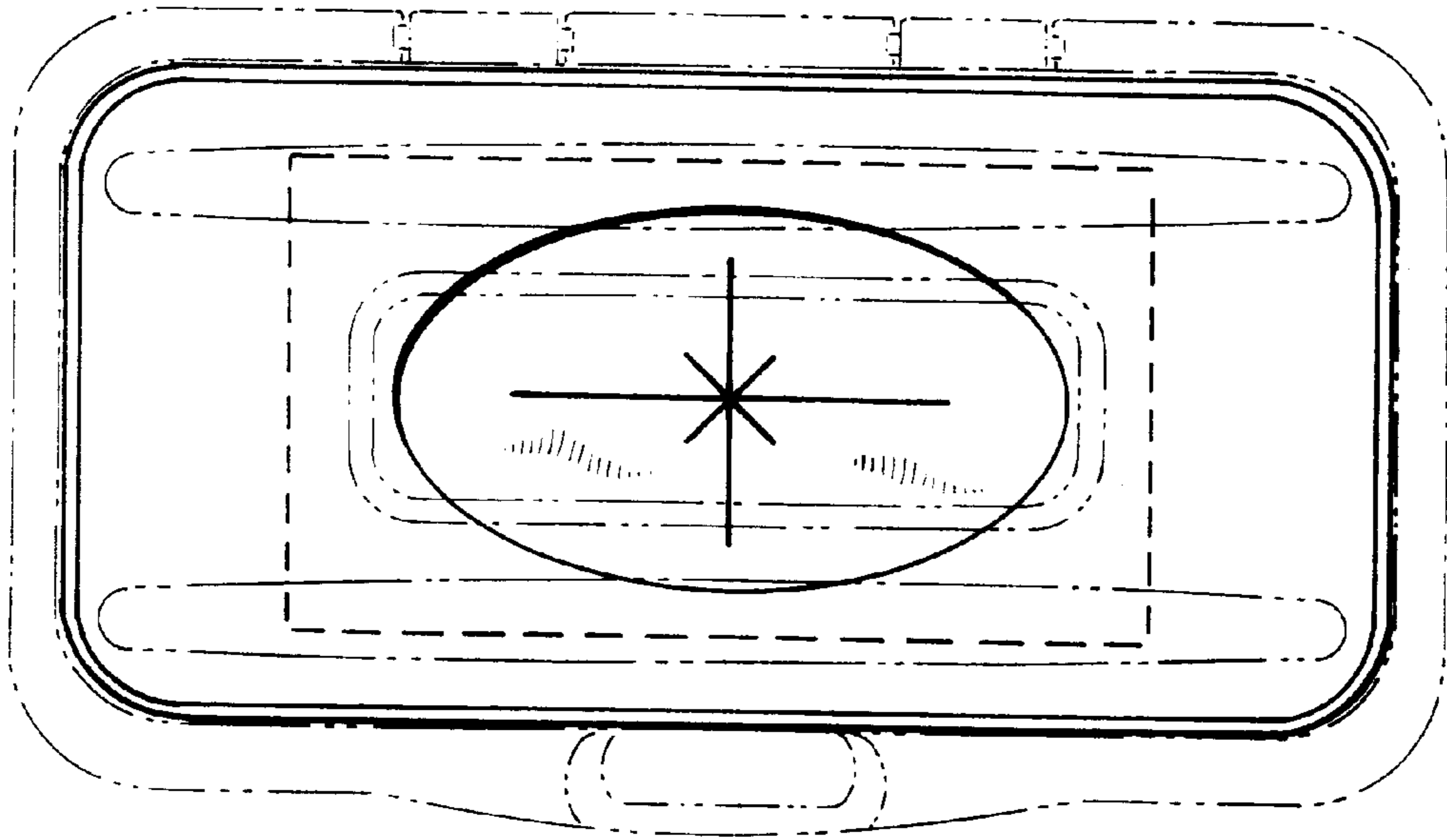


FIG. 2

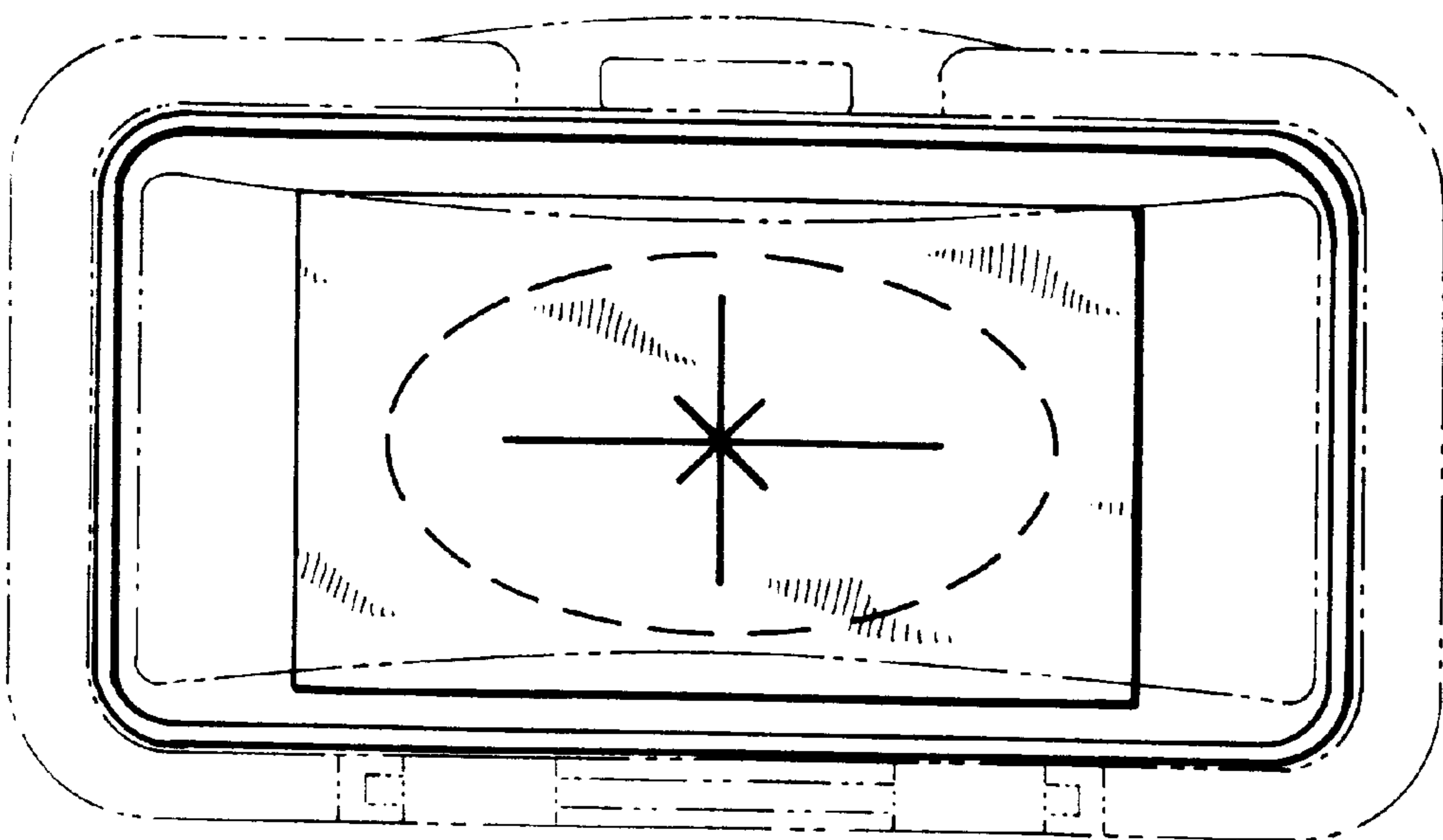


FIG. 3

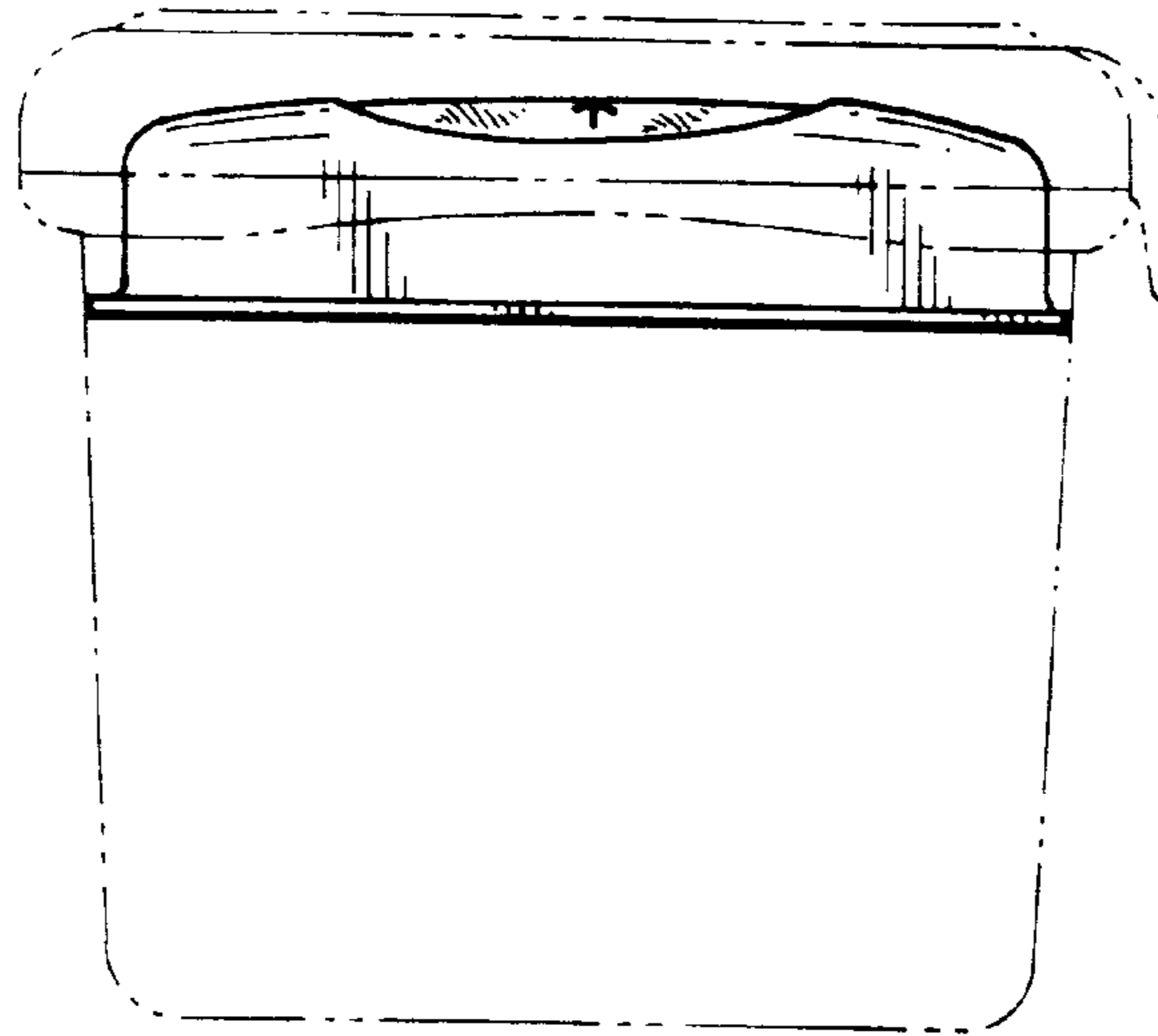


FIG. 4

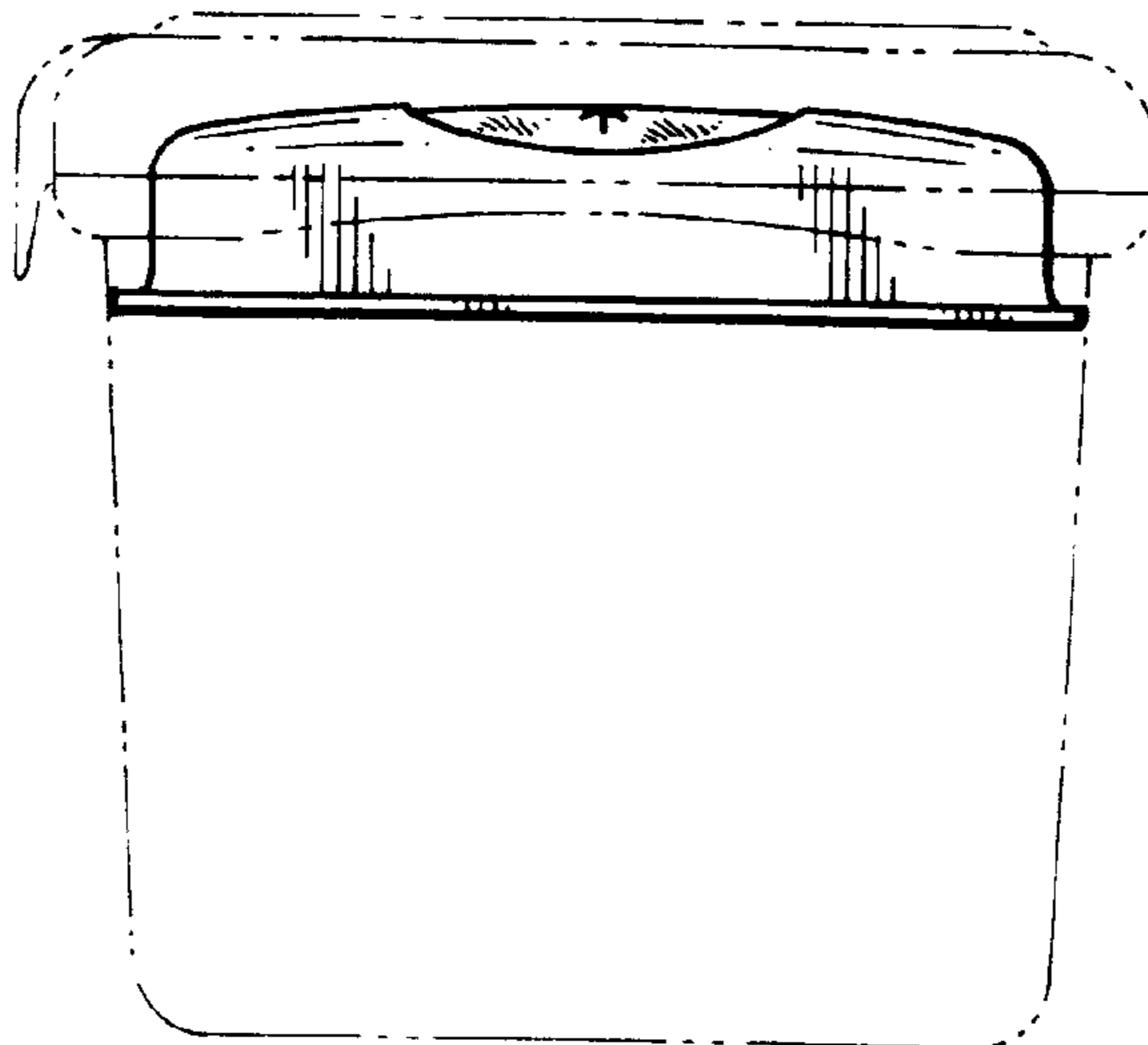


FIG. 5

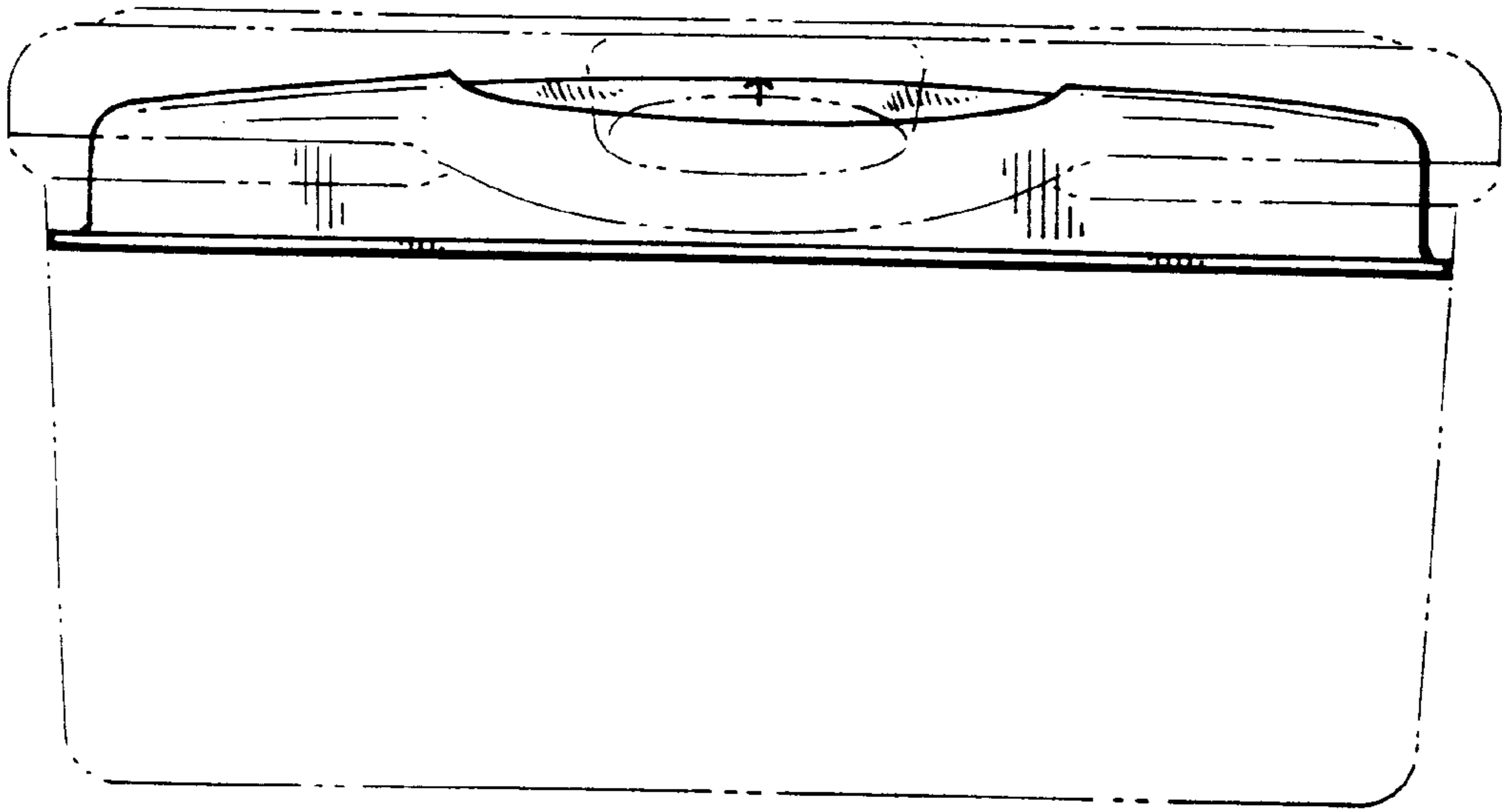


FIG. 6

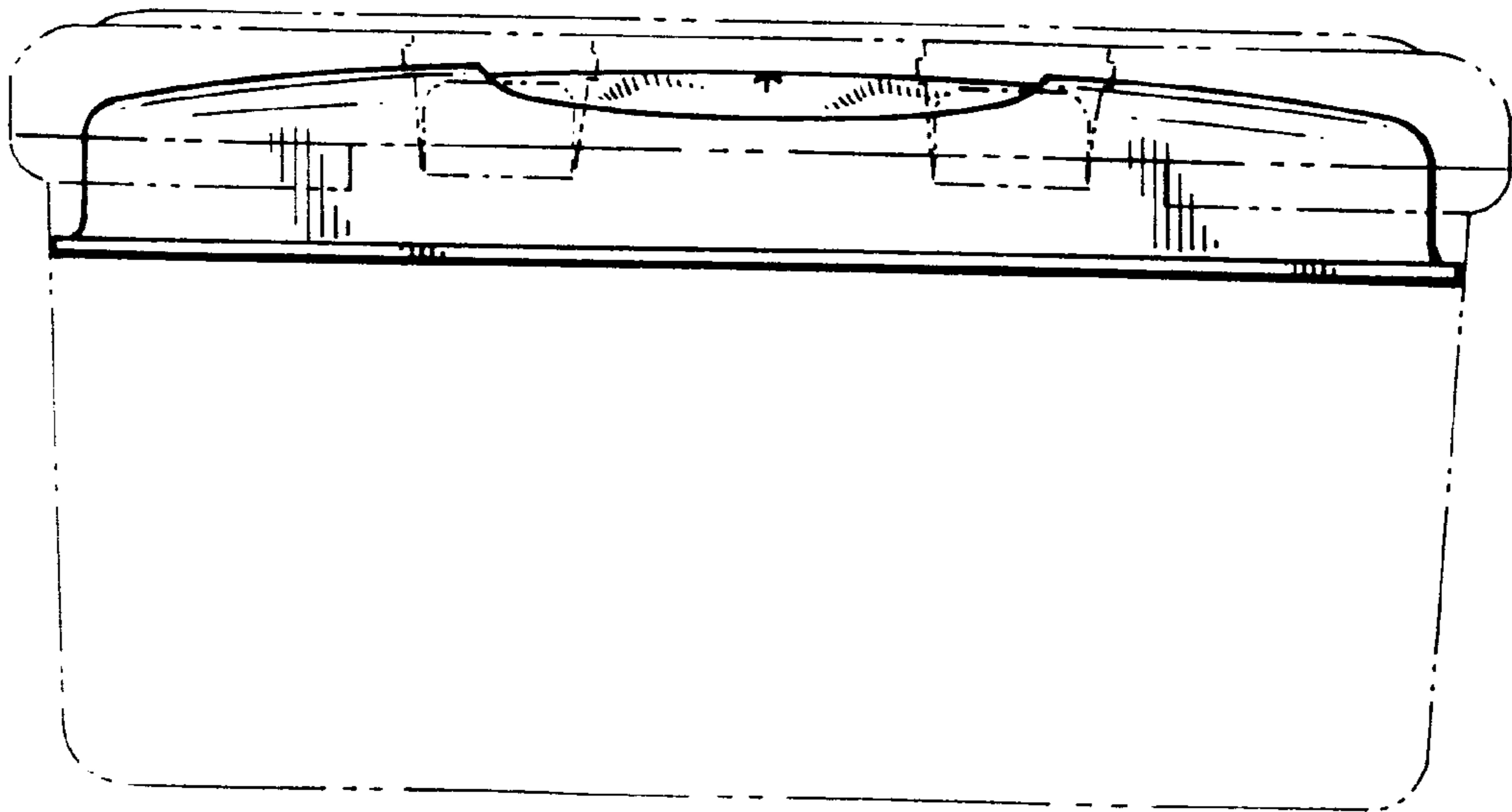


FIG. 7