



US00D449526B2

(12) **United States Design Patent**  
**Lichtman et al.**

(10) **Patent No.:** **US D449,526 S**

(45) **Date of Patent:** **\*\* Oct. 23, 2001**

(54) **BOTTLE PORTION**

(75) Inventors: **Jeff Lichtman**, Chicago, IL (US); **Fred Mittleman**, Tuxedo Park, NY (US); **Sandra Blevins**, Jersey City, NJ (US)

(73) Assignee: **Stokely-Van Camp, Inc.**, Chicago, IL (US)

(\*\*) Term: **14 Years**

(21) Appl. No.: **29/136,681**

(22) Filed: **Feb. 6, 2001**

**Related U.S. Application Data**

(62) Division of application No. 29/102,682, filed on Mar. 26, 1999, now Pat. No. Des. 441,658.

(51) **LOC (7) Cl.** ..... **09-01**

(52) **U.S. Cl.** ..... **D9/434**

(58) **Field of Search** ..... D9/557, 502, 556, D9/552, 565, 434, 537-540; 215/381-384, 370-373

(56) **References Cited**

**U.S. PATENT DOCUMENTS**

D. 109,221 \* 4/1938 Kostellow ..... D9/502  
D. 179,507 \* 6/1957 Barbiers ..... D9/552

D. 183,040 \* 6/1958 Du Pree ..... D9/502  
D. 235,736 \* 7/1975 Strand ..... D9/502  
D. 283,397 \* 4/1986 Monod ..... D9/552  
D. 401,860 \* 12/1998 Mentasti Granelli ..... D9/557  
5,092,476 \* 3/1992 Yasuda et al. .  
5,704,504 \* 1/1998 Bueno ..... 215/382

\* cited by examiner

*Primary Examiner*—Lucy Lieberman

(74) *Attorney, Agent, or Firm*—Lars S. Johnson

(57) **CLAIM**

The ornamental design for a bottle portion, as shown and described.

**DESCRIPTION**

FIG. 1 is a perspective view of a bottle portion showing a new design;

FIG. 2 is a front elevational view of the bottle portion depicted in FIG. 1, the opposite rear elevational view being identical; and,

FIG. 3 is a side elevational view of the bottle portion depicted in FIG. 2, representing a partial rotation of the bottle portion about its vertical center axis from the front elevational view depicted in FIG. 2, the opposite side elevational view being identical.

The broken line environmental showing is for illustrative purposes only and does not form part of the claimed design.

**1 Claim, 2 Drawing Sheets**

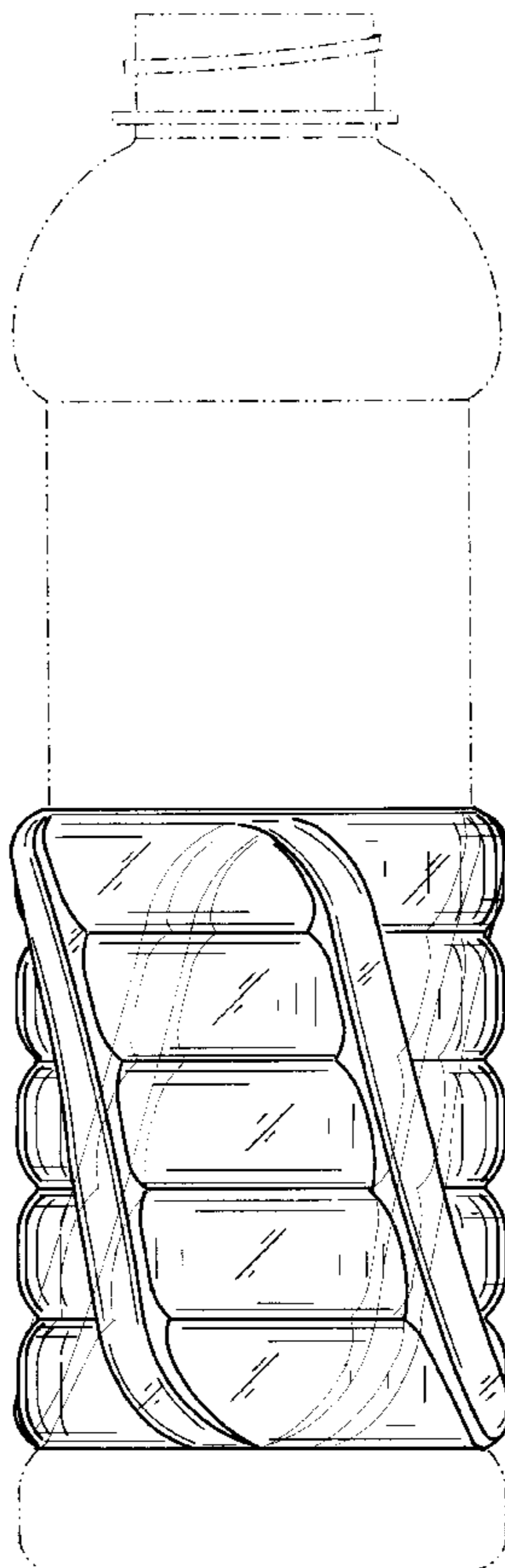


FIG. 1

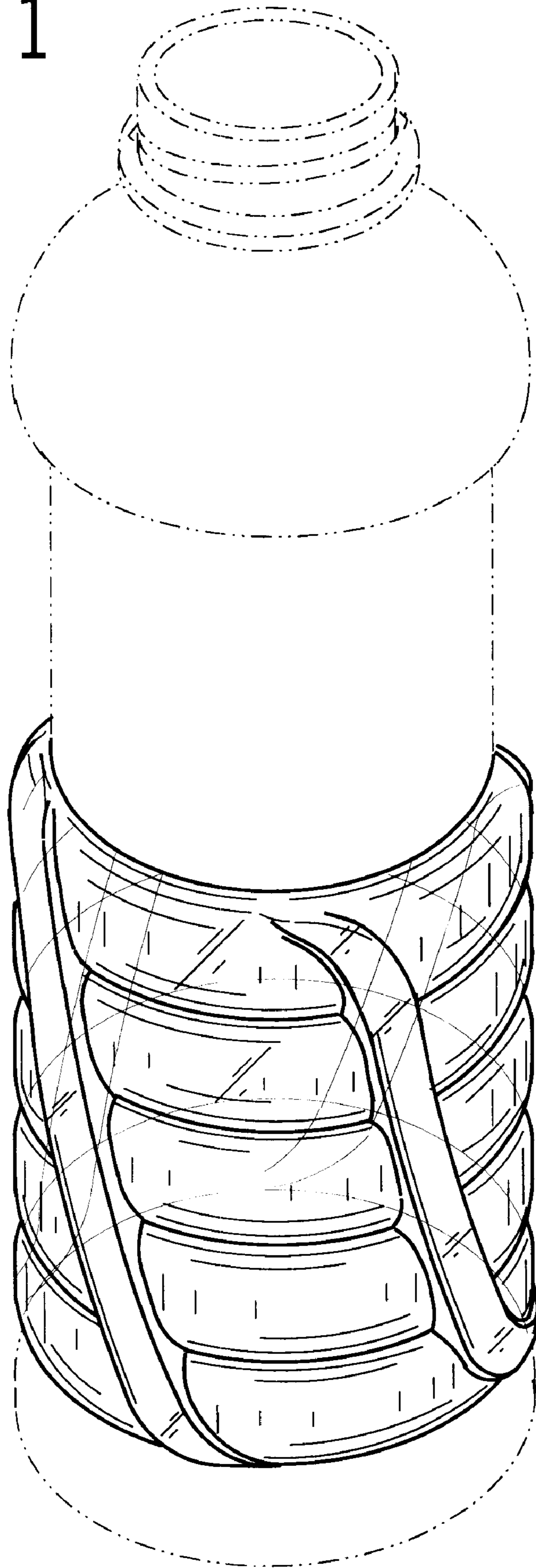


FIG. 2

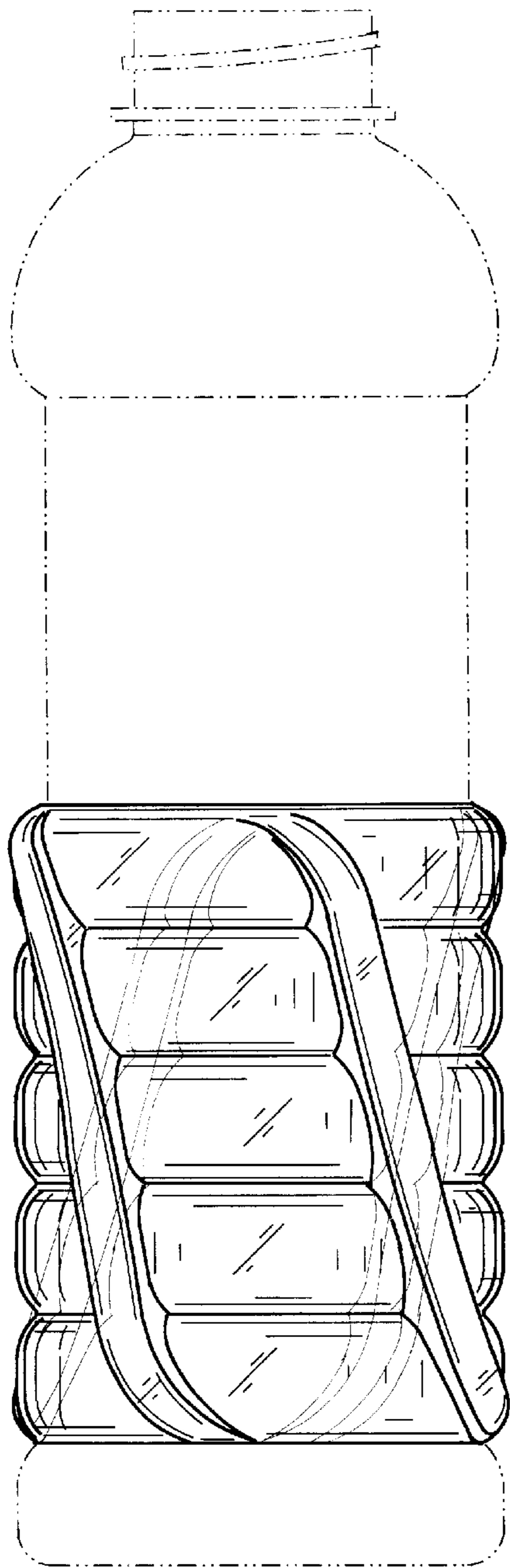


FIG. 3

