



US00D449525B1

(12) **United States Design Patent**  
**Sturgess**

(10) **Patent No.:** **US D449,525 S**

(45) **Date of Patent:** **\*\* Oct. 23, 2001**

(54) **CONTAINER**

(76) Inventor: **Elaine Sturgess**, The Old Sweet Shop,  
Netting Street, Hook Norton (GB),  
OX15 5NP

(\*\*) Term: **14 Years**

(21) Appl. No.: **29/124,354**

(22) Filed: **Jun. 2, 2000**

(30) **Foreign Application Priority Data**

Dec. 3, 1999 (GB) ..... 2088553

(51) **LOC (7) Cl.** ..... **09-03**

(52) **U.S. Cl.** ..... **D9/432**

(58) **Field of Search** ..... D9/430-433; 229/120.21,  
229/120.24

(56) **References Cited**

**U.S. PATENT DOCUMENTS**

D. 415,419 \* 10/1999 Abitebohl ..... D9/432  
D. 425,791 \* 5/2000 Brozzi ..... D9/432

1,838,000 \* 12/1931 Rumsey, Jr. .... 229/120.24  
5,772,110 \* 6/1998 Garretson ..... 229/120.21  
6,059,180 \* 5/2000 Collins ..... 229/120.21

\* cited by examiner

*Primary Examiner*—Raphael Barkai

(74) *Attorney, Agent, or Firm*—Flanagan & Flanagan; John  
R. Flanagan; John K. Flanagan

(57) **CLAIM**

The ornamental design for container, as shown and  
described.

**DESCRIPTION**

FIG. 1 is a perspective view of a container showing my new  
design;

FIG. 2 is a perspective view thereof, partly open;

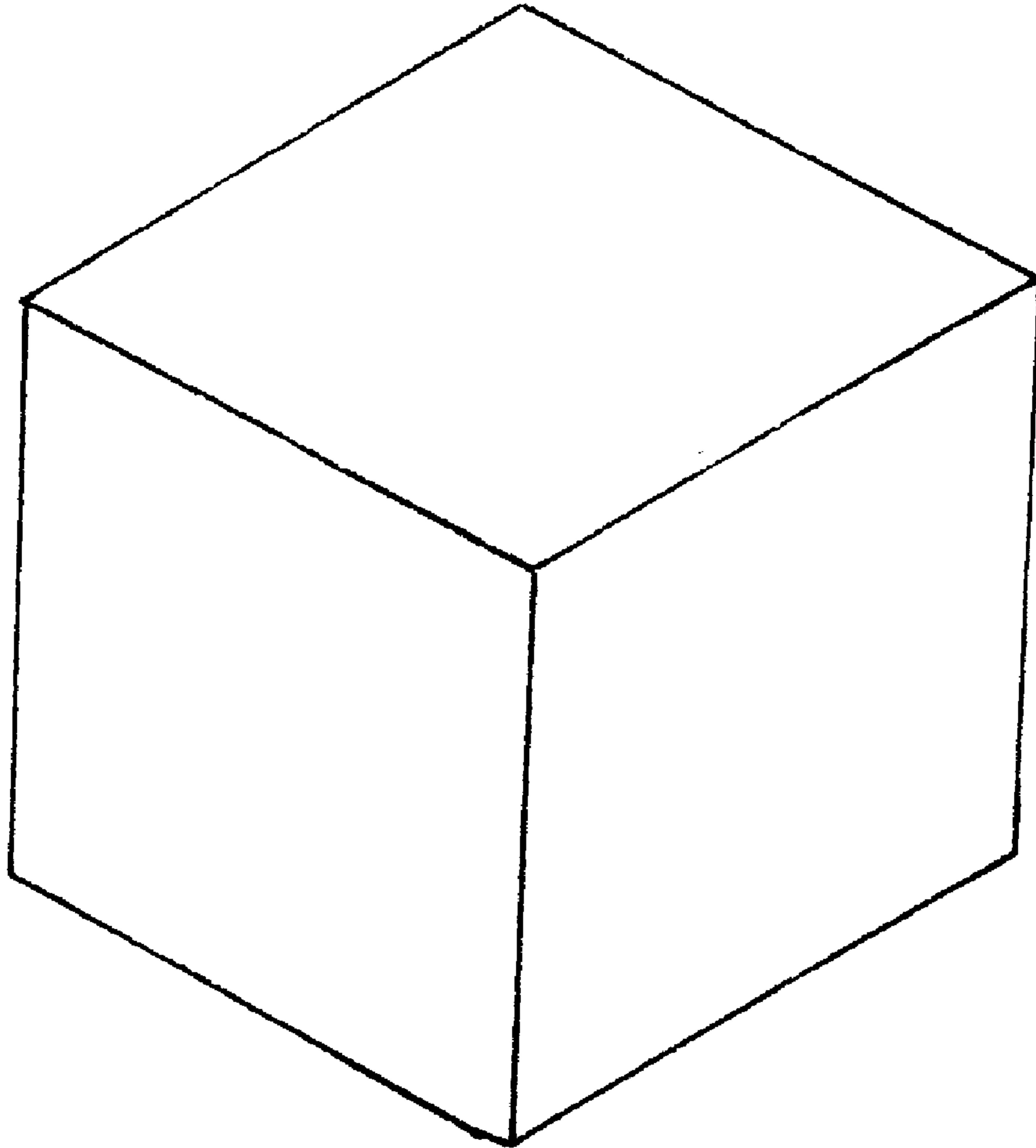
FIG. 3 is a perspective view thereof, fully open;

FIG. 4 is a perspective view, partly open, of a modified  
embodiment of the design shown in FIGS. 1-3;

FIG. 5 is a perspective view thereof, partly open; and,

FIG. 6 is a perspective view thereof, fully open.

**1 Claim, 3 Drawing Sheets**



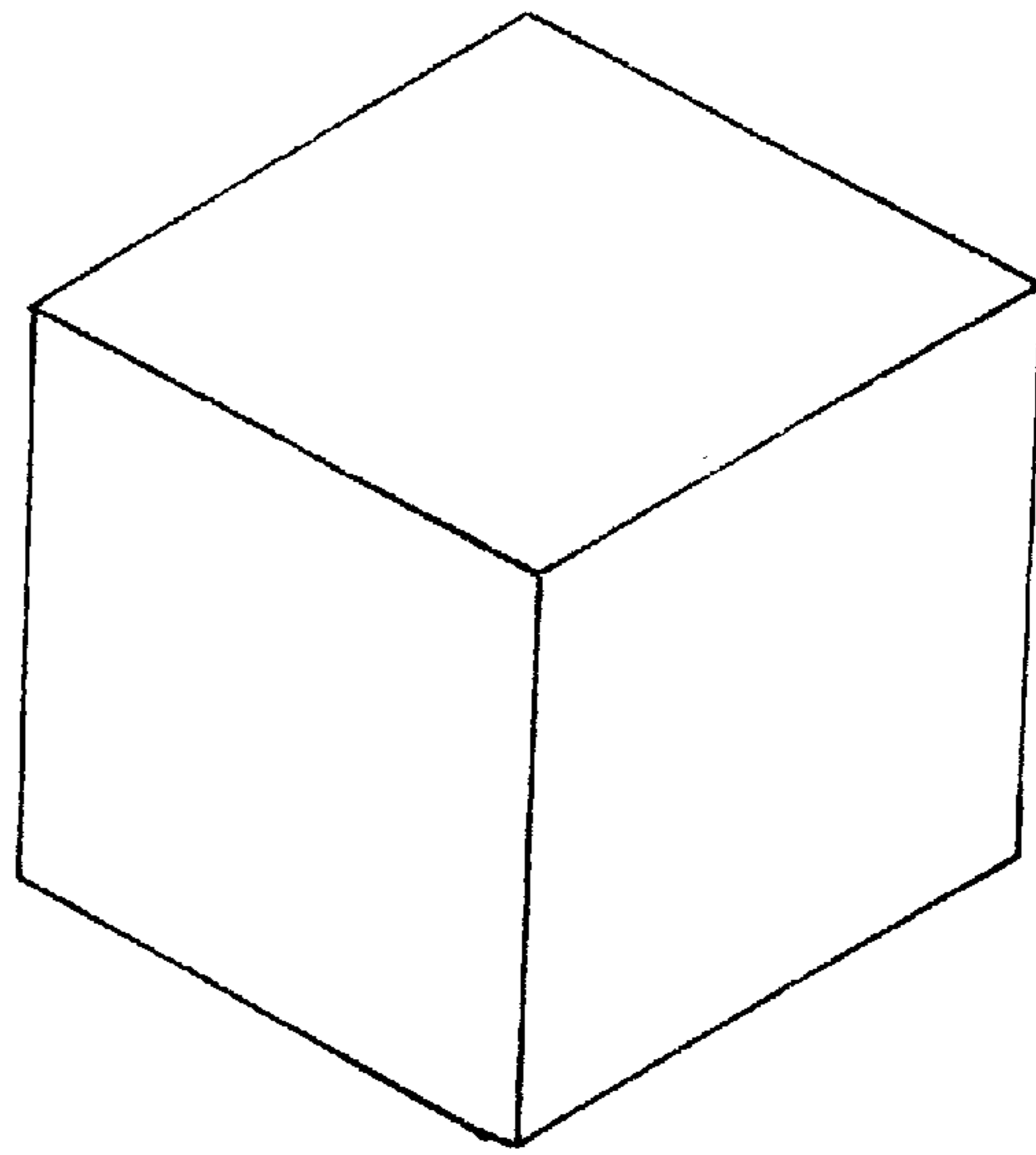


FIG. 1

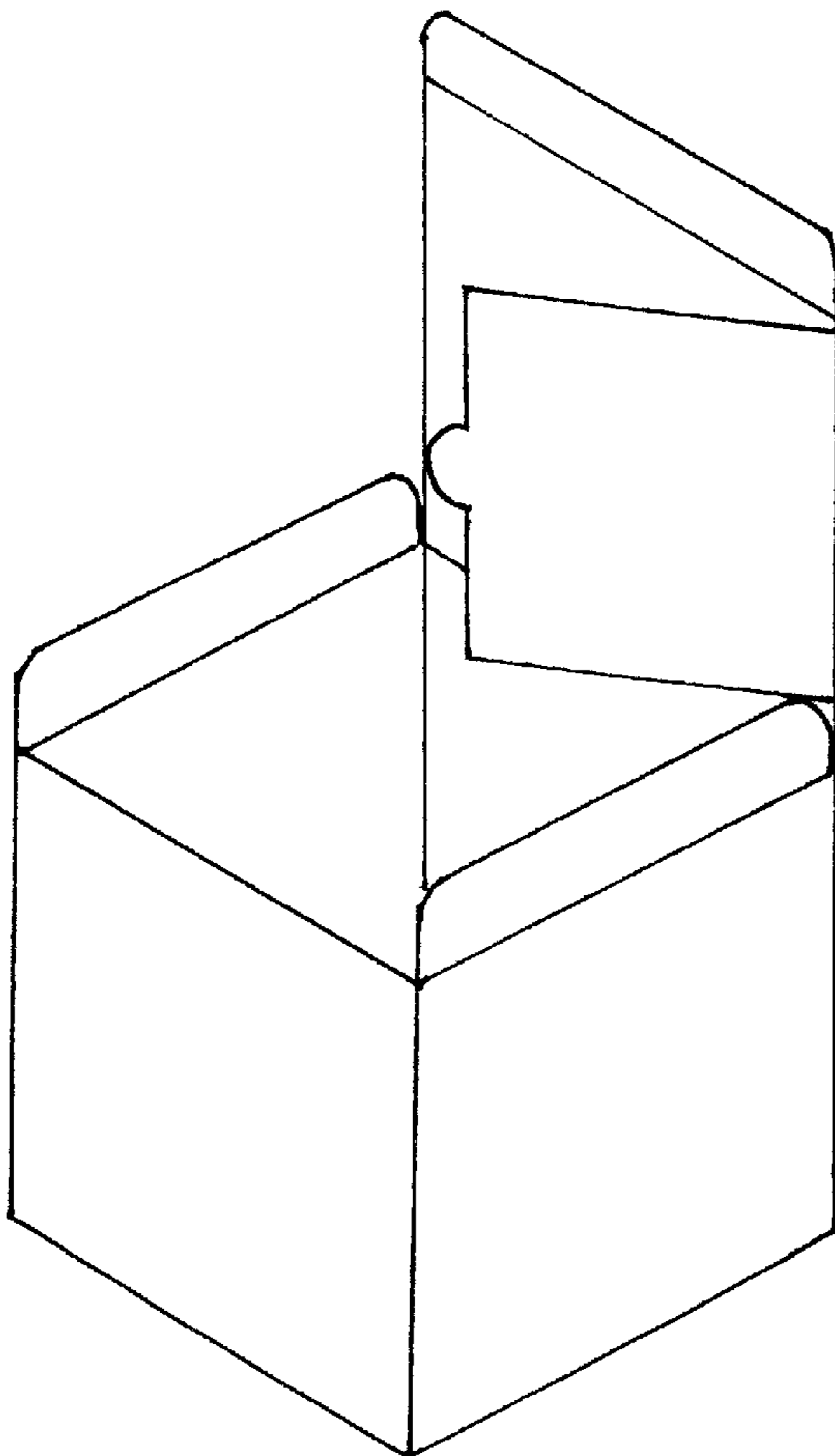


FIG. 2

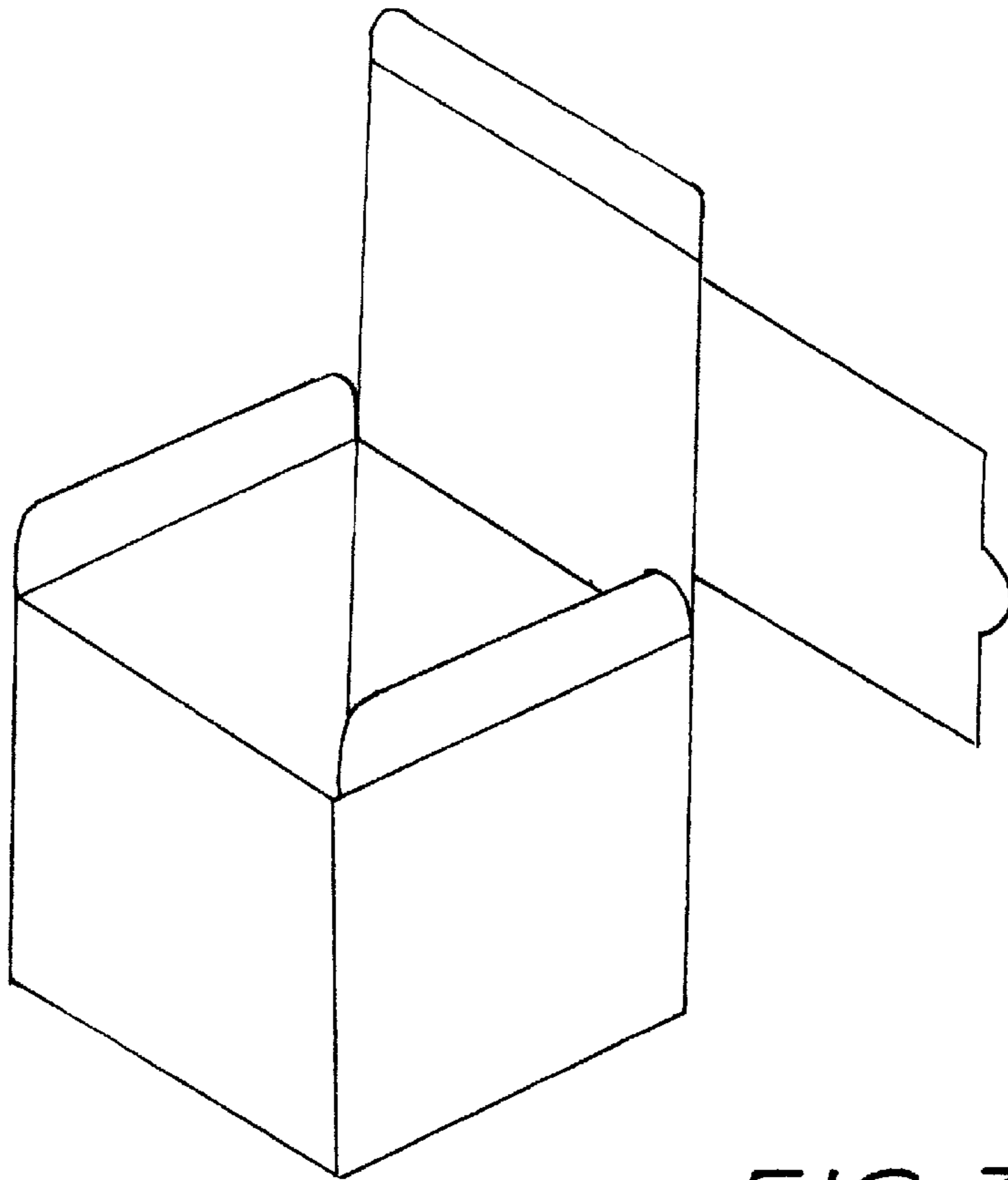


FIG. 3

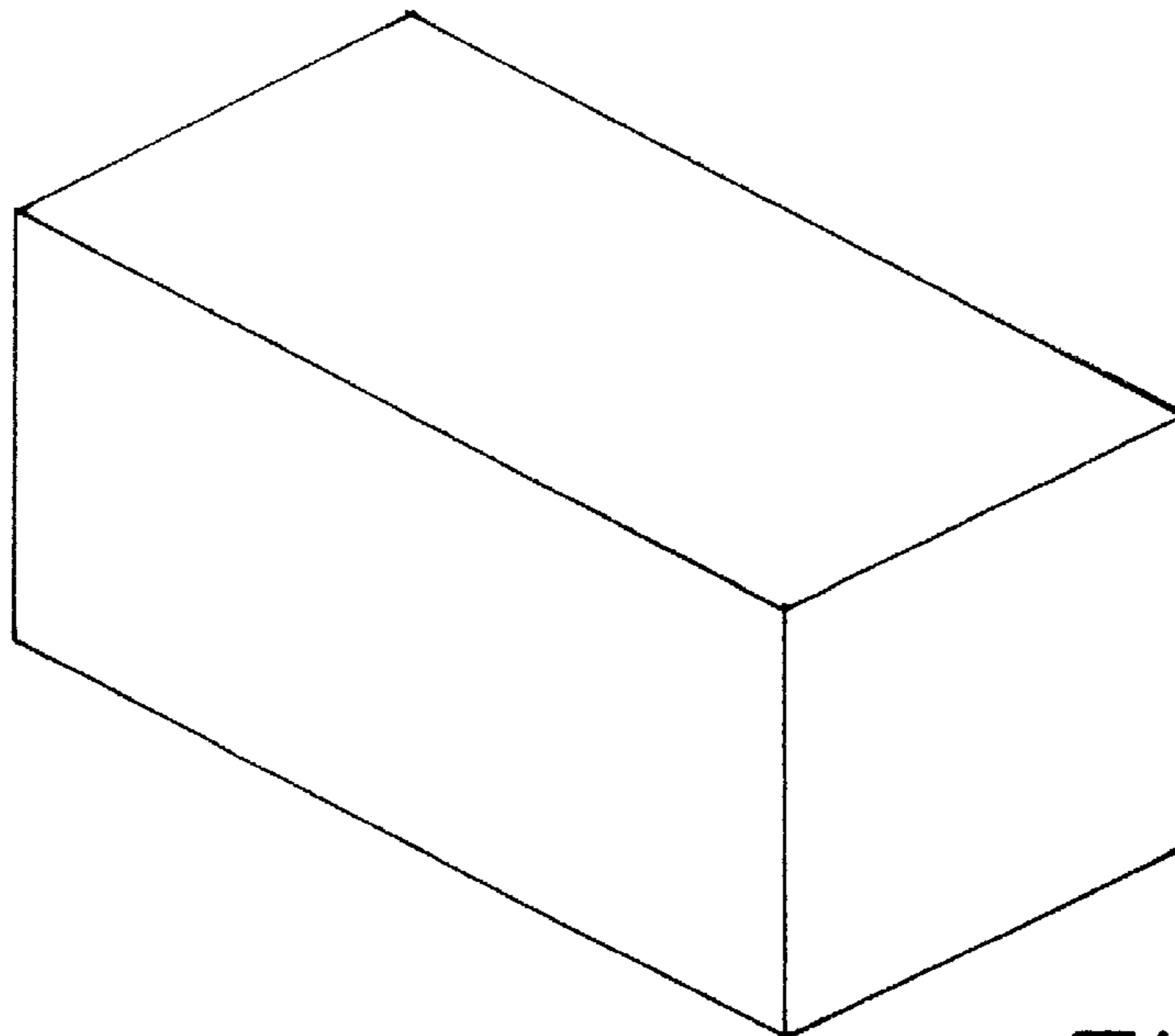


FIG. 4

FIG. 5

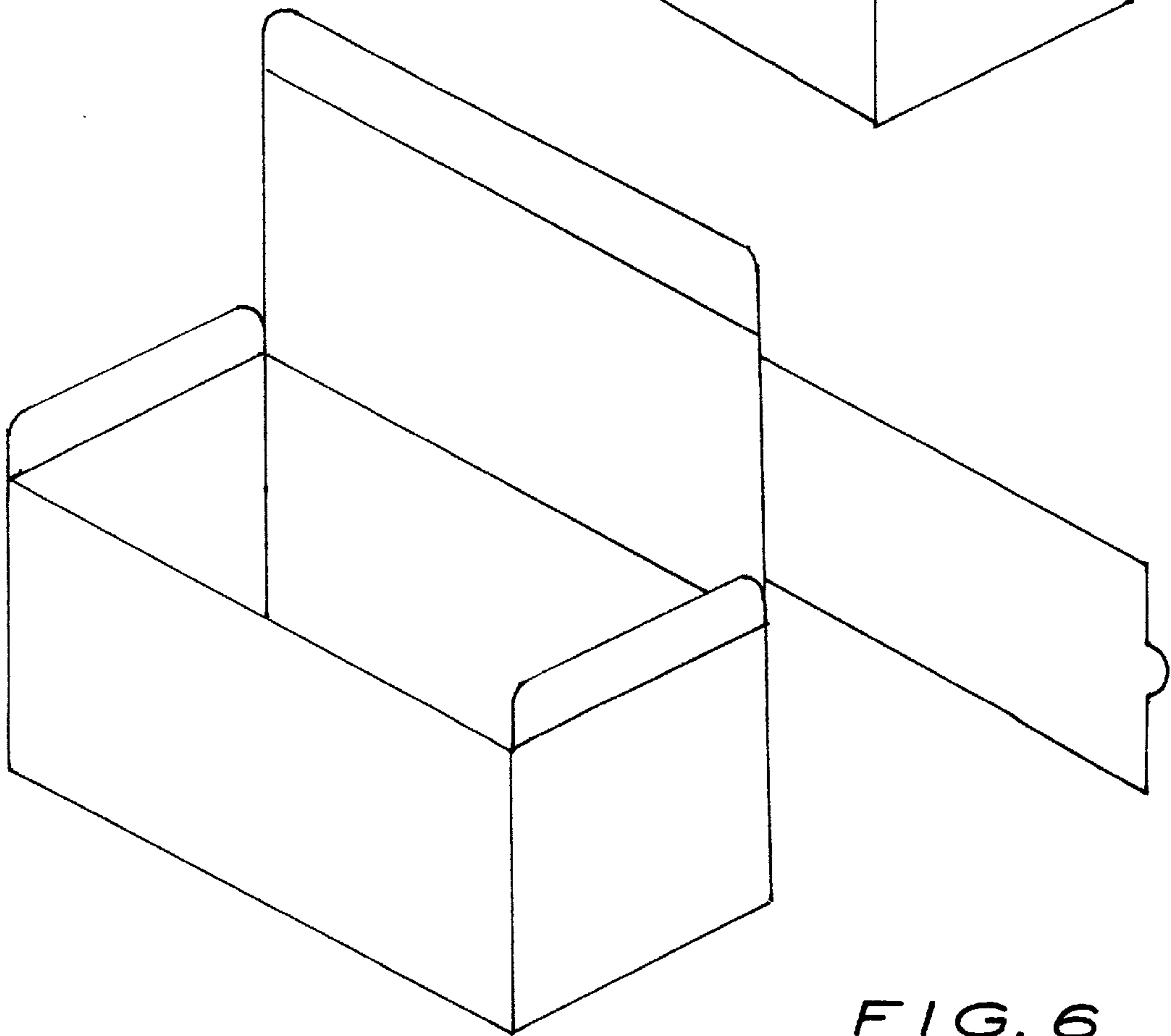
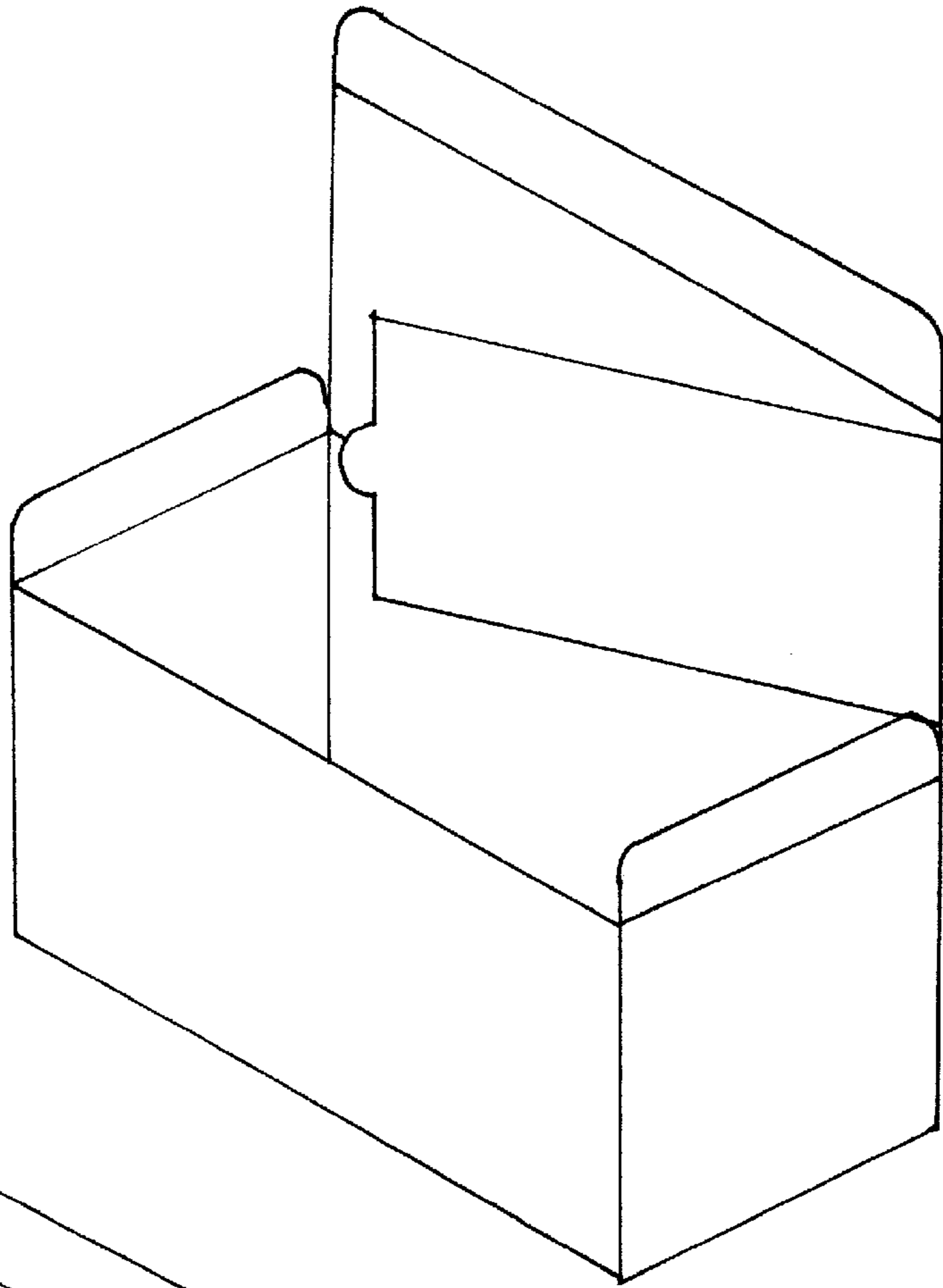


FIG. 6