



US00D449523B1

(12) **United States Design Patent**
Kaplan

(10) **Patent No.:** **US D449,523 S**

(45) **Date of Patent:** **** Oct. 23, 2001**

(54) **DISPLAY PACKAGE**

(75) Inventor: **Michael J. Kaplan**, Brooklyn, NY (US)

(73) Assignee: **Unlimited Holdings, Inc.**, New York, NY (US)

(**) Term: **14 Years**

(21) Appl. No.: **29/114,308**

(22) Filed: **Nov. 19, 1999**

(51) **LOC (7) Cl.** **09-03**

(52) **U.S. Cl.** **D9/428**

(58) **Field of Search** D9/307, 331, 414,
D9/418, 424, 428, 430, 504; D28/77, 78,
82, 91; 206/6.1, 581, 457, 769, 823; 220/376,
377, 675; 229/164.1

(56) **References Cited**

U.S. PATENT DOCUMENTS

D. 28,413	*	1/1898	Taite	D9/504
D. 120,167	*	4/1940	Deskey	D9/504
D. 303,584	*	9/1989	Bakic	D9/504
D. 350,837	*	9/1994	Kirby	D28/82
D. 409,086	*	5/1999	Brown et al.	D9/428
D. 416,796	*	11/1999	Smith	D9/428
3,265,238	*	8/1966	Bernhardt et al.	D9/504 X
3,624,939	*	12/1971	Gossard	D9/307 X
4,545,479	*	10/1985	Figari	206/5.1

* cited by examiner

Primary Examiner—Terry A. Wallace

(74) *Attorney, Agent, or Firm*—Amster, Rothstein & Ebenstein

(57) **CLAIM**

The ornamental design for a display package, as shown and described.

DESCRIPTION

FIG. 1 is a prospective view of the display package showing my new design;

FIG. 2 is a side elevational view thereof, the front, back and other side being substantially the same;

FIG. 3 is a bottom plan view thereof;

FIG. 4 is a top plan view of a first embodiment thereof;

FIG. 5 is a top plan view of a second alternative embodiment thereof;

FIG. 6 is a top plan view of a third alternative embodiment thereof;

FIG. 7 is a top plan view of a fourth alternative embodiment thereof;

FIG. 8 is a top plan view of a fifth alternative embodiment thereof; and,

FIG. 9 is a top plan view of a sixth alternative embodiment thereof.

The top surface of the display package is transparent and the bottom opaque.

The broken lines are for illustrative purposes only and form no part of the claimed design.

1 Claim, 3 Drawing Sheets

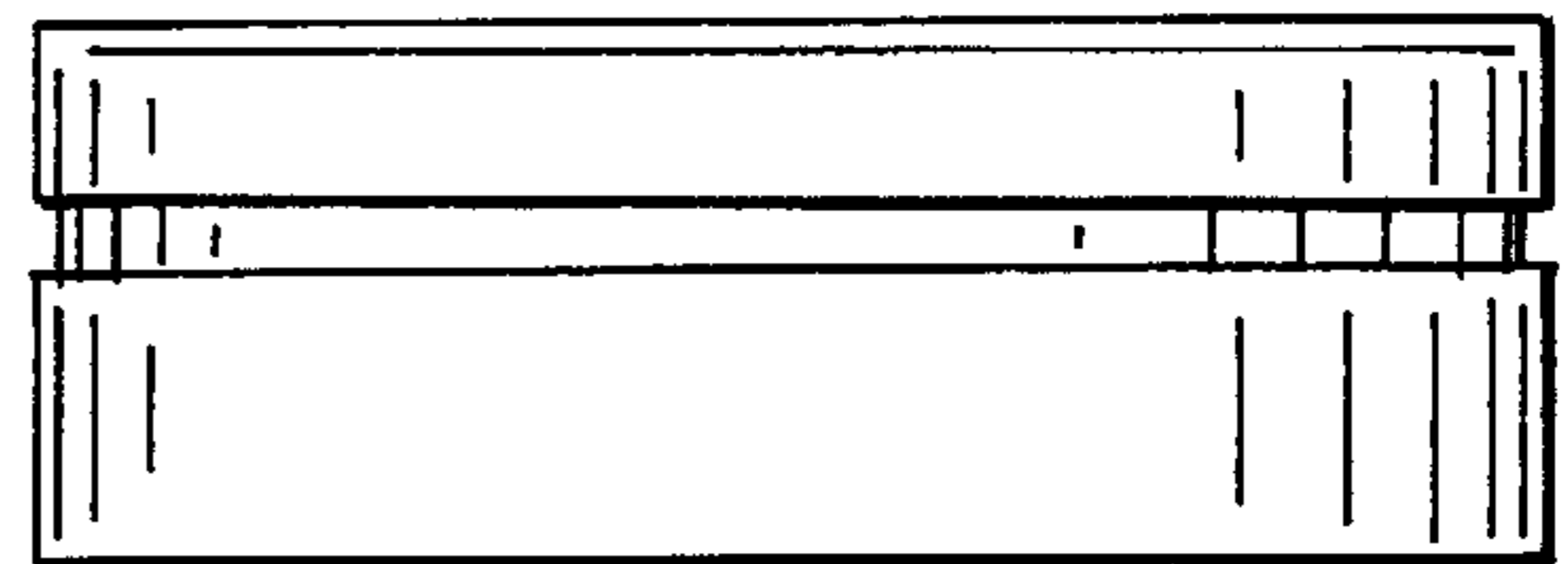
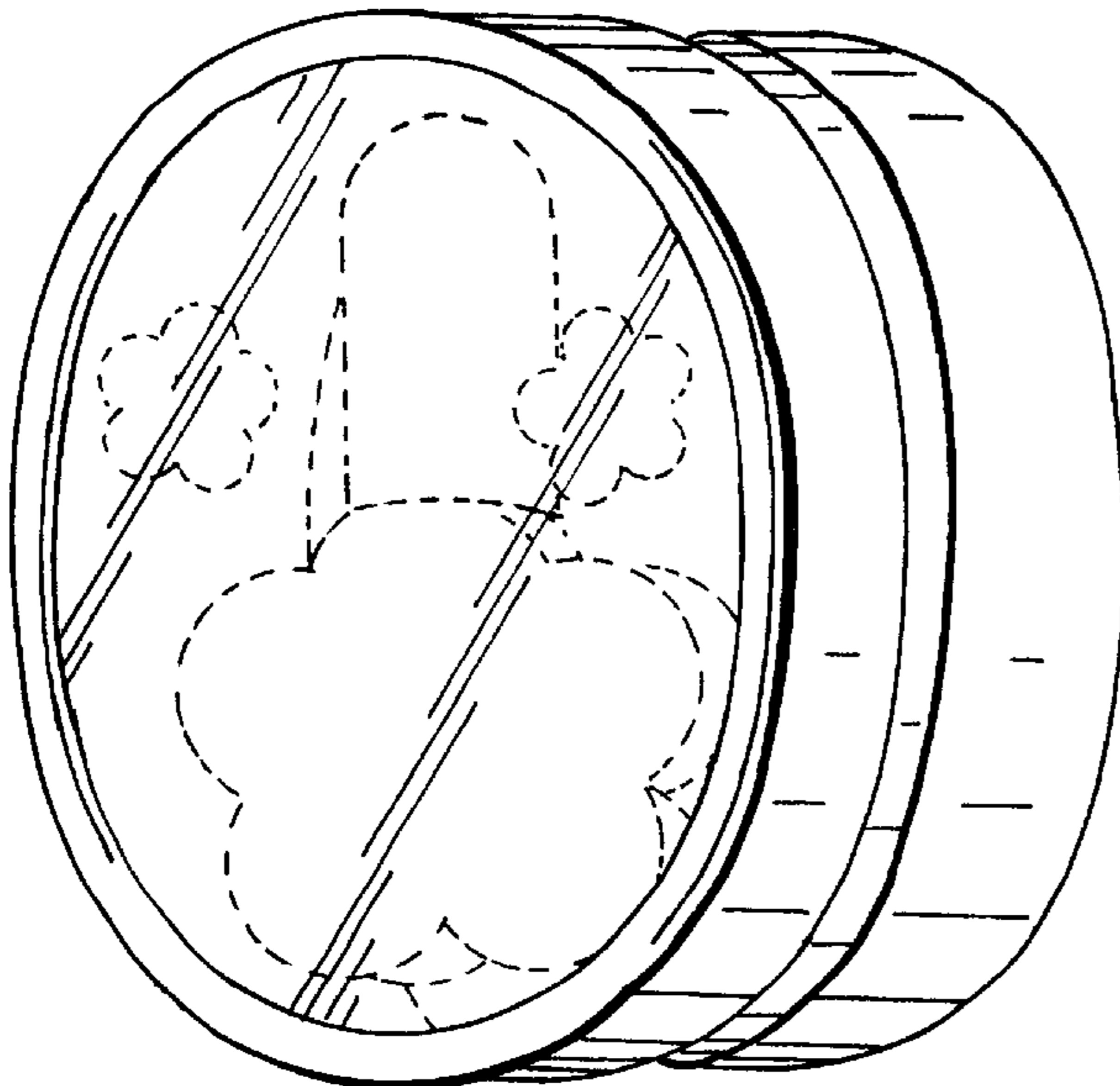


FIG. 1

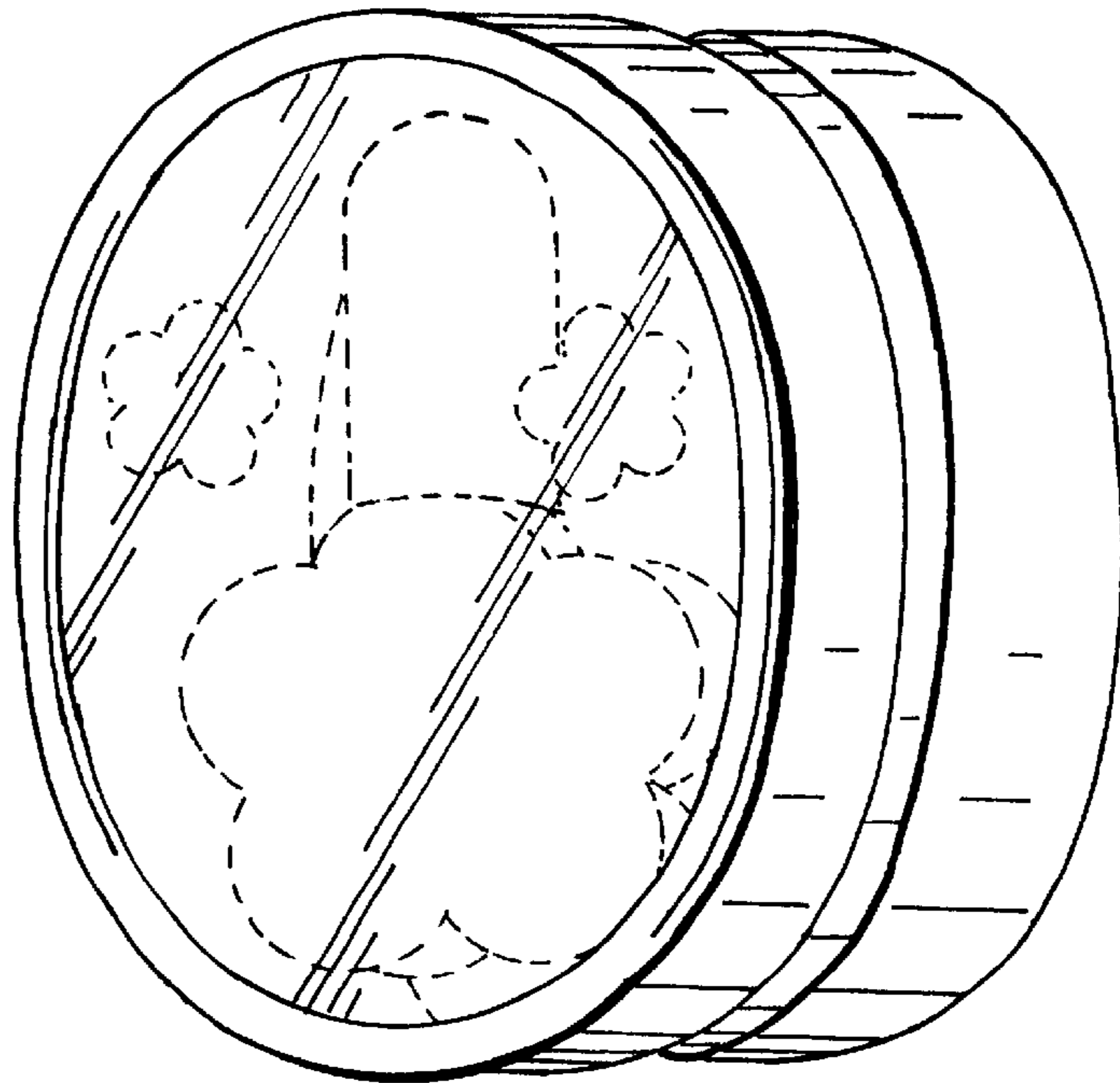


FIG. 2

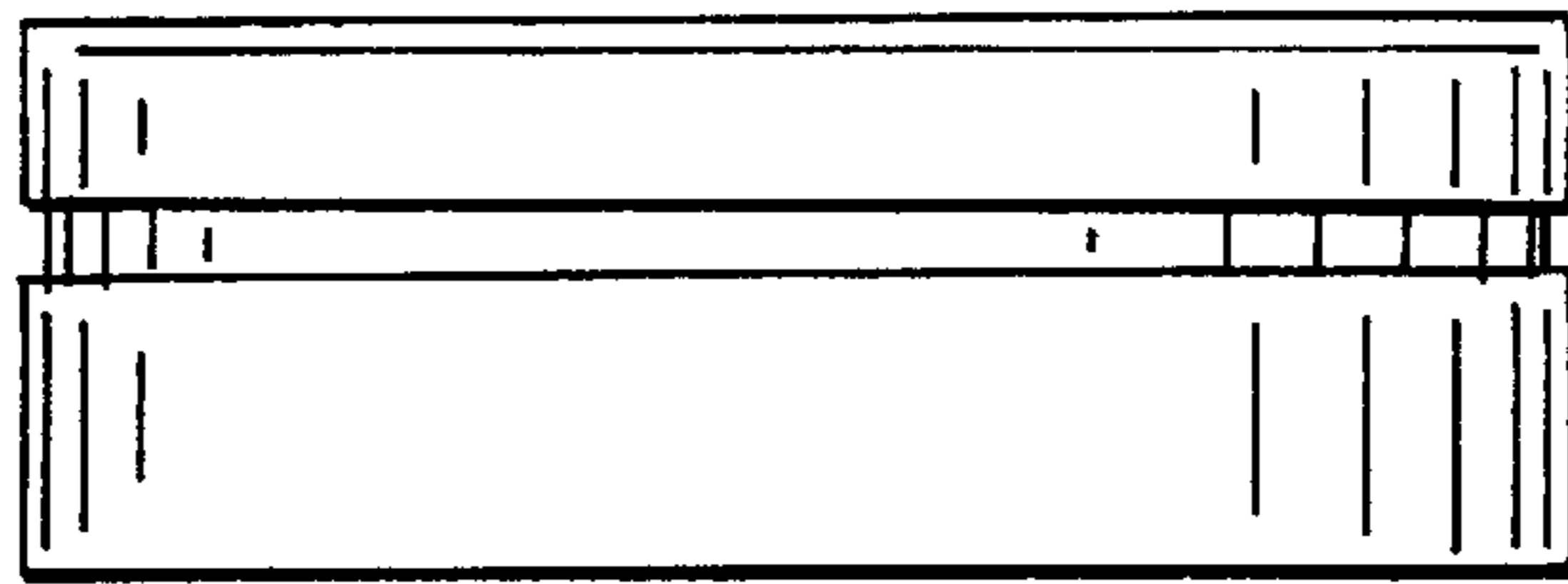
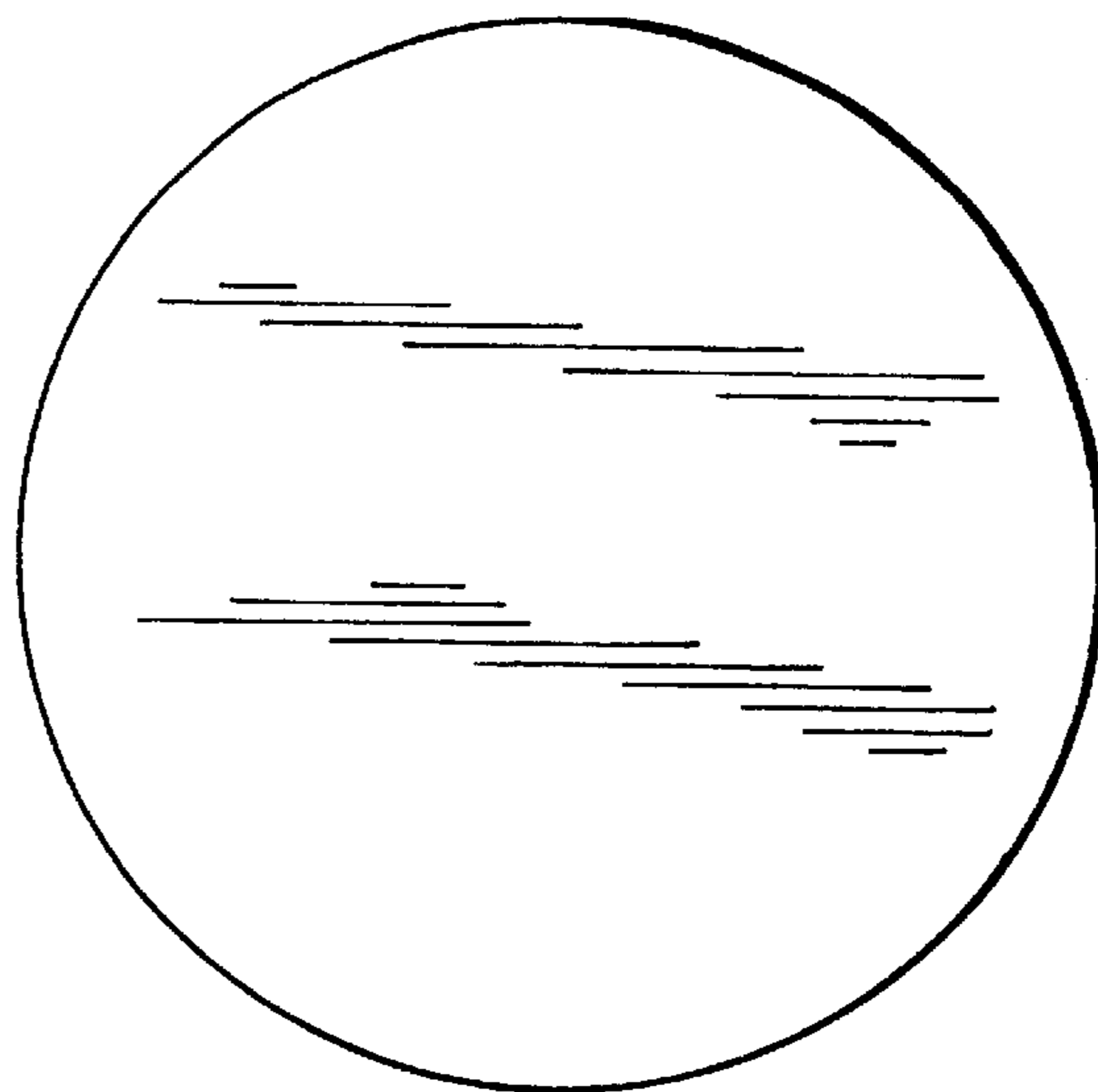


FIG. 3



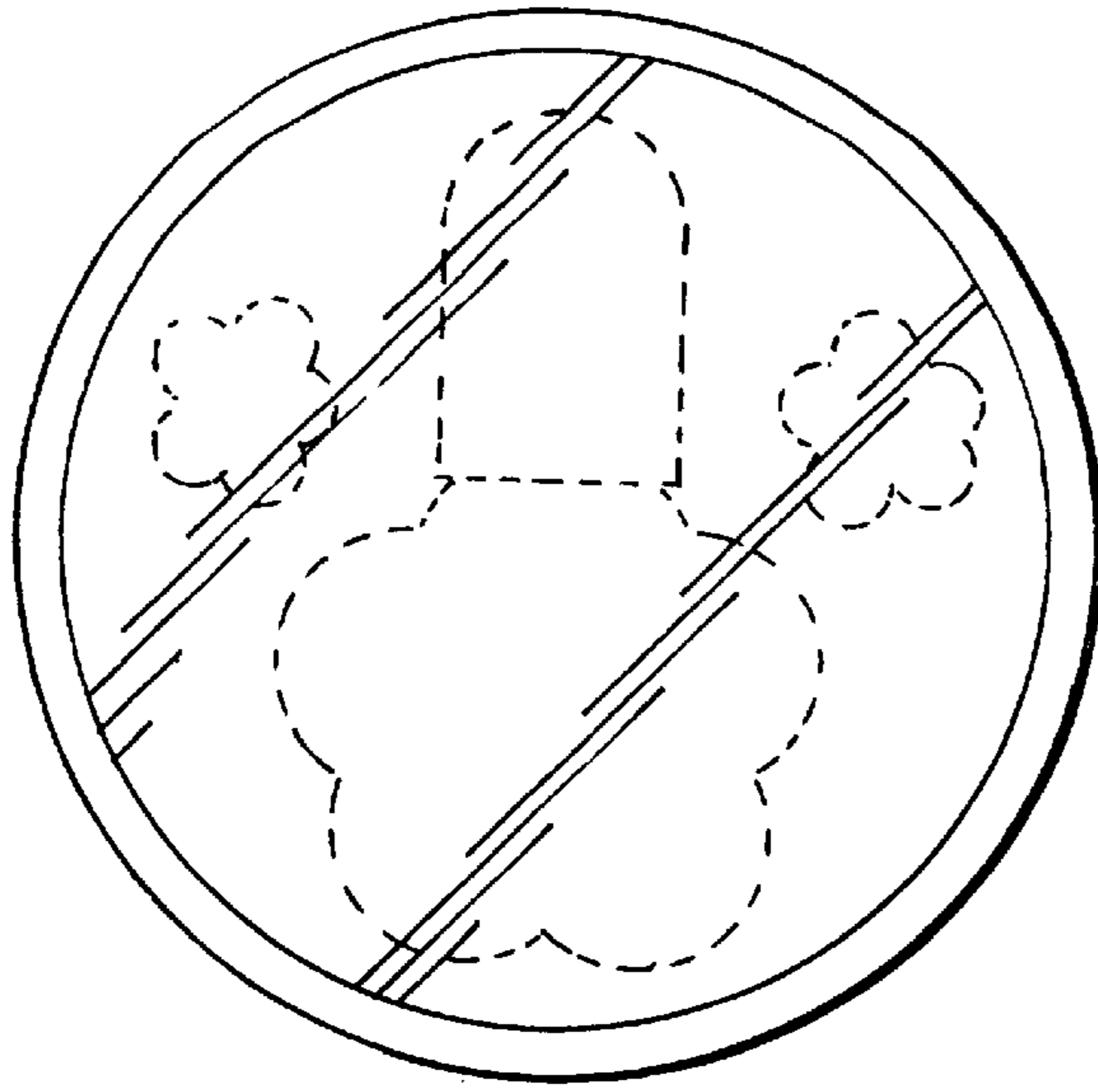


FIG. 4

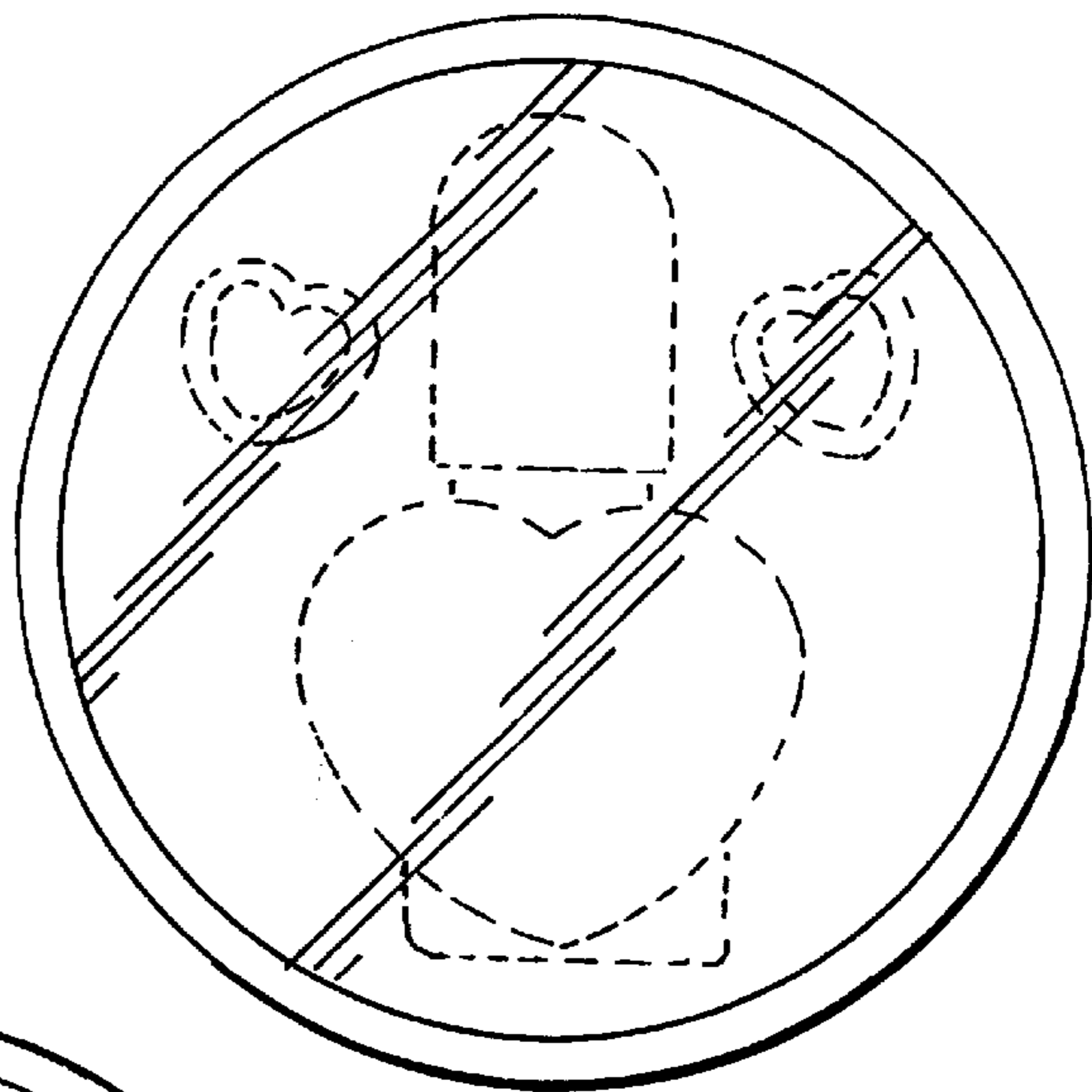


FIG. 5

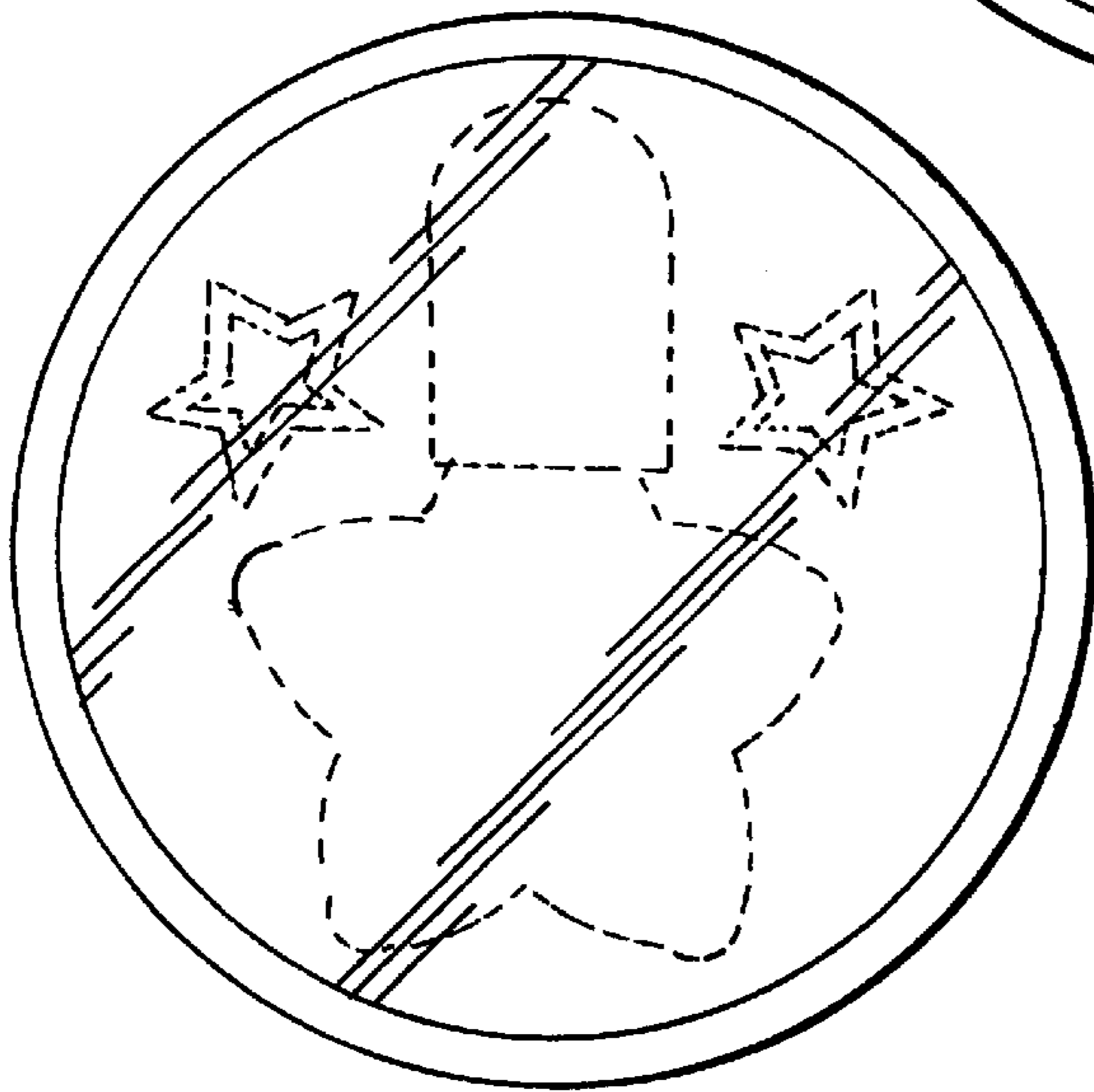


FIG. 6

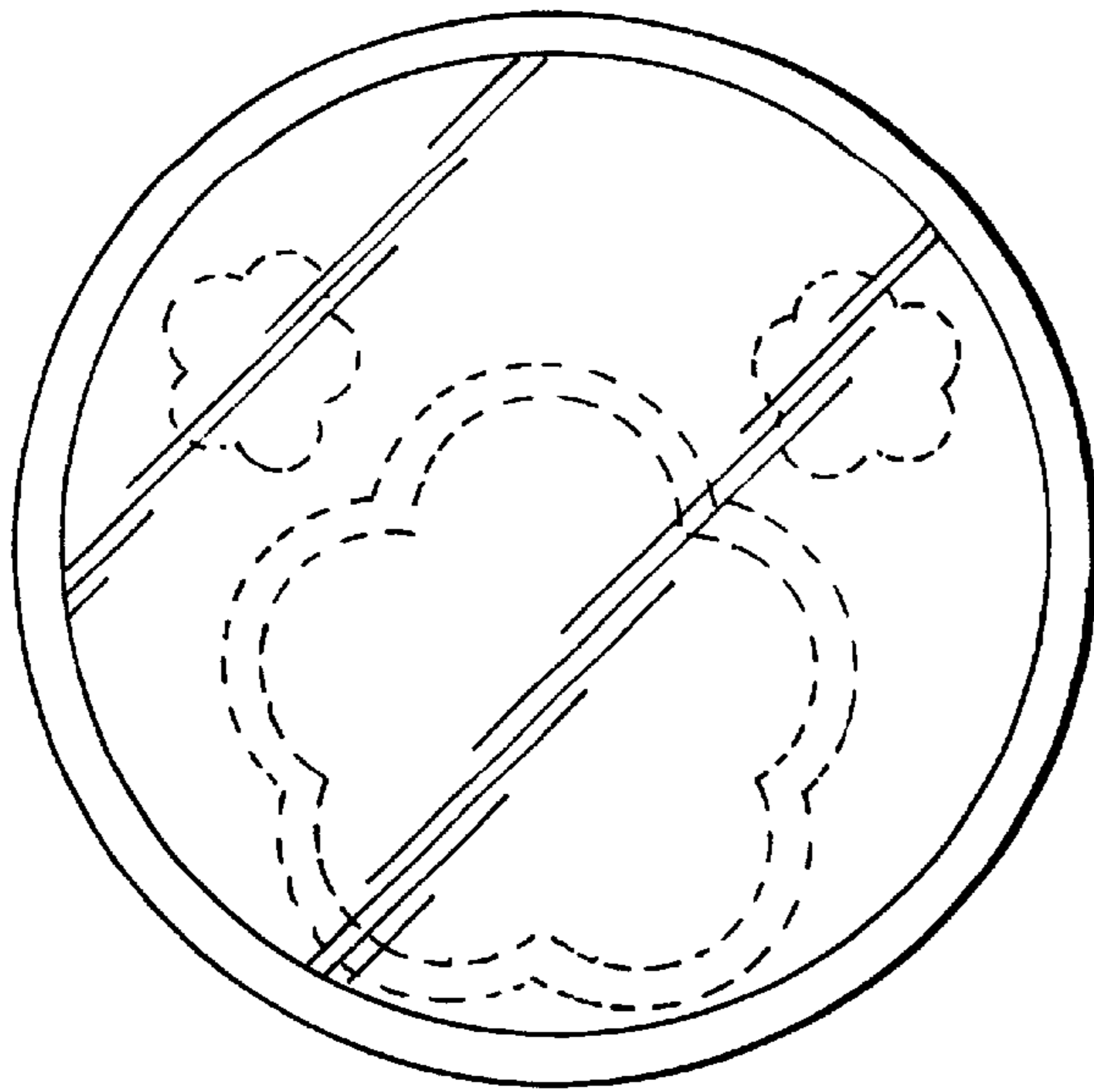


FIG. 7

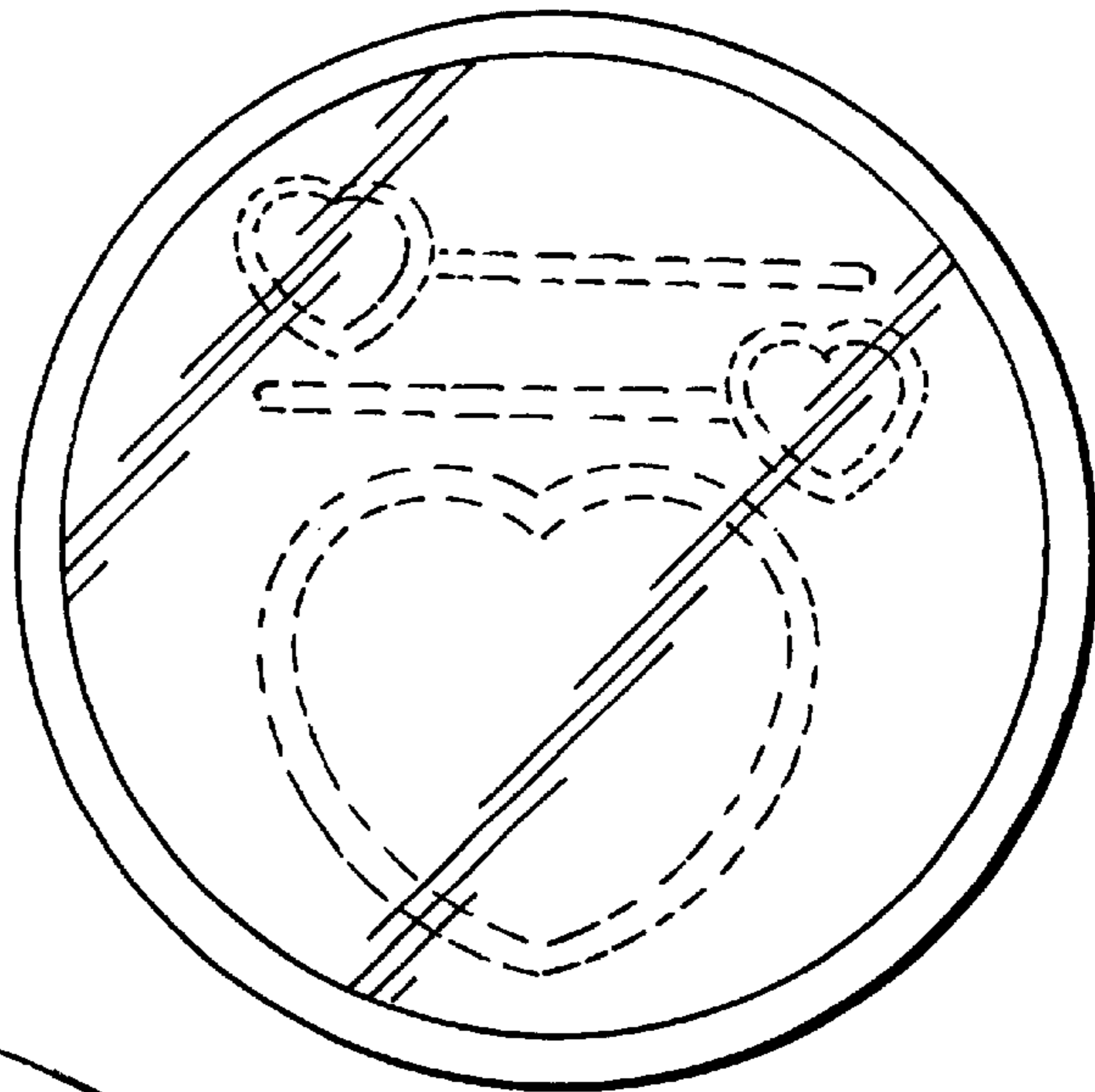


FIG. 8

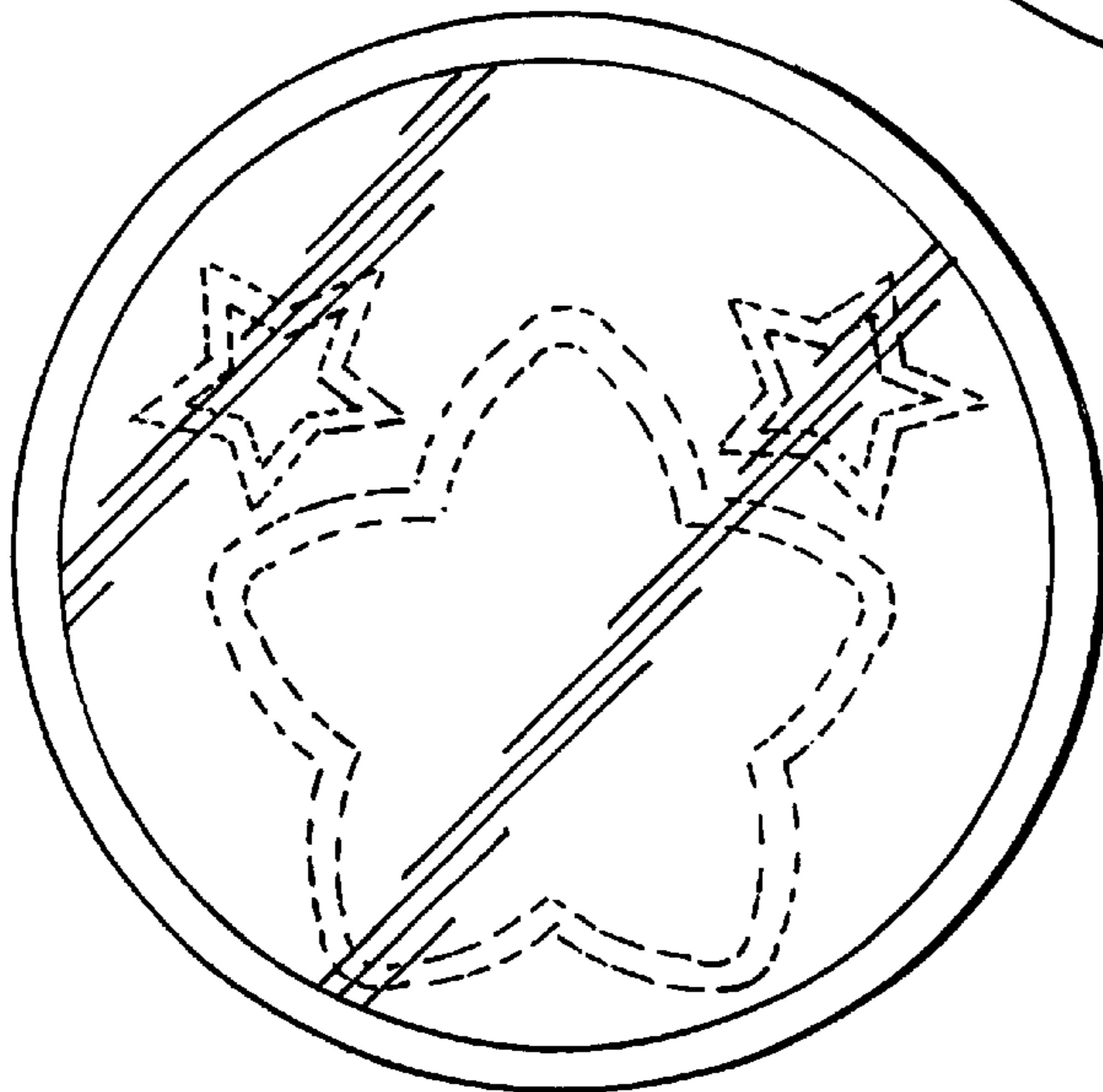


FIG. 9