



US00D449521B1

(12) **United States Design Patent**
Pinkus et al.

(10) **Patent No.:** **US D449,521 S**

(45) **Date of Patent:** **** Oct. 23, 2001**

(54) **CONTAINER**

5,129,513 * 7/1992 David et al. 206/264
5,823,331 * 10/1998 Manservigi et al. 206/266

(76) Inventors: **Kendra Pinkus; Steven Blaess**, both of
4 Albert Street, Brighton Beach,
Victoria, 3186 (AU)

* cited by examiner

(**) Term: **14 Years**

Primary Examiner—Prabhakar Deshmukh
(74) *Attorney, Agent, or Firm*—Sughrue, Mion, Zinn,
Macpeak & Seas, PLLC

(21) Appl. No.: **29/116,836**

(57) **CLAIM**

(22) Filed: **Jan. 12, 2000**

The ornamental design for a container, as shown and described.

(51) **LOC (7) Cl.** **09-03**

(52) **U.S. Cl.** **D9/424; D9/423**

(58) **Field of Search** D9/120–125, 430,
D9/428, 337, 529, 519; 206/259, 261, 265,
266, 268, 271, 273; D27/183, 186, 189,
191; 229/160.1, 87.12, 406, 4.5; D28/73,
78, 82; 220/376, 797, 798, 796

DESCRIPTION

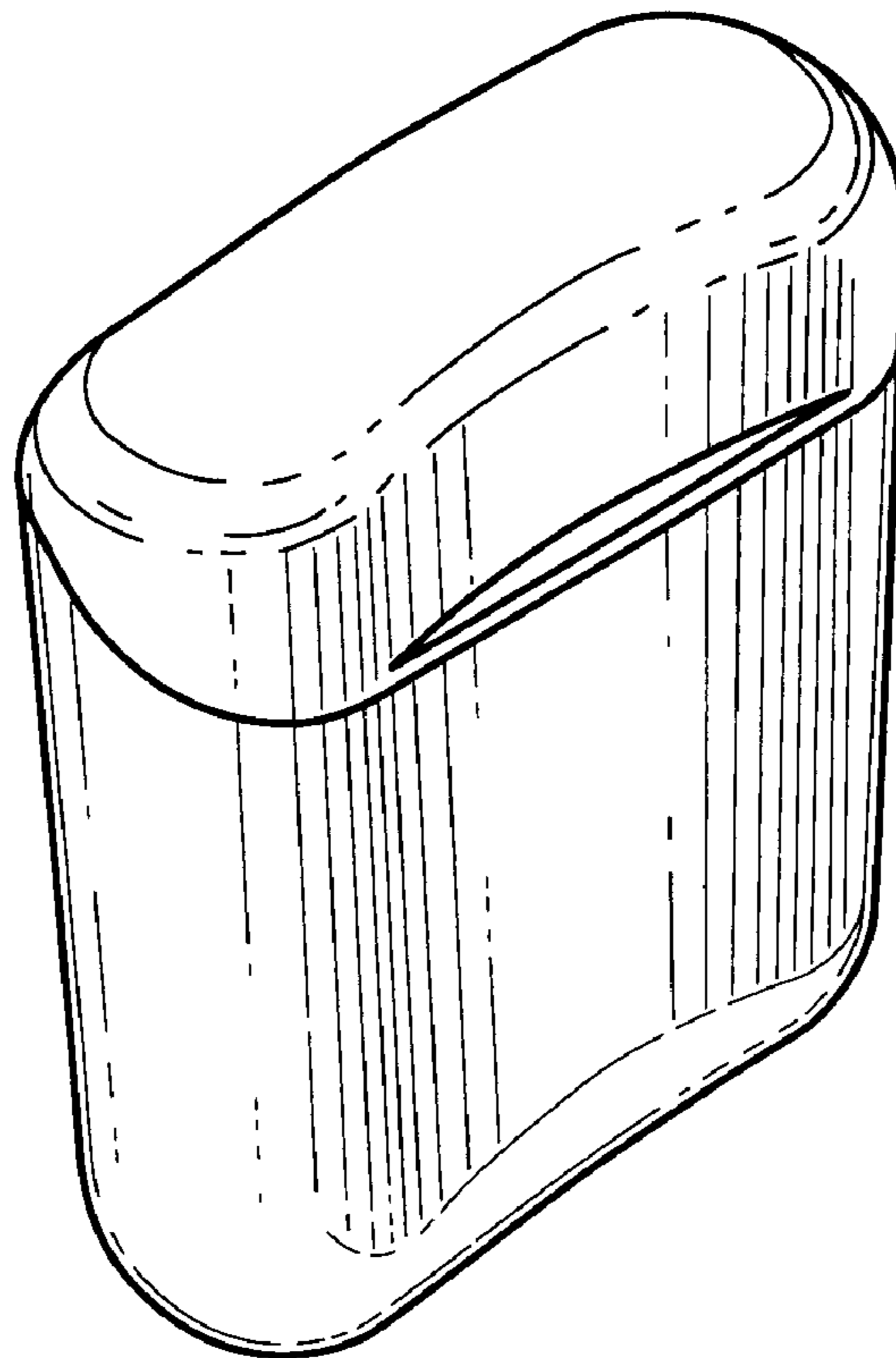
FIG. 1 is a perspective view of the top, front and left side of a container showing our new design;
FIG. 2 is a front elevational view thereof;
FIG. 3 is a rear elevational view thereof;
FIG. 4 is a right side elevational view thereof;
FIG. 5 is a left side elevational view thereof;
FIG. 6 is a top plan view thereof;
FIG. 7 is a bottom plan view thereof;
FIG. 8 is a sectional view thereof; taken along line 8—8 of FIG. 2.
FIG. 9 is a sectional view thereof; taken along line 9—9 of FIG. 2; and,
FIG. 10 is a perspective view similar to FIG. 1 with the lid partially raised.

(56) **References Cited**

U.S. PATENT DOCUMENTS

- D. 53,386 * 5/1919 Thomas D27/189
- D. 322,687 * 12/1991 Tschudin D27/189
- D. 325,164 * 4/1992 Cann et al. D9/529
- D. 341,315 * 11/1993 Seymour D9/424
- 1,830,583 * 11/1931 Woller 206/265
- 2,522,952 * 9/1950 Krohn 206/270
- 4,923,059 * 5/1990 Evers et al. 206/265
- 5,044,550 * 9/1991 Lamm 229/160.1

1 Claim, 3 Drawing Sheets



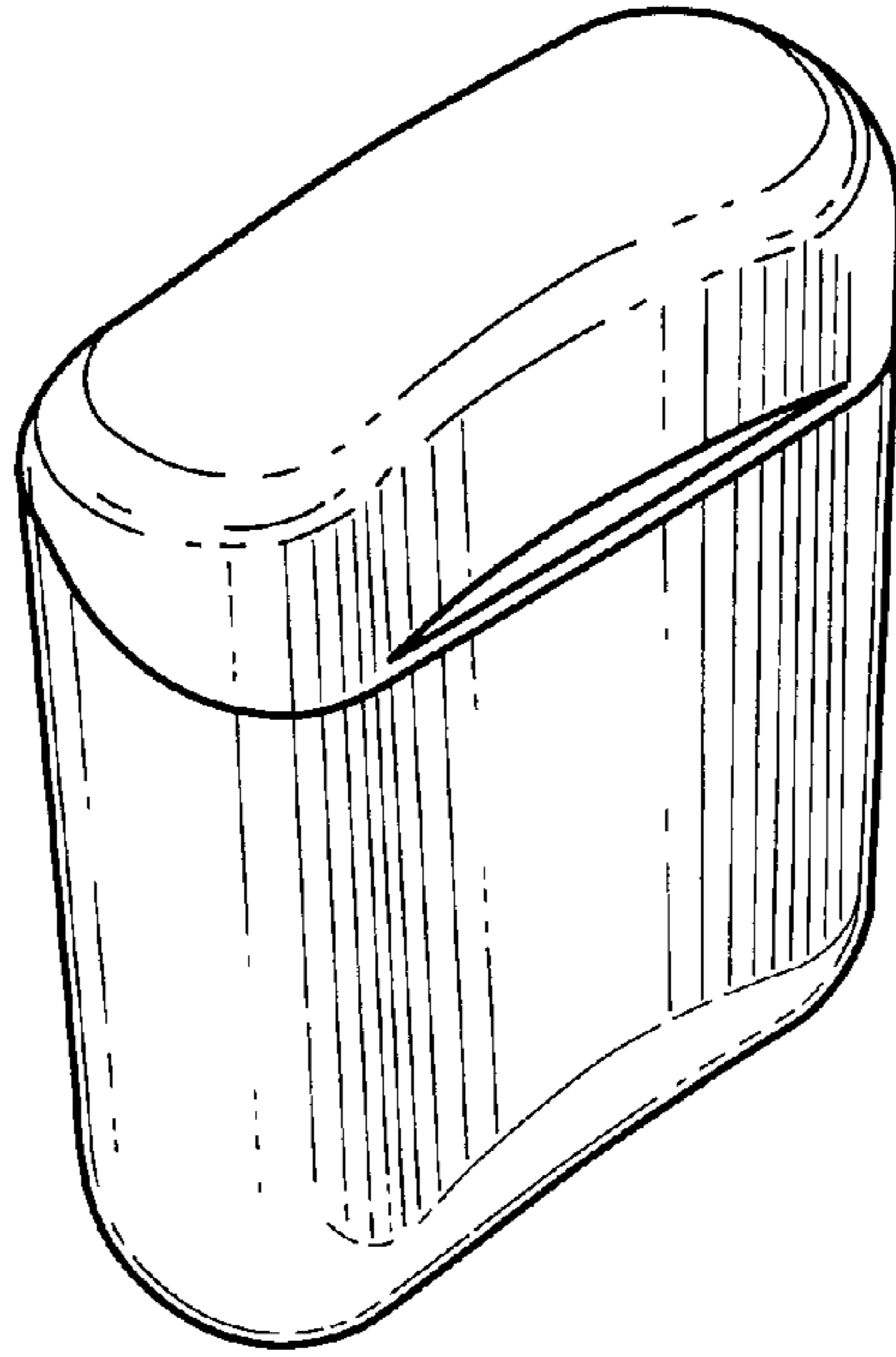


Fig. 1

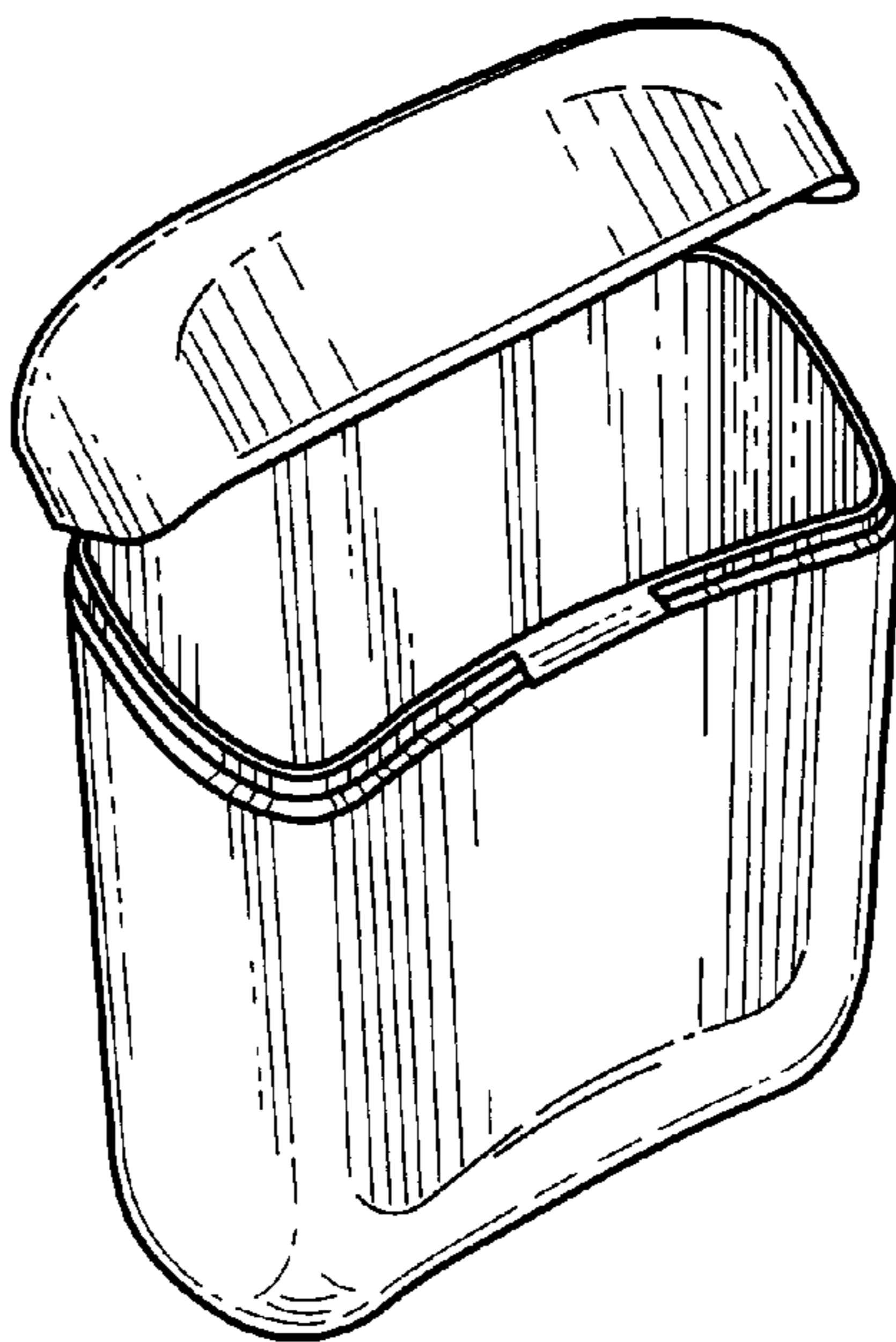


Fig. 10

Fig. 6

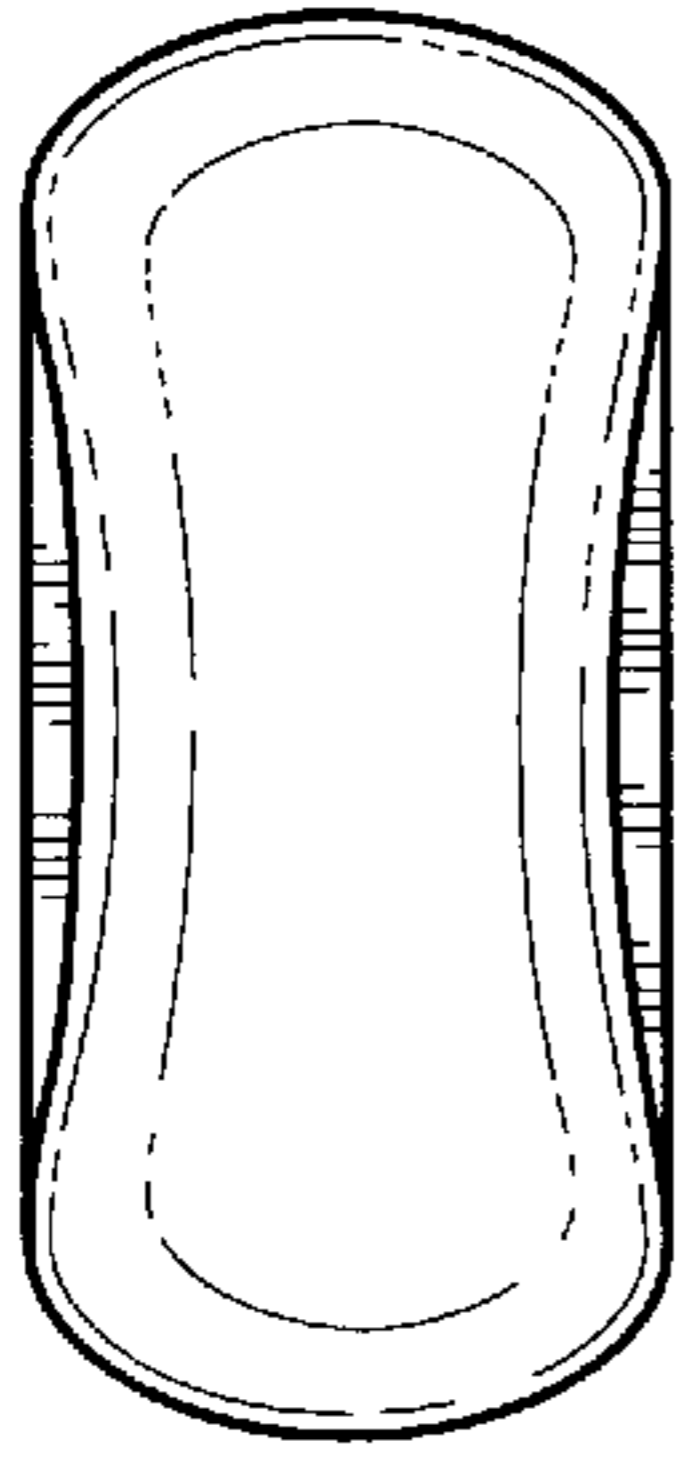


Fig. 2

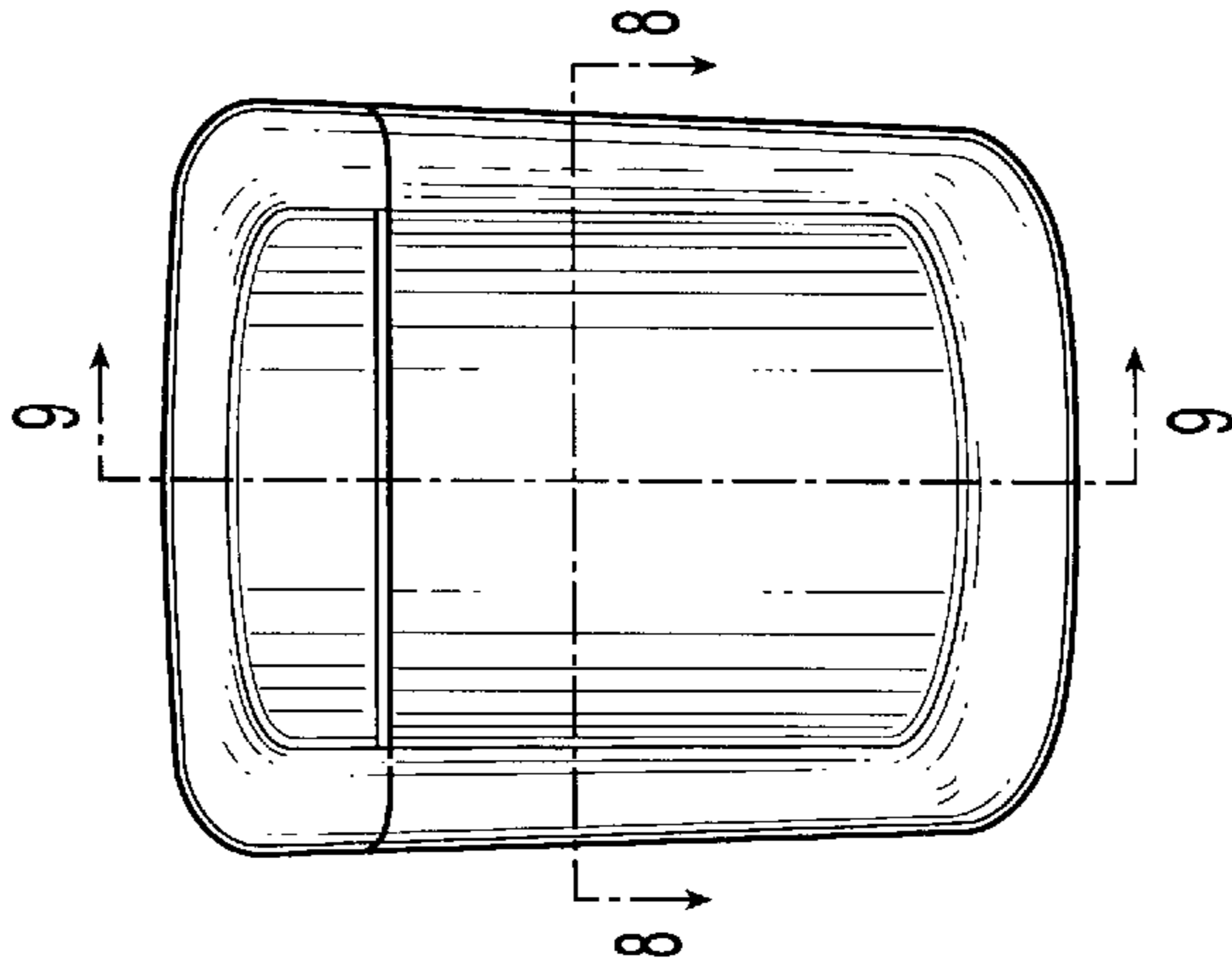


Fig. 3

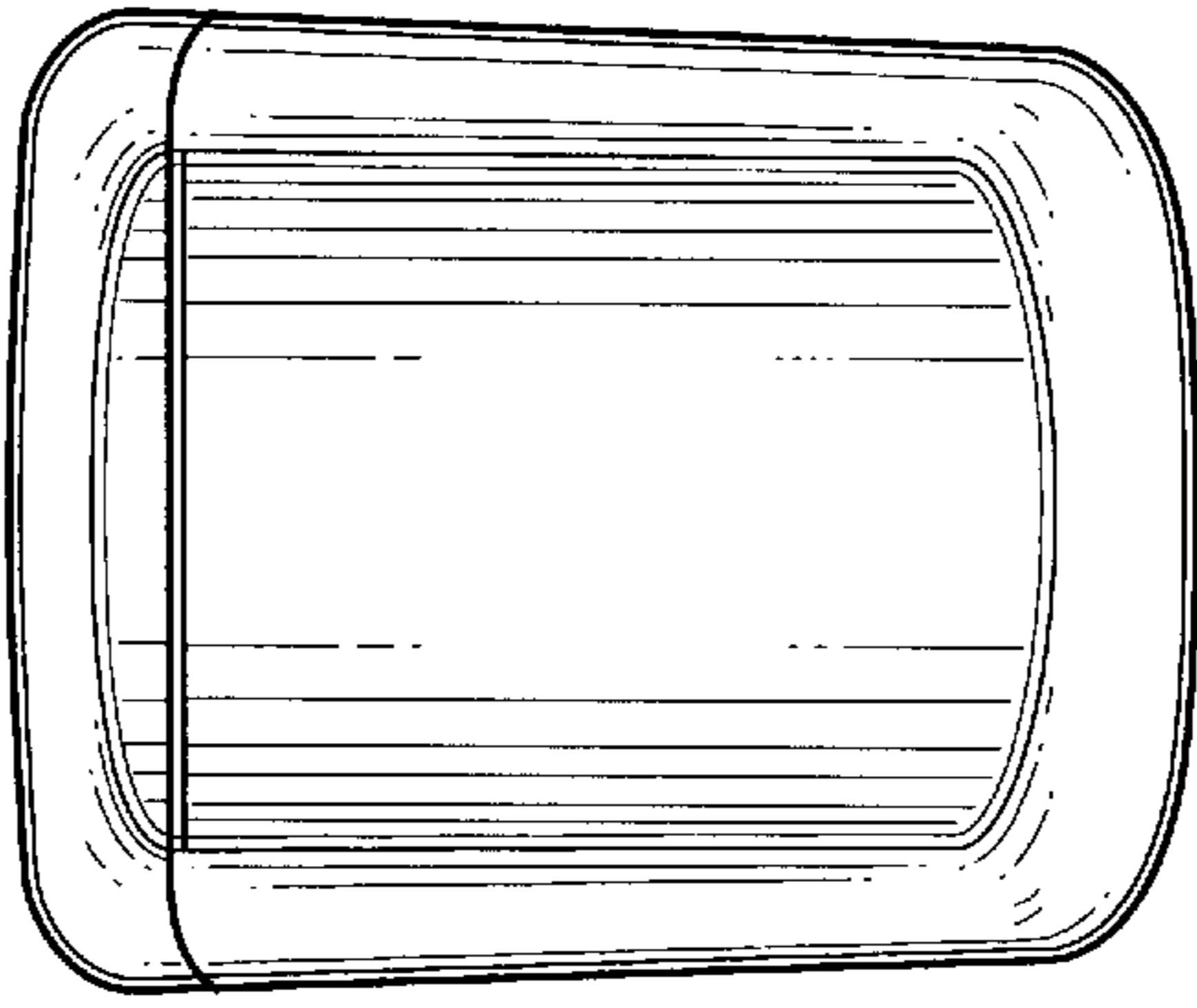


Fig. 5

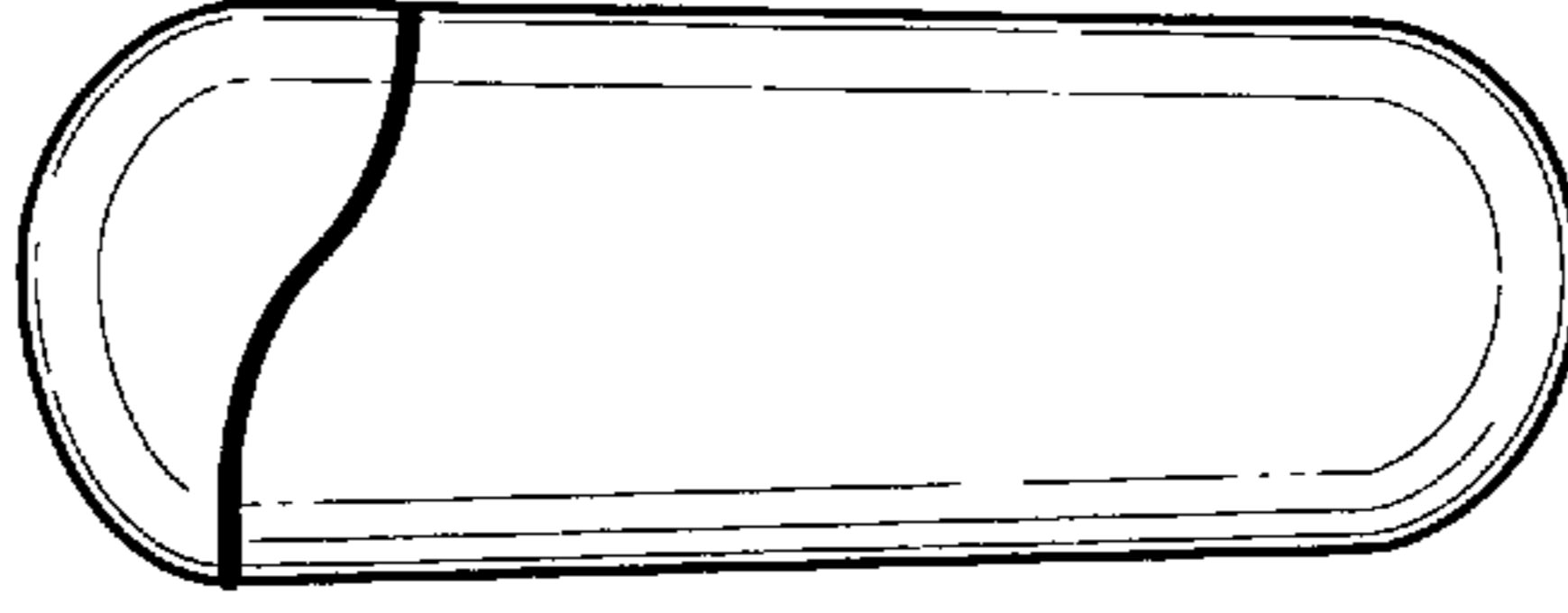


Fig. 4

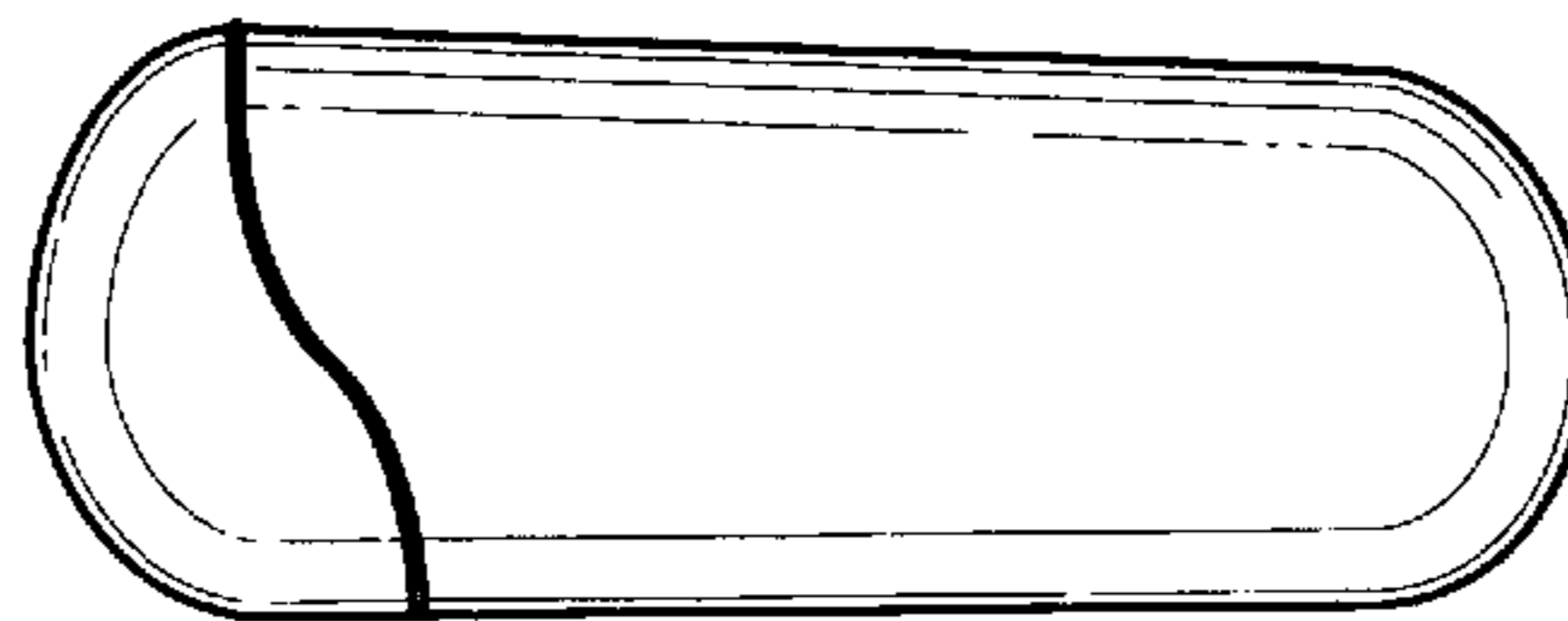
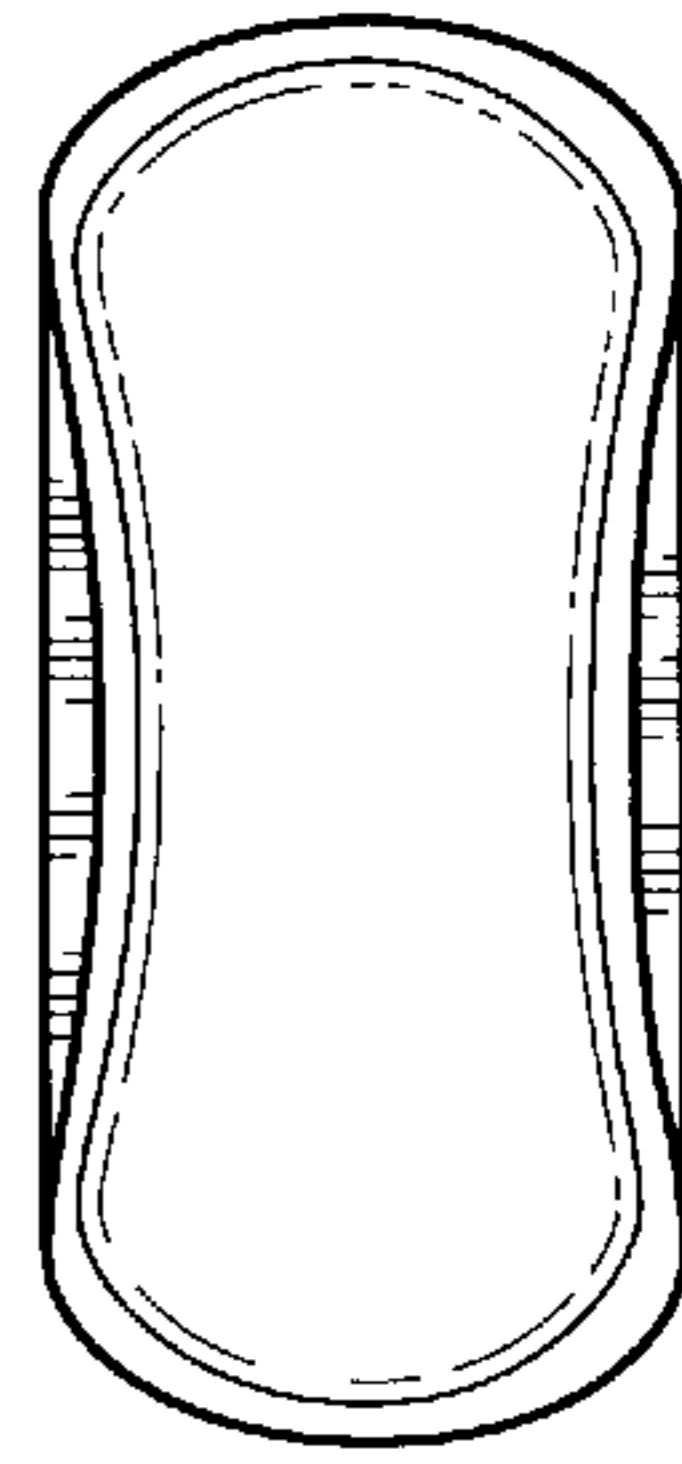


Fig. 7



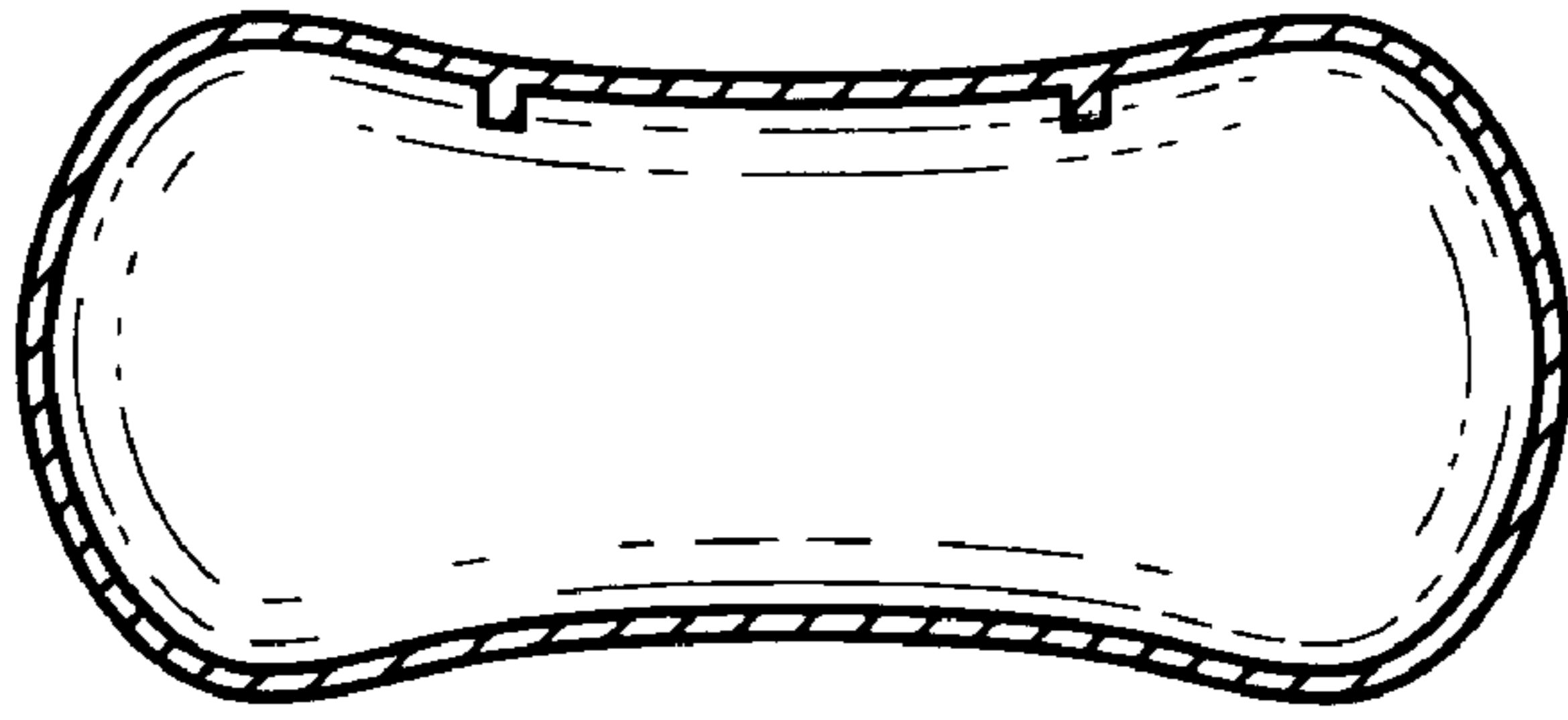


Fig. 8

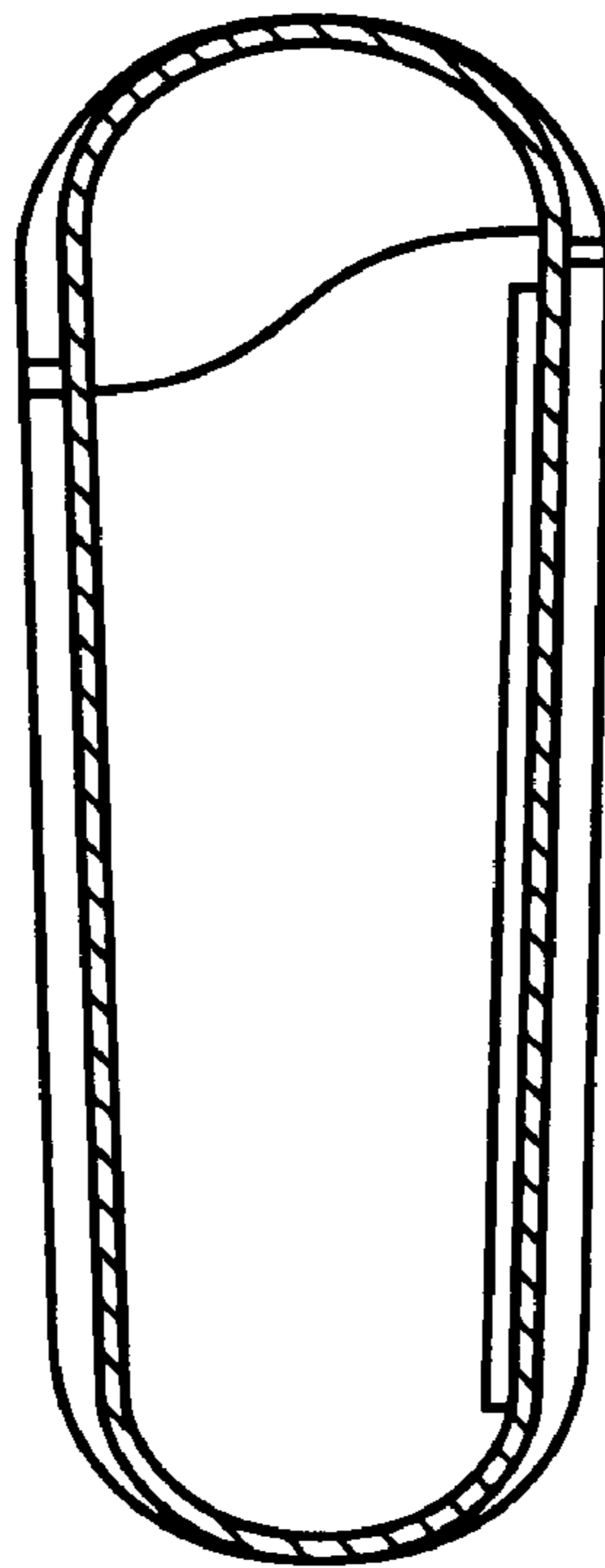


Fig. 9