



US00D449518B1

(12) **United States Design Patent**  
**Snider et al.**

(10) **Patent No.:** **US D449,518 S**

(45) **Date of Patent:** **\*\* Oct. 23, 2001**

(54) **TOOL CONTAINER**

6,053,316 \* 4/2000 Lo ..... 206/379  
6,082,538 \* 7/2000 Snider et al. .... 206/372

(75) Inventors: **Gregory S. Snider**, Bel Air; **James Pangerc**, Baltimore, both of MD (US); **Rajiv Dharap**, Tai Po (HK)

**FOREIGN PATENT DOCUMENTS**

499 05 596 11/1999 (DE) .

(73) Assignee: **Black & Decker Inc.**, Newark, DE (US)

\* cited by examiner

(\*\*) Term: **14 Years**

*Primary Examiner*—Prabhakar Deshmukh  
(74) *Attorney, Agent, or Firm*—Harness, Dickey & Pierce, P.L.C.

(21) Appl. No.: **29/123,413**

(57) **CLAIM**

(22) Filed: **May 17, 2000**

The ornamental design for a tool container, as shown and described.

(51) **LOC (7) Cl.** ..... **09-03**

**DESCRIPTION**

(52) **U.S. Cl.** ..... **D9/415; D3/905**

(58) **Field of Search** ..... D9/415, 418, 414, D9/332, 341; 206/461-471, 495, 806, 372-379, 349, 206, 207, 234, 443; D3/905, 273; D8/71; D6/400; 312/902; 211/69, 70.6

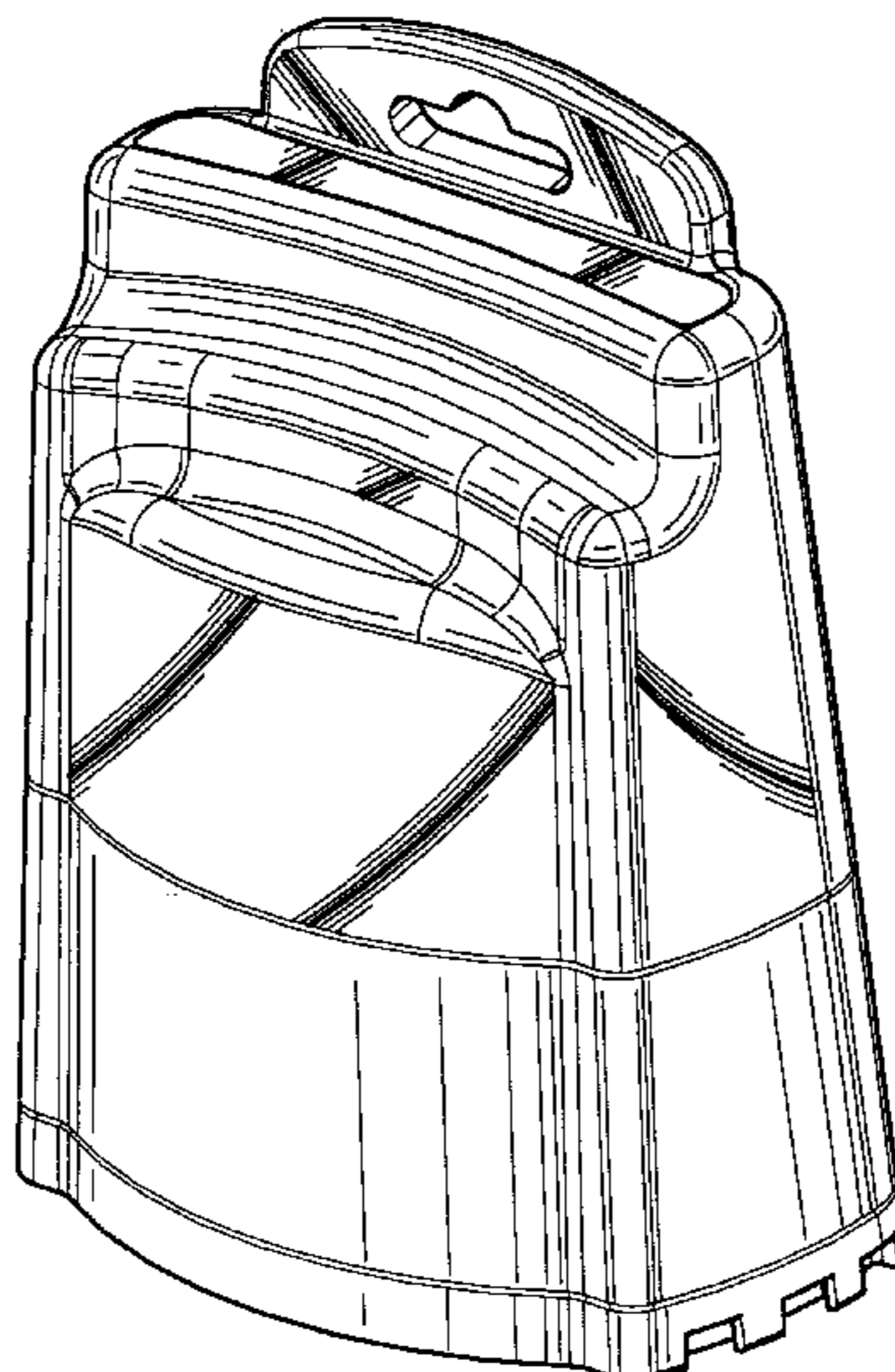
FIG. 1 is a front perspective view of a tool container shown in the closed position;  
FIG. 2 is a rear perspective view;  
FIG. 3 is a front view thereof;  
FIG. 4 is a left side view thereof;  
FIG. 5 is a top view thereof;  
FIG. 6 is a rear view thereof;  
FIG. 7 is a bottom view thereof;  
FIG. 8 is a front perspective view of the base portion of the tool container with the top removed (the broken line showing drill bits is for illustrative purposes only and forms no part of the claim);  
FIG. 9 is a rear perspective view of the base portion of the tool container;  
FIG. 10 is a front view of the base portion of the tool container;  
FIG. 11 is a rear view of the base portion of the tool container;  
FIG. 12 is a right side view of the base portion of the tool container; and,  
FIG. 13 is a top view of the base portion of the tool container.

(56) **References Cited**

**U.S. PATENT DOCUMENTS**

D. 323,245	1/1992	Hobson .	
D. 323,936	2/1992	Feng .	
D. 334,534	4/1993	Friz et al. .	
D. 365,022	12/1995	Wada .	
D. 388,609	1/1998	Chan .	
D. 394,806	6/1998	Budert .	
D. 408,281	4/1999	Chen .	
D. 409,906	* 5/1999	Hu .....	D9/415
D. 418,406	* 1/2000	Liao .....	D9/415
D. 420,578	* 2/2000	Plumer .....	D9/415
D. 430,018	* 8/2000	Snider et al. ....	D9/415
2,071,978	2/1937	Hines .	
2,775,342	12/1956	Smith .	
2,962,154	11/1960	Falk .	
4,154,340	5/1979	Beebe .	
5,148,914	9/1992	Budert et al. .	
5,456,358	* 10/1995	Achmidt .....	206/373
5,628,400	* 5/1997	Feder .....	206/379
5,746,316	* 5/1998	La Barre .....	206/379

**1 Claim, 6 Drawing Sheets**



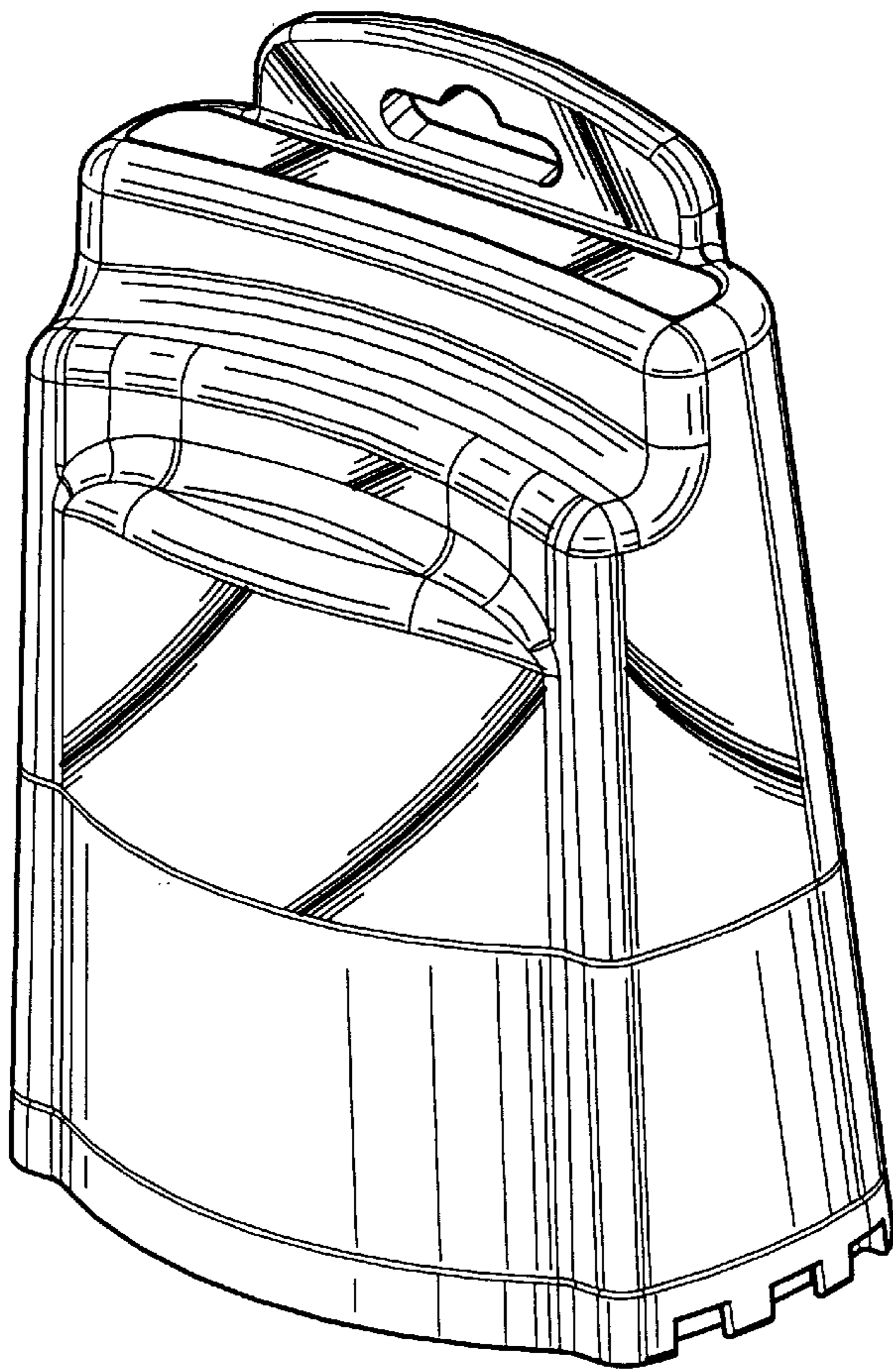


Figure - 1

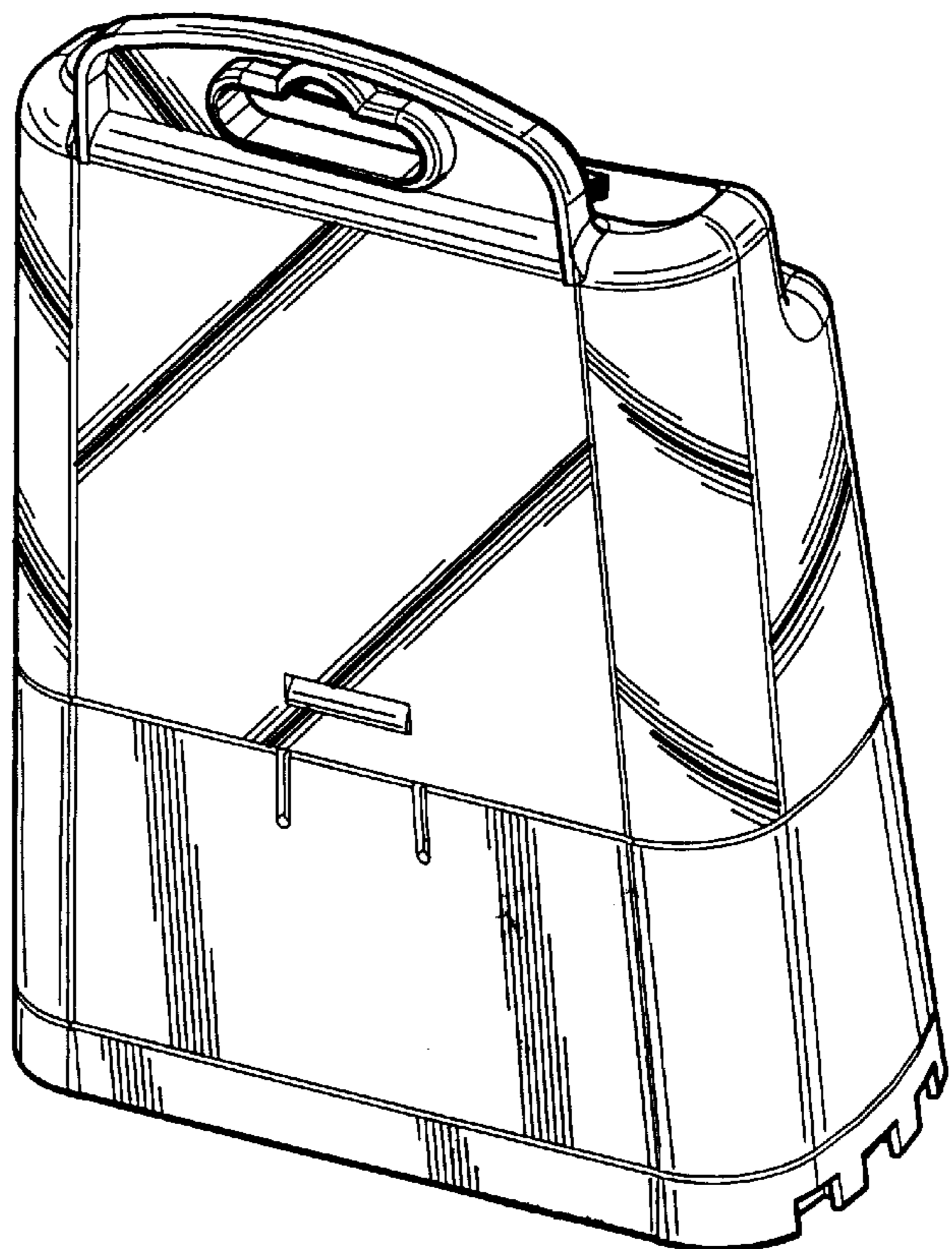


Figure - 2

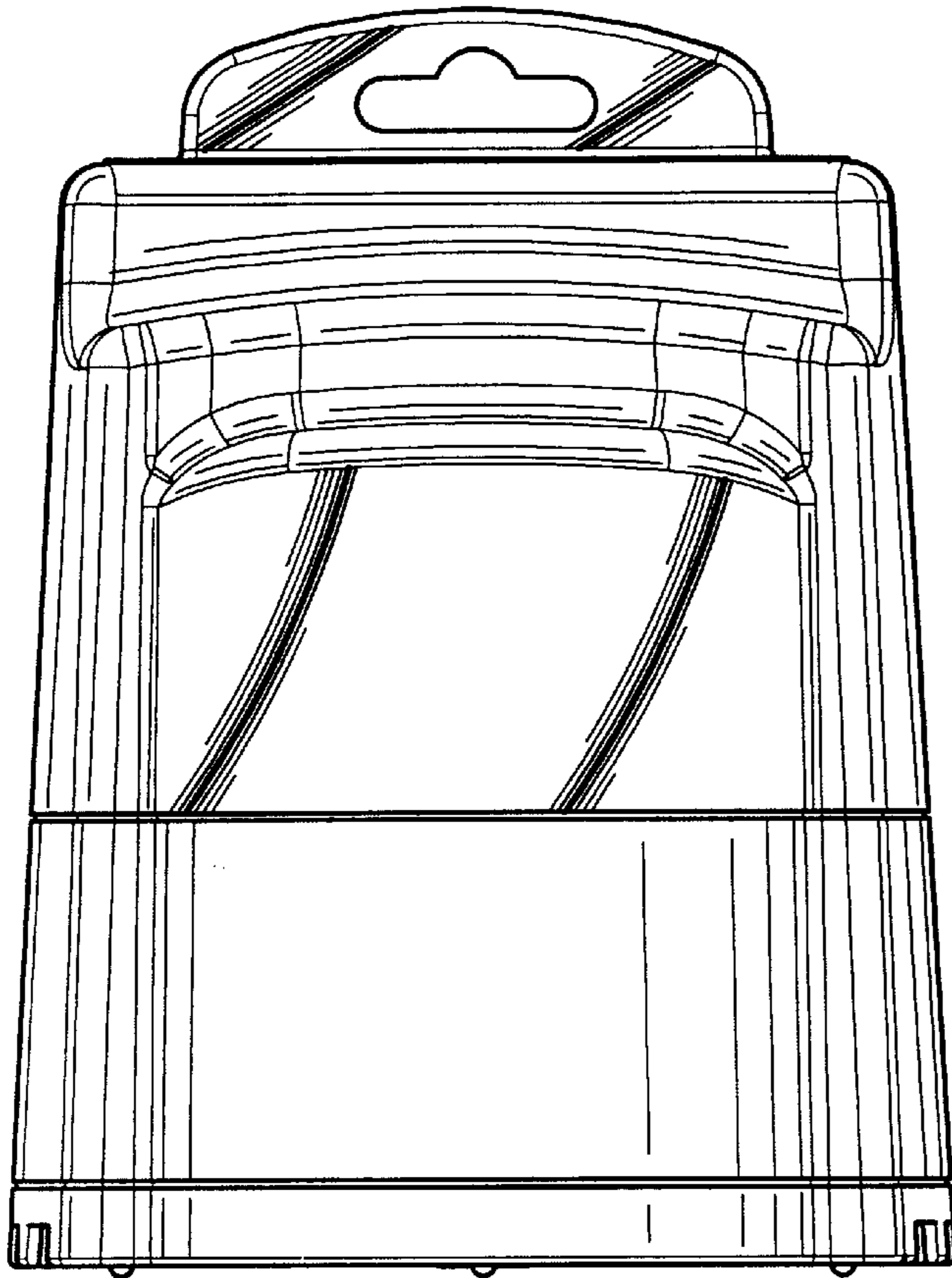


Figure - 3

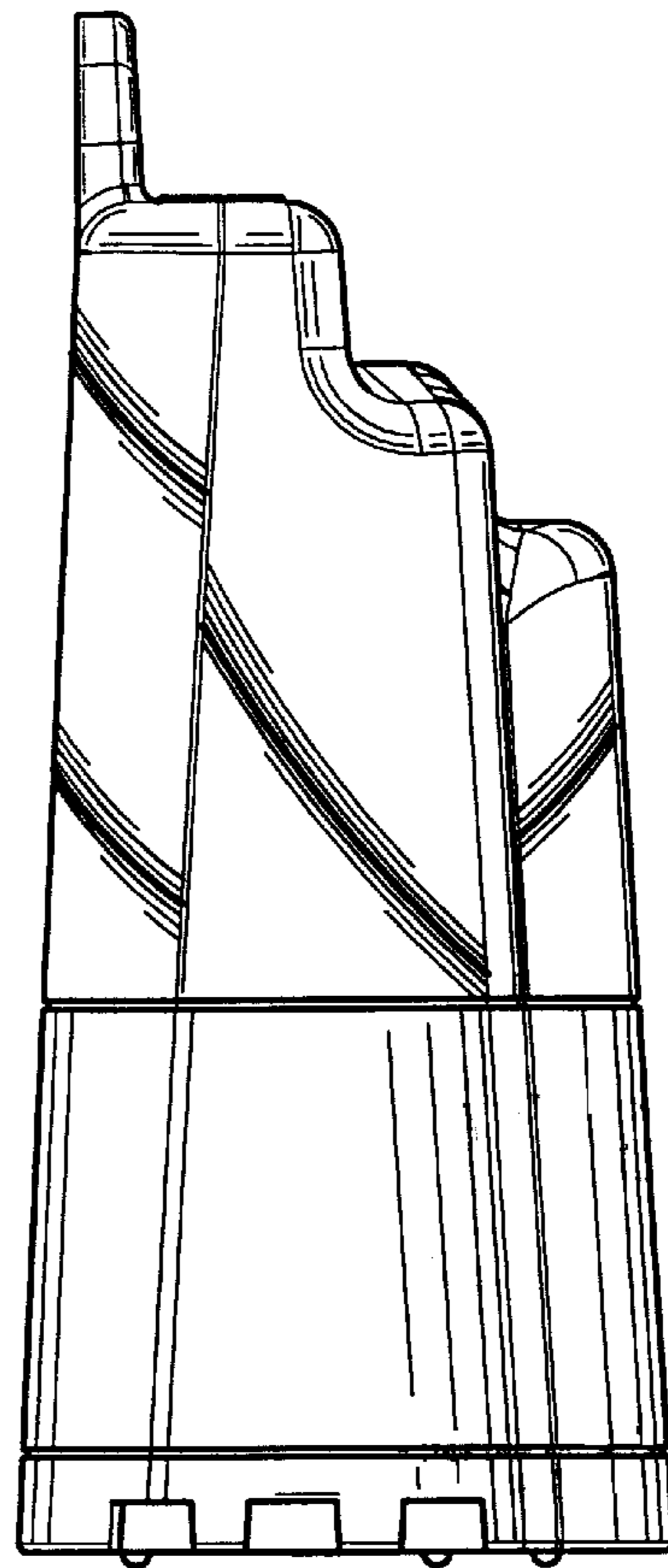


Figure - 4

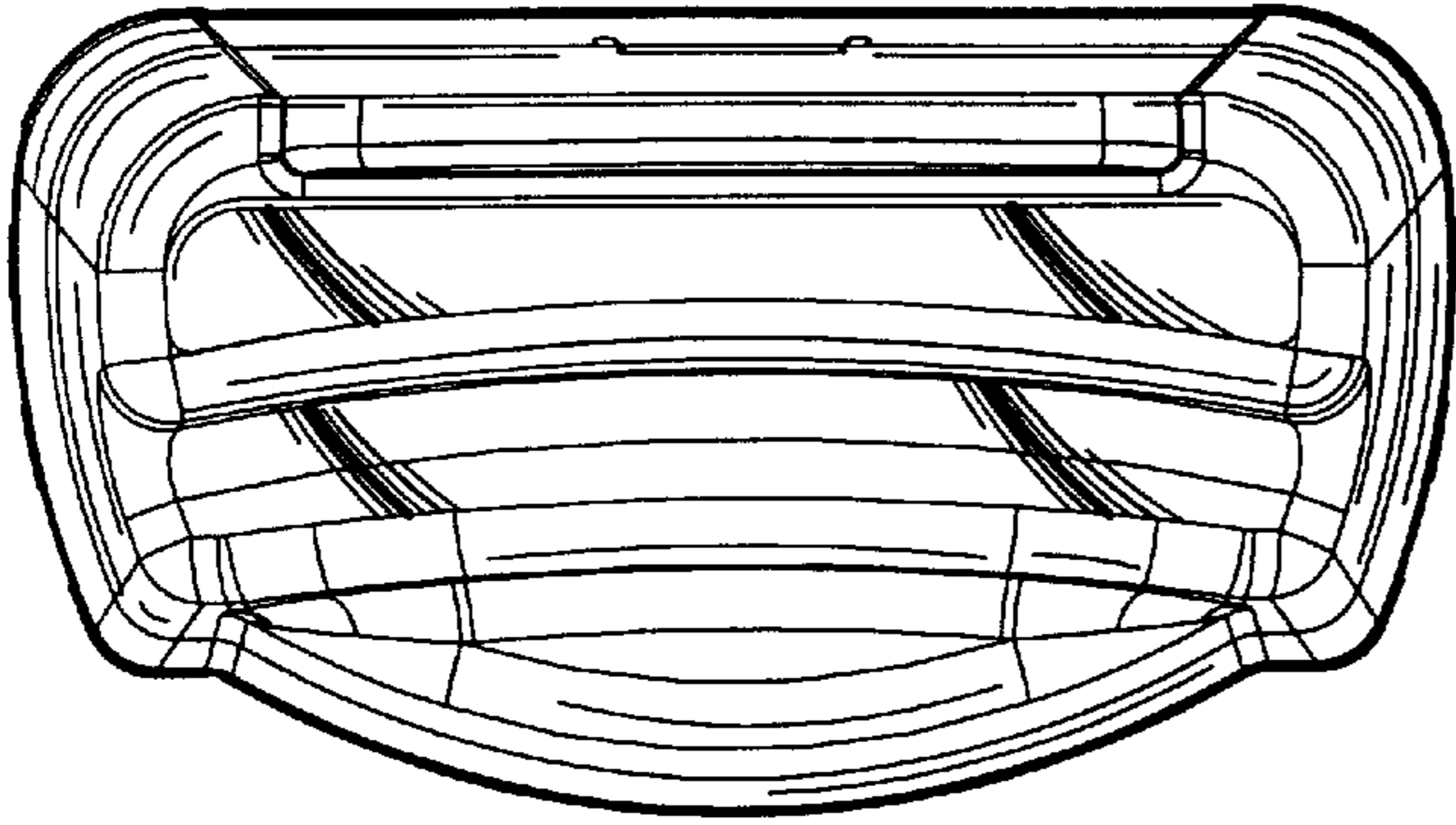


Figure - 5

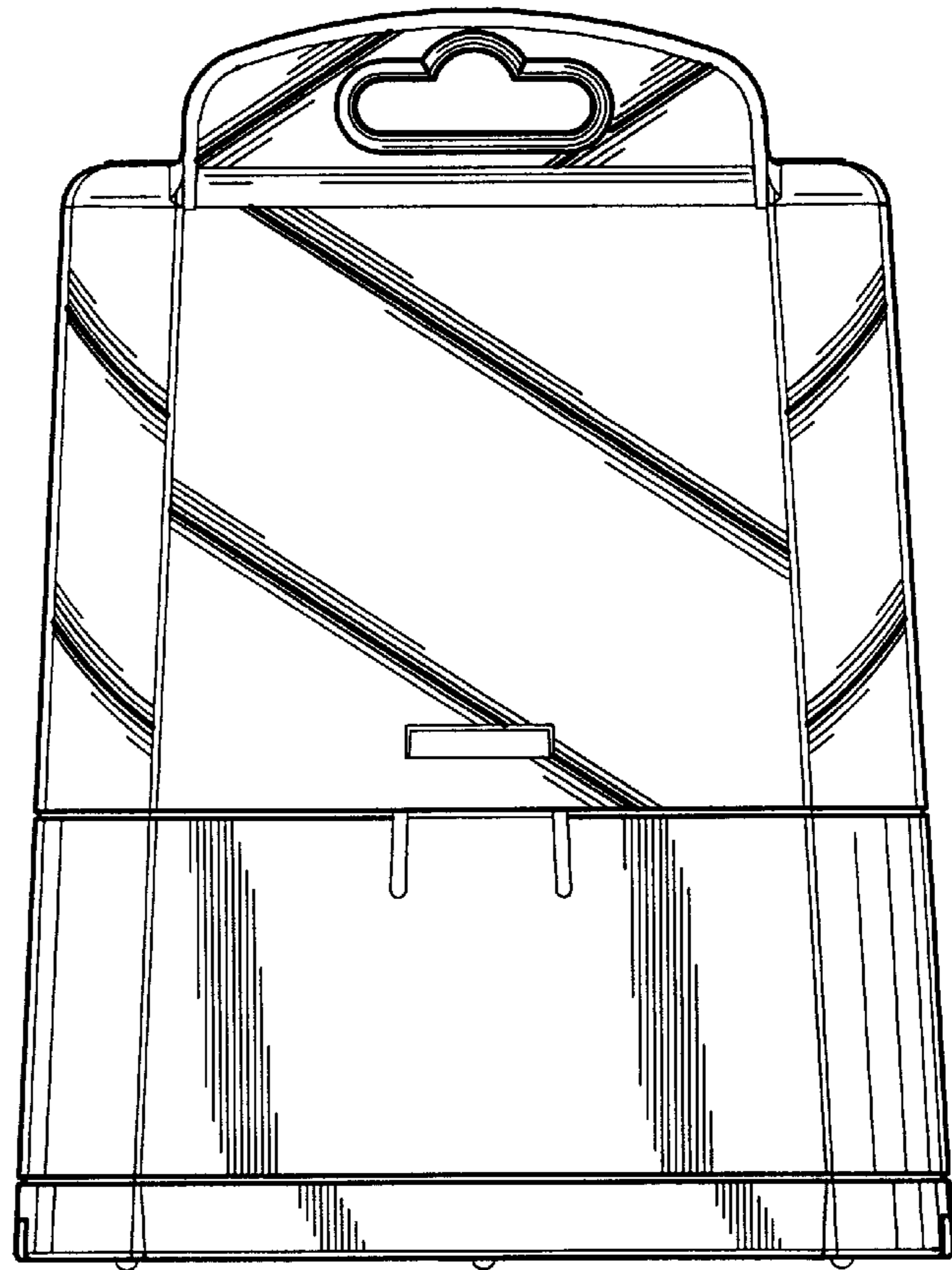


Figure - 6

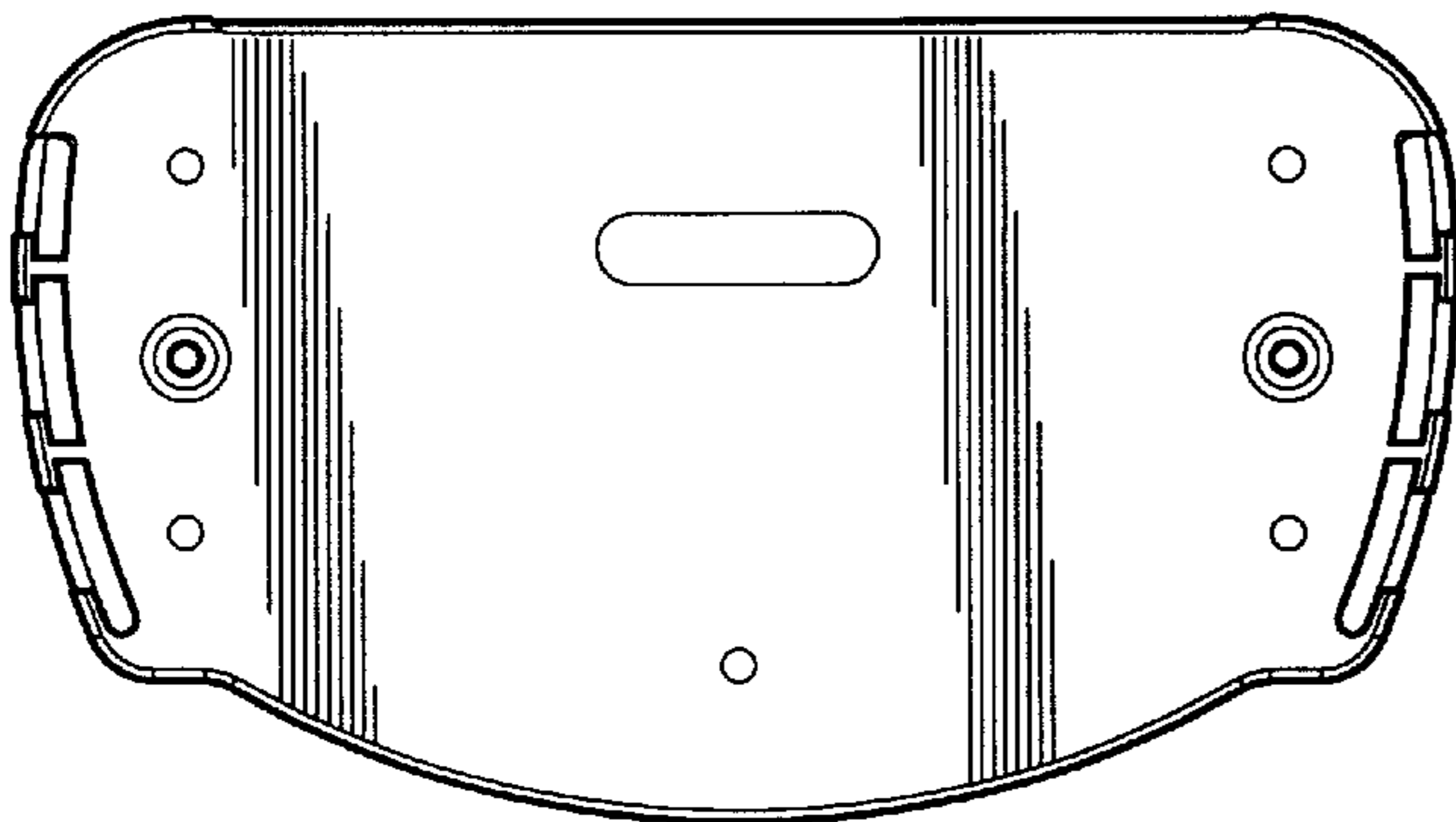


Figure - 7

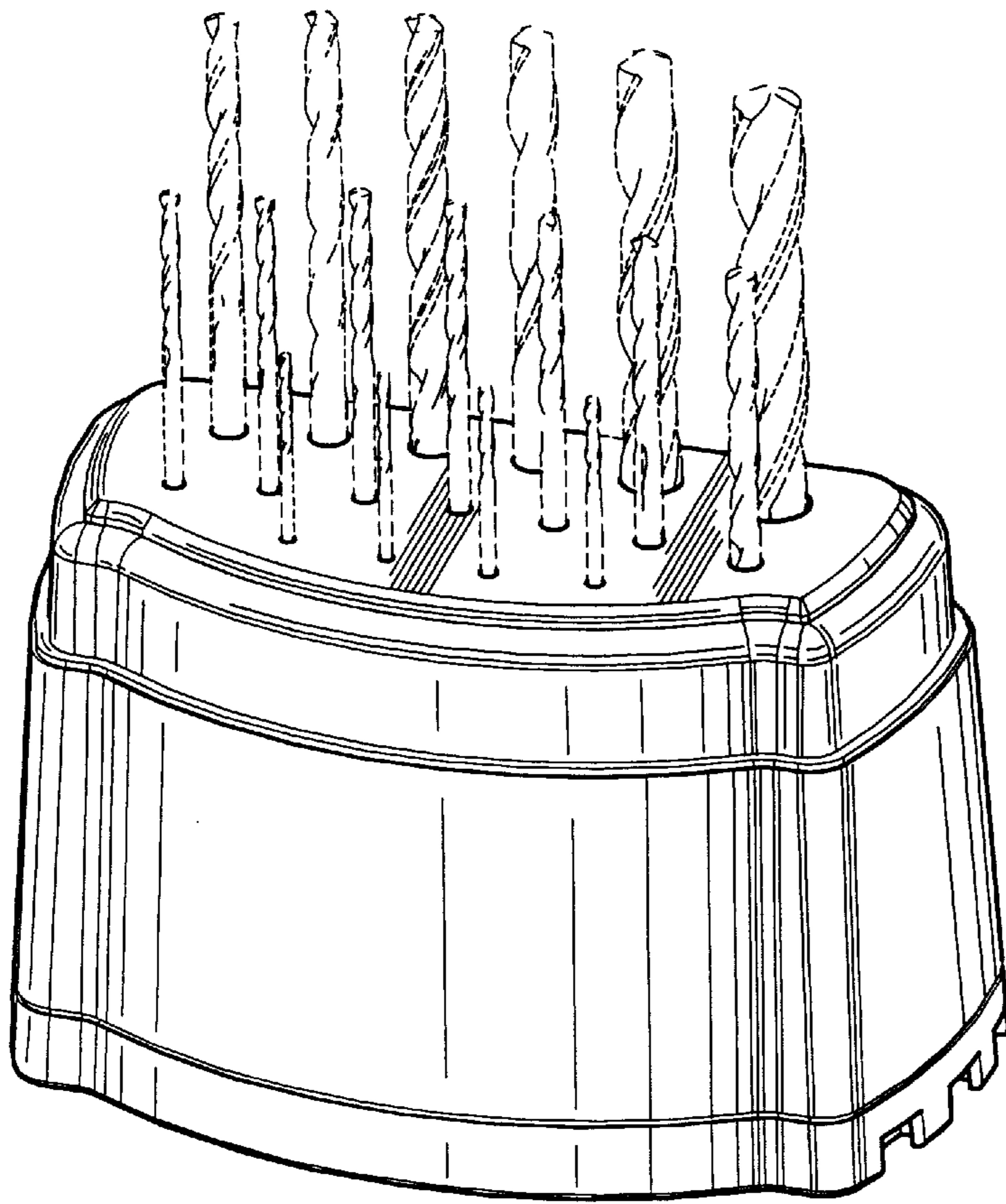


Figure - 8

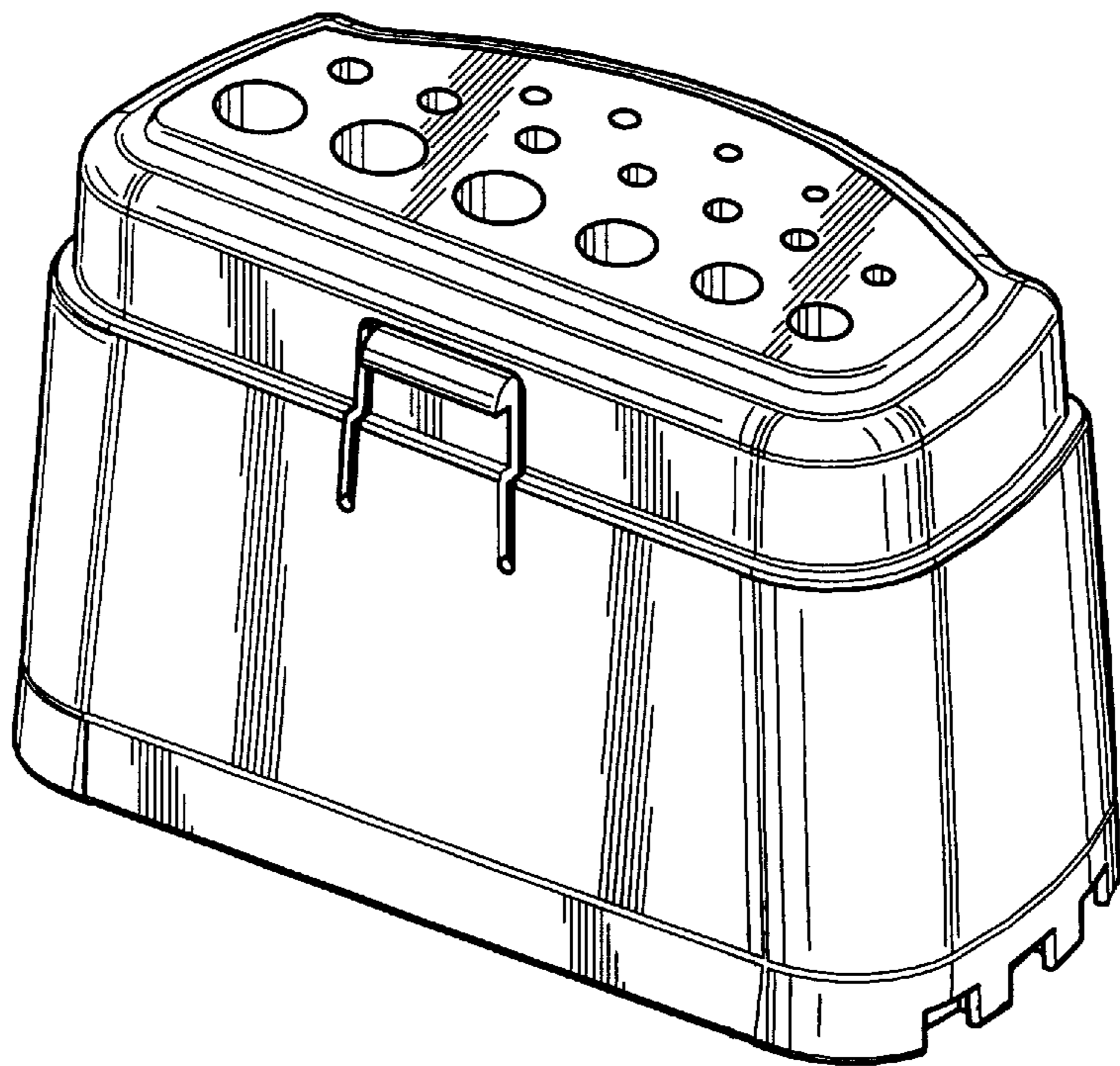


Figure - 9

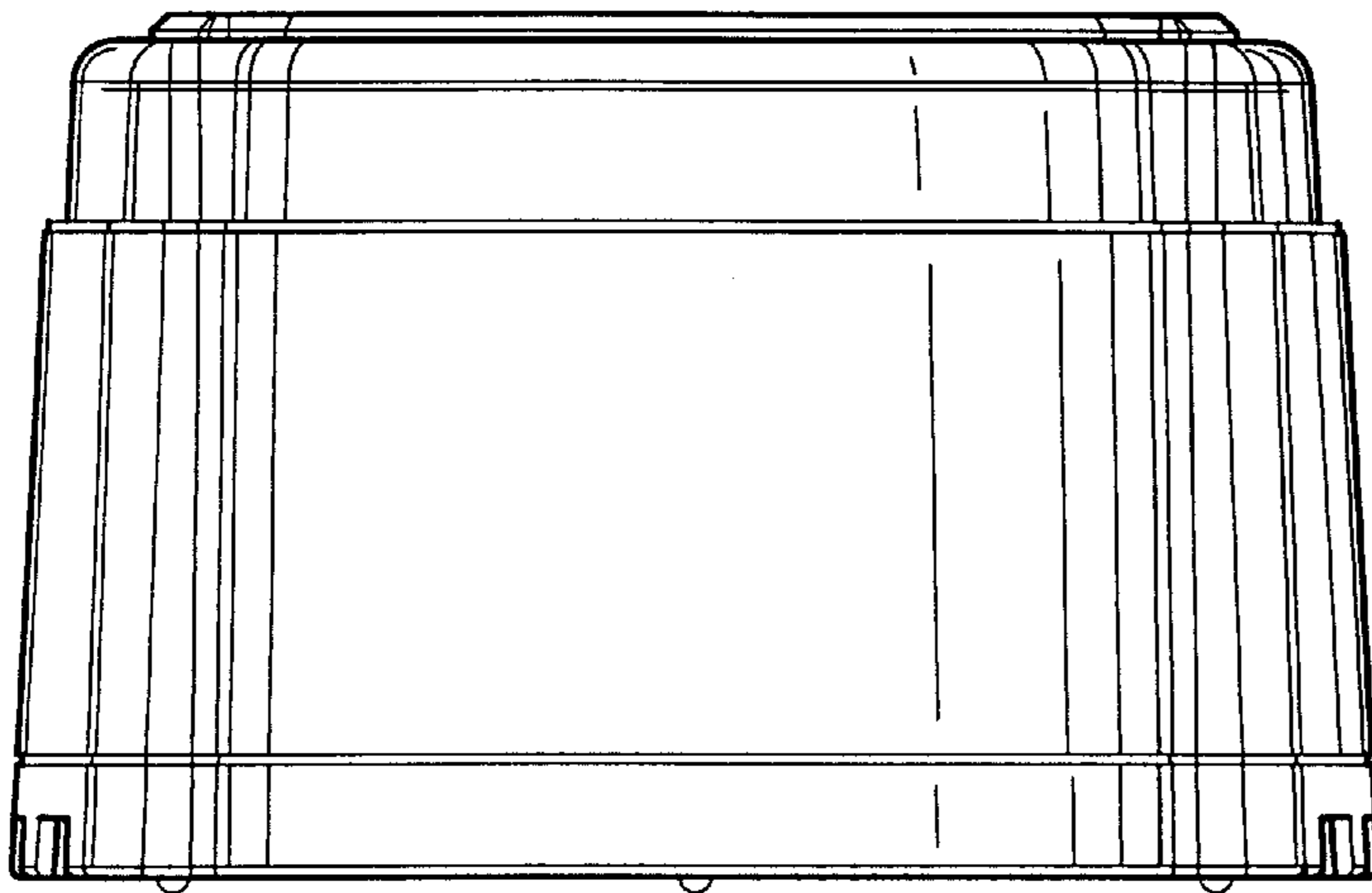


Figure - 10

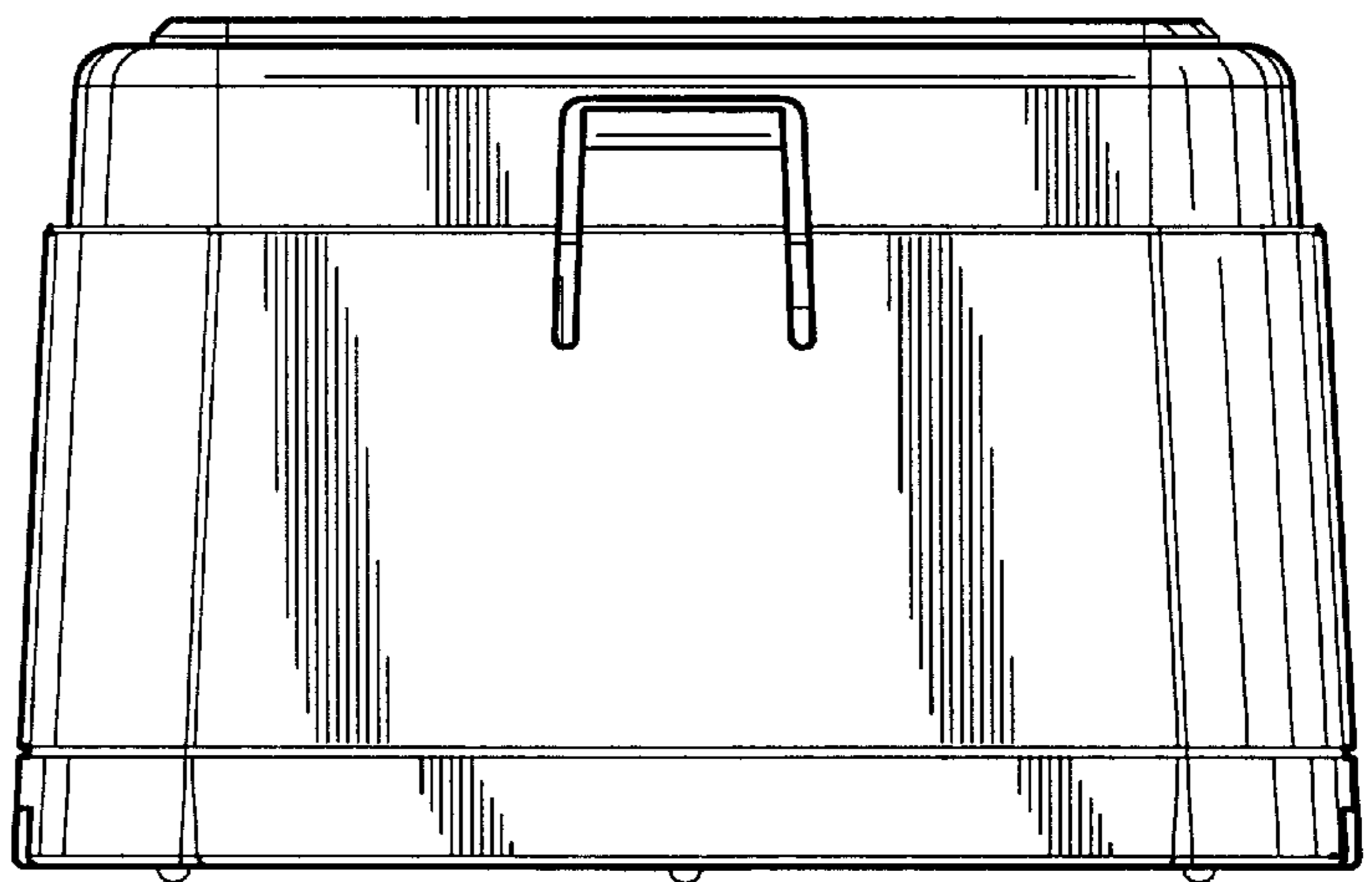


Figure - 11

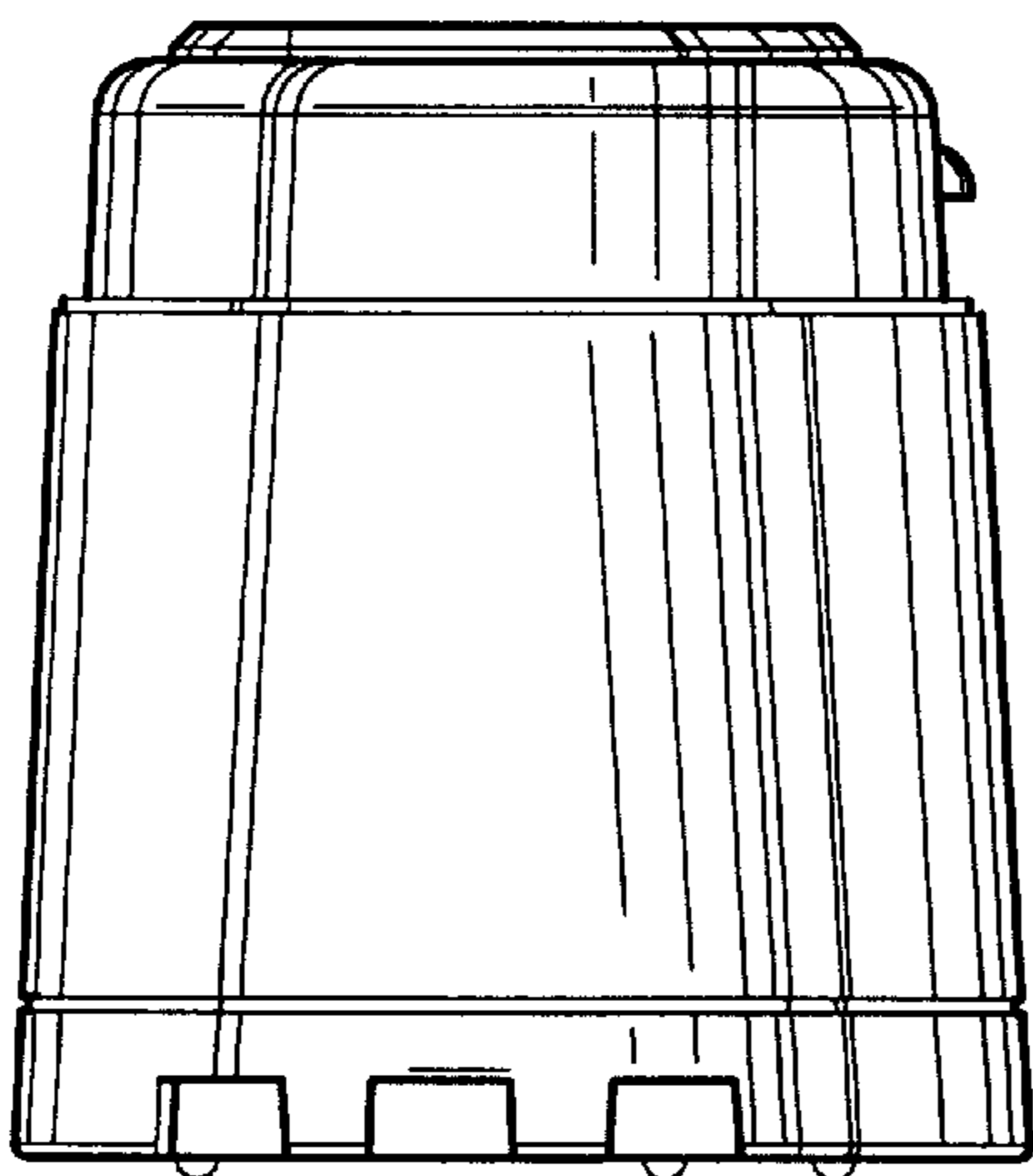


Figure - 12

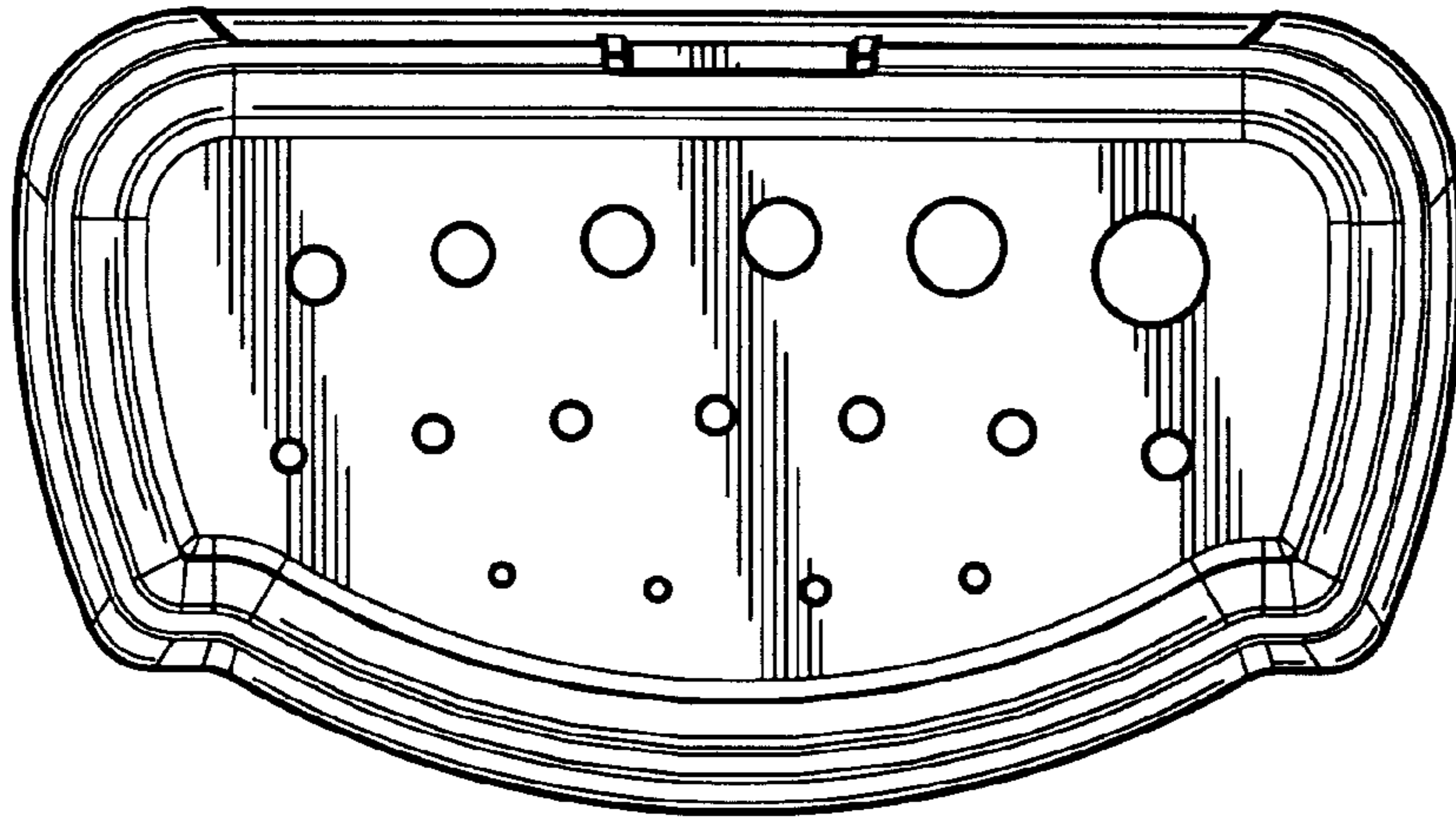


Figure - 13