



US00D449514B1

(12) **United States Design Patent**
Thalenfeld

(10) **Patent No.:** **US D449,514 S**

(45) **Date of Patent:** **** Oct. 23, 2001**

(54) **MOUNTING PLATE FOR DISPLAY HOOK**

4,026,508 * 5/1977 Ziegler 248/220.3
5,035,388 * 7/1991 Nagel 248/228.4

(75) Inventor: **John S. Thalenfeld**, Dallas, PA (US)

* cited by examiner

(73) Assignee: **Trion Industries, Inc.**, Wilkes-Barre, PA (US)

Primary Examiner—Pamela Burgess

(**) Term: **14 Years**

(74) *Attorney, Agent, or Firm*—Schweitzer Cornman Gross & Bondell LLP

(21) Appl. No.: **29/142,601**

(57) **CLAIM**

(22) Filed: **May 30, 2001**

The ornamental design for a mounting plate for display hook, as shown and described.

(51) **LOC (7) Cl.** **08-05**

DESCRIPTION

(52) **U.S. Cl.** **D8/367**

(58) **Field of Search** D8/367, 373, 354;
248/205.1, 214, 220.22, 220.31, 307, 304,
228.4; 24/545; 211/54.1, 57.1, 59.1, 96,
102

FIG. 1 is a top front perspective view of the mounting plate for display hook of the invention.

FIG. 2 is an elevational view thereof from the right side.

FIG. 3 is an elevational view thereof from the left side.

FIG. 4 is a front elevational view thereof.

FIG. 5 is a back elevational view thereof

FIG. 6 is a top plan view thereof; and,

FIG. 7 is a bottom plan view thereof.

(56) **References Cited**

U.S. PATENT DOCUMENTS

3,985,325 * 10/1976 Ginsburg et al. 248/220.22

1 Claim, 4 Drawing Sheets

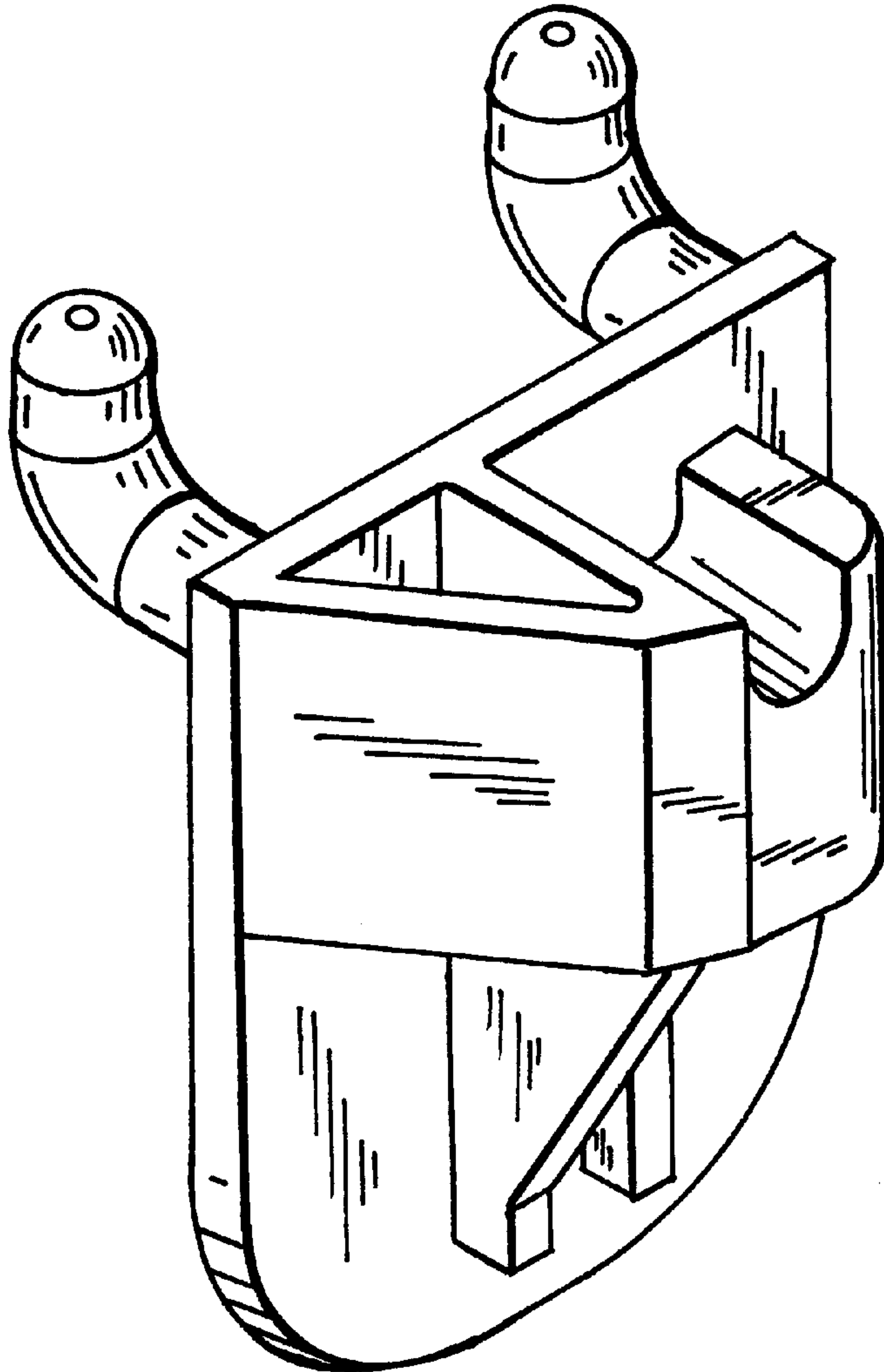


FIG. 1

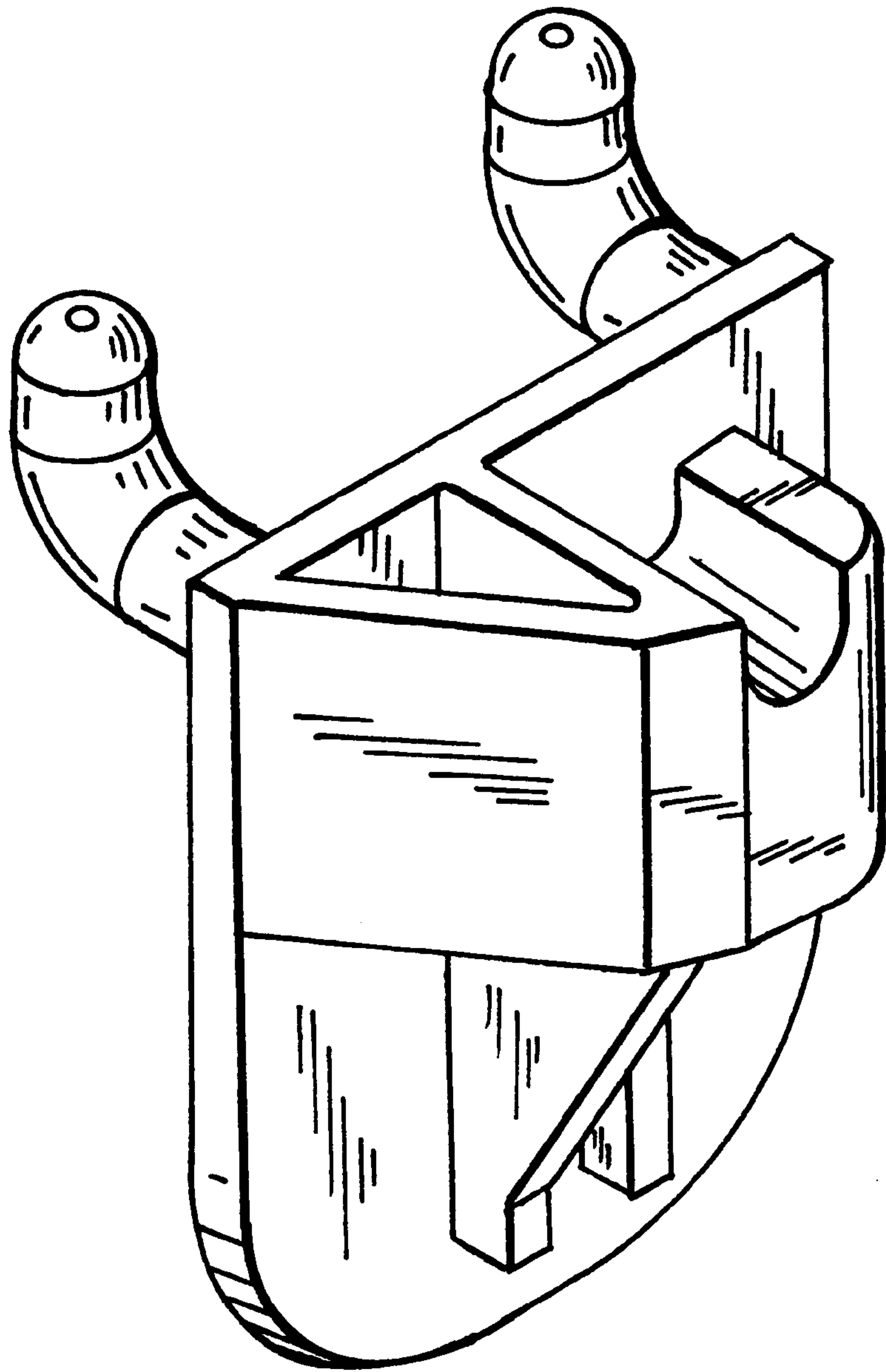


FIG. 2

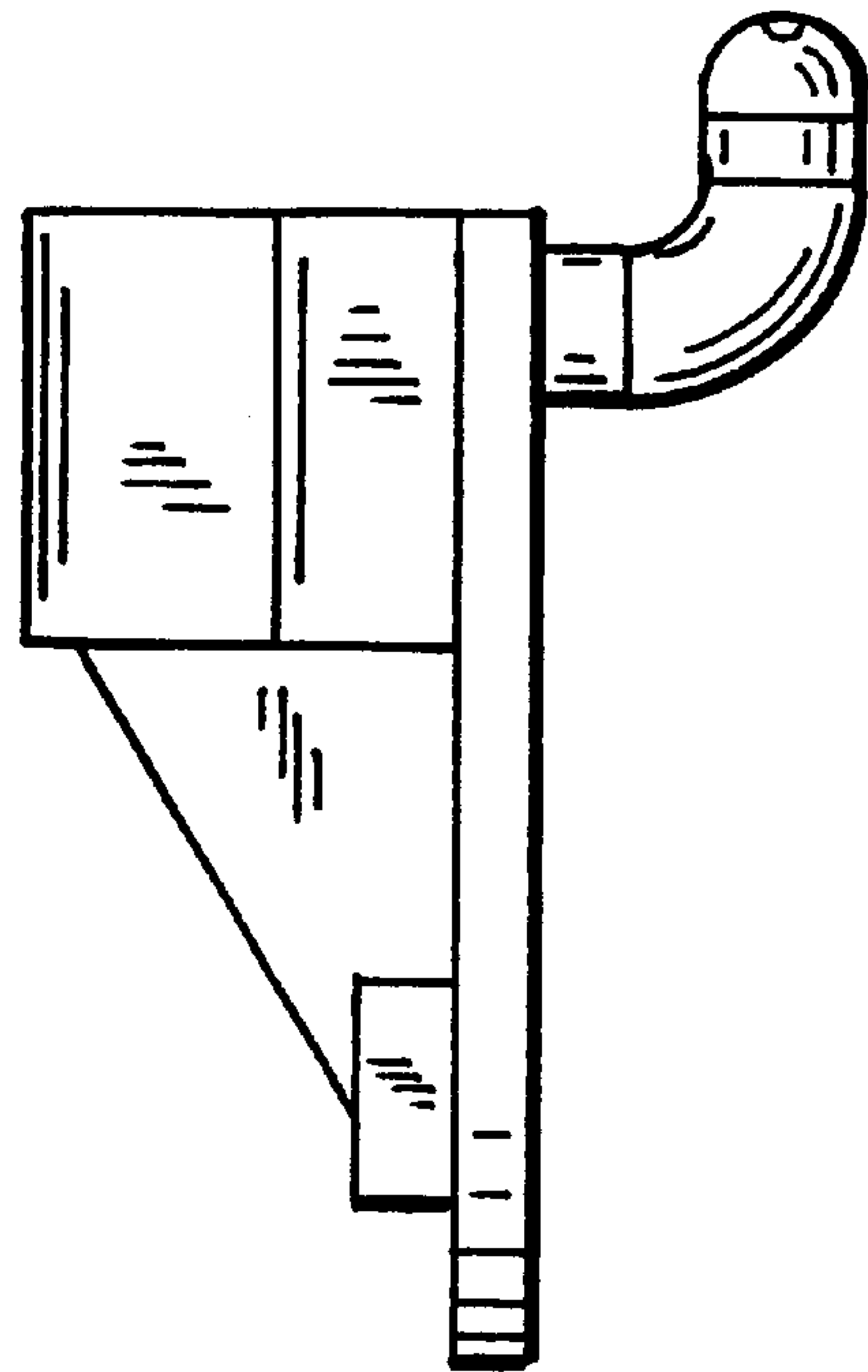


FIG. 3

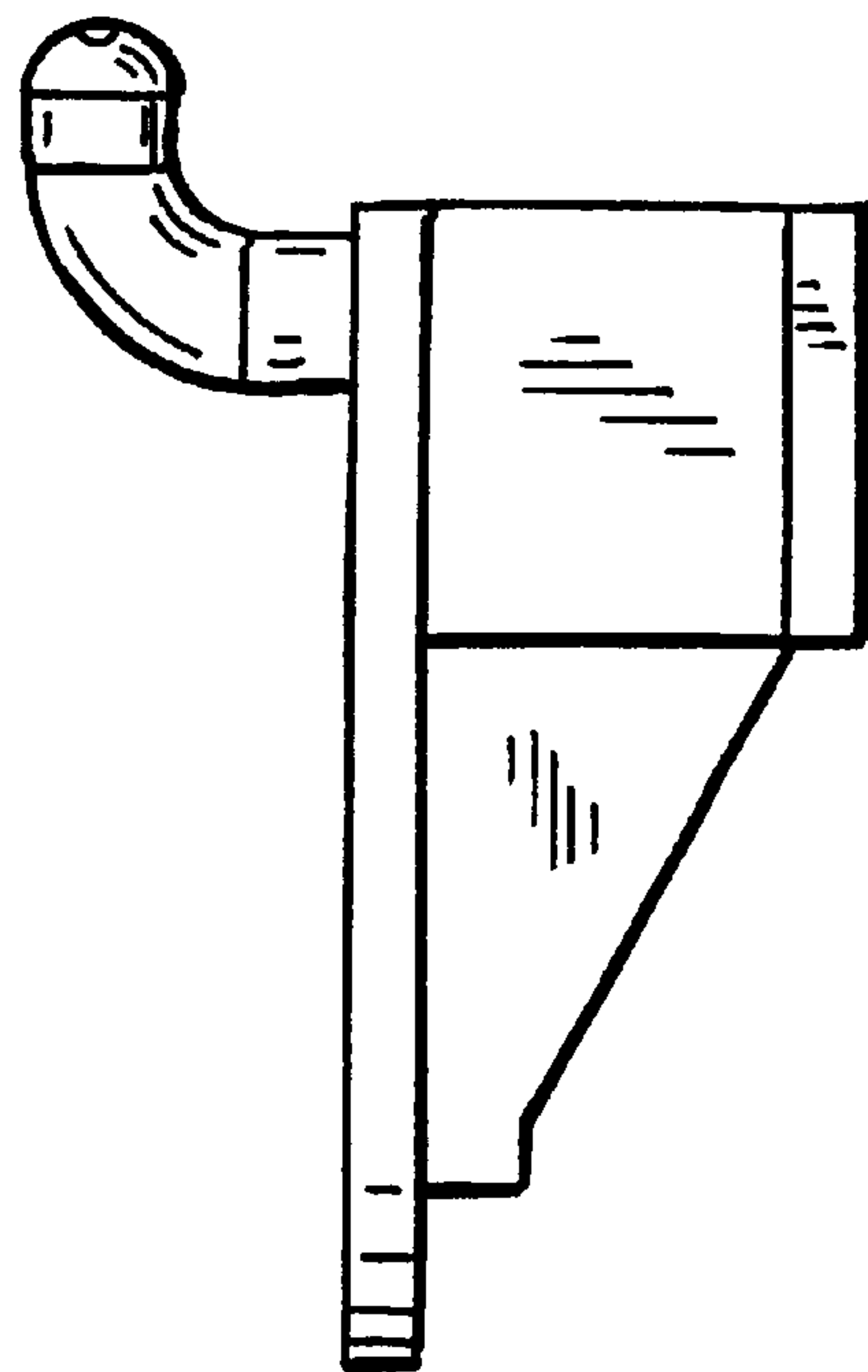


FIG. 4

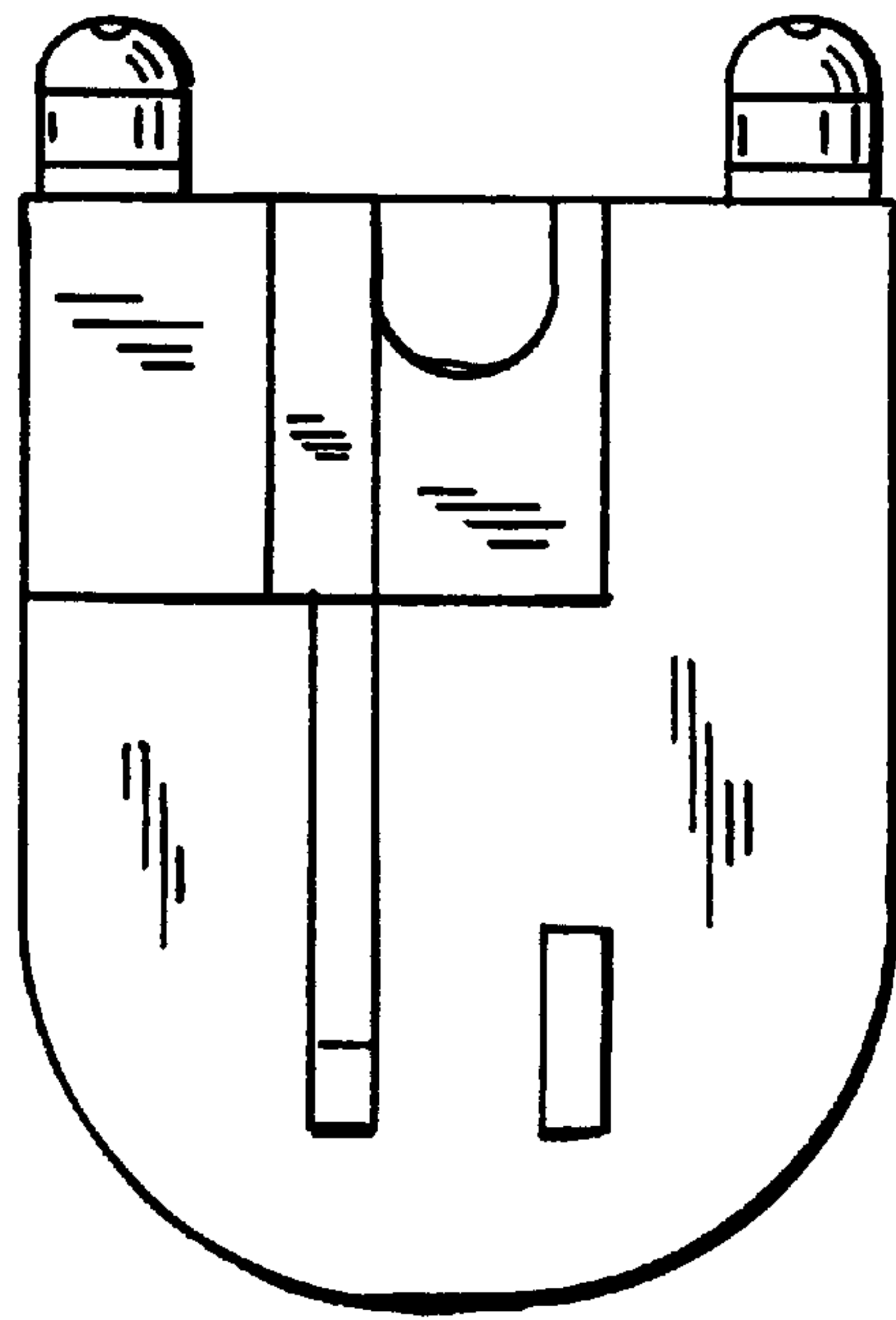


FIG. 5

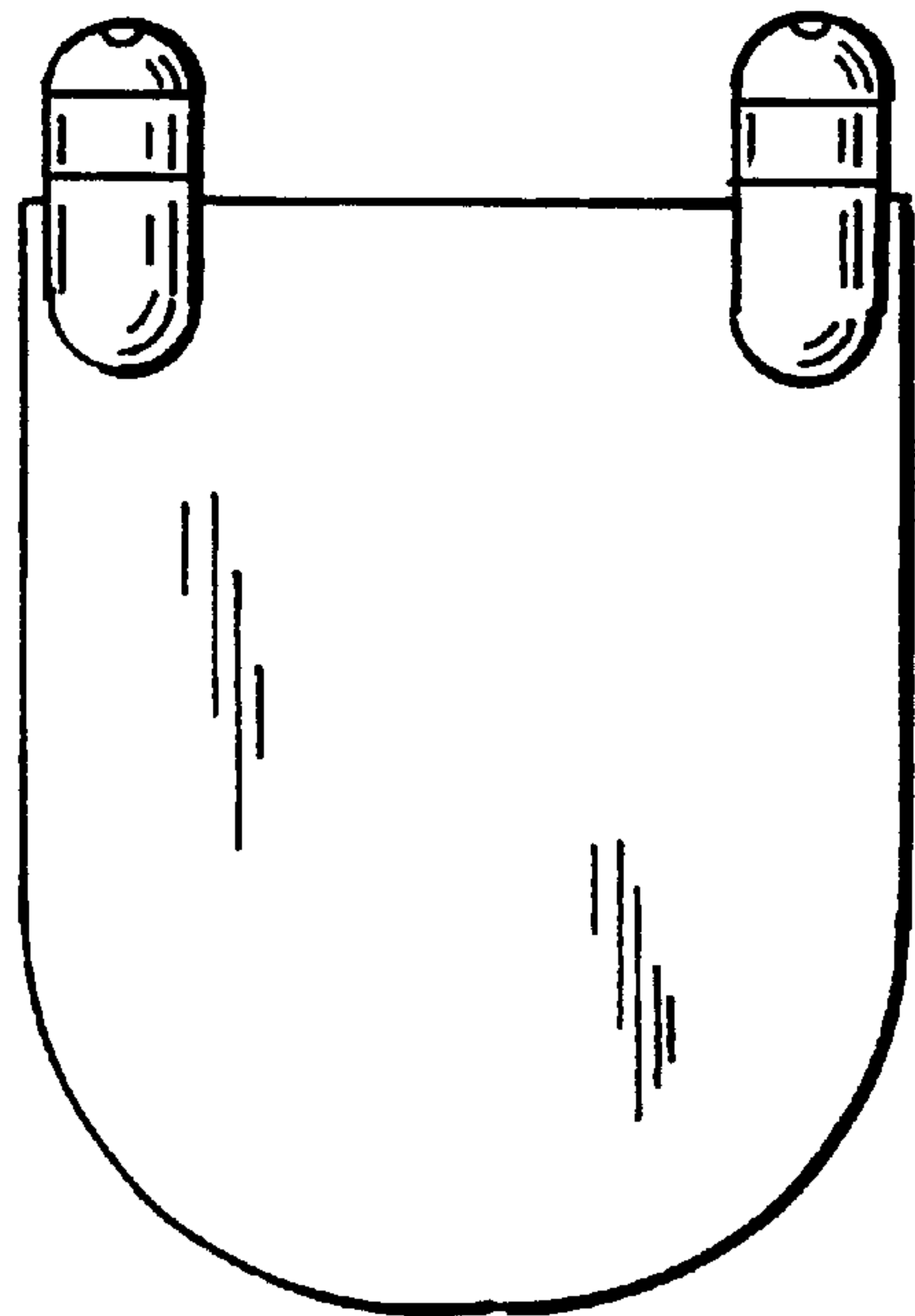


FIG. 6

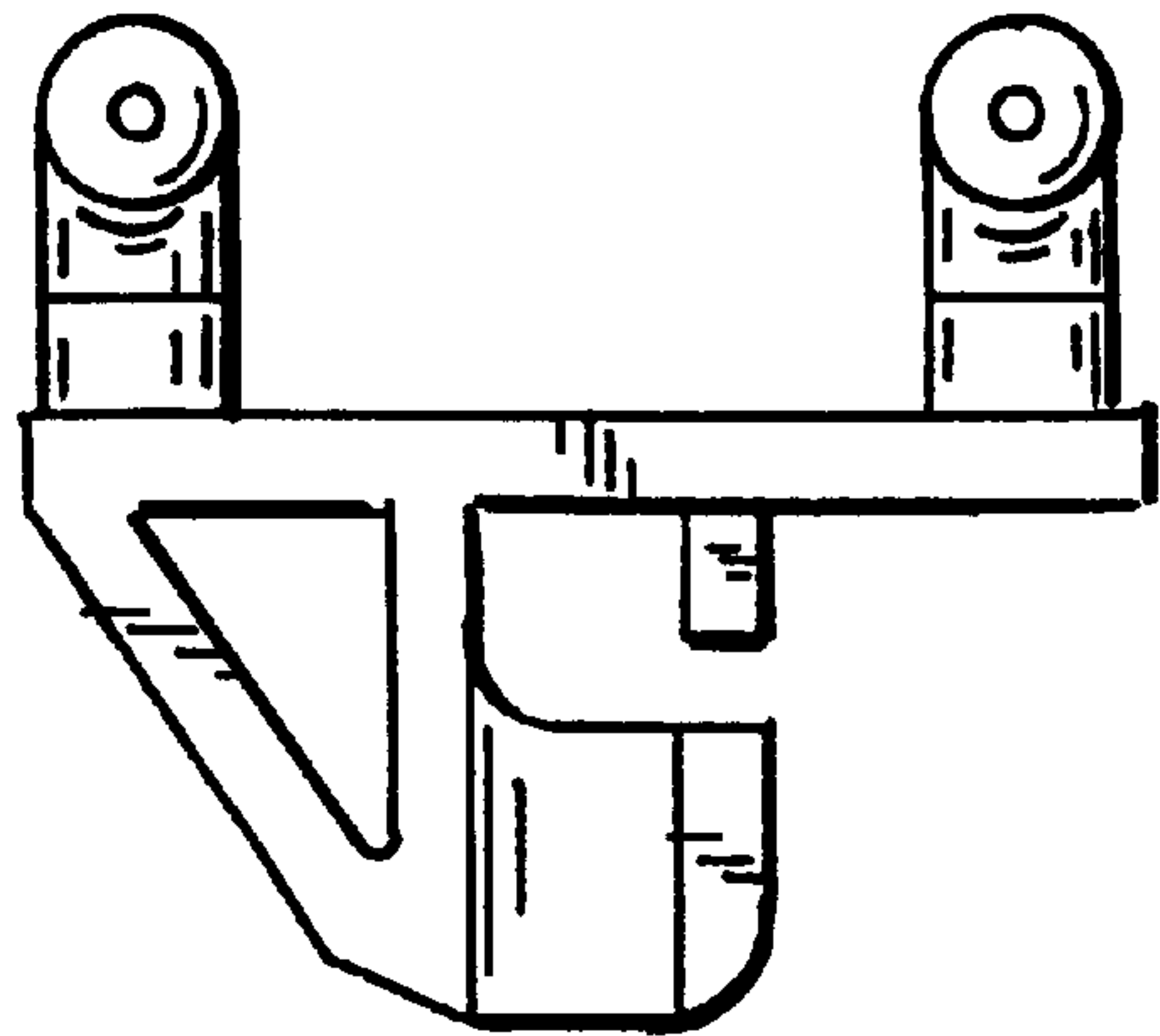


FIG. 7

