



US00D449510B1

(12) **United States Design Patent**  
**Liu**

(10) **Patent No.:** **US D449,510 S**

(45) **Date of Patent:** **\*\* Oct. 23, 2001**

(54) **JACKET PADLOCK**

(76) **Inventor:** **Ten Kao Liu**, No. 22, Lane 5, Da-Lien Road, Pin Tong City (TW)

(\*\*) **Term:** **14 Years**

(21) **Appl. No.:** **29/125,222**

(22) **Filed:** **Jun. 21, 2000**

(51) **LOC (7) Cl.** ..... **08-07**

(52) **U.S. Cl.** ..... **D8/334**

(58) **Field of Search** ..... D8/330, 331, 333, D8/334; 70/14, 20, 21, 31, 35, 38 R, 38 A, 38 B, 38 C, 41-48, 443, 448

(56) **References Cited**

**U.S. PATENT DOCUMENTS**

- D. 38,960 \* 12/1907 Johnson ..... D8/334
- D. 53,141 \* 3/1919 Stone ..... D8/334
- D. 423,324 \* 4/2000 Liu ..... D8/334

\* cited by examiner

*Primary Examiner*—Jennifer Rivard

(74) *Attorney, Agent, or Firm*—Rosenberg, Klein & Lee

(57) **CLAIM**

The ornamental design for a jacket padlock, as shown and described.

**DESCRIPTION**

FIG. 1 is front-right-top perspective view of a jacket padlock, showing my new design;

FIG. 2 is a front elevation view thereof;

FIG. 3 is a rear elevation view thereof;

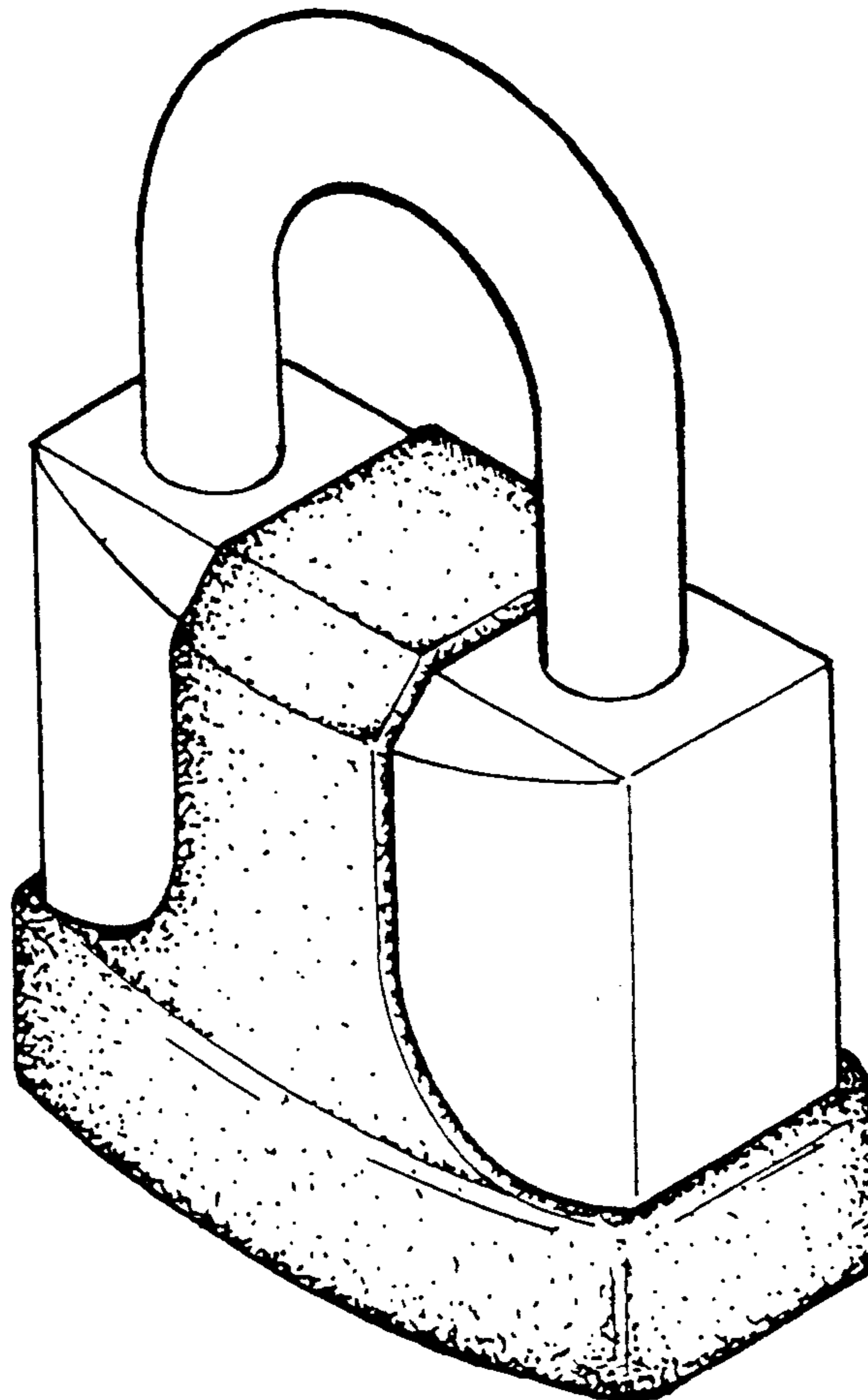
FIG. 4 is a left elevation view thereof;

FIG. 5 is a right elevation view thereof;

FIG. 6 is a top plan view thereof; and,

FIG. 7 is a bottom plan view thereof.

**1 Claim, 3 Drawing Sheets**



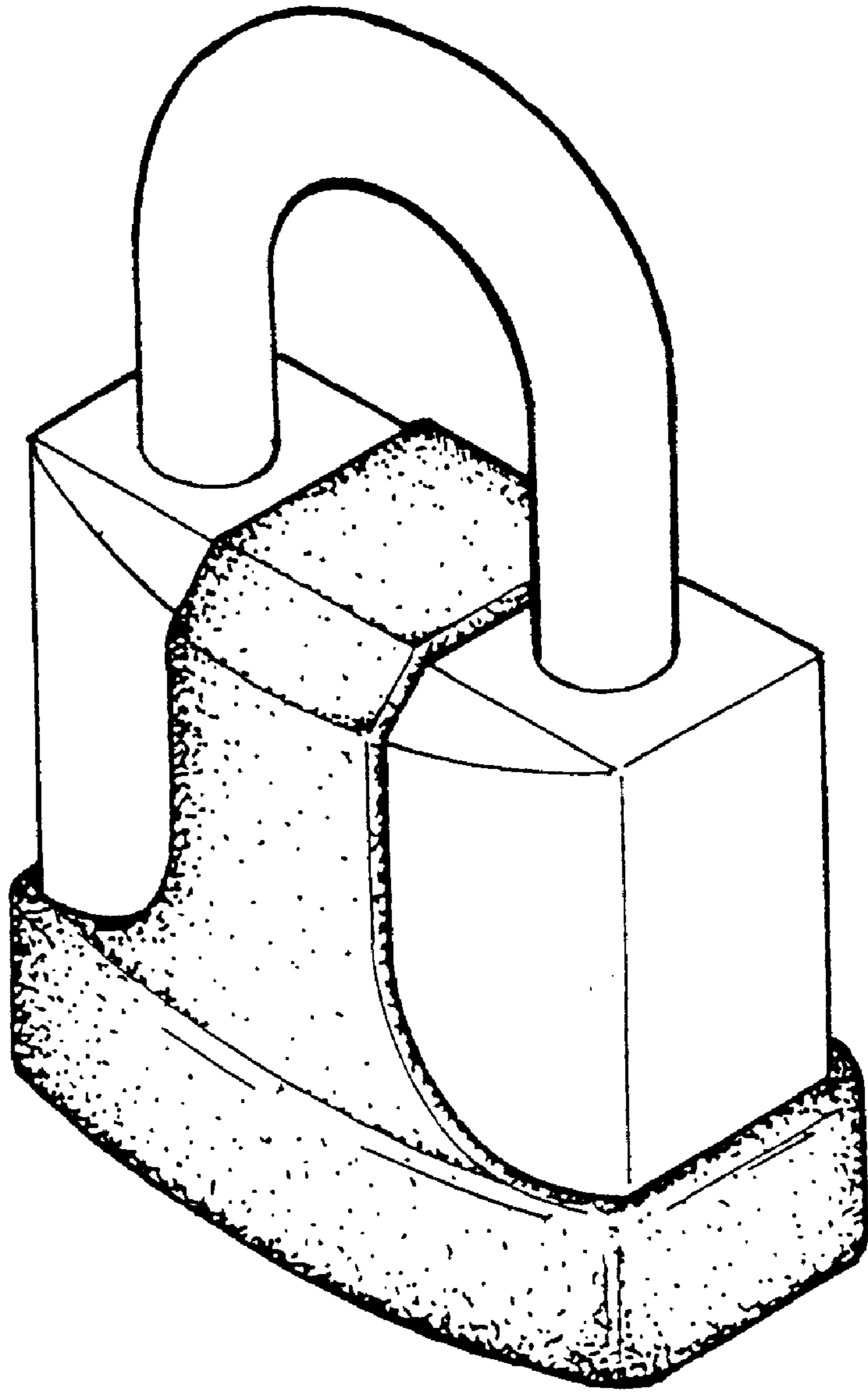


FIG. 1

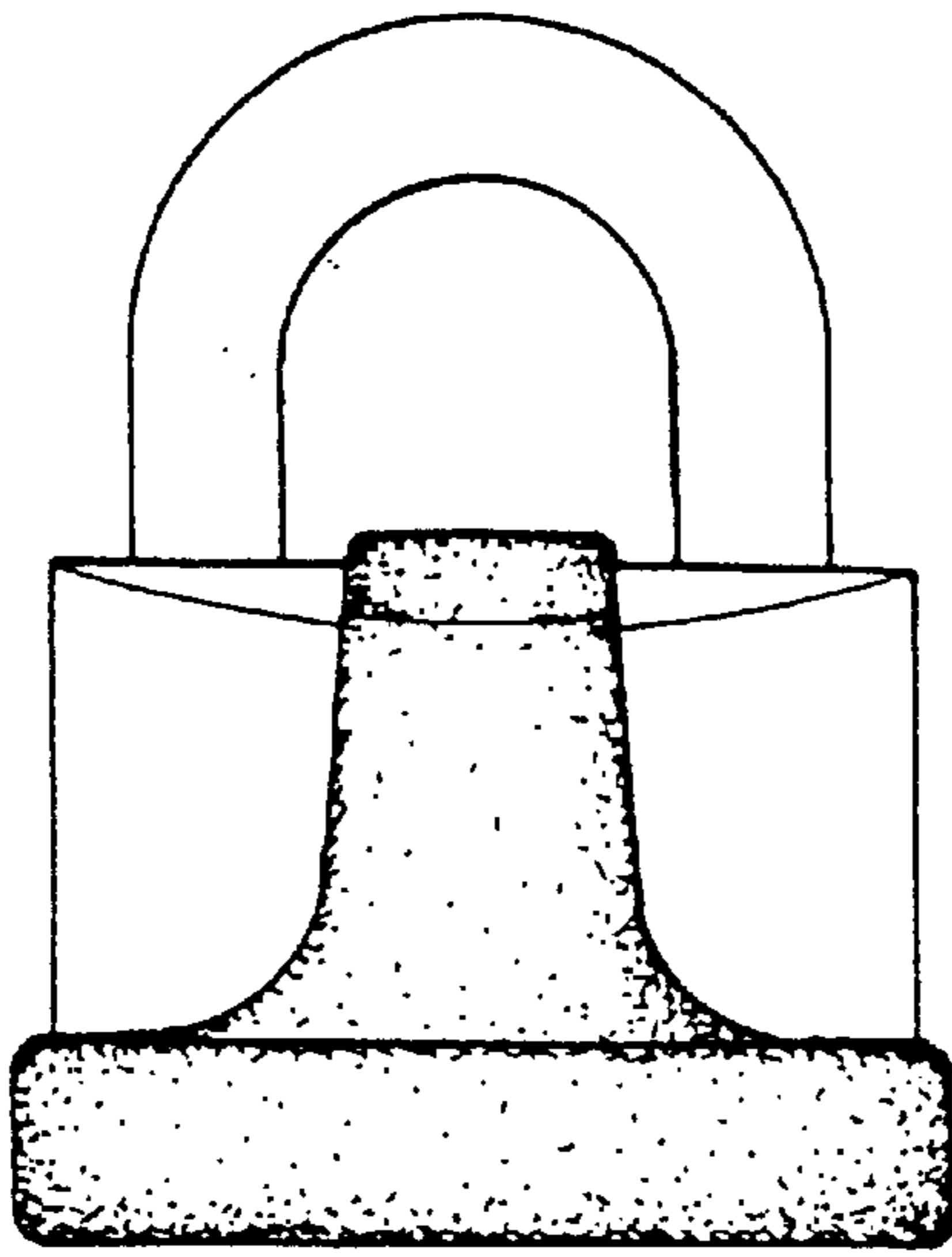


FIG. 2

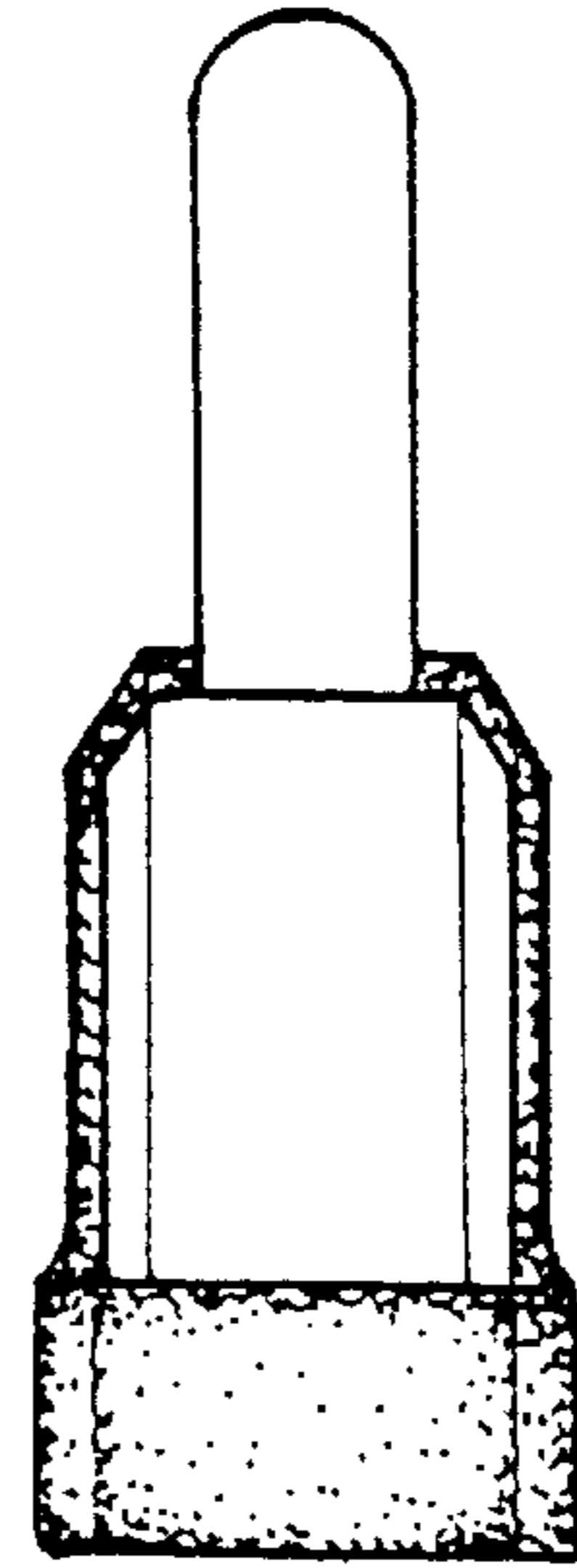


FIG. 4

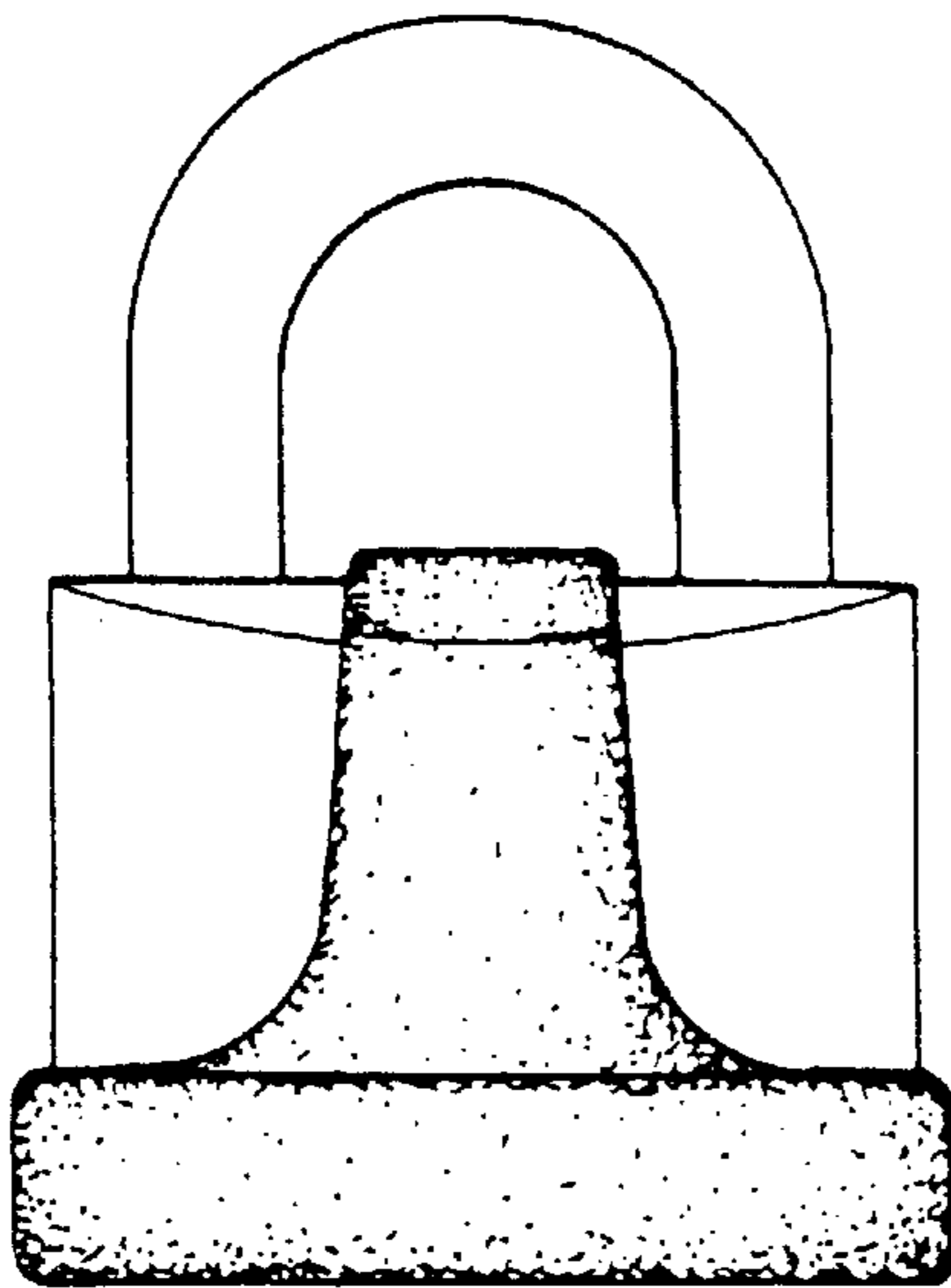


FIG. 3

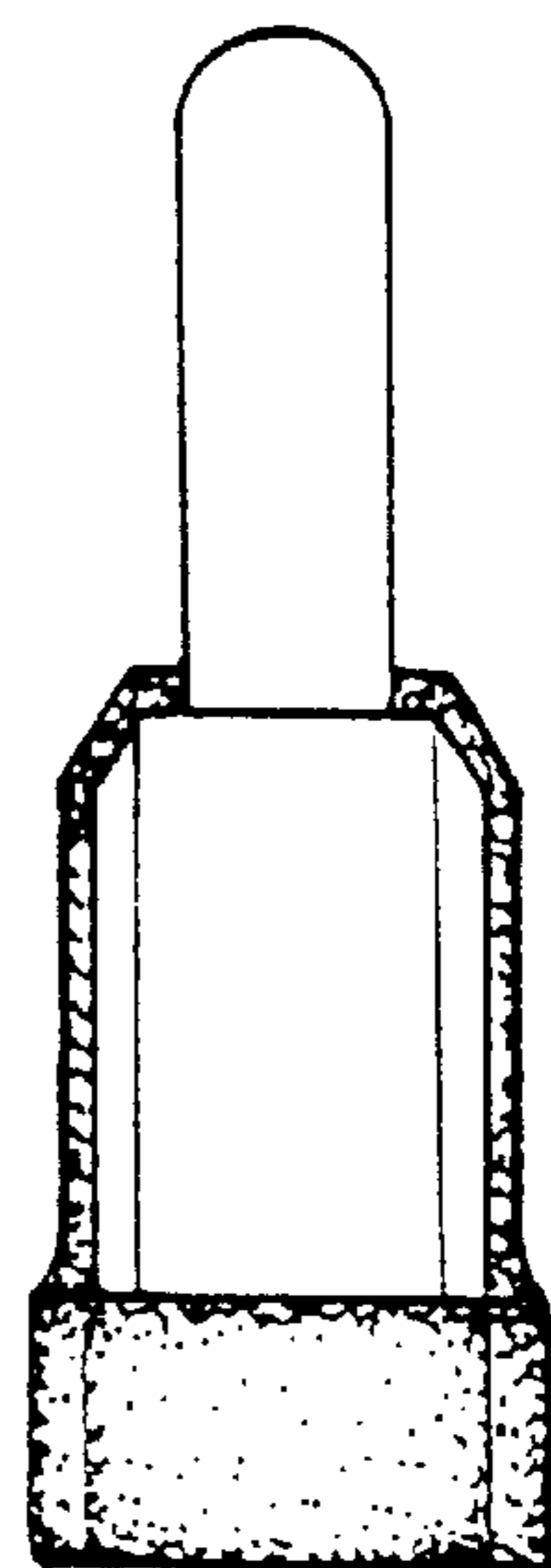


FIG. 5

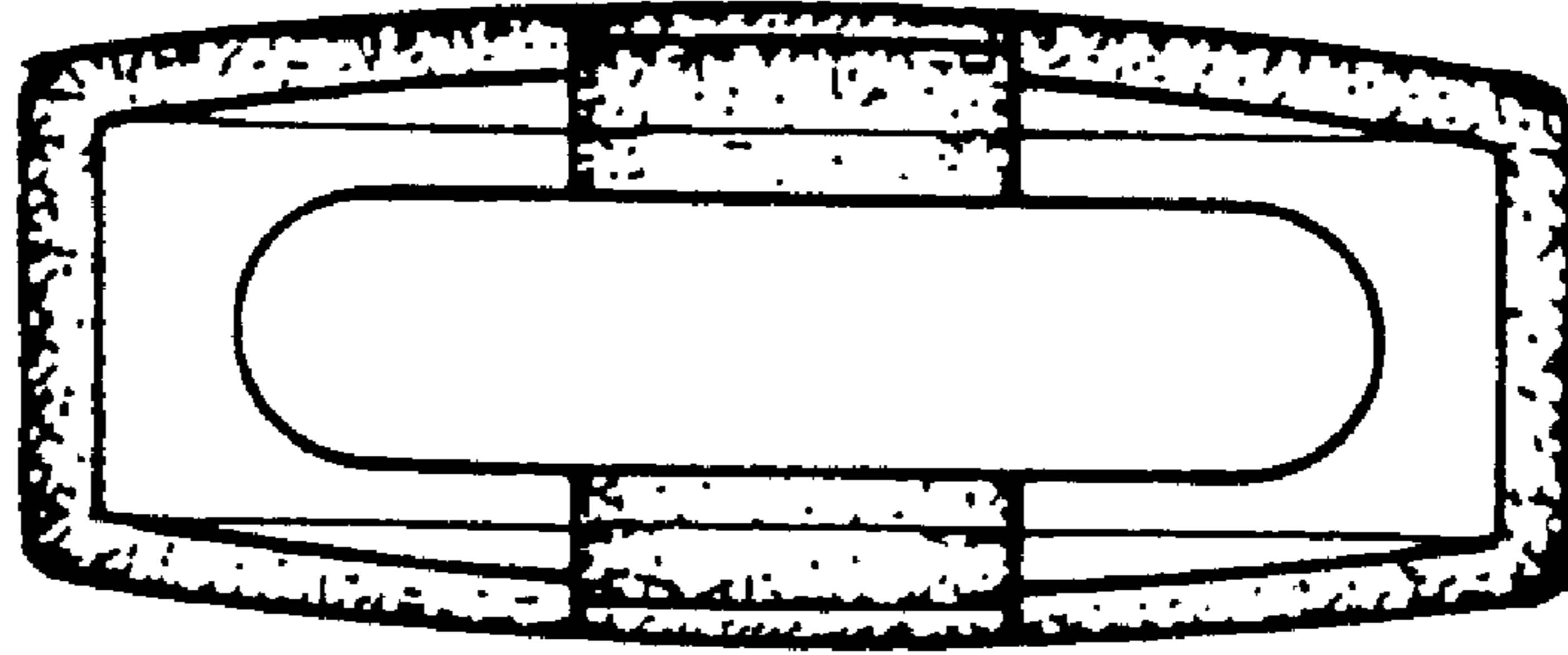


FIG. 6

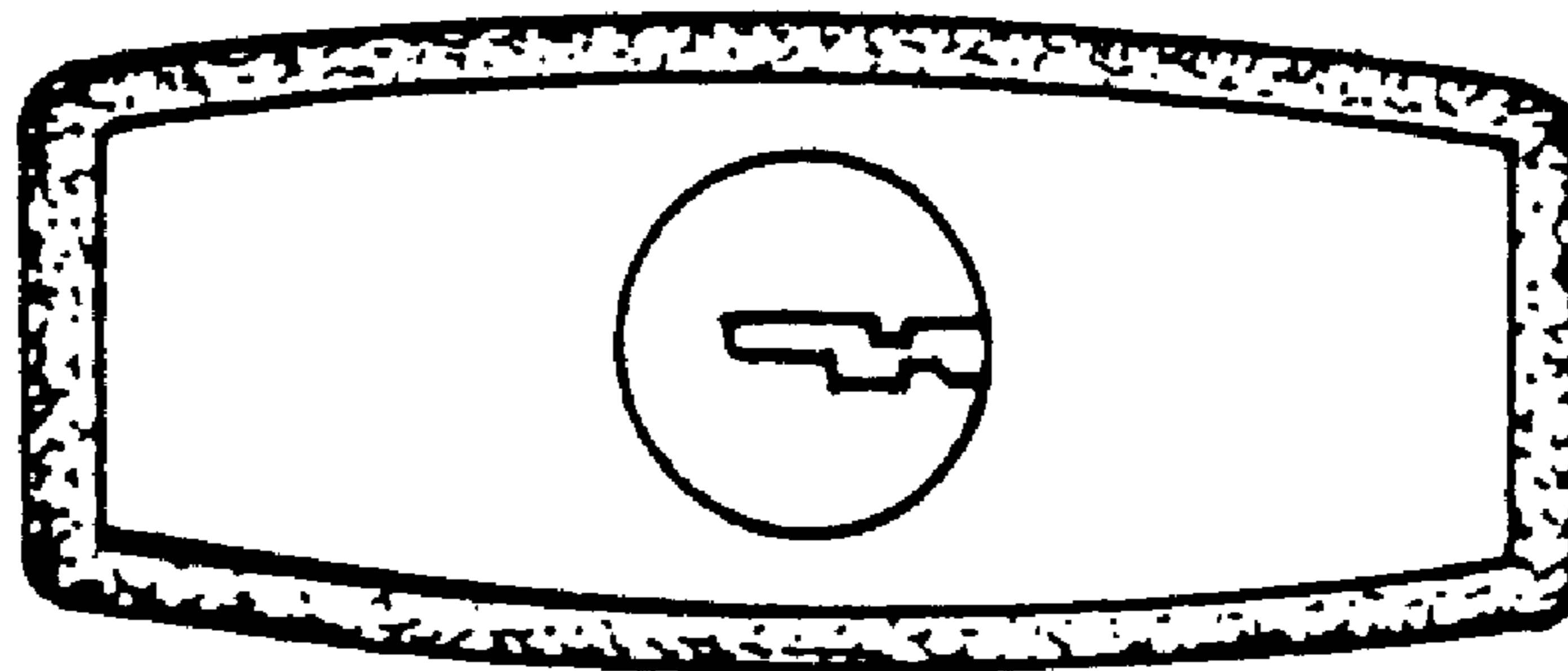


FIG. 7