



US00D449509B1

(12) **United States Design Patent**
Liu

(10) **Patent No.:** **US D449,509 S**

(45) **Date of Patent:** **** Oct. 23, 2001**

(54) **BRASS PADLOCK**

D. 423,908 * 5/2000 Liu D8/334

(76) Inventor: **Ten Kao Liu**, No. 22, Lane 5, Da-Lien Road, Pin Tong City (TW)

* cited by examiner

(**) Term: **14 Years**

Primary Examiner—Jennifer Rivard

(74) *Attorney, Agent, or Firm*—Rosenberg, Klein & Lee

(21) Appl. No.: **29/125,221**

(57) **CLAIM**

(22) Filed: **Jun. 21, 2000**

The ornamental design for a brass padlock, as shown and described.

(51) **LOC (7) Cl.** **08-07**

DESCRIPTION

(52) **U.S. Cl.** **D8/334**

FIG. 1 is front-right-top perspective view of a brass padlock, showing my new design;

(58) **Field of Search** D8/330, 331, 333, D8/334; 70/14, 20, 21, 31, 35, 38 R, 38 A, 38 B, 38 C, 41–48, 443, 448

FIG. 2 is a front elevation view thereof;

FIG. 3 is a rear elevation view thereof;

FIG. 4 is a left elevation view thereof;

FIG. 5 is a right elevation view thereof;

FIG. 6 is a top plan view thereof; and,

FIG. 7 is a bottom plan view thereof.

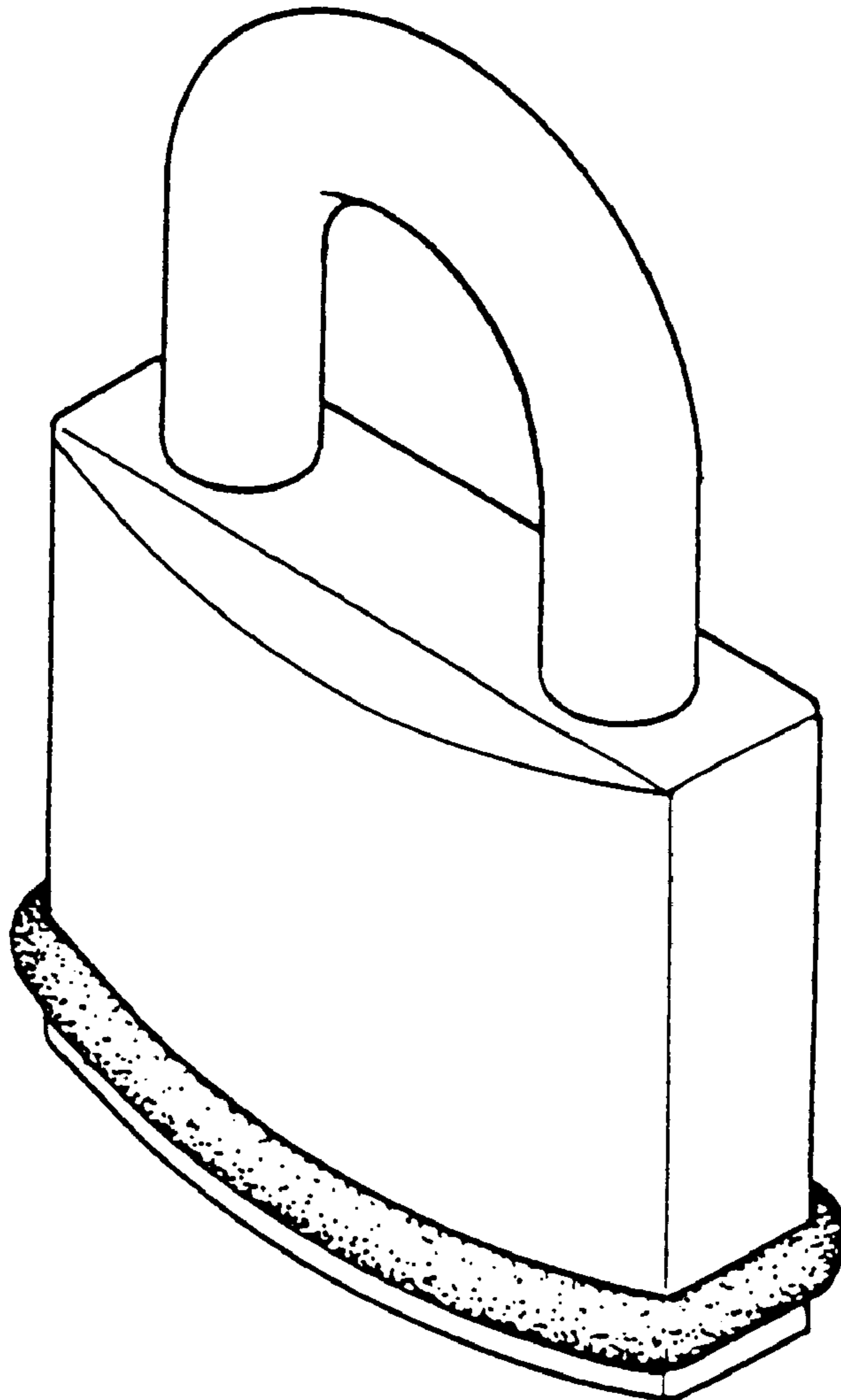
(56) **References Cited**

U.S. PATENT DOCUMENTS

D. 38,960 * 12/1907 Johnson D8/334

D. 53,141 * 3/1919 Stone D8/334

1 Claim, 3 Drawing Sheets



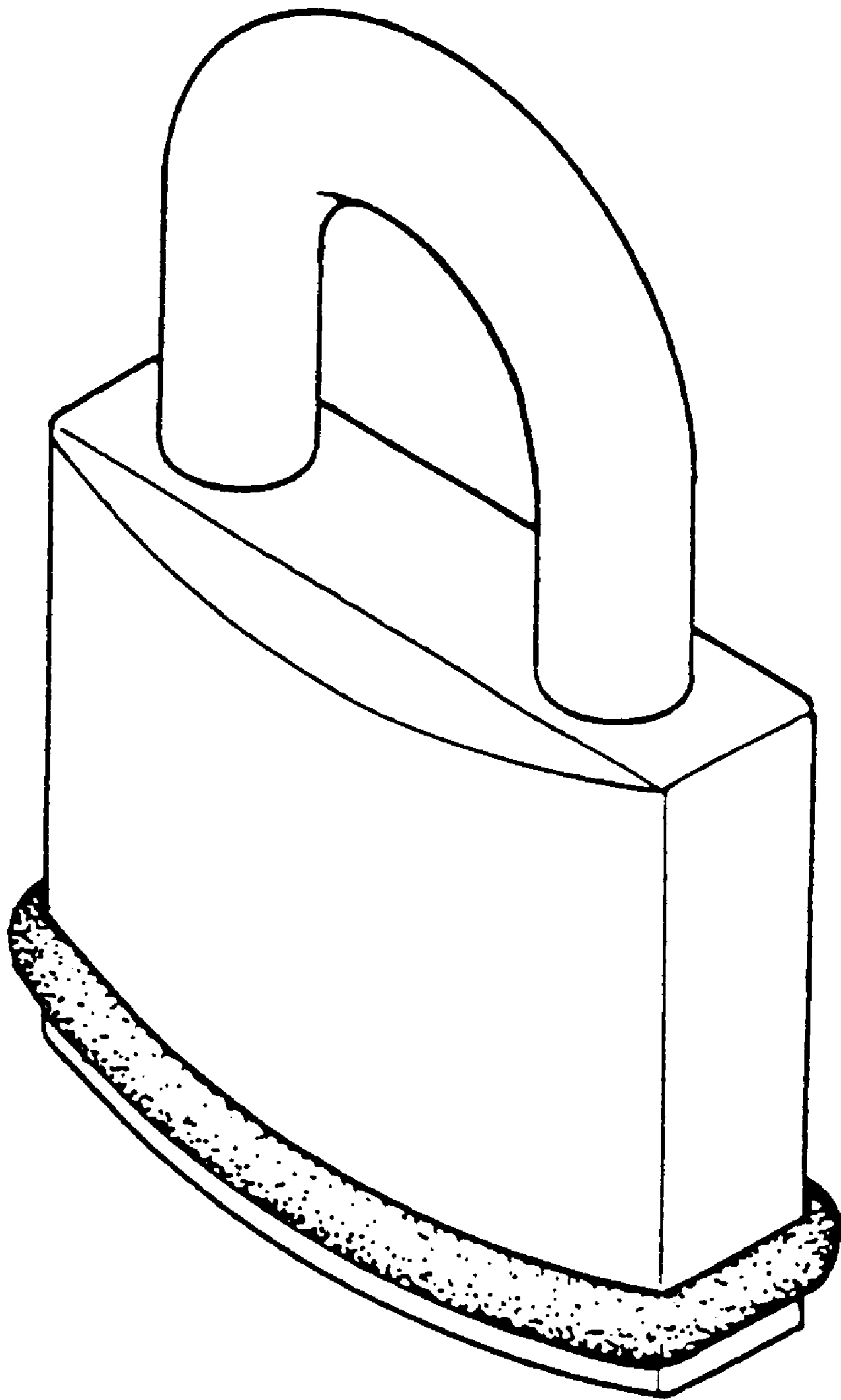


FIG. 1

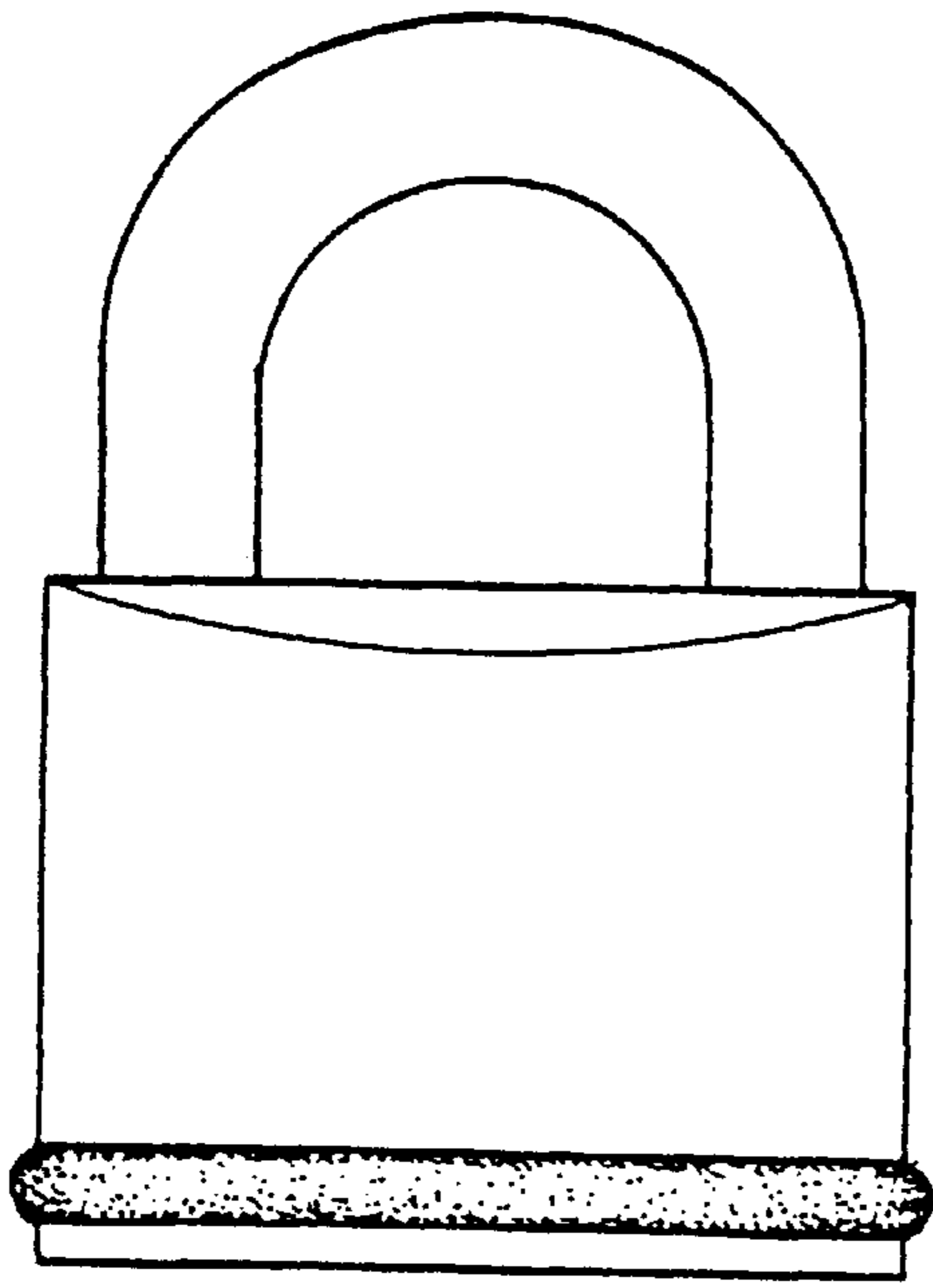


FIG. 2

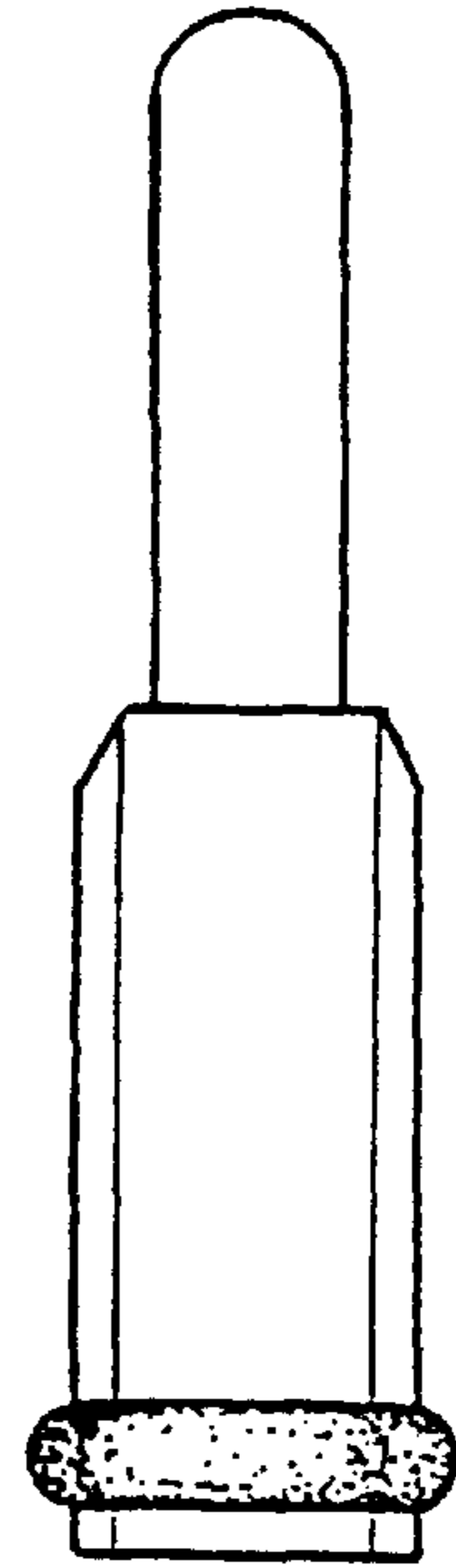


FIG. 4

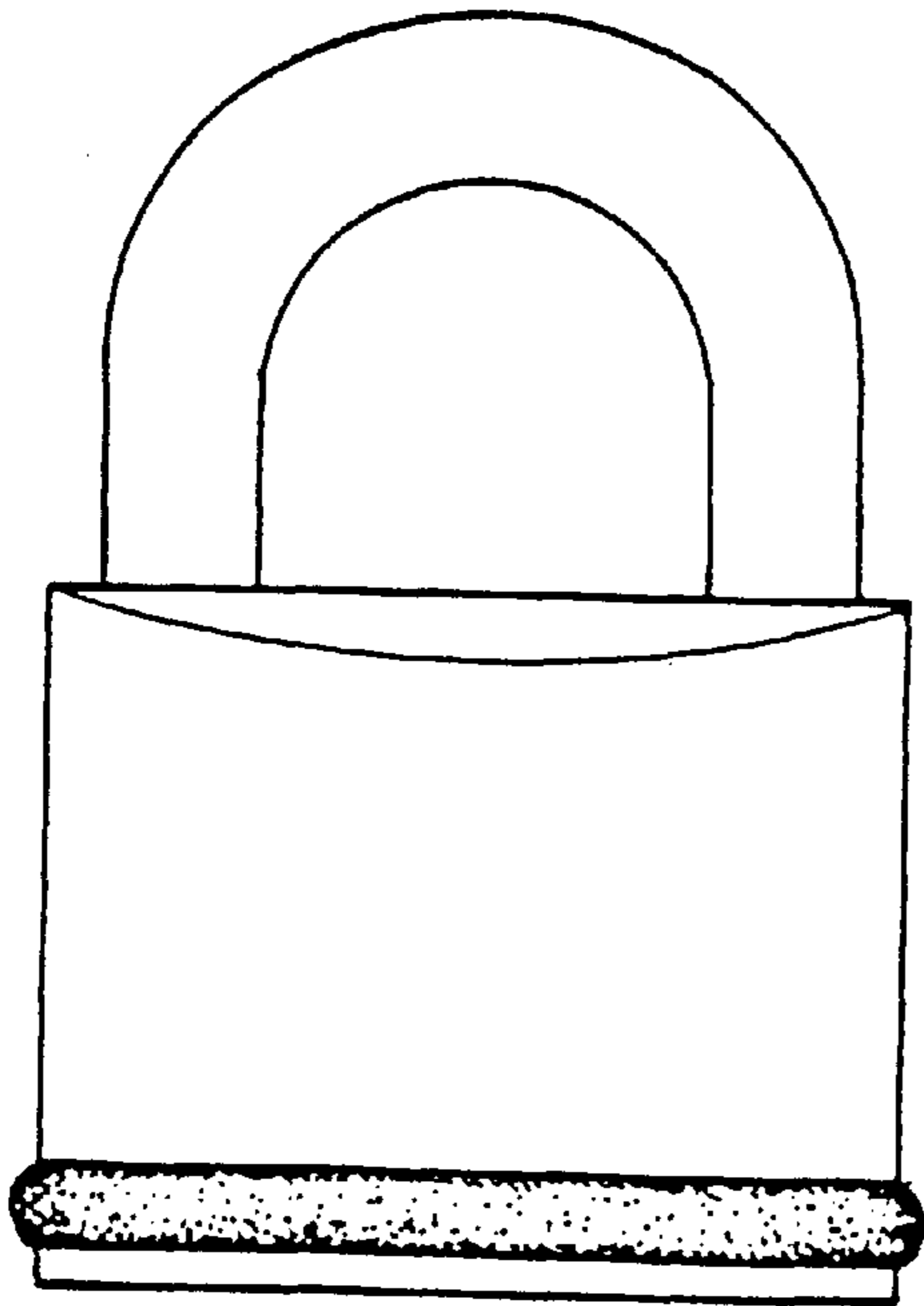


FIG. 3

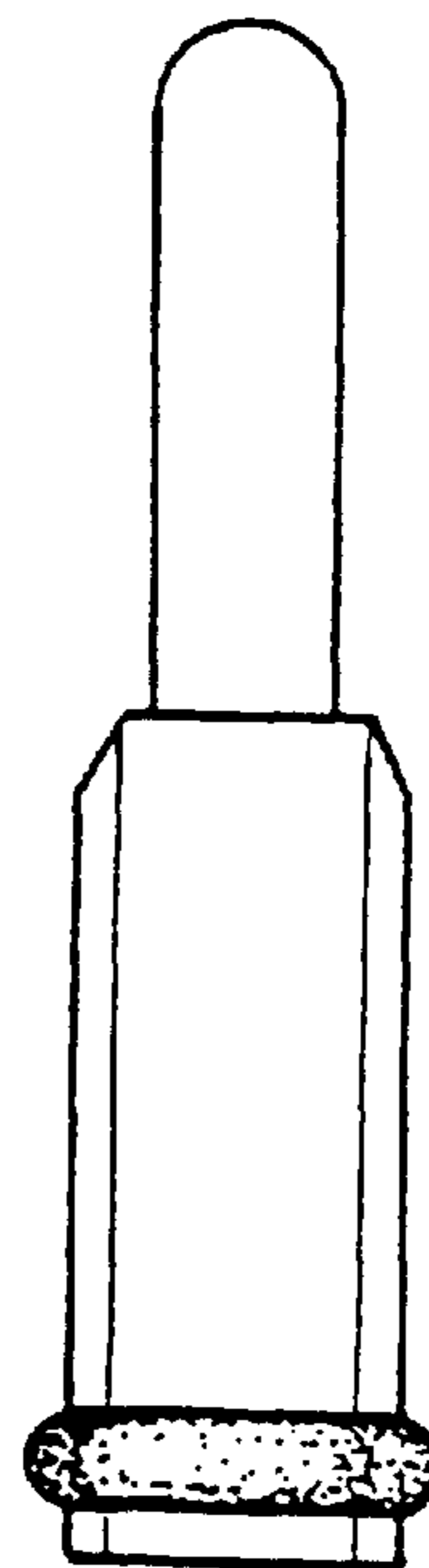


FIG. 5



FIG. 6

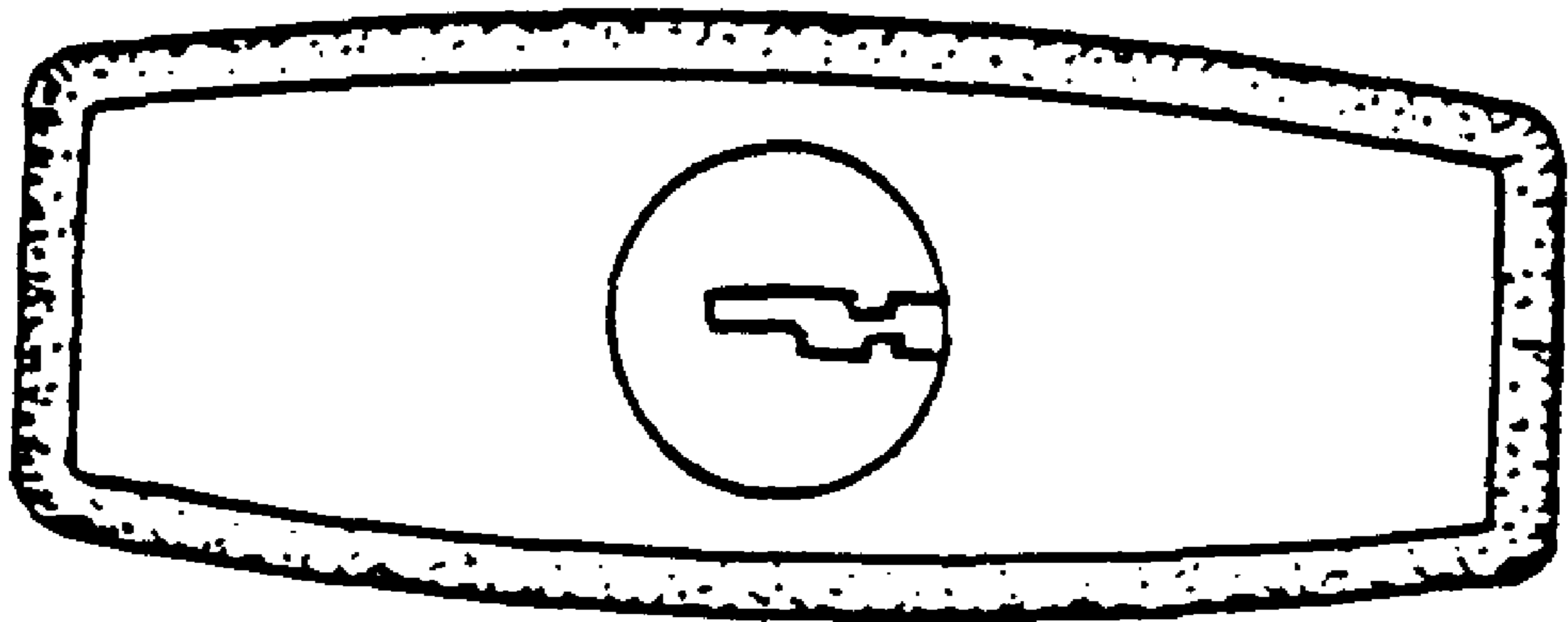


FIG. 7