



US00D449507B1

(12) **United States Design Patent**  
**Jean et al.**

(10) **Patent No.:** **US D449,507 S**

(45) **Date of Patent:** **\*\* Oct. 23, 2001**

(54) **TOOL KIT**

(76) Inventors: **John Kai Jean**, 1F, No. 15, Alley 36,  
Lane 17, He-Ping Rd., Lu-Chou City;  
**Henry Lin**, 3F, No. 329, Lung-Chiang  
Rd., Taipei, both of (TW)

(\*\*) Term: **14 Years**

(21) Appl. No.: **29/124,546**

(22) Filed: **Jun. 8, 2000**

(51) **LOC (7) Cl.** ..... **08-05**

(52) **U.S. Cl.** ..... **D8/105; D10/62**

(58) **Field of Search** ..... D8/14, 21, 26,  
D8/27, 28, 29, 40, 43, 45, 55, 81, 87, 105,  
107; D10/62, 65, 68, 78; D32/40, 46, 49,  
7, 105, 118, 143, 147, 155, 164, 167, 168,  
169, 170; 15/105, 121, 236.01, 236.03,  
236.05, 236.07, 236.08, 236.09; 30/143,  
152, 153, 155, 161, 164; 33/319, 354, 355 R;  
81/20, 21, 98, 99, 440, 490; 206/234, 803;  
346/8; 368/10, 28, 29, 82, 83, 101, 239,  
242, 276, 277, 278; 446/28

(56) **References Cited**

**U.S. PATENT DOCUMENTS**

D. 196,934 \* 11/1963 Grushon ..... D10/68

D. 245,071 \* 7/1977 Kong ..... D10/62  
D. 283,682 \* 5/1986 Raitmaa ..... D10/62  
D. 283,683 \* 5/1986 Raitmaa ..... D10/62  
D. 350,906 \* 9/1994 Passio ..... D10/65

\* cited by examiner

*Primary Examiner*—Doris V. Coles

*Assistant Examiner*—T. Chase Nelson

(74) *Attorney, Agent, or Firm*—Bacon & Thomas, PLLC

(57) **CLAIM**

The ornamental design for tool kit, as shown and described.

**DESCRIPTION**

FIG. 1 is a perspective view of tool kit showing our new design;

FIG. 2 is a right side elevational view thereof;

FIG. 3 is a top plan view thereof;

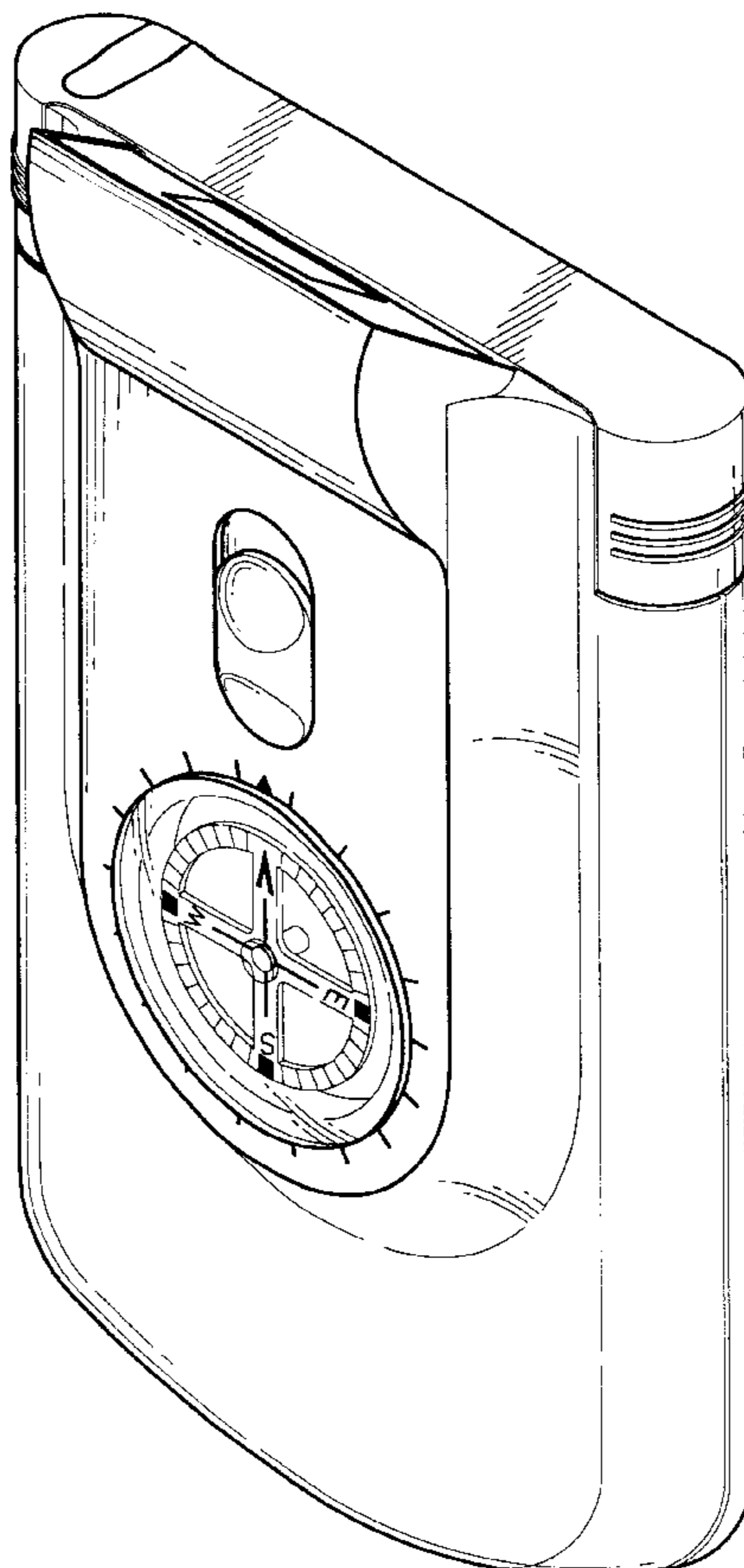
FIG. 4 is a front side elevational view thereof;

FIG. 5 is a bottom plan view thereof;

FIG. 6 is a left side elevational view thereof; and,

FIG. 7 is a rear side elevational view thereof.

**1 Claim, 6 Drawing Sheets**



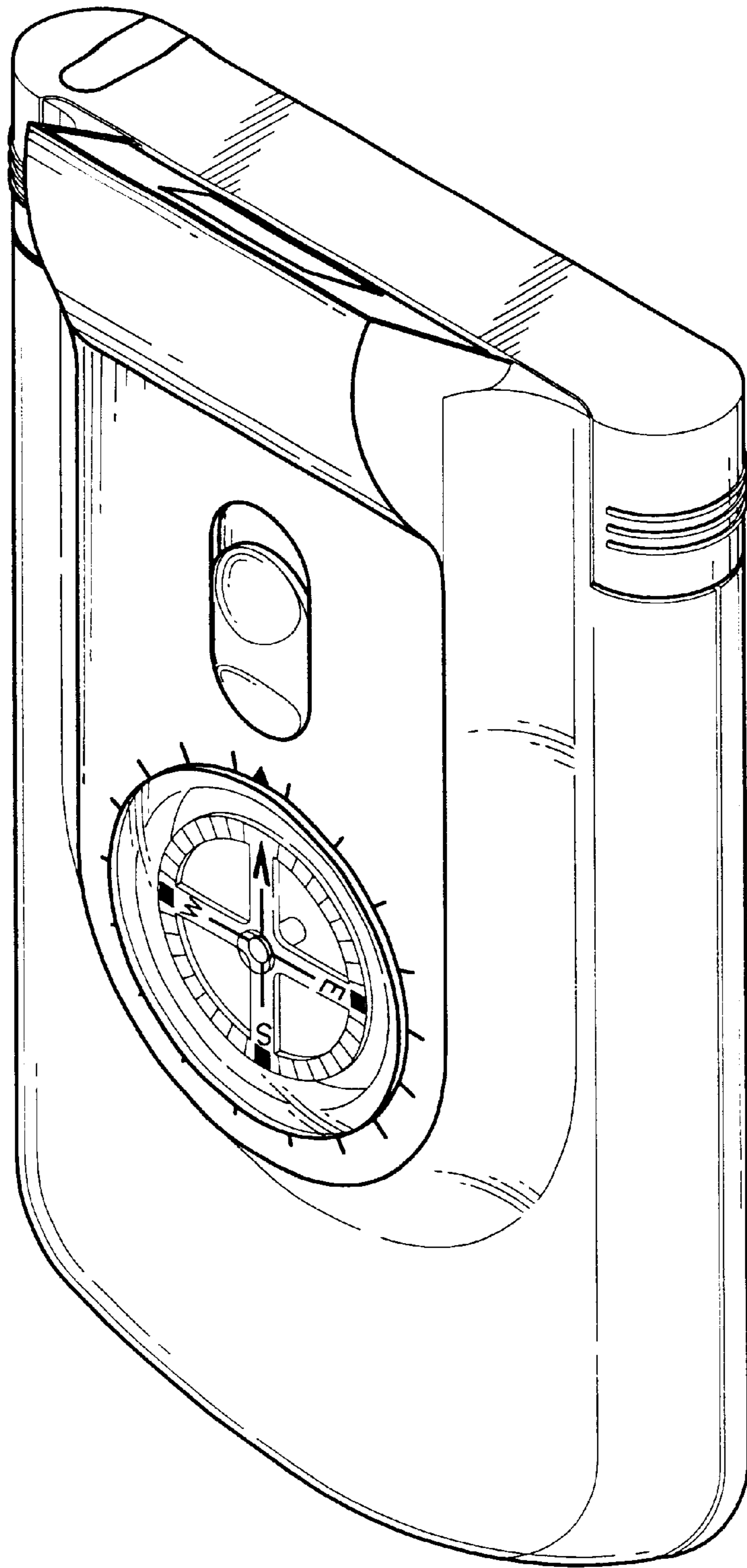


Fig. 1

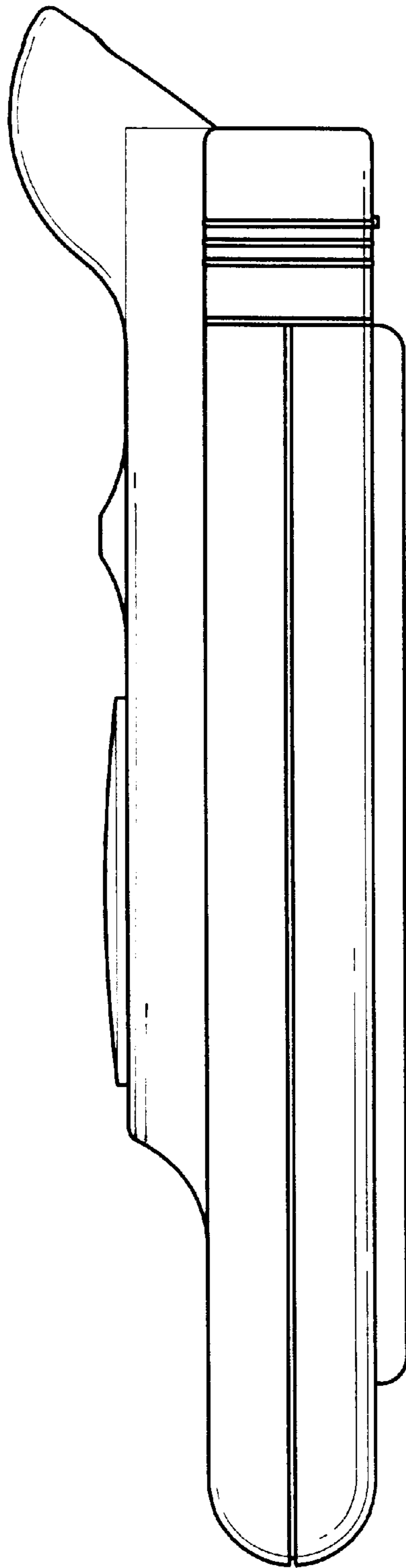


Fig. 2

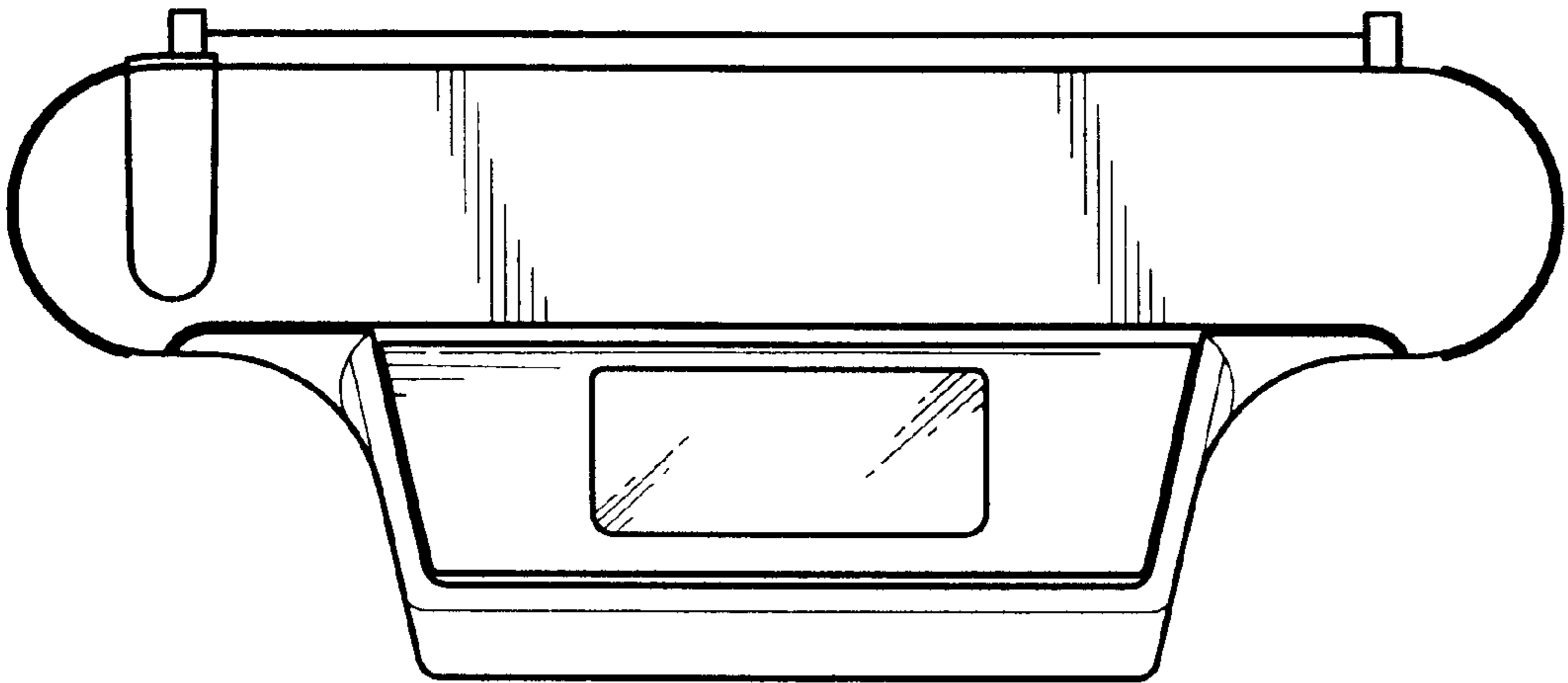


Fig. 3

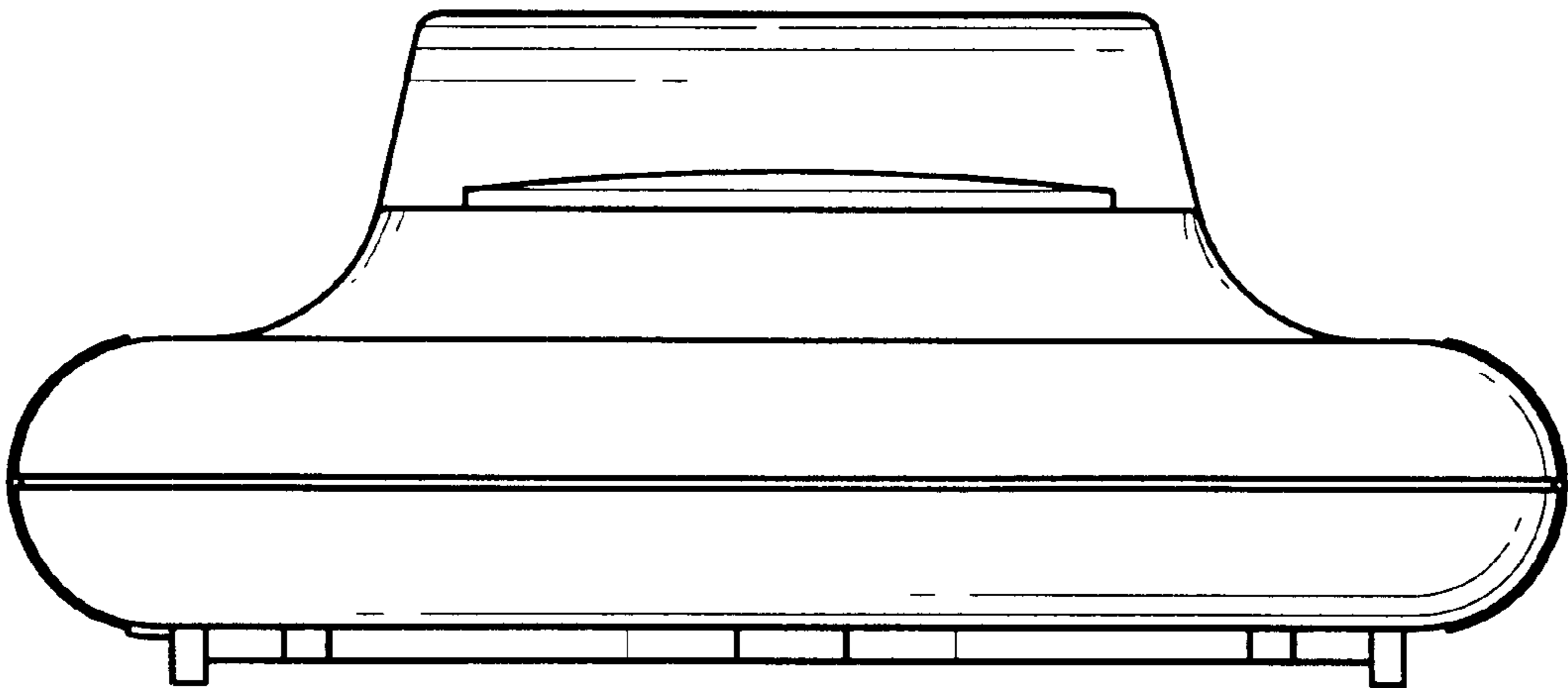


Fig. 5

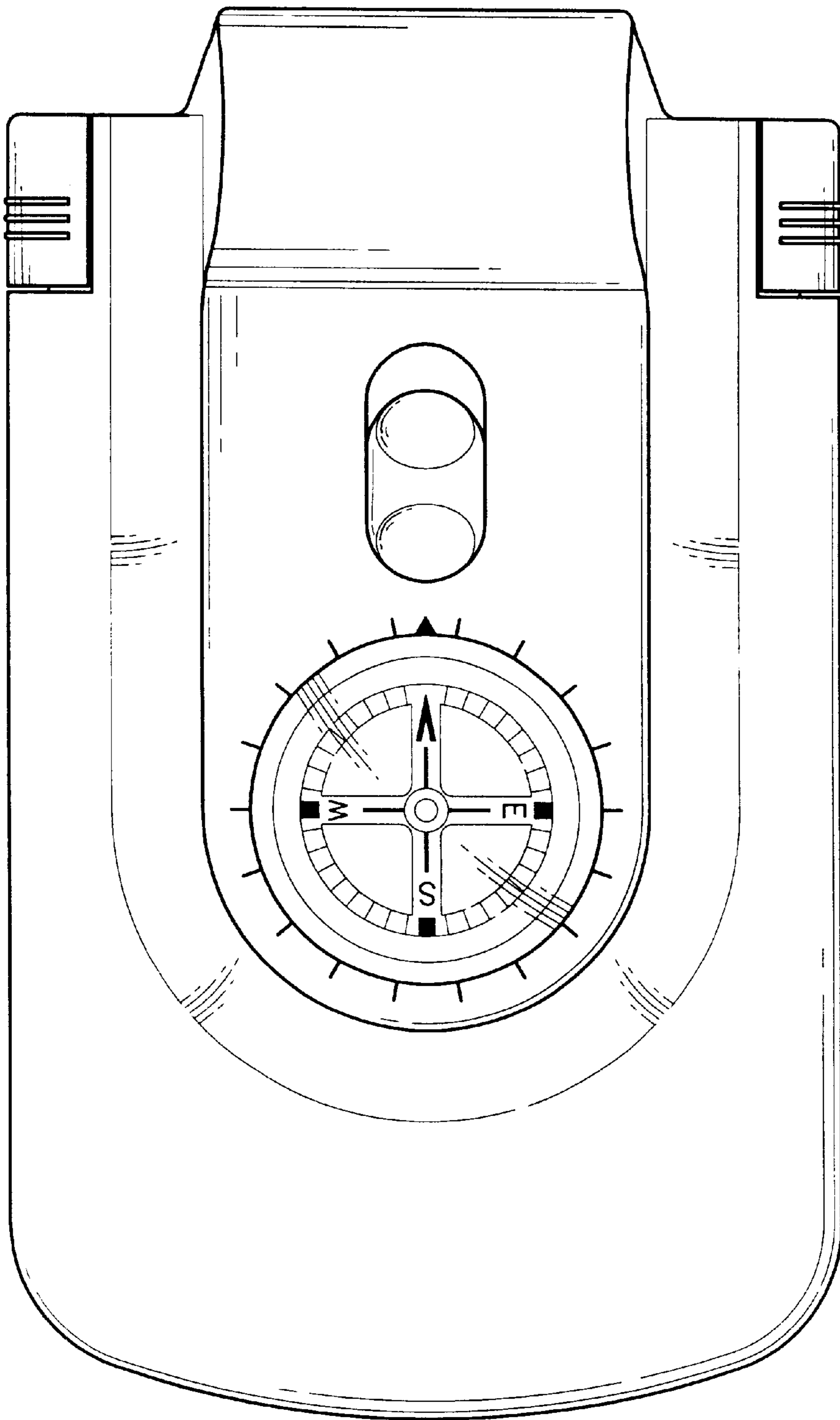


Fig. 4

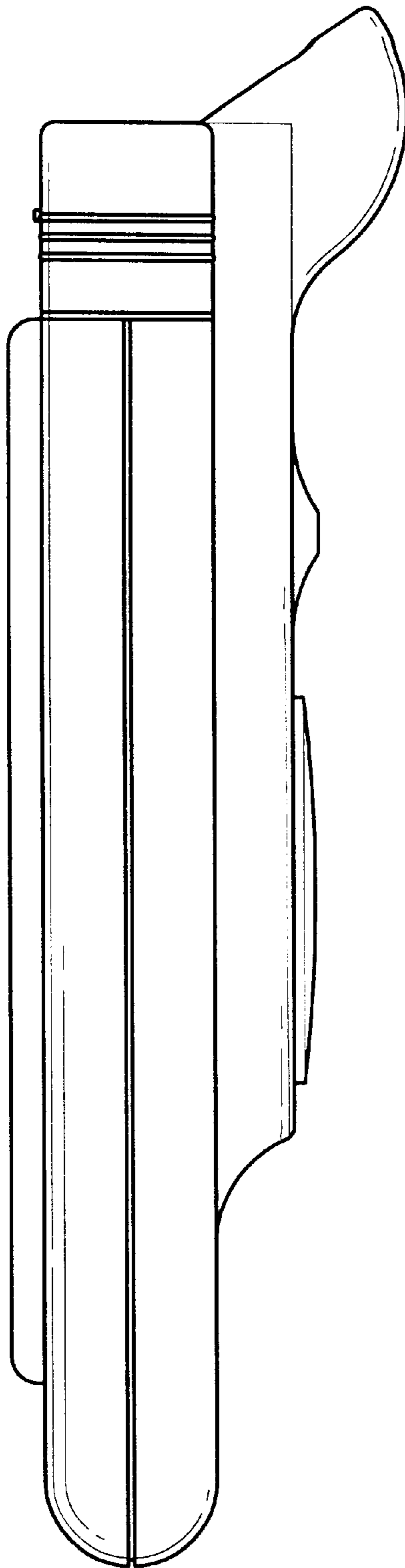


Fig. 6

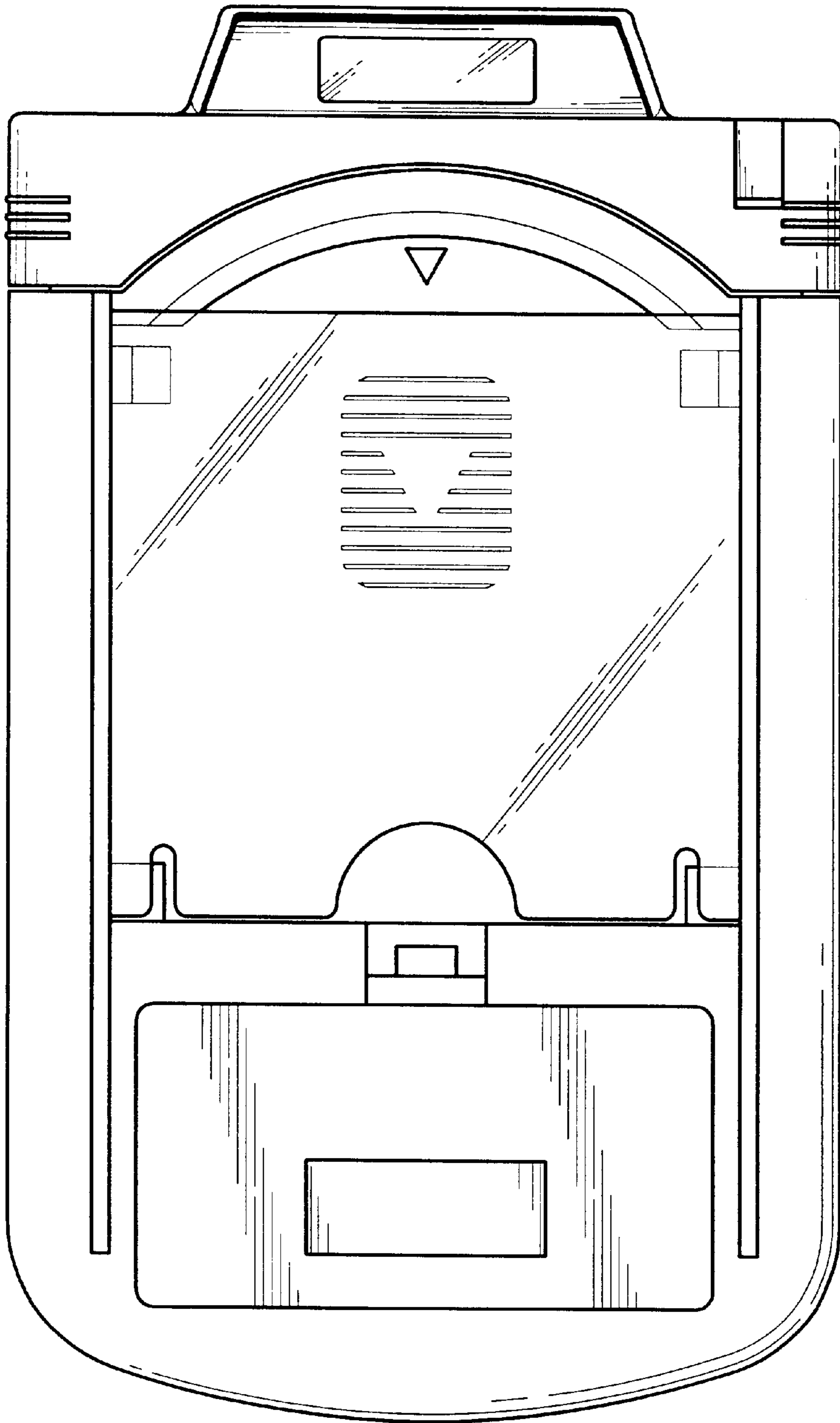


Fig. 7