



US00D449504B1

(12) **United States Design Patent**
Boyle et al.

(10) **Patent No.:** **US D449,504 S**

(45) **Date of Patent:** **** Oct. 23, 2001**

(54) **ROTARY TOOL HOLDER**

(75) Inventors: **David C. Boyle**, Severna Park;
Timothy T. McKenzie, Baltimore, both
of MD (US)

(73) Assignee: **Black & Decker Inc.**, Newark, DE
(US)

(**) Term: **14 Years**

(21) Appl. No.: **29/120,103**

(22) Filed: **Mar. 10, 2000**

(51) **LOC (7) Cl.** **08-05**

(52) **U.S. Cl.** **D8/70**

(58) **Field of Search** D8/70; 409/232,
409/234, 131, 141; D15/140; 408/239 R,
240, 238, 143; 279/49

(56) **References Cited**

U.S. PATENT DOCUMENTS

D. 415,180	*	10/1999	Rosanwo	D8/70
D. 429,262	*	8/2000	Streich	D8/70
632,560		9/1899	Furbish	.	
2,806,706		9/1957	Fitch	.	
3,583,715		6/1971	Jahlrl	279/75
4,146,240	*	3/1979	Neilsen	408/239 R
4,629,375		12/1986	Lieser	408/239 A
4,692,073		9/1987	Martindell	408/239 A
4,710,079		12/1987	Smith et al.	409/234

4,991,859	*	2/1991	Rohm	408/240
5,062,749		11/1991	Sheets	408/240
5,462,293	*	10/1995	Samelius et al.	408/143
5,470,180		11/1995	Jore	408/239 R
6,155,576	*	12/2000	Yorde	279/49
6,186,712	*	2/2001	Senzaki	409/234

FOREIGN PATENT DOCUMENTS

685300 12/1995 (EP) .

* cited by examiner

Primary Examiner—Philip S. Hyder

(74) *Attorney, Agent, or Firm*—Harness, Dickey & Pierce,
P.L.C.

(57) **CLAIM**

The ornamental design for a rotary tool holder, as shown and described.

DESCRIPTION

FIG. 1 is a front perspective view of a rotary tool holder with a bit shown in shadow;

FIG. 2 is a front perspective view of the rotary tool holder;

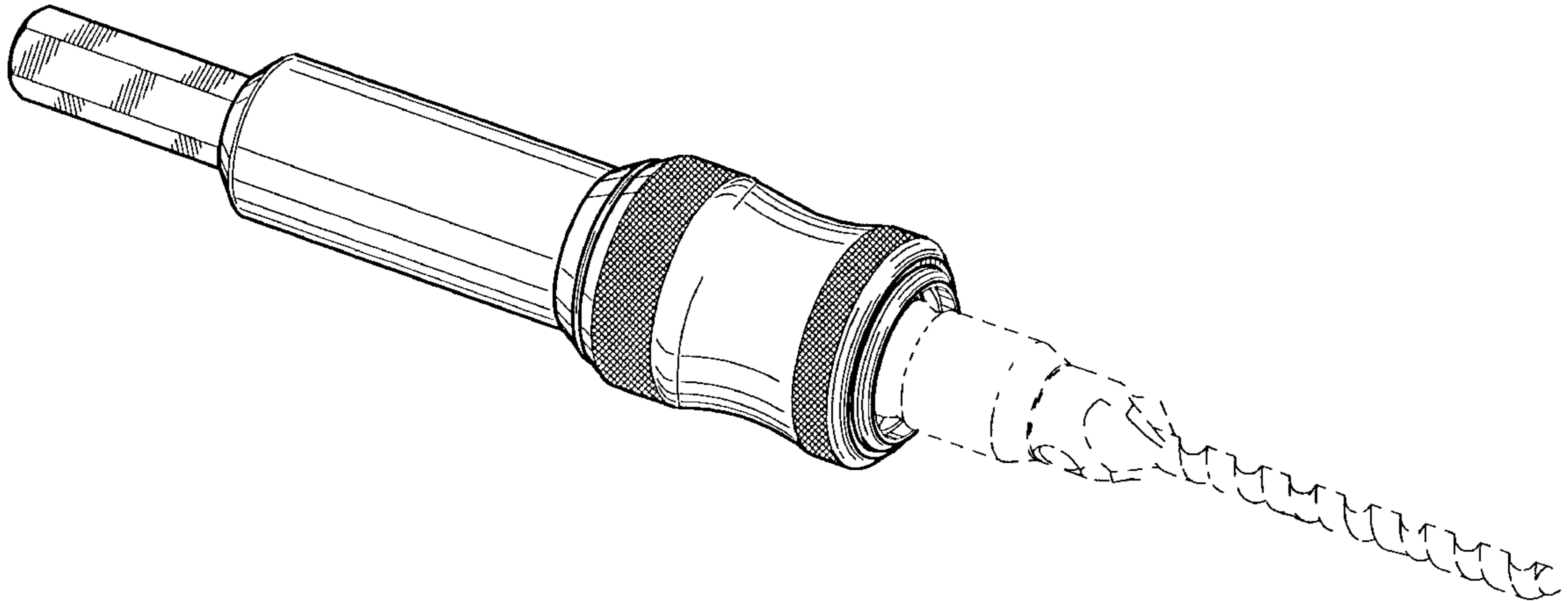
FIG. 3 is a right side view of the rotary tool holder with the left side view being a mirror image thereof;

FIG. 4 is a front view thereof; and,

FIG. 5 is a rear view thereof.

The broken line showing of the tool bit is for illustrative purposes only and forms no part of the claimed design.

1 Claim, 2 Drawing Sheets



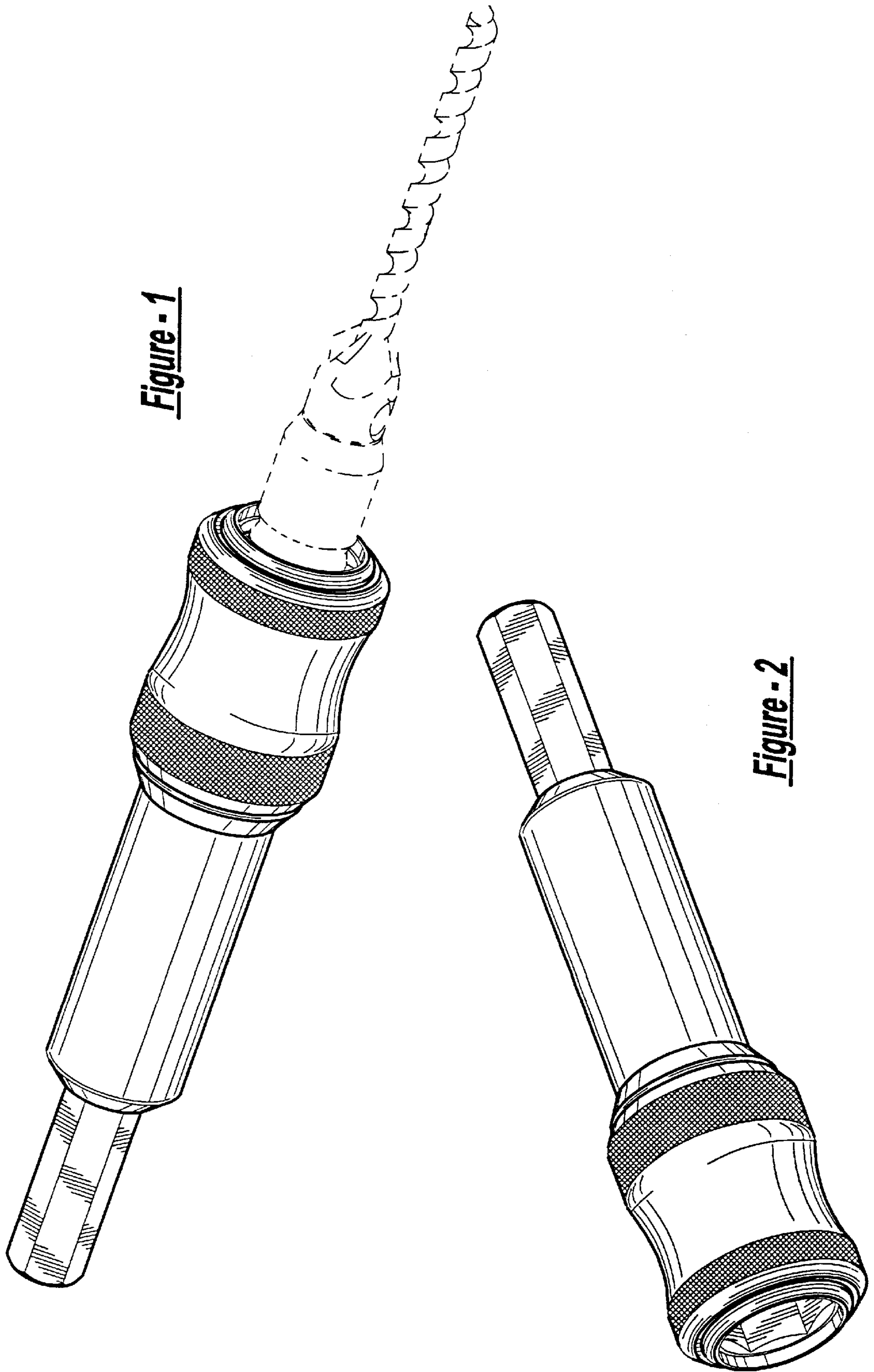


Figure - 1

Figure - 2

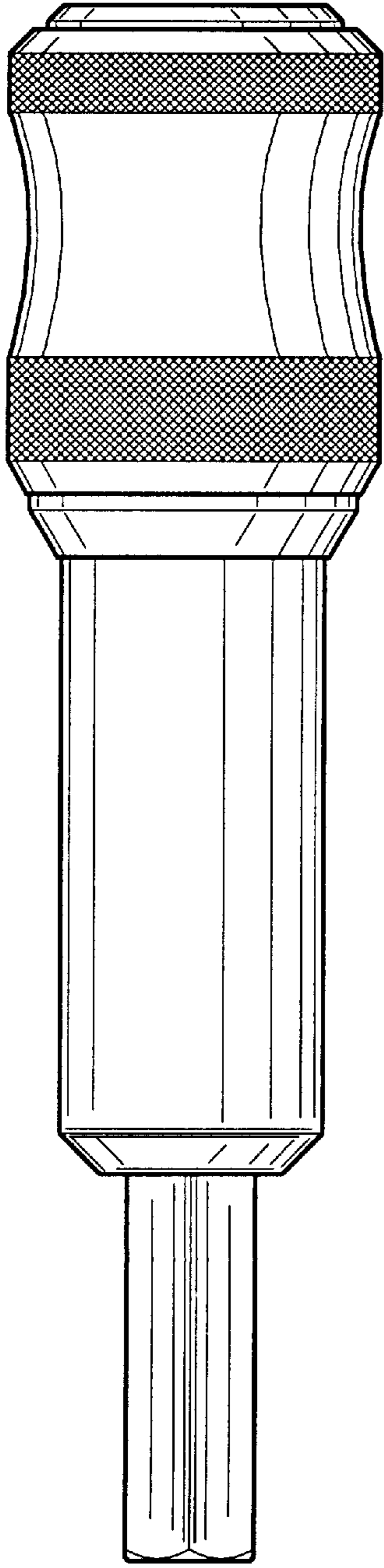


Figure - 3

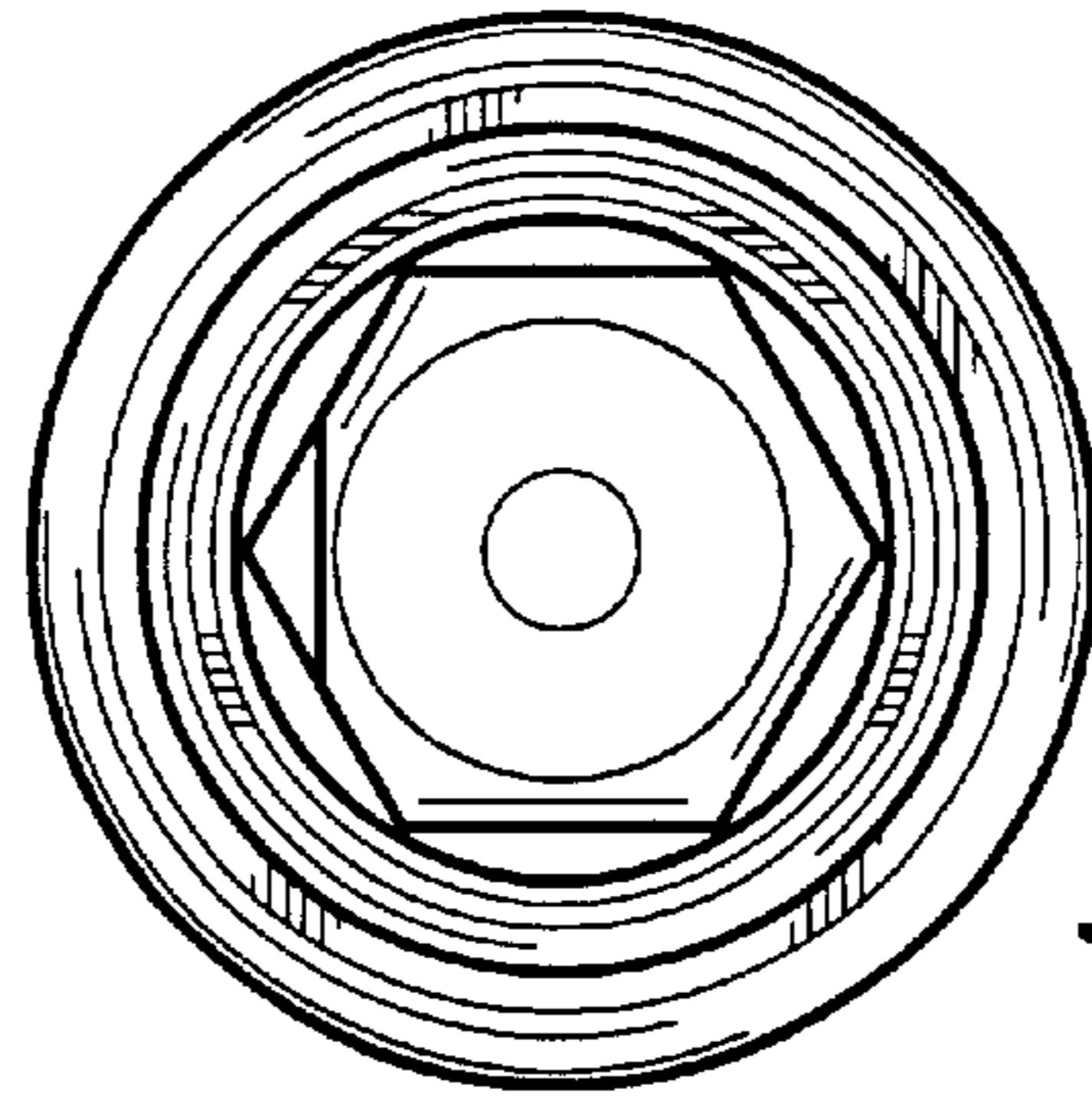


Figure - 4

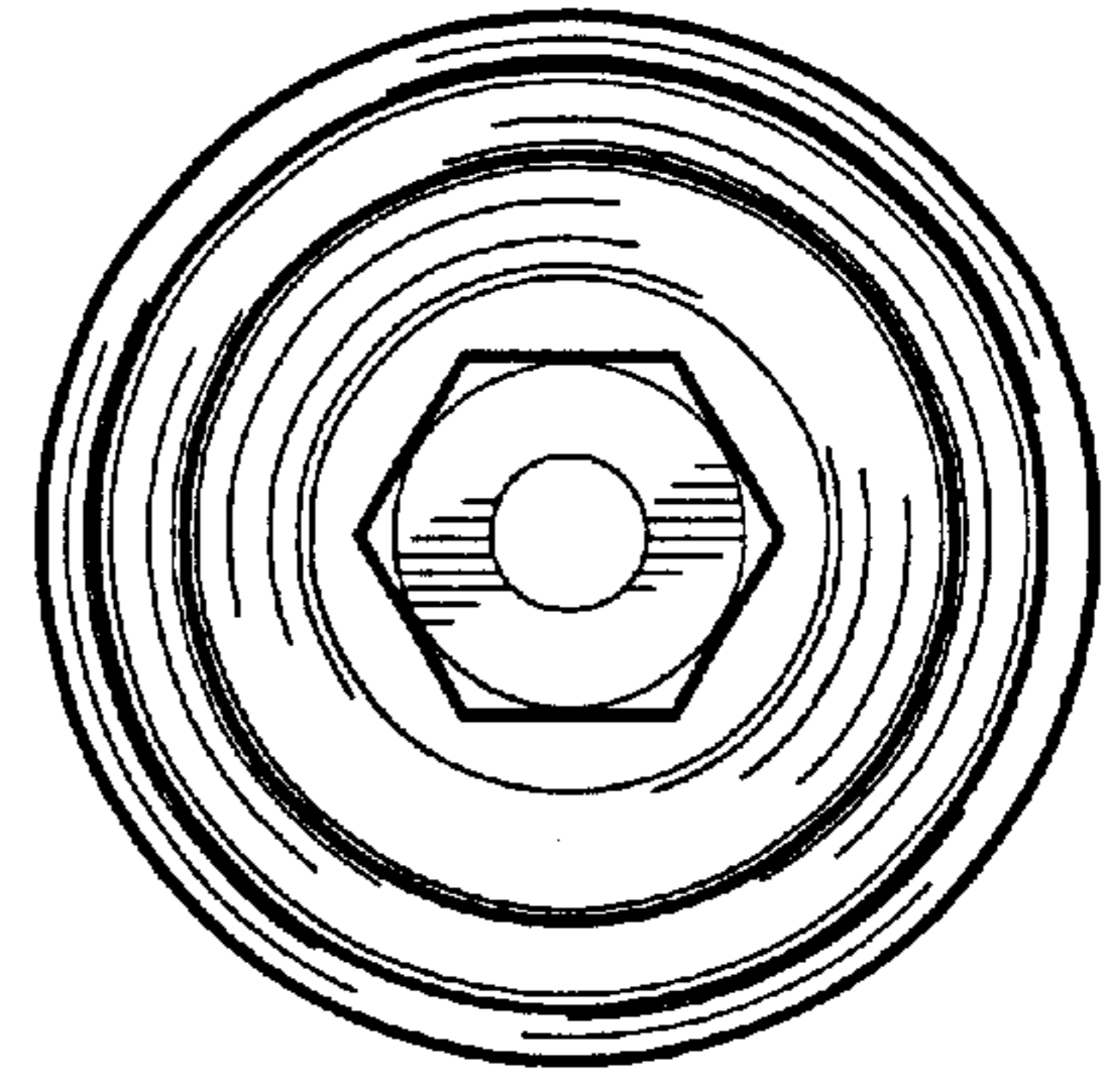


Figure - 5