



US00D449502B1

(12) **United States Design Patent**
Fraser et al.

(10) **Patent No.:** **US D449,502 S**

(45) **Date of Patent:** **** Oct. 23, 2001**

(54) **ROTARY TOOL**

(75) Inventors: **Marc Anthony Fraser**, Blackburn;
Peter Kingsley Bayly, Euroa, both of
(AU)

(73) Assignee: **Ozito Industries PTY Ltd.**, Victoria
(AU)

(**) Term: **14 Years**

(21) Appl. No.: **29/128,008**

(22) Filed: **Aug. 17, 2000**

(30) **Foreign Application Priority Data**

Feb. 18, 2000 (AU) 481/00

(51) **LOC (7) Cl.** **08-01**

(52) **U.S. Cl.** **D8/62**

(58) **Field of Search** D8/61-70, 8; 81/57.11,
81/54, 57.42; 173/170, 217, 169, 216, 213,
164; 451/357-359, 344; 310/50

(56) **References Cited**

U.S. PATENT DOCUMENTS

D. 171,221	*	12/1953	Nystrom	D8/62
D. 209,222	*	11/1967	Batson	D8/8
D. 255,417	*	6/1980	Sakamoto et al.	D8/62
D. 295,824	*	5/1988	Hoshino et al.	D8/62
D. 301,830	*	6/1989	Ogawa et al.	D8/62
D. 328,841	*	8/1992	Fushiya et al.	D8/62
D. 332,559	*	1/1993	Miyoshi et al.	D8/62
D. 347,153	*	5/1994	Uneyama	D8/62

D. 349,436	*	8/1994	Griffin et al.	D8/8
D. 351,772	*	10/1994	Price	D8/62
D. 367,595	*	3/1996	Dahlberg et al.	D8/8
D. 378,183	*	2/1997	Dognini	D8/62
D. 394,594	*	5/1998	Chung	D8/62
D. 396,175	*	7/1998	Chung	D8/62
D. 402,870	*	12/1998	Etter et al.	D8/62
D. 408,244	*	4/1999	Price	D8/62
D. 423,898	*	5/2000	Kelley	D8/64
D. 433,906	*	11/2000	Heun	D8/62
D. 434,620	*	12/2000	Martin	D8/8
D. 437,199	*	2/2001	Robson	D8/62
5,207,028	*	5/1993	Timmons	451/359 X
6,120,362	*	9/2000	Etter et al.	451/354

* cited by examiner

Primary Examiner—Jeffrey Asch

(74) *Attorney, Agent, or Firm*—Oliff & Berridge, PLC

(57) **CLAIM**

We claim the ornamental design for rotary tool, as shown.

DESCRIPTION

FIG. 1 is a front perspective view of a rotary tool showing our new design;

FIG. 2 is a rear perspective view thereof;

FIG. 3 is a front view thereof;

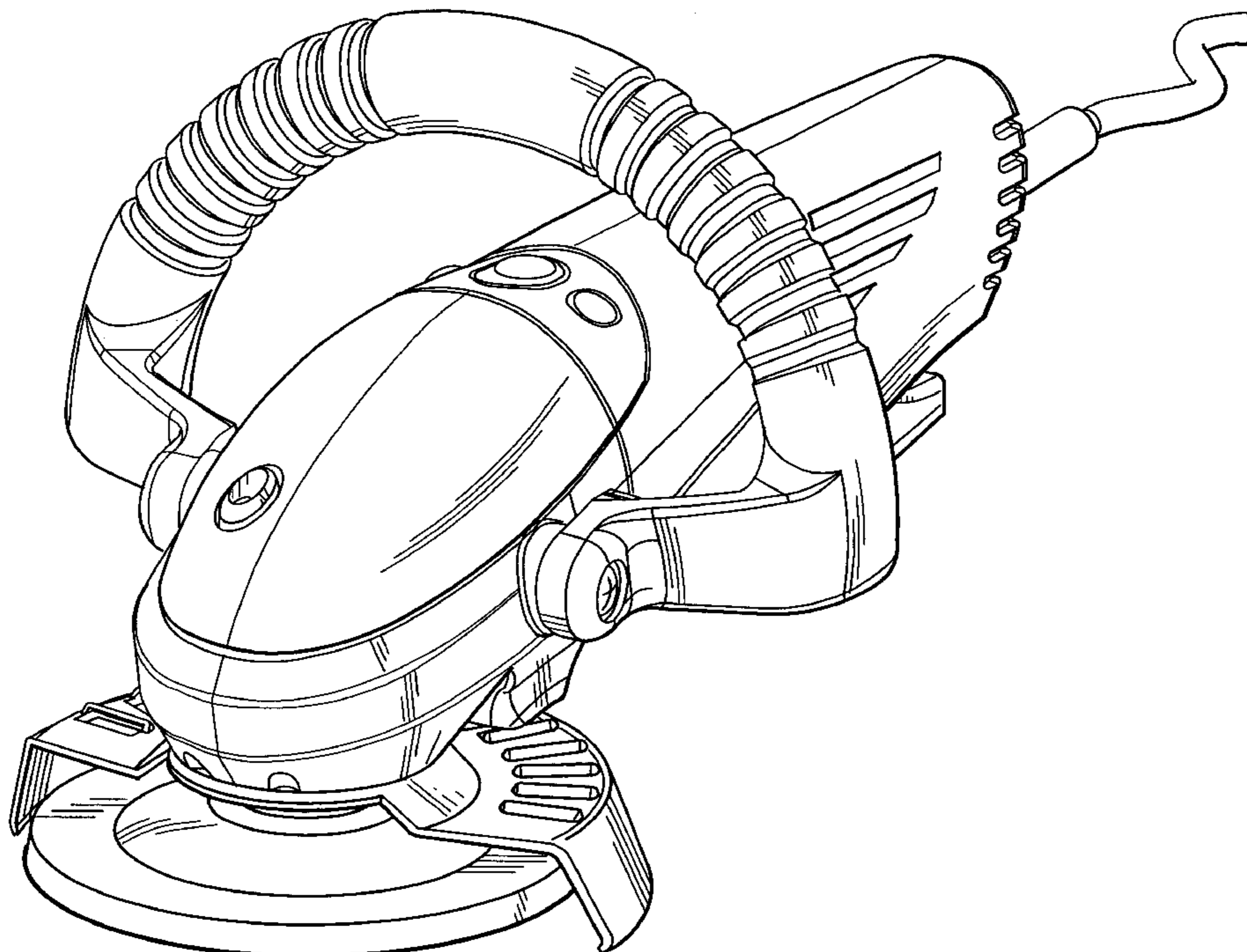
FIG. 4 is a rear view thereof;

FIG. 5 is a top plan view thereof;

FIG. 6 is an underside plan view thereof; and,

FIG. 7 is a side view thereof.

1 Claim, 6 Drawing Sheets



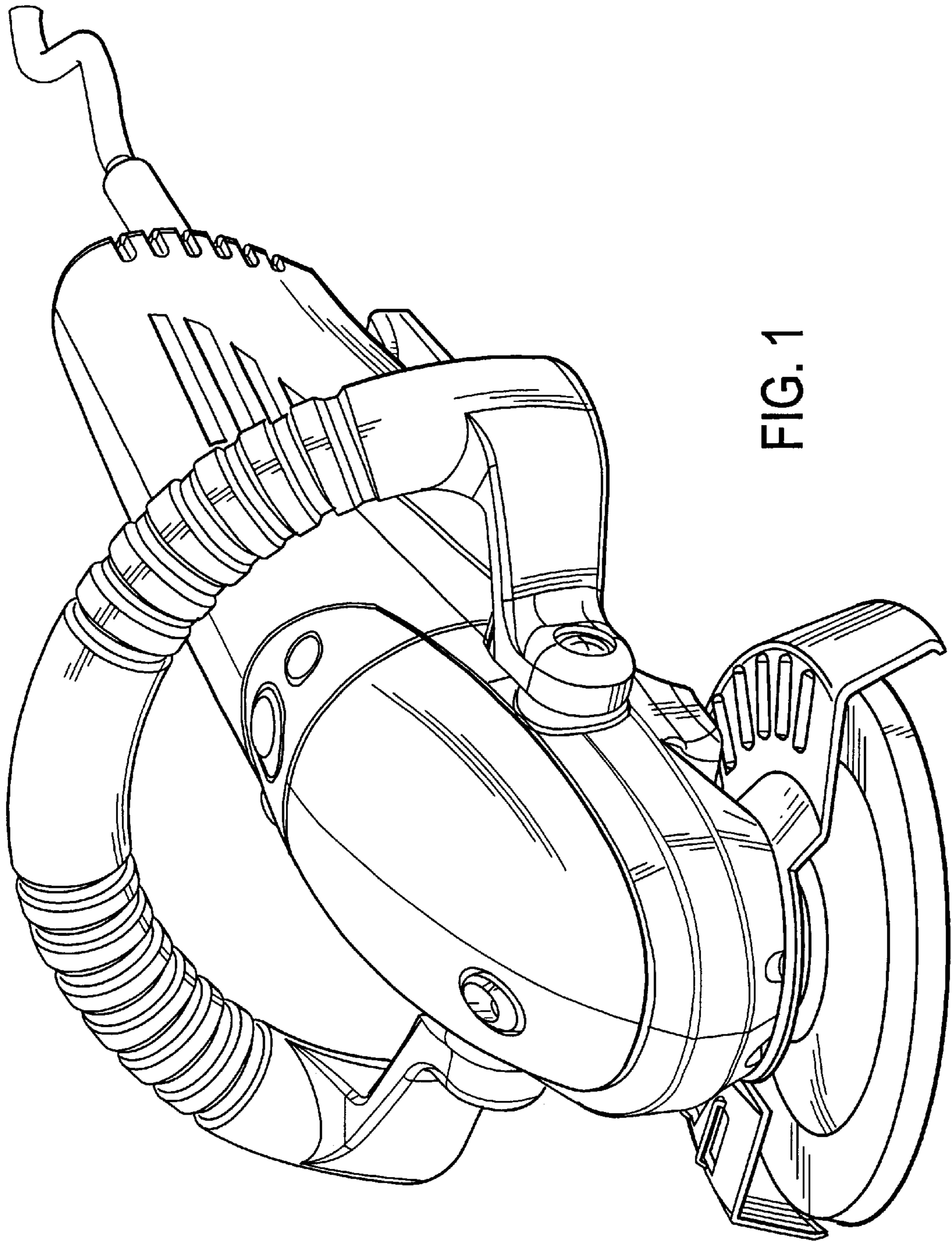


FIG. 1

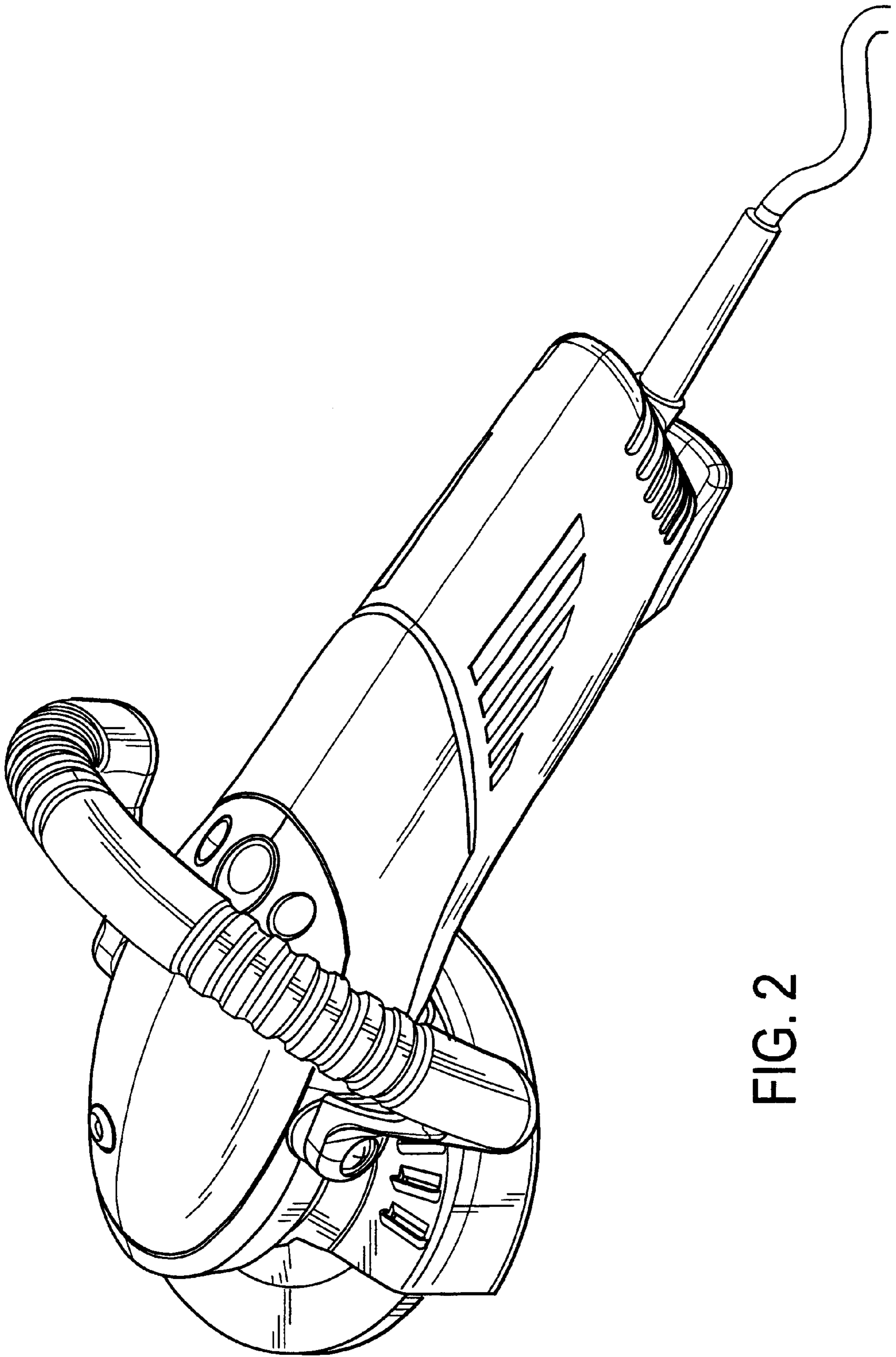


FIG. 2

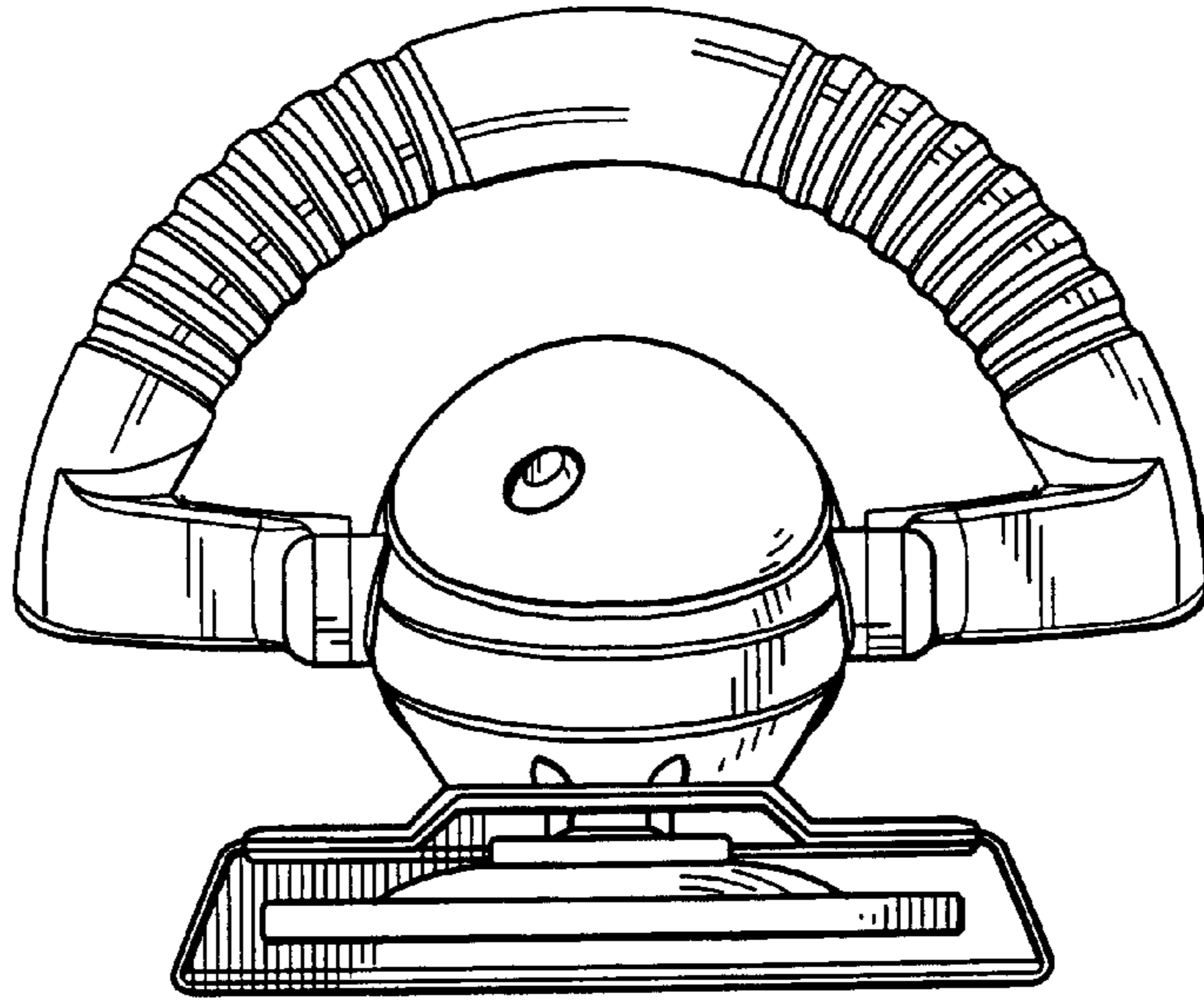


FIG. 3

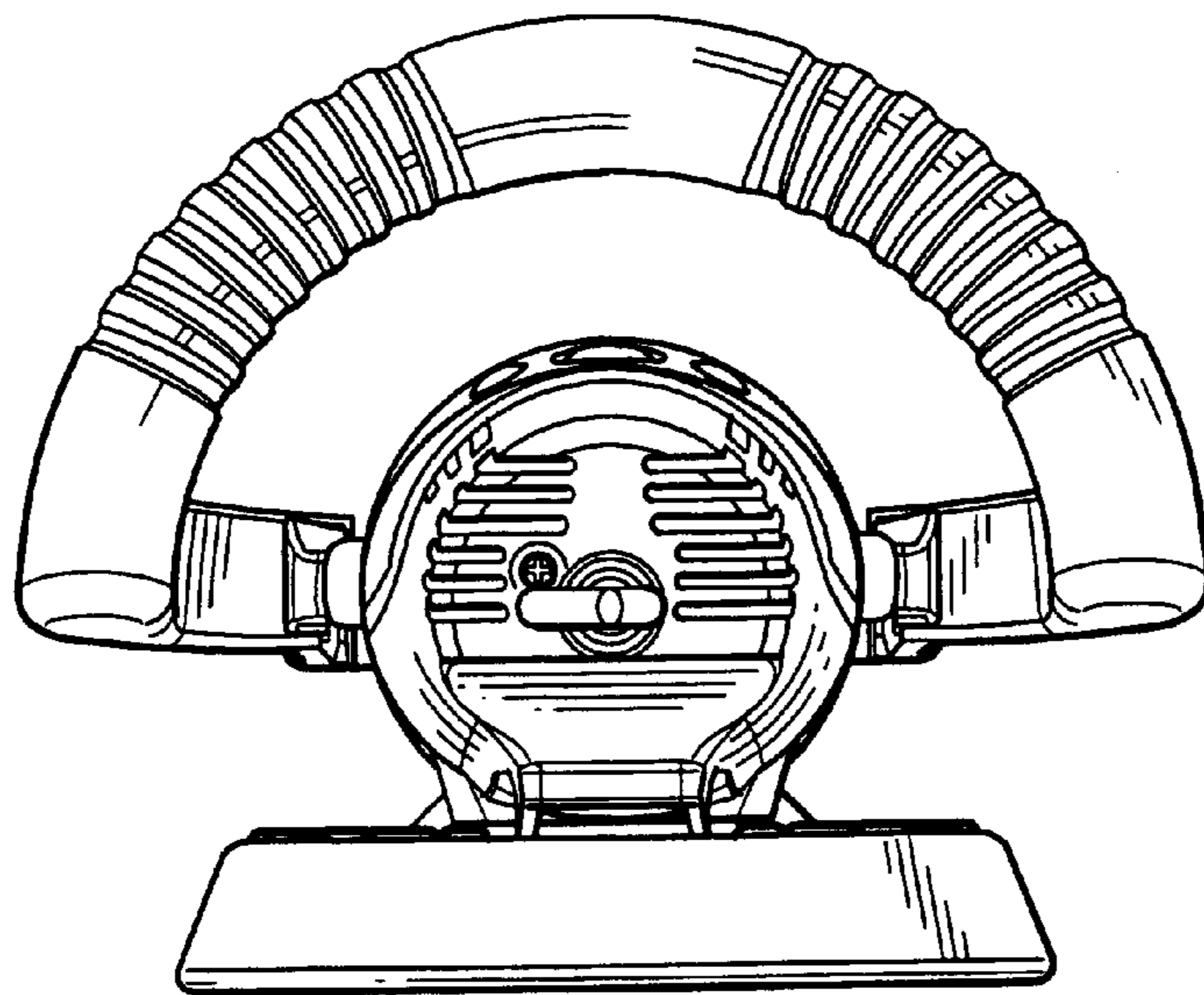


FIG. 4

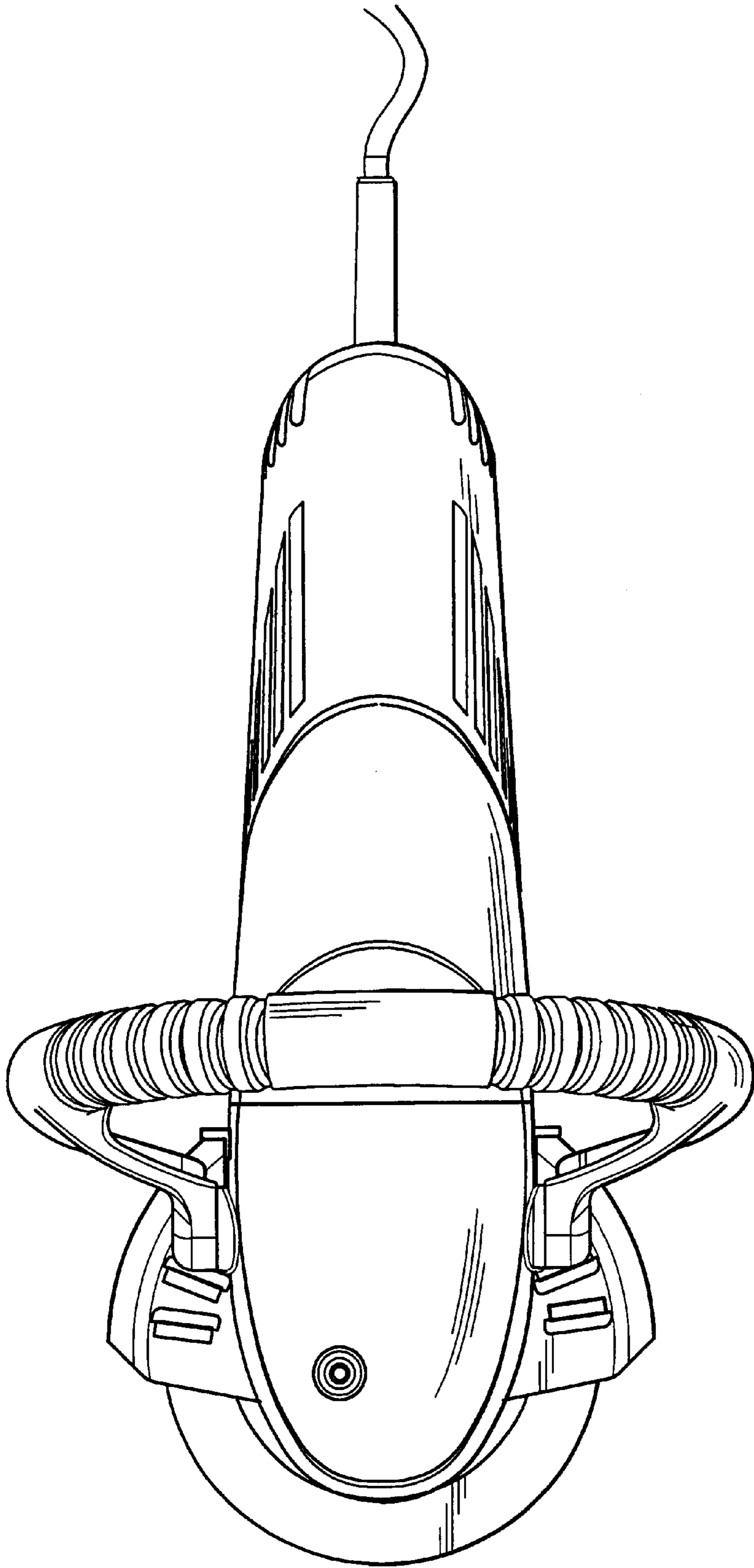


FIG. 5

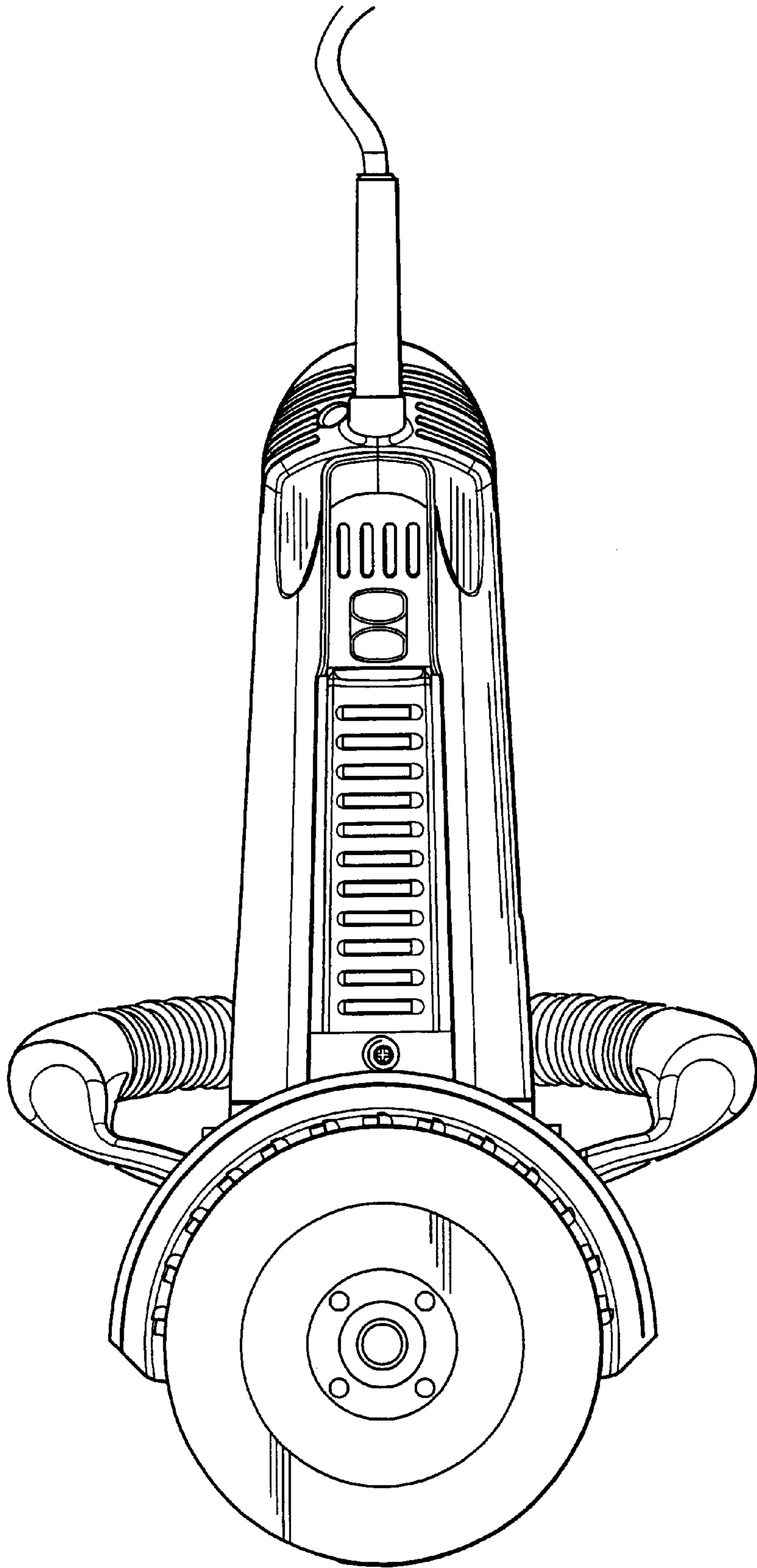


FIG. 6

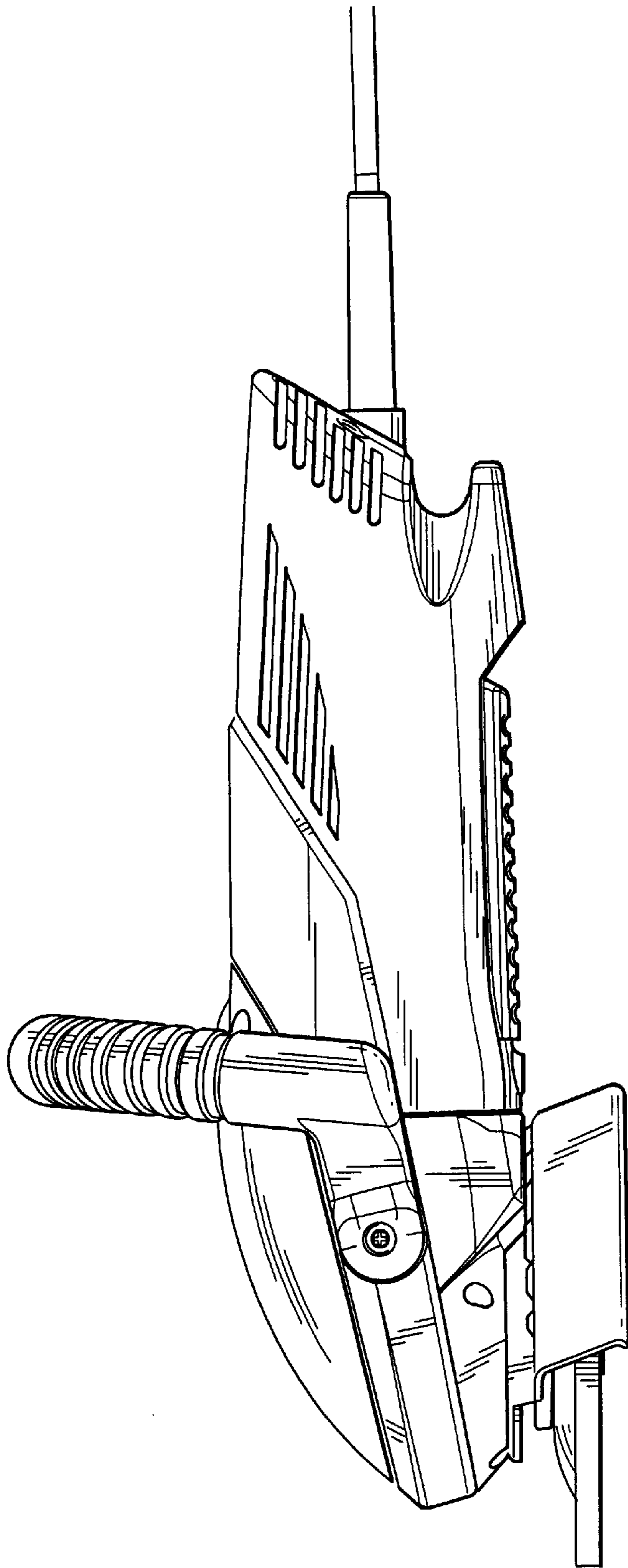


FIG. 7