



US00D449499B1

(12) **United States Design Patent**  
**Voges**

(10) **Patent No.:** **US D449,499 S**

(45) **Date of Patent:** **\*\* Oct. 23, 2001**

(54) **PROBE BENDER FOR AN ELECTROSURGICAL TOOL**

(75) Inventor: **Jens P. Voges**, Cambridge, MA (US)

(73) Assignee: **Stryker Corporation**, Kalamazoo, MI (US)

(\*\*) Term: **14 Years**

(21) Appl. No.: **29/126,300**

(22) Filed: **Jul. 12, 2000**

(51) **LOC (7) Cl.** ..... **08-05**

(52) **U.S. Cl.** ..... **D8/32; D24/133; D24/144**

(58) **Field of Search** ..... **D24/133, 144, D24/152, 176; 606/180; D8/32; 72/458, 479, 477, 409.16, 217, 216, 459, 392, 386**

(56) **References Cited**

**U.S. PATENT DOCUMENTS**

|            |   |         |                    |       |        |
|------------|---|---------|--------------------|-------|--------|
| D. 230,248 | * | 2/1974  | Ely                | ..... | D8/32  |
| D. 415,665 | * | 10/1999 | Nordell, II et al. | ..... | D8/32  |
| 5,125,825  | * | 6/1992  | Janosco            | ..... | 72/386 |
| 5,601,586  |   | 2/1997  | Fucci              | .     |        |
| 5,819,580  | * | 10/1998 | Gauthier           | ..... | 72/458 |

**OTHER PUBLICATIONS**

Photograph ArthroCare Probe Bender, Jun., 2000.

Linvatec, Merlin Bender photograph and product description, Jun., 2000.

\* cited by examiner

*Primary Examiner*—Ian Simmons

(74) *Attorney, Agent, or Firm*—Flynn, Thiel, Boutell & Tanis, P.C.

(57) **CLAIM**

The ornamental design of a probe bender for an electro-surgical tool, as shown and described.

**DESCRIPTION**

FIG. 1 is a perspective view of a probe bender for an electro-surgical tool showing my new design;

FIG. 2 is a top plan view thereof;

FIG. 3 is a bottom plan view thereof;

FIG. 4 is a right side view thereof;

FIG. 5 is a left side view thereof;

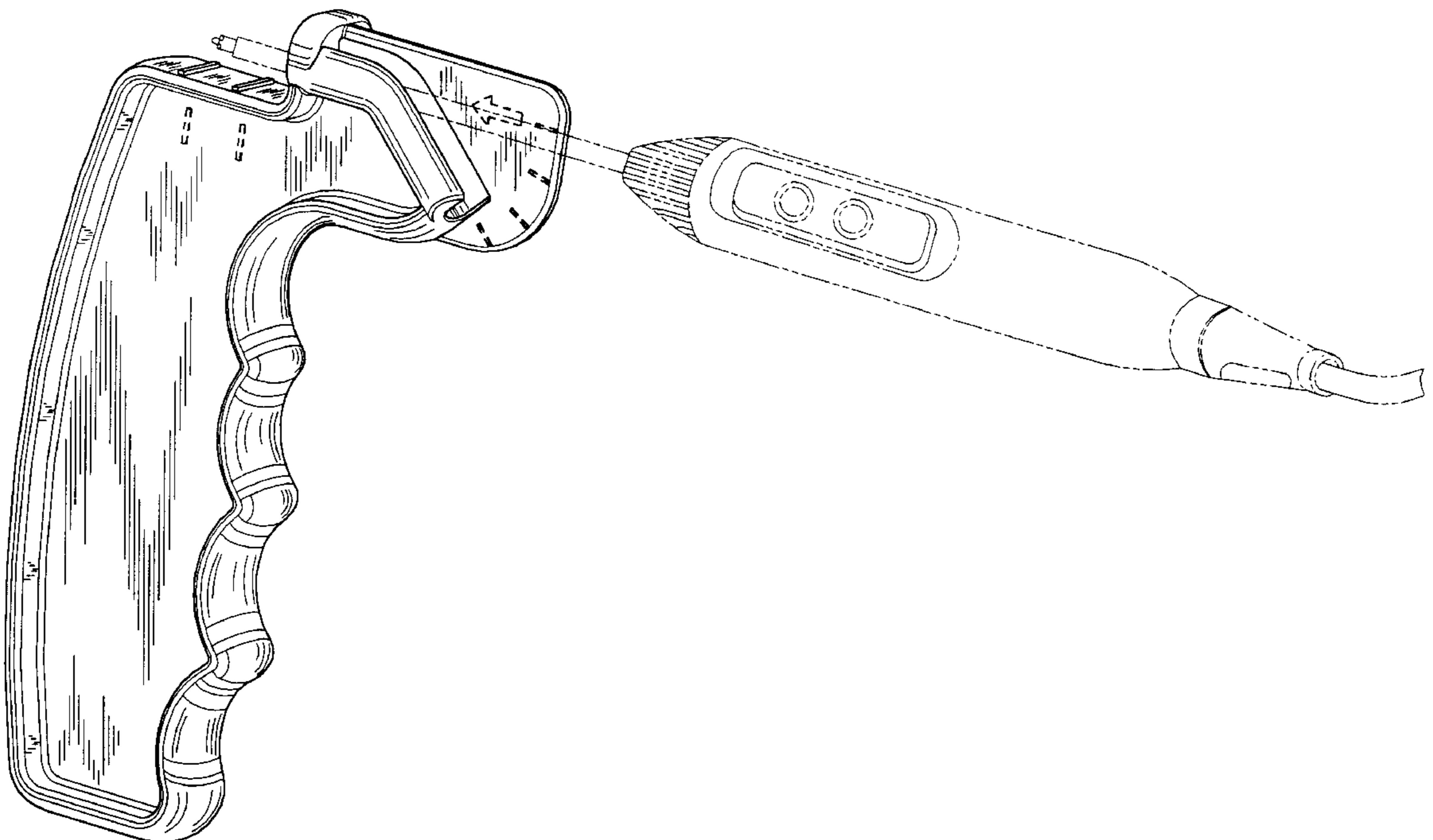
FIG. 6 is a front view thereof;

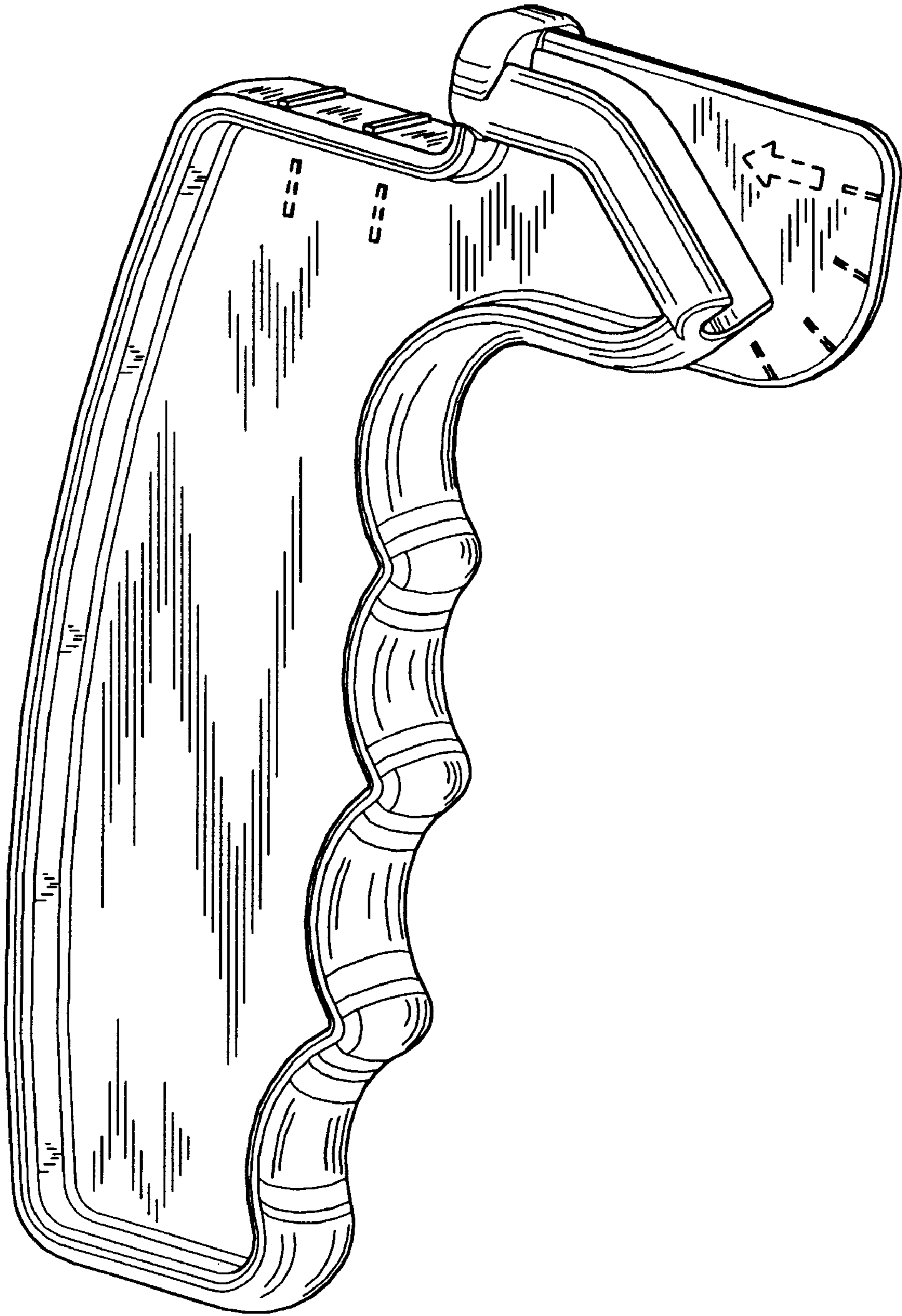
FIG. 7 is a rear view thereof; and,

FIG. 8 is a perspective view thereof.

The broken line showing of the incremental marks on the probe bender in FIGS. 1, 4 and 5, and of the electro-surgical tool in FIG. 8 are for illustrative purposes only and forms no part of the claimed design.

**1 Claim, 5 Drawing Sheets**





**FIG. 1**

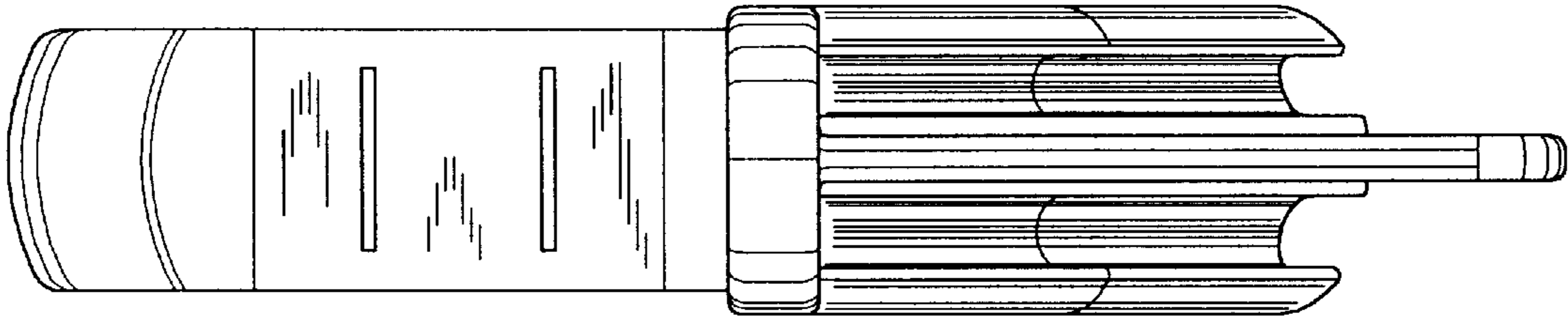


FIG. 2

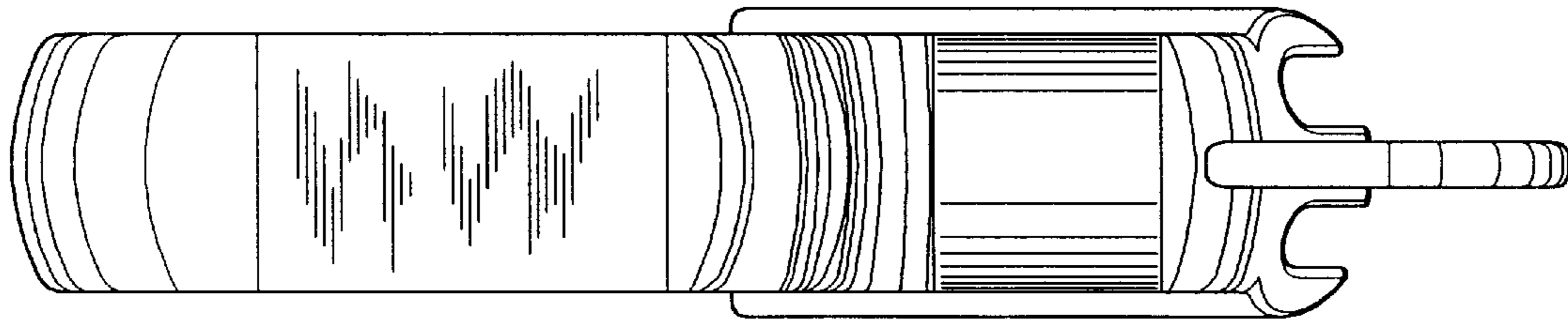


FIG. 3

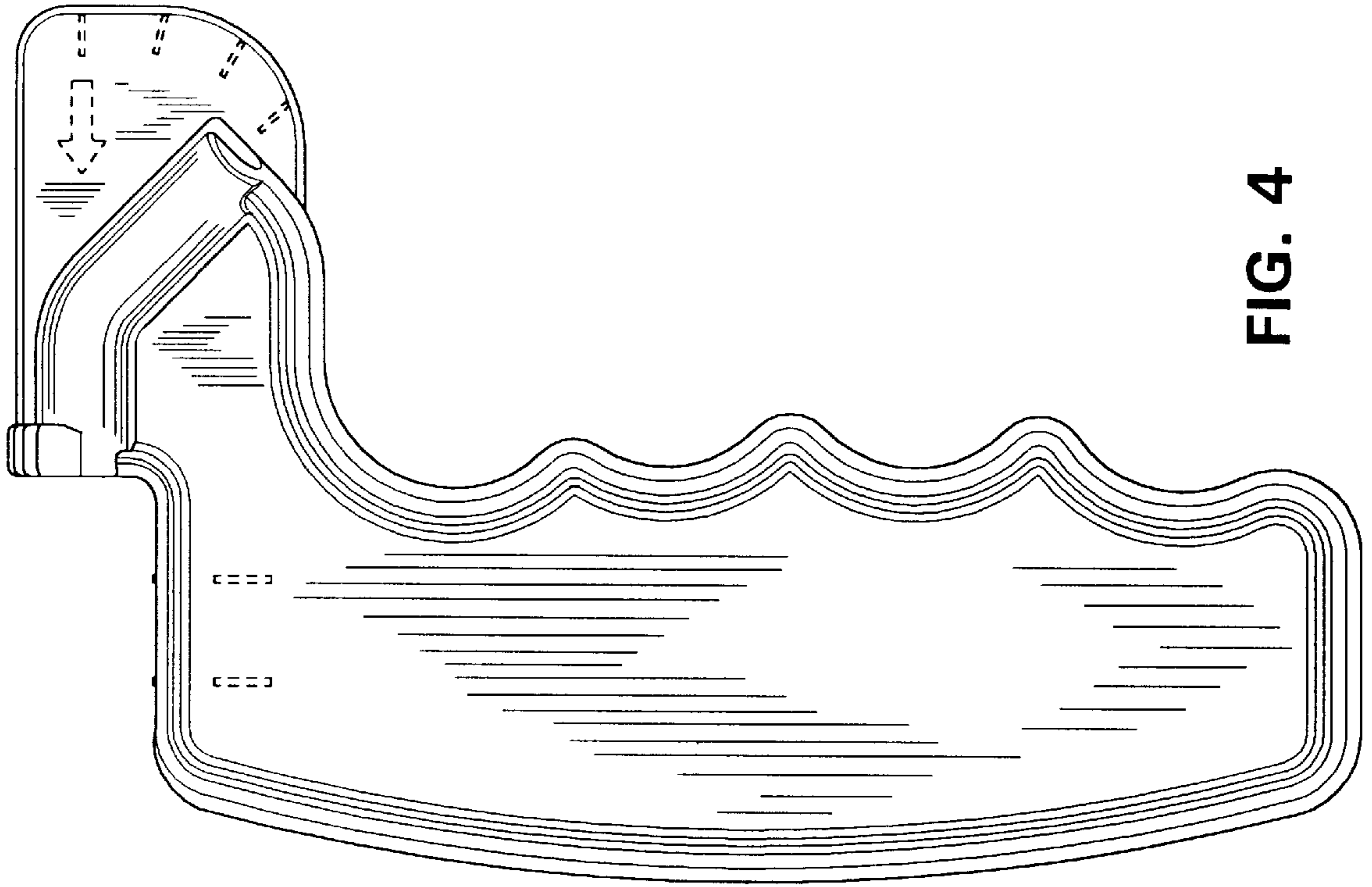


FIG. 4

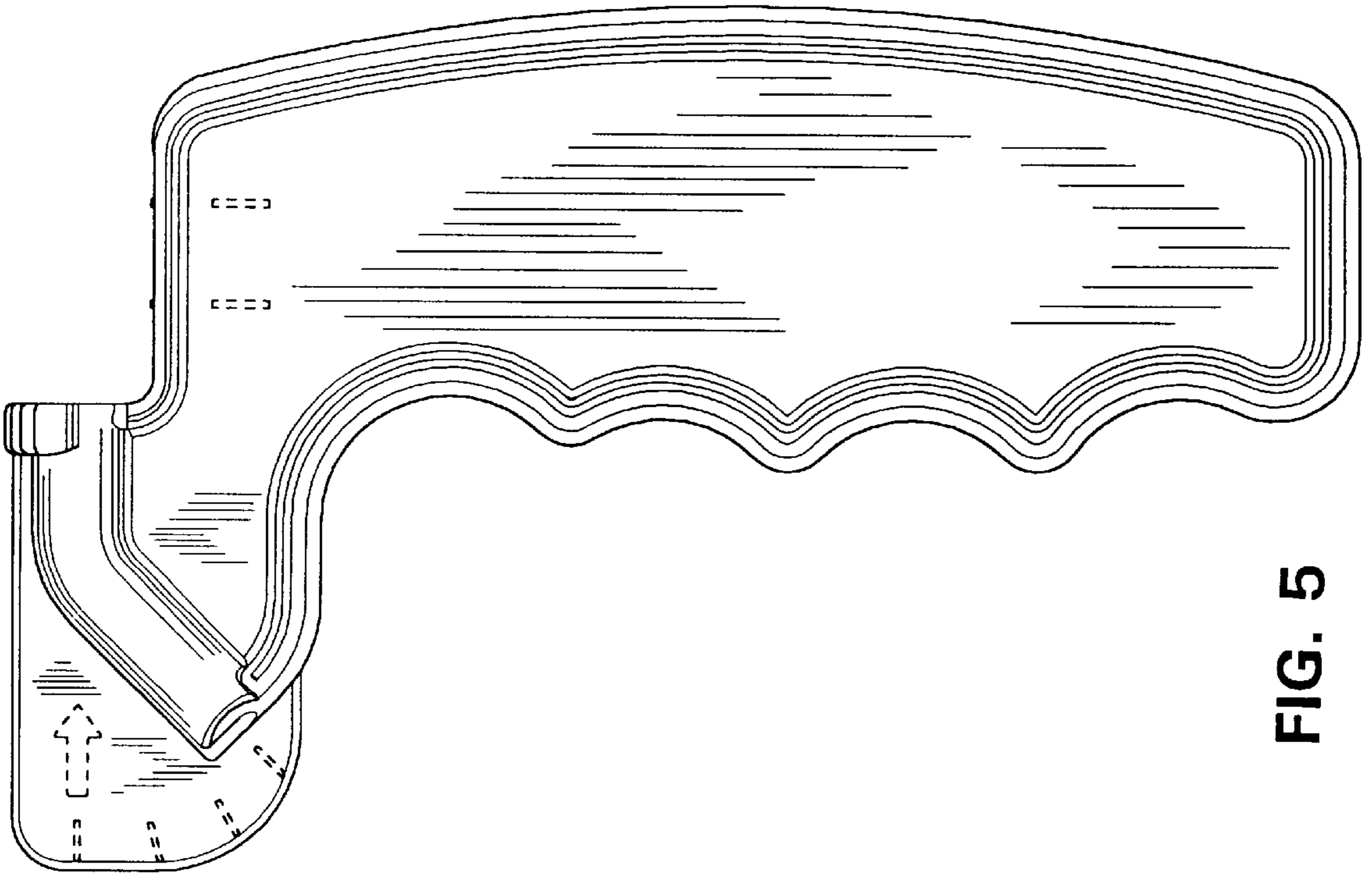


FIG. 5

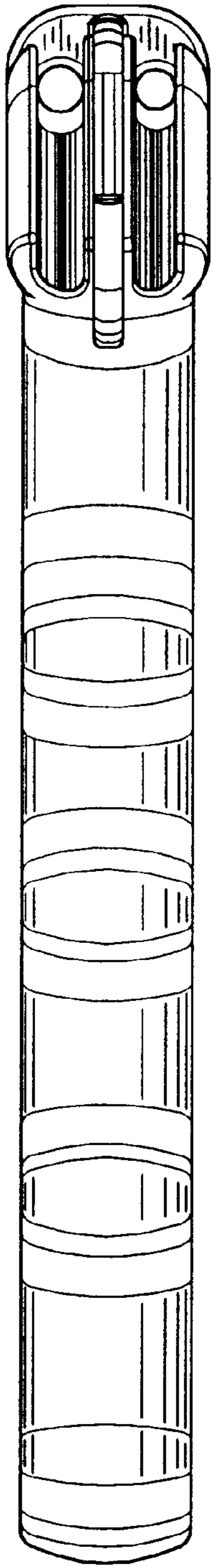


FIG. 6

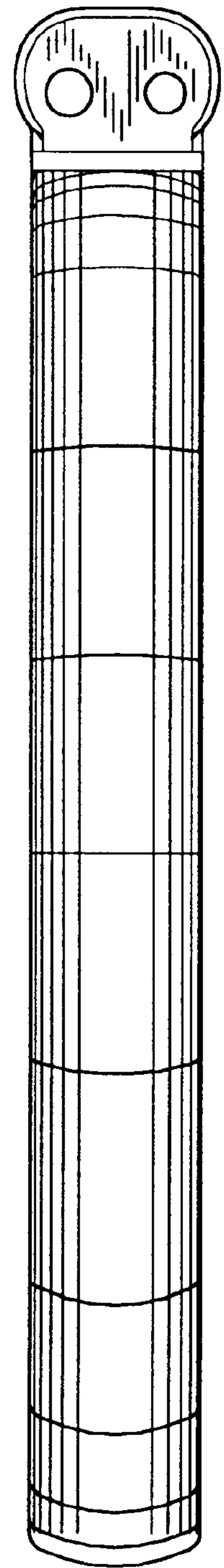


FIG. 7

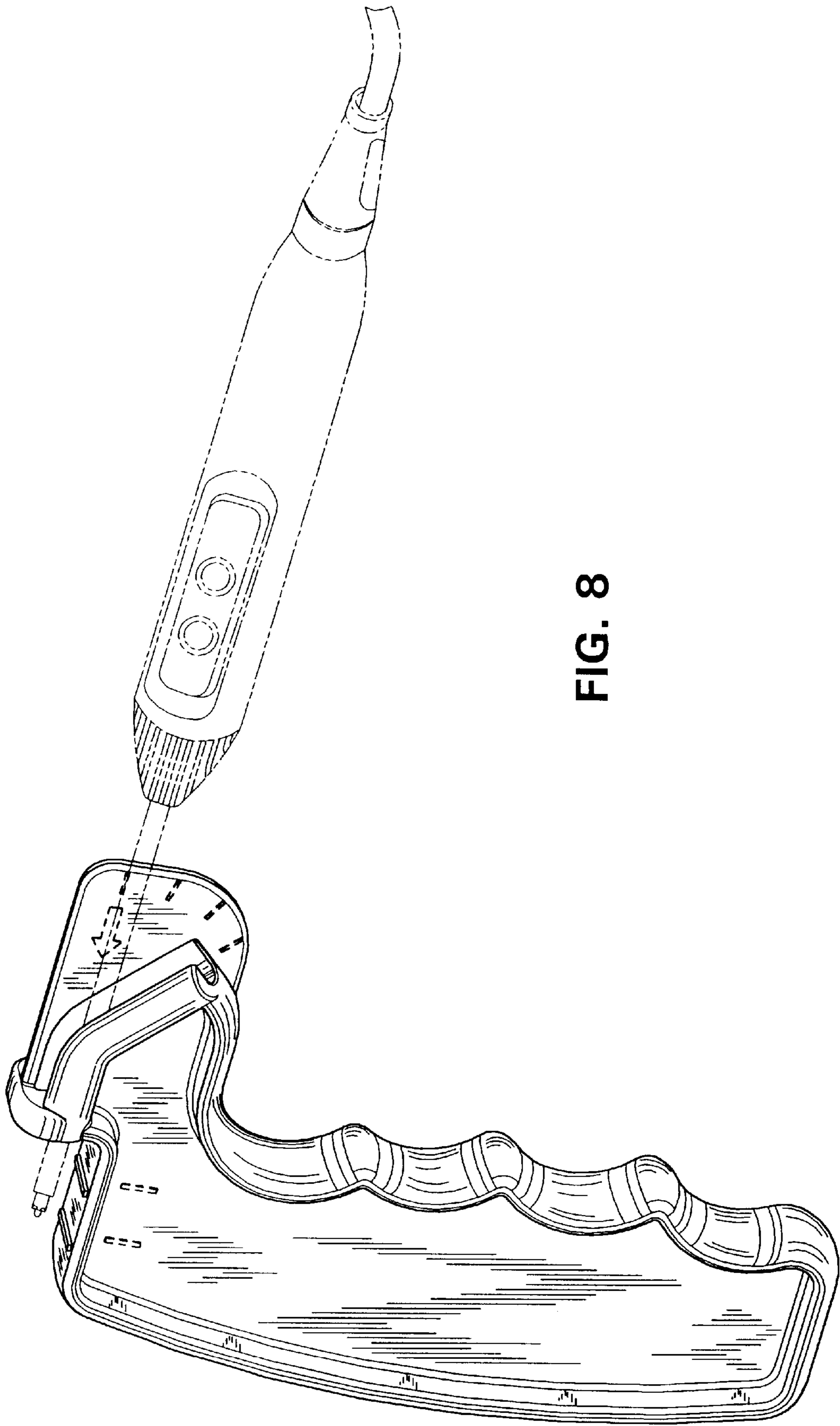


FIG. 8