



US00D449495B1

(12) **United States Design Patent**
Tucker et al.

(10) **Patent No.:** **US D449,495 S**

(45) **Date of Patent:** **** Oct. 23, 2001**

(54) **REUSABLE CONTAINER FOR FOOD**

(75) Inventors: **Edward Tucker**, Romeoville;
Lawrence John Racana, Clarendon Hills, both of IL (US); **Jim Warner**, Hoboken; **Robert Croft**, Jersey City, both of NJ (US); **Insun Yun**, New York, NY (US)

(73) Assignee: **The Glad Products Company**, DE (US)

(**) Term: **14 Years**

(21) Appl. No.: **29/130,778**

(22) Filed: **Oct. 6, 2000**

(51) **LOC (7) Cl.** **07-07**

(52) **U.S. Cl.** **D7/629**

(58) **Field of Search** D7/538-542, 602, D7/629; D9/415, 418, 423-425, 432; 220/281, 662, 675, 780-783, 792-799, 805

(56) **References Cited**

U.S. PATENT DOCUMENTS

D. 272,595	2/1984	Chase et al. .	
D. 285,906	9/1986	Tyler .	
D. 287,573	1/1987	Tyler .	
D. 313,556	1/1991	Smith .	
D. 355,814	2/1995	VanValkenburg et al. .	
D. 360,105	7/1995	Doxey .	
D. 363,663	10/1995	Plater .	
D. 375,654	11/1996	Ferris .	
D. 378,563	3/1997	Ferris .	
D. 382,795	8/1997	Abayhan et al. .	
D. 384,555	10/1997	Bradley .	
D. 388,325	12/1997	Tucker et al. .	
D. 390,109	2/1998	Tucker et al. .	
D. 411,741	6/1999	Wilson et al. .	
D. 415,935	* 11/1999	Martinez D7/602	
D. 418,716	1/2000	Haley .	
D. 419,829	2/2000	Wilson et al. .	
D. 425,363	5/2000	Loew .	
D. 427,063	6/2000	May .	

D. 428,310	7/2000	Zettle et al. .	
4,337,116	6/1982	Foster .	
4,753,351	6/1988	Guillin .	
4,787,527	* 11/1988	Monetti D7/629 X	
4,819,824	4/1989	Longbottom et al. .	
5,377,860	1/1995	Littlejohn et al. .	
6,032,827	3/2000	Zettle et al. .	

* cited by examiner

Primary Examiner—Terry A. Wallace

(74) *Attorney, Agent, or Firm*—Thomas C. Feix

(57) **CLAIM**

The ornamental design for a reusable container for food, as shown and described.

DESCRIPTION

FIG. 1 is a top perspective view of a reusable container for food showing our new design;

FIG. 2 is a right side elevational view thereof;

FIG. 3 is a front elevational view thereof;

FIG. 4 is a left side elevational view thereof;

FIG. 5 is a rear elevational view thereof;

FIG. 6 is a top plan view thereof;

FIG. 7 is a bottom plan view thereof;

FIG. 8 is a top perspective view of a container top; shown separately for clarity of illustration;

FIG. 9 is a right side elevational view thereof;

FIG. 10 is a front elevational view thereof;

FIG. 11 is a left side elevational view thereof;

FIG. 12 is a rear elevational view thereof;

FIG. 13 is a top plan view thereof;

FIG. 14 is a bottom plan view thereof;

FIG. 15 is a top perspective view of a container bottom; shown separately for clarity of illustration;

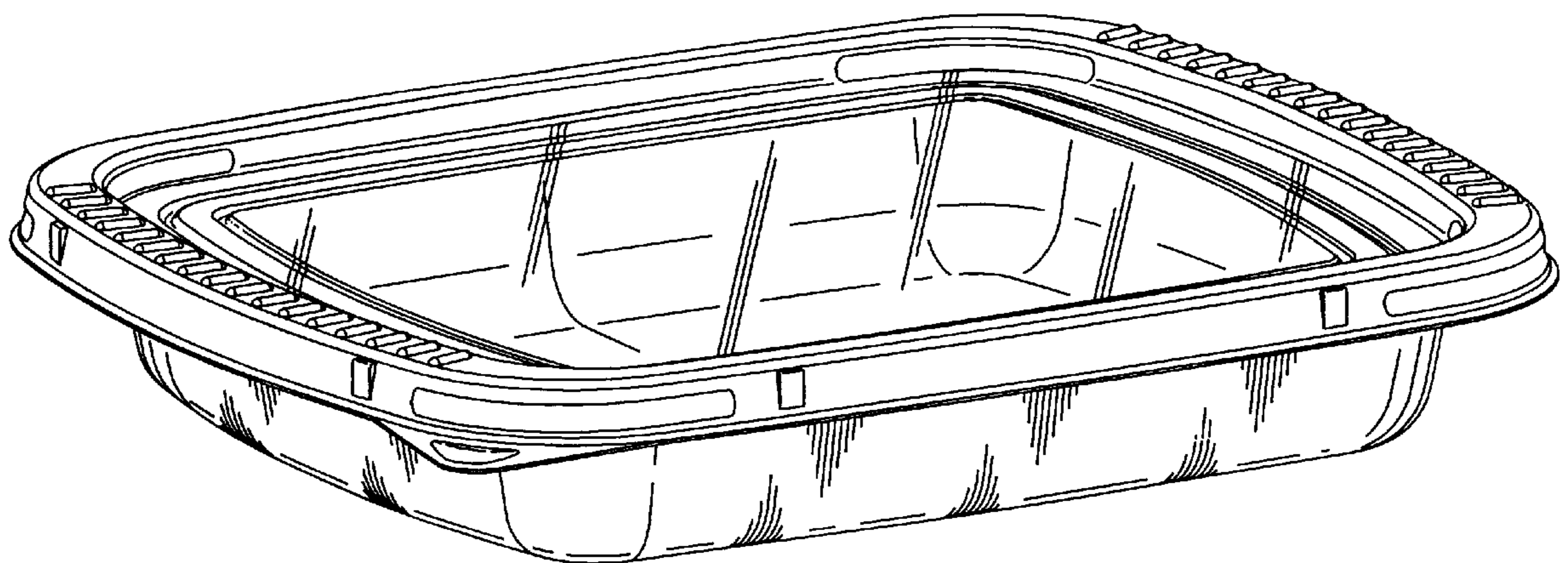
FIG. 16 is a right side elevational view thereof, the left side elevational view being a mirror image thereof;

FIG. 17 is a front elevational view thereof, the rear elevational view being a mirror image thereof;

FIG. 18 is a top plan view thereof; and,

FIG. 19 is a bottom plan view thereof.

1 Claim, 6 Drawing Sheets



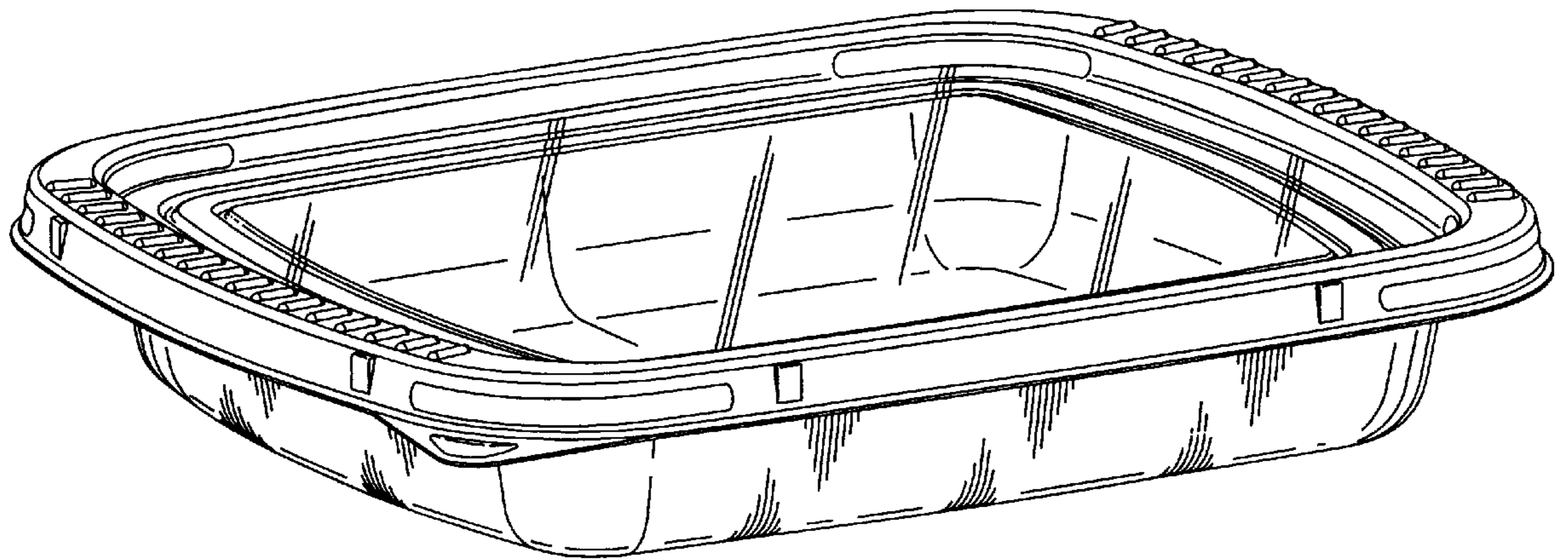


FIG. - 1

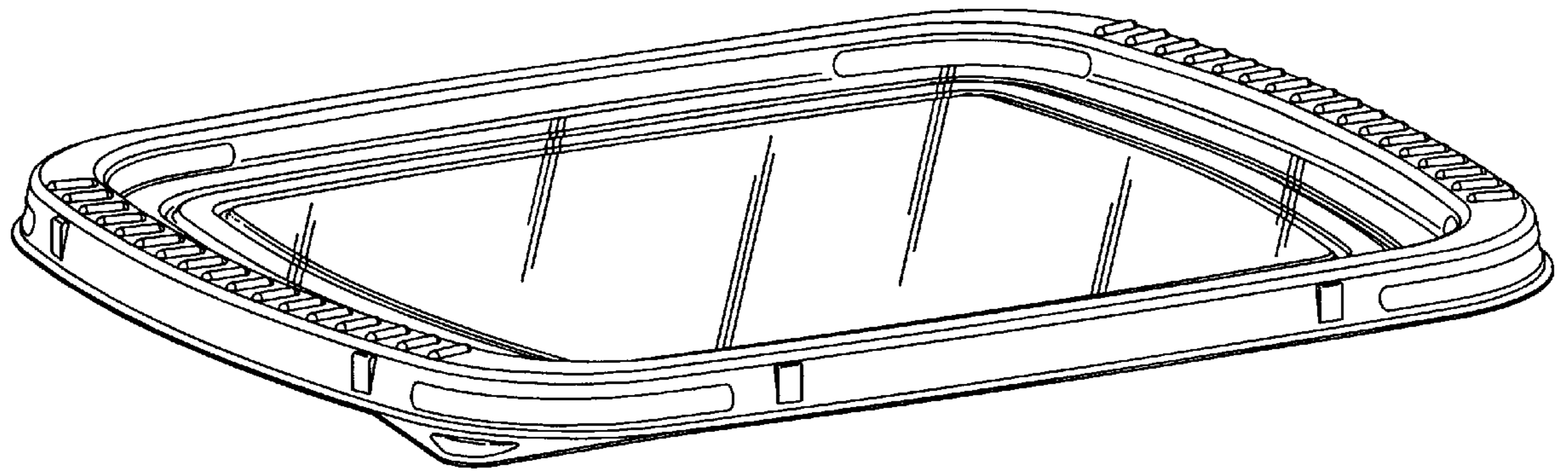


FIG. - 8

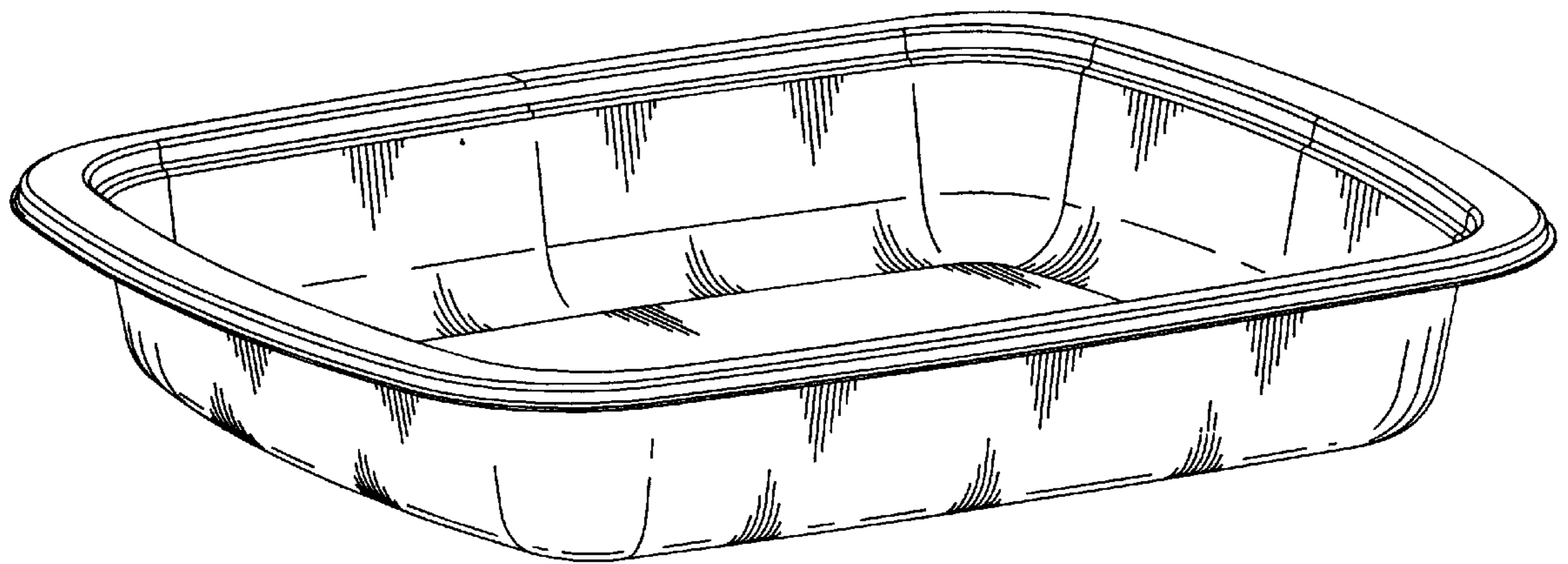


FIG. - 15

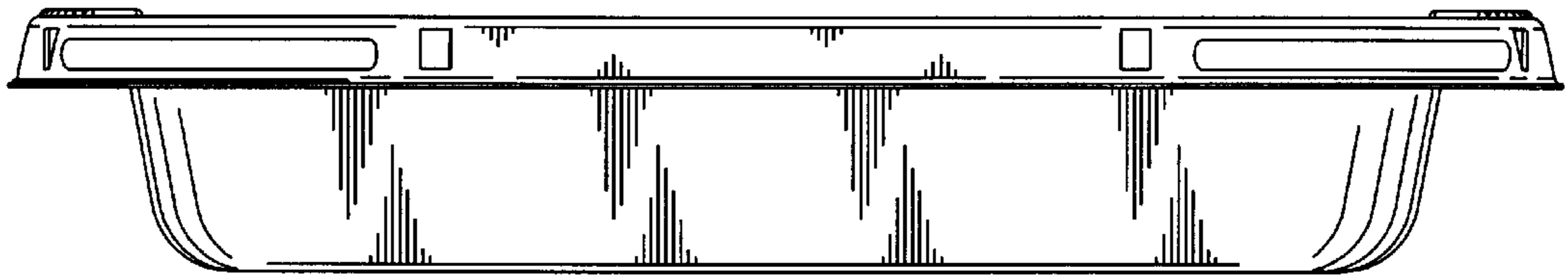


FIG. -2

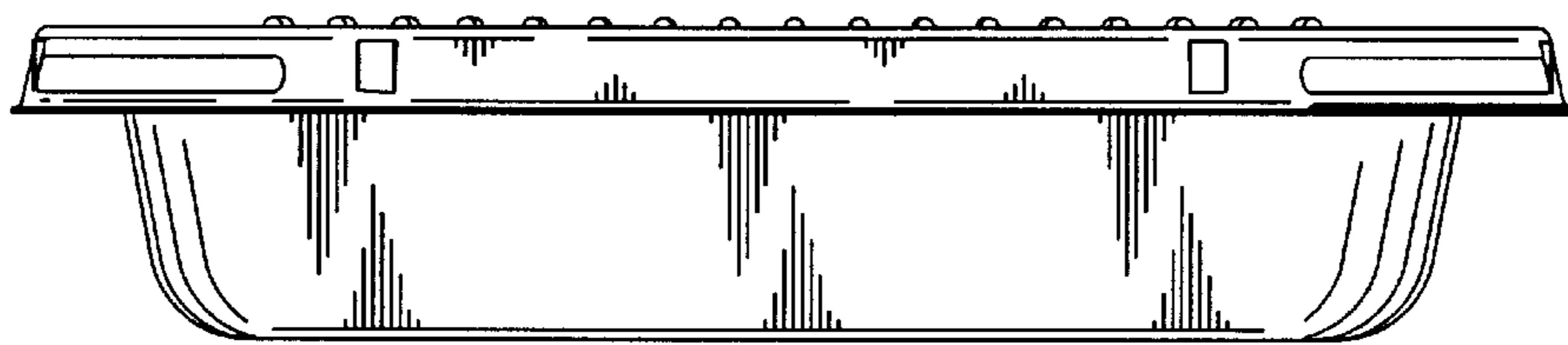


FIG. -3

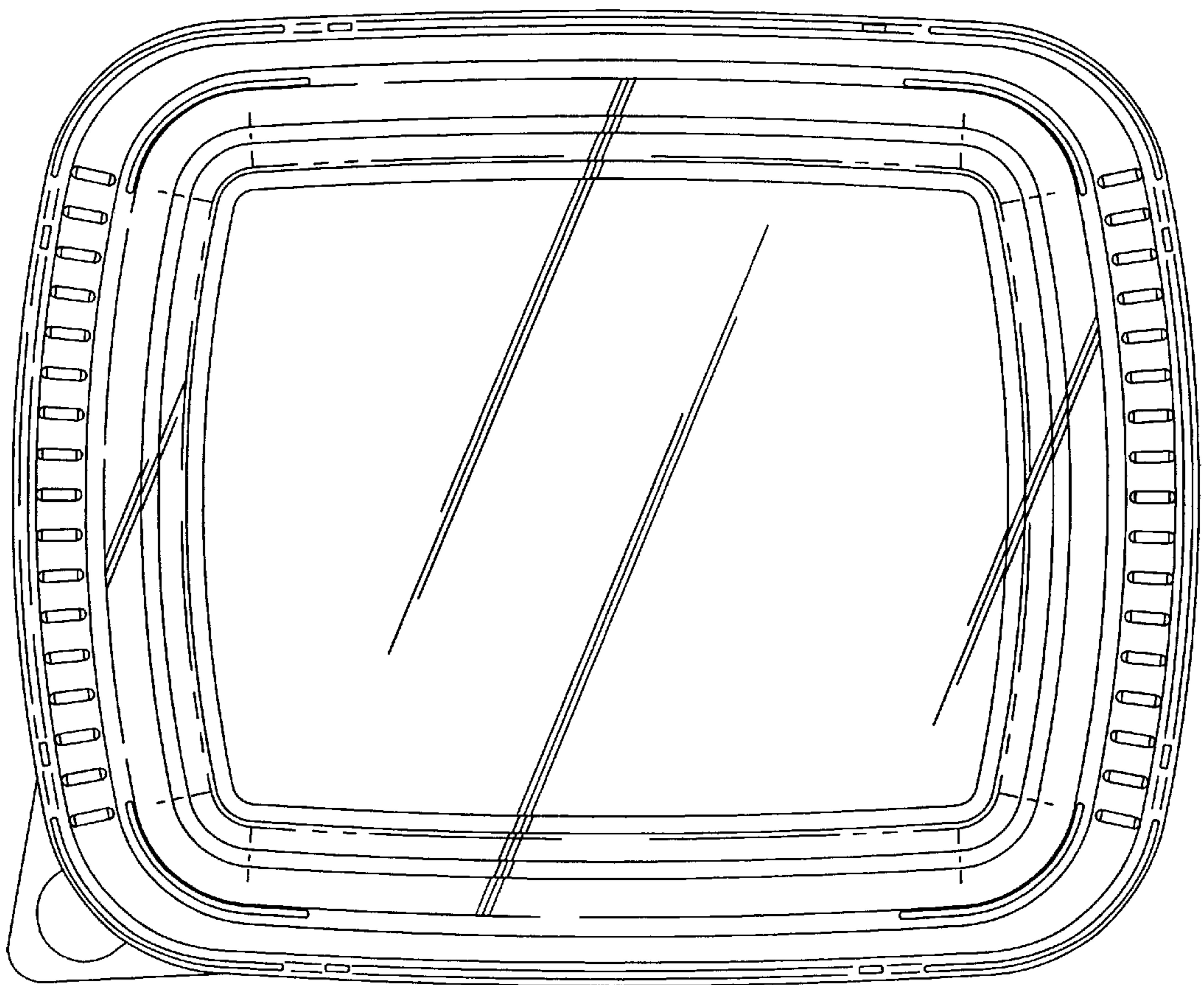


FIG. -6

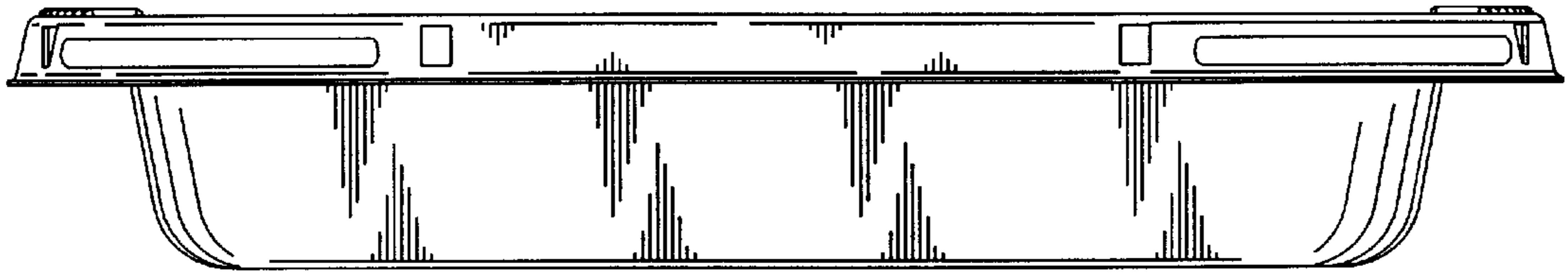


FIG. - 4

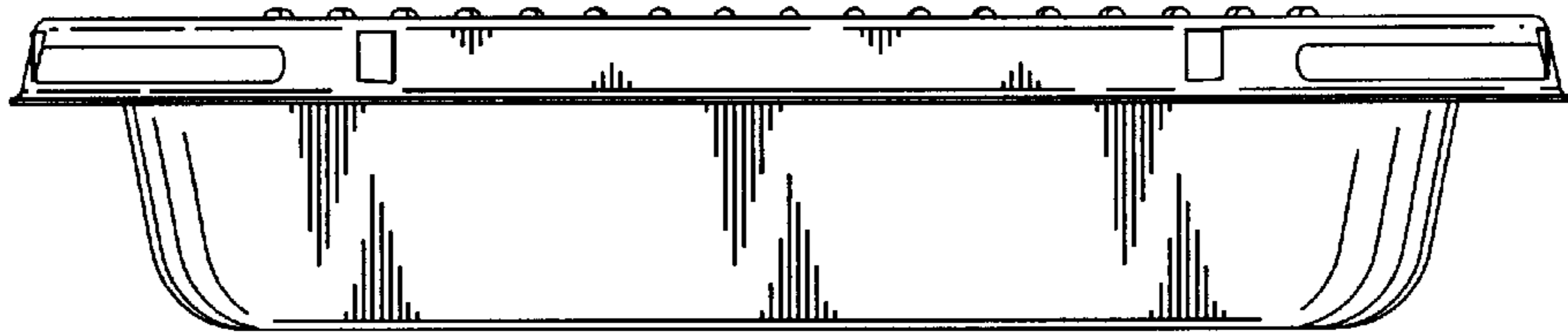


FIG. - 5

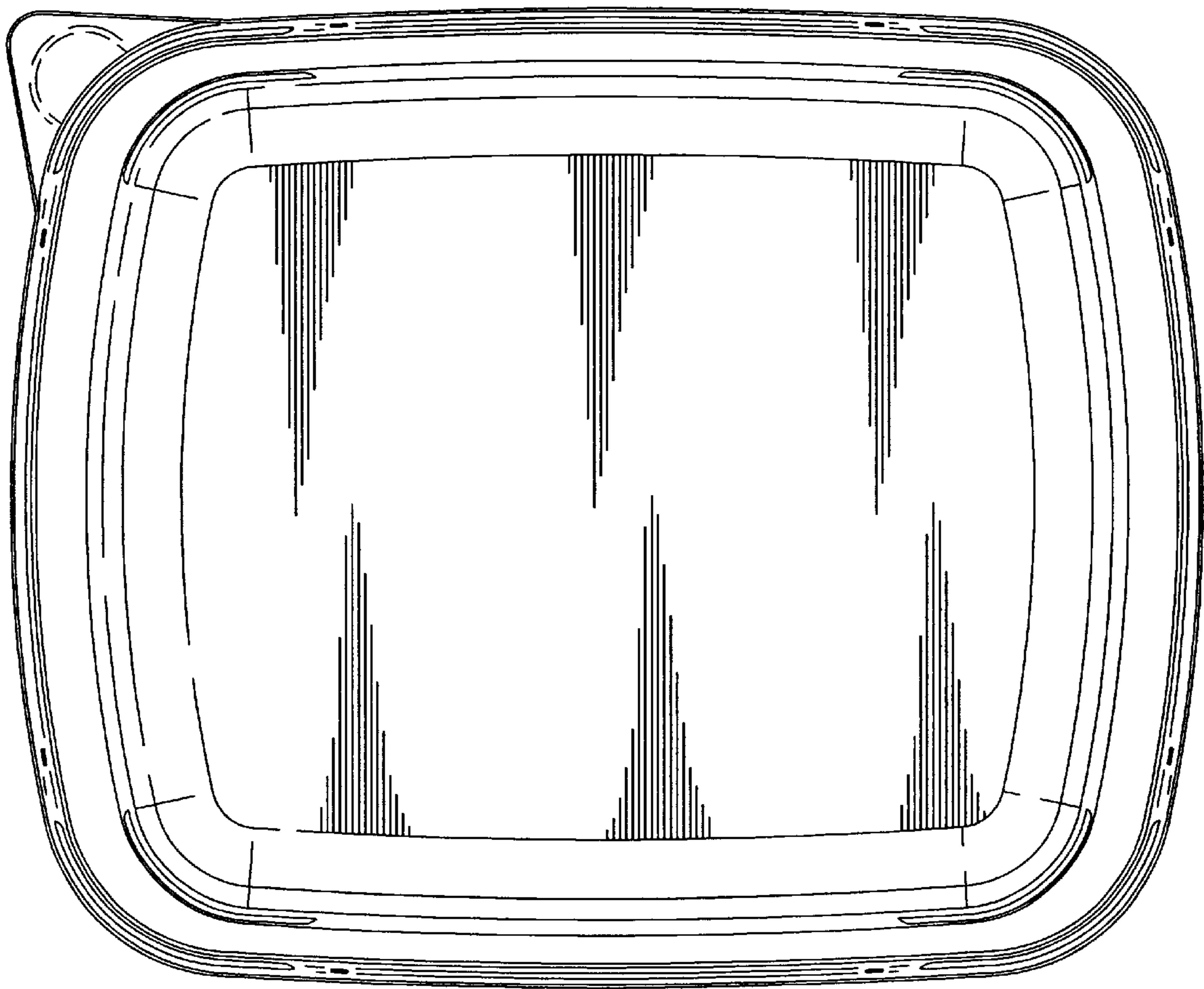


FIG. - 7

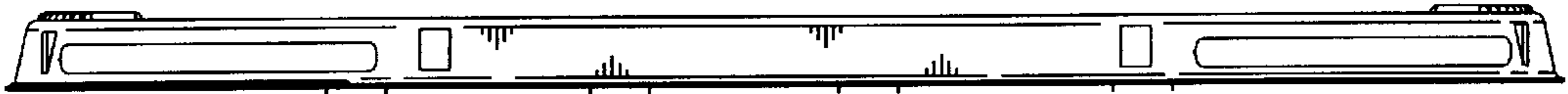


FIG. - 9



FIG. - 10

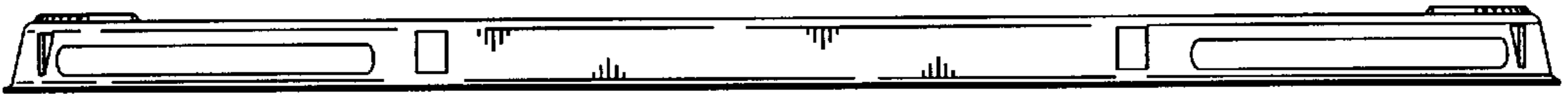


FIG. - 11

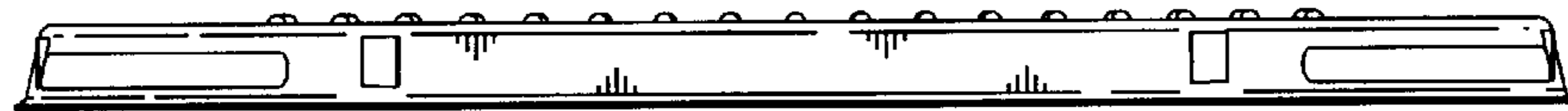


FIG. - 12

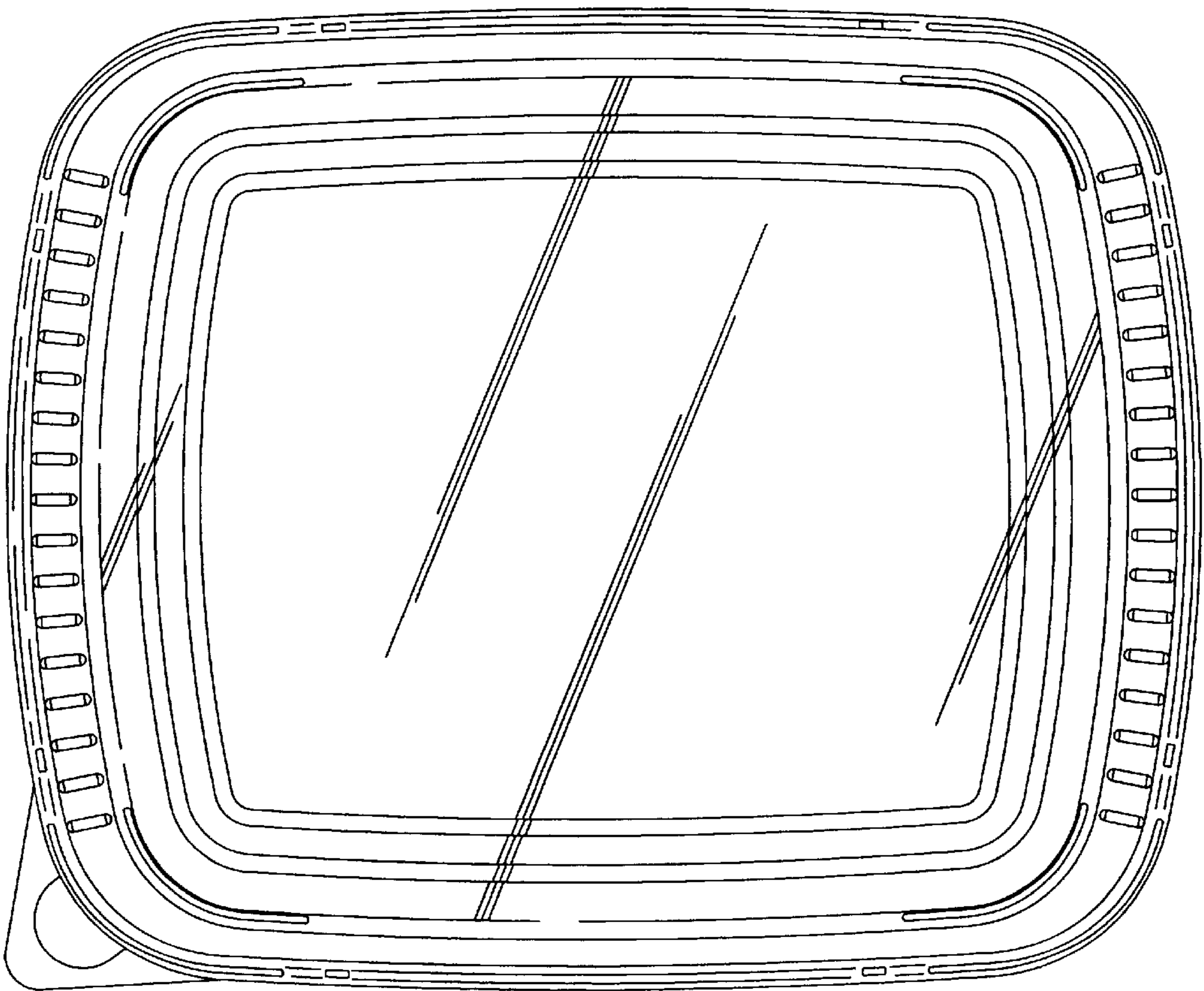


FIG. - 13

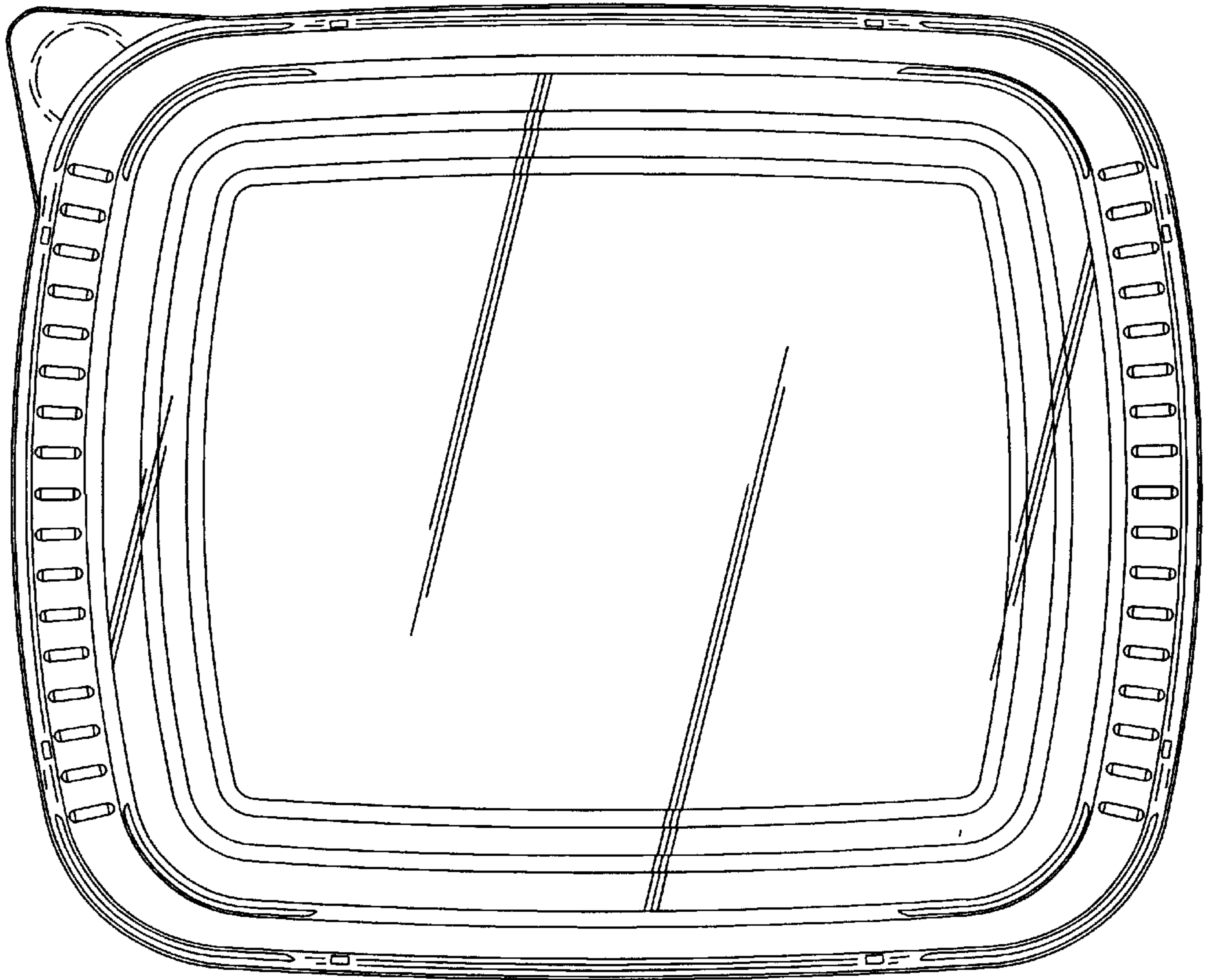


FIG. - 14

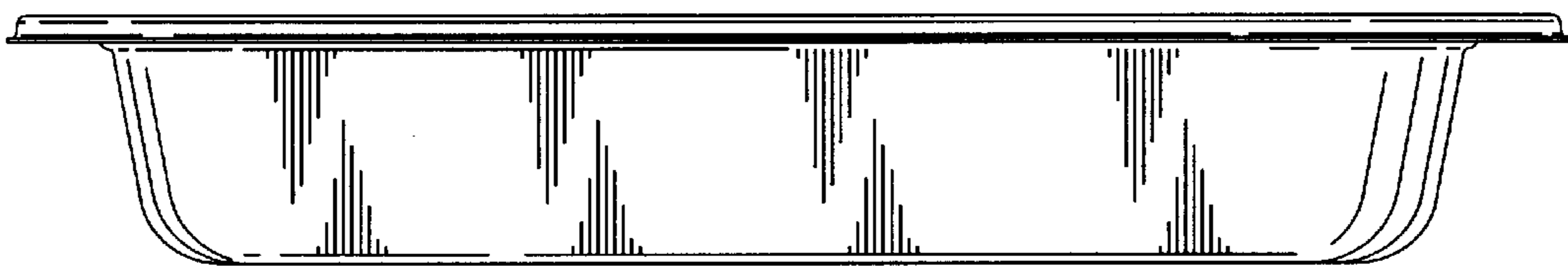


FIG. - 16

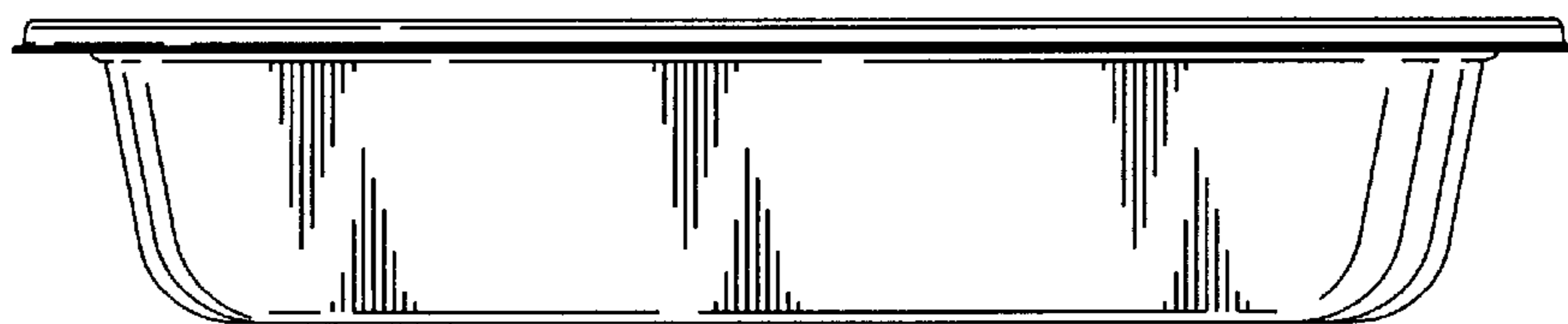


FIG. - 17

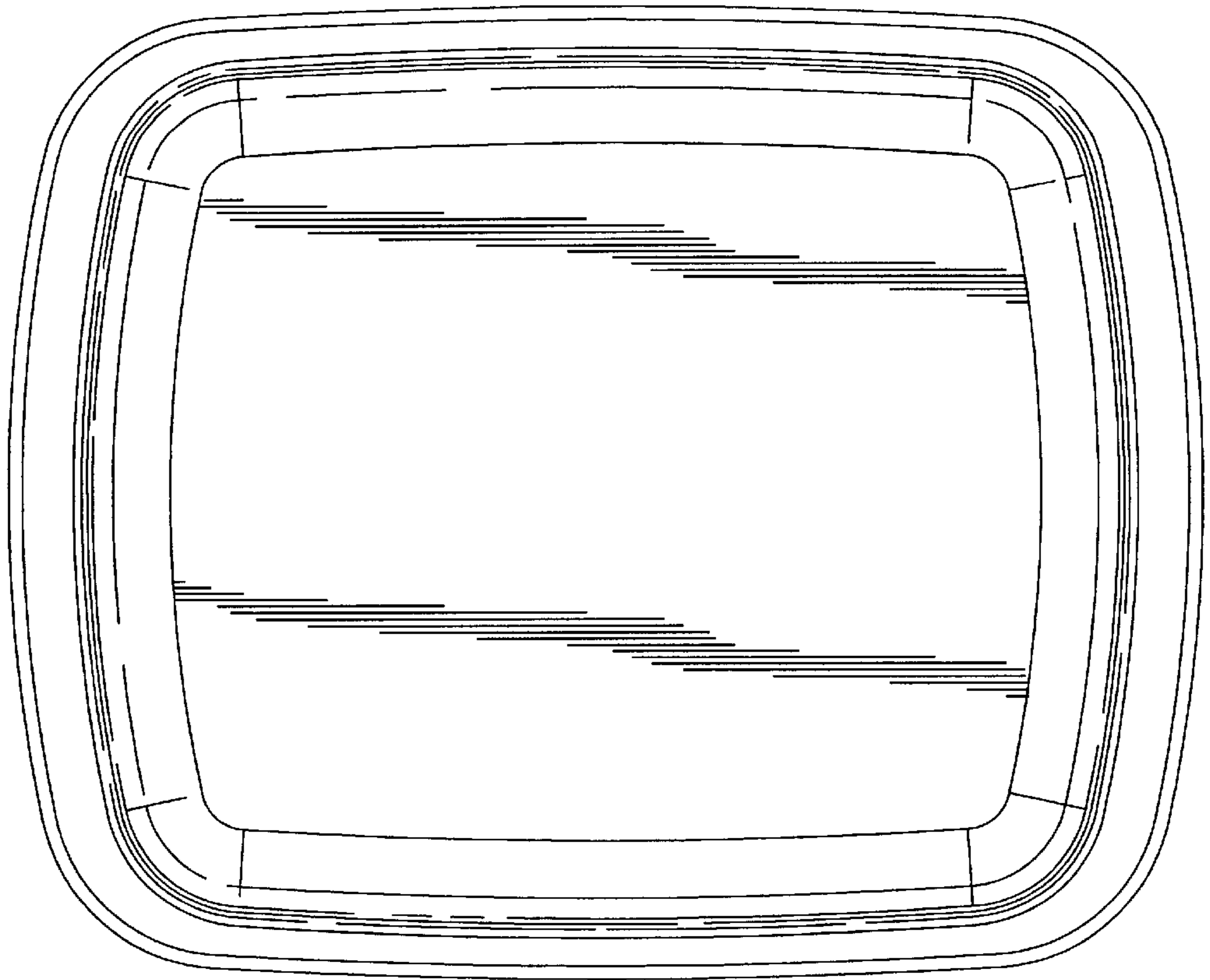


FIG.-18

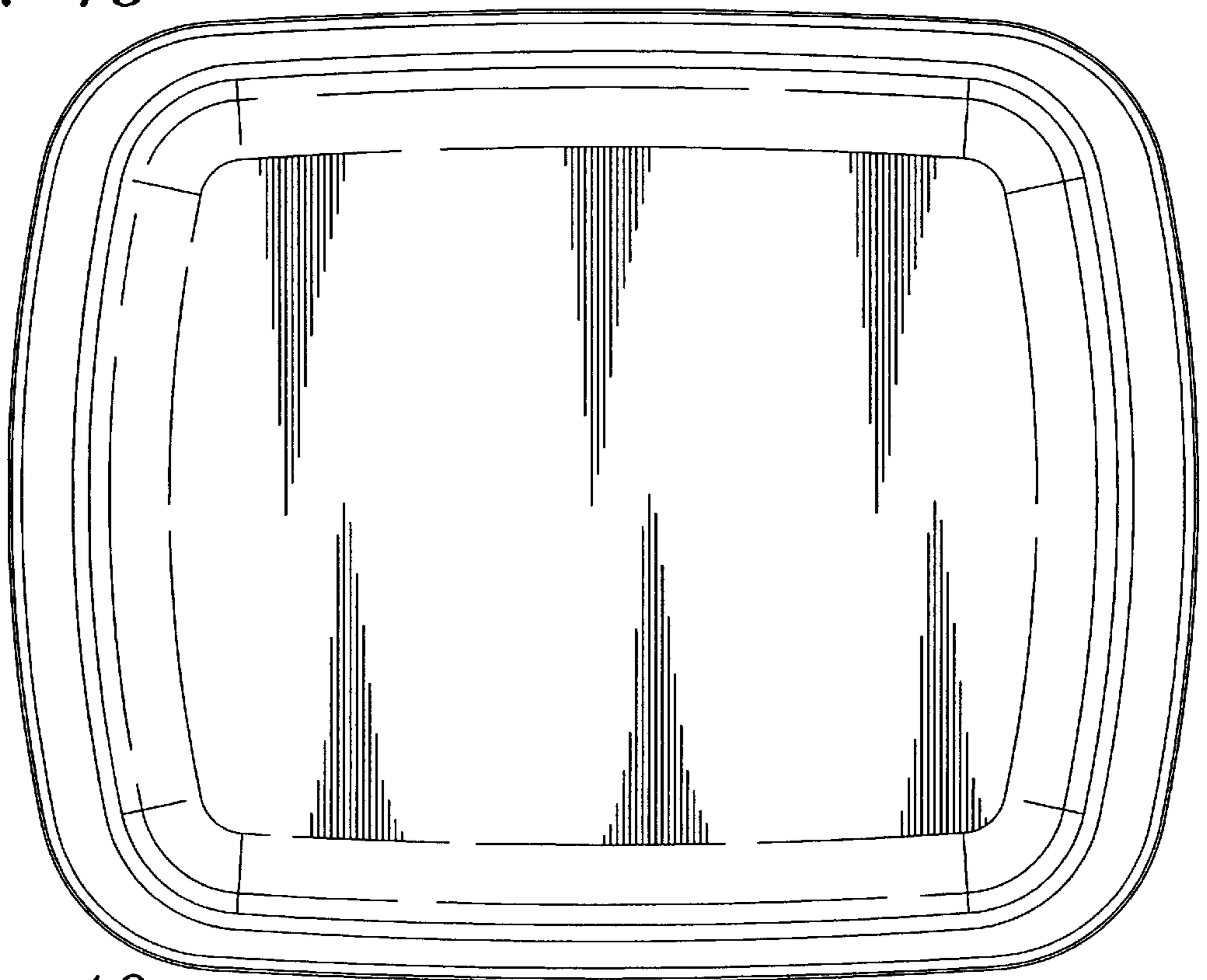


FIG.-19