



US00D449494B1

(12) **United States Design Patent**  
**Cousins**

(10) **Patent No.:** **US D449,494 S**

(45) **Date of Patent:** **\*\* Oct. 23, 2001**

(54) **HANGING FOOD STORAGE CONTAINER**

(75) **Inventor:** **Morison S. Cousins, Winter Park, FL (US)**

(73) **Assignee:** **Dart Industries Inc, Orlando, FL (US)**

(\*\*) **Term:** **14 Years**

(21) **Appl. No.:** **29/122,021**

(22) **Filed:** **Apr. 17, 2000**

(51) **LOC (7) Cl.** ..... **07-06**

(52) **U.S. Cl.** ..... **D7/629**

(58) **Field of Search** ..... D7/601, 602, 629,  
D7/538-548; D9/414, 424-432; 220/244,  
780-795, 810, 796-806, 376, 675

(56) **References Cited**

**U.S. PATENT DOCUMENTS**

- D. 244,741 6/1977 Daenen .
- D. 266,977 \* 11/1982 Jensen ..... D7/543
- D. 309,105 7/1990 Fisher et al. .

- D. 330,309 \* 10/1992 Minuti ..... D7/538
- D. 347,969 \* 6/1994 Cousins et al. .... D7/548
- D. 385,462 \* 10/1997 Ferris ..... D7/543
- 2,222,882 11/1940 Shames .

\* cited by examiner

*Primary Examiner*—Terry A. Wallace

(74) *Attorney, Agent, or Firm*—Taylor J. Ross

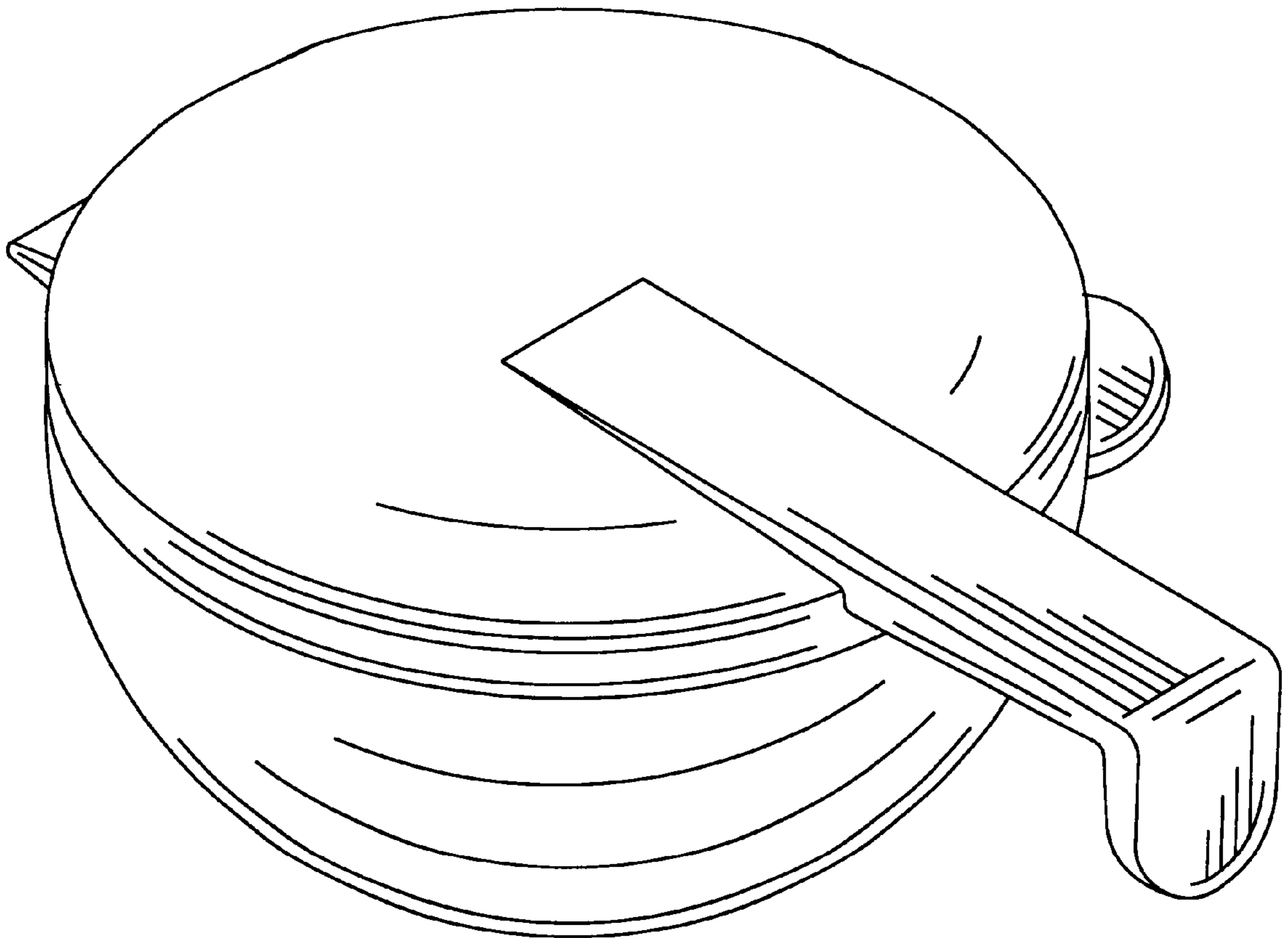
(57) **CLAIM**

The ornamental design for a hanging food storage container, as shown and described.

**DESCRIPTION**

FIG. 1 is a top, side and front perspective view of a hanging food storage container showing the new design;  
 FIG. 2 is a right side elevation view thereof;  
 FIG. 3 is a left side elevation view thereof;  
 FIG. 4 is a top plan view thereof;  
 FIG. 5 is a bottom plan view thereof;  
 FIG. 6 is a front elevational view thereof; and,  
 FIG. 7 is a rear elevation view thereof.

**1 Claim, 3 Drawing Sheets**



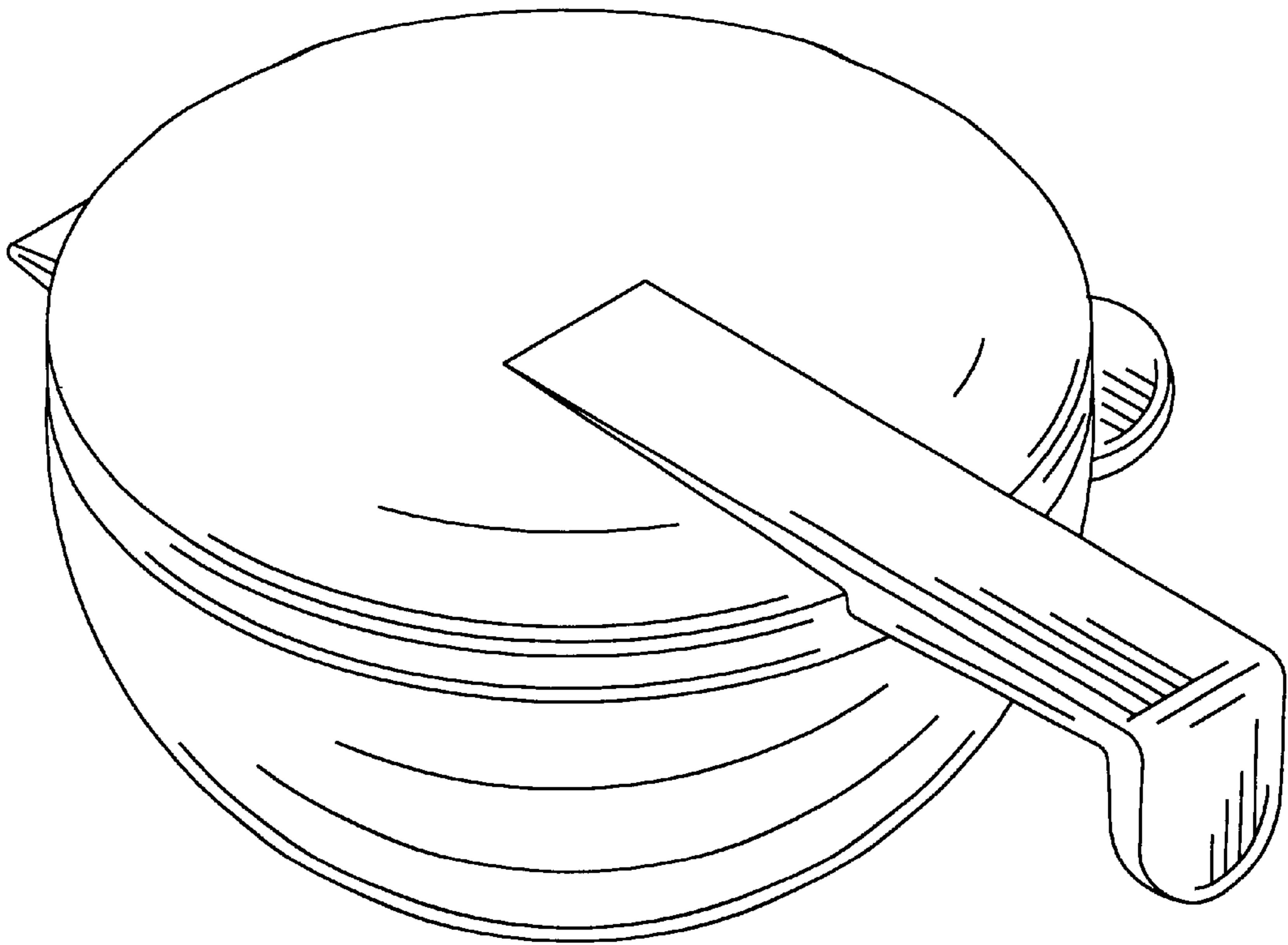


FIG. 1

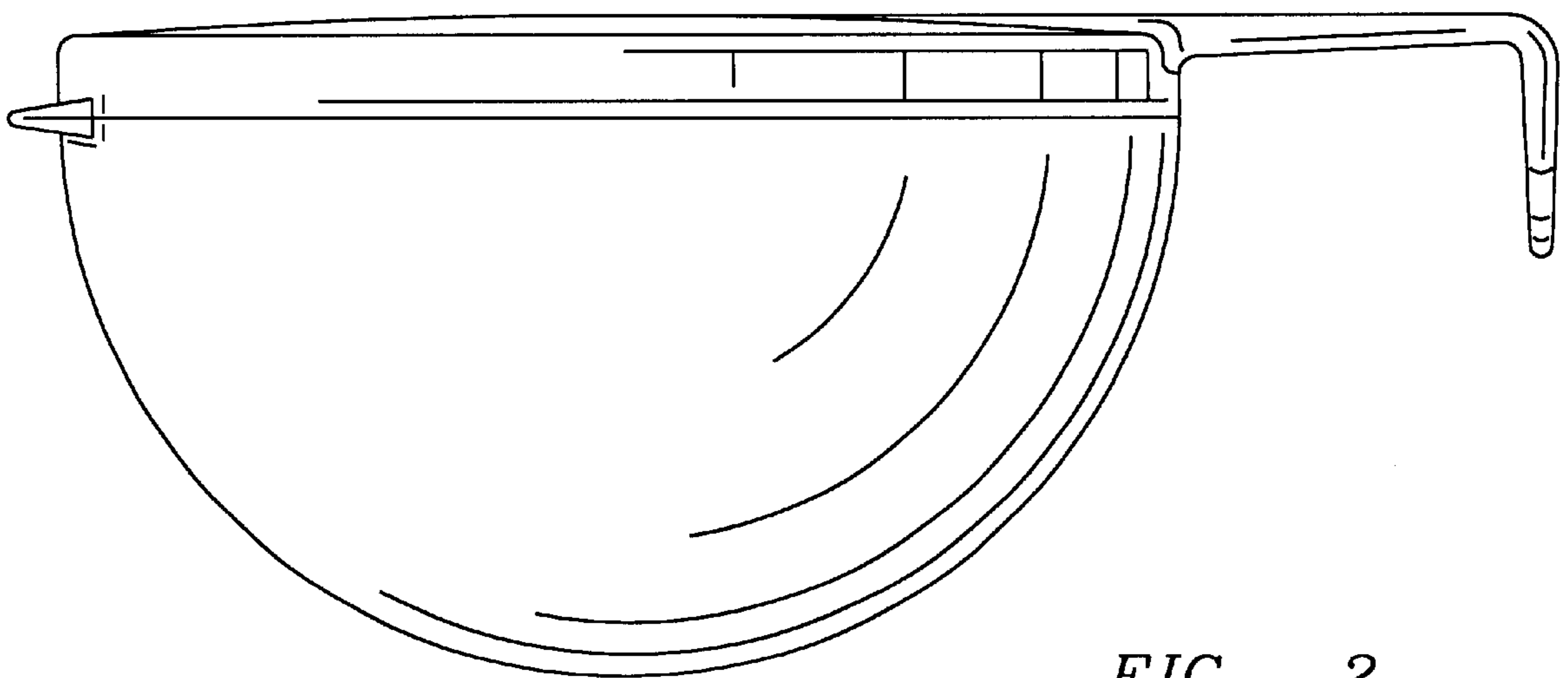


FIG. 2

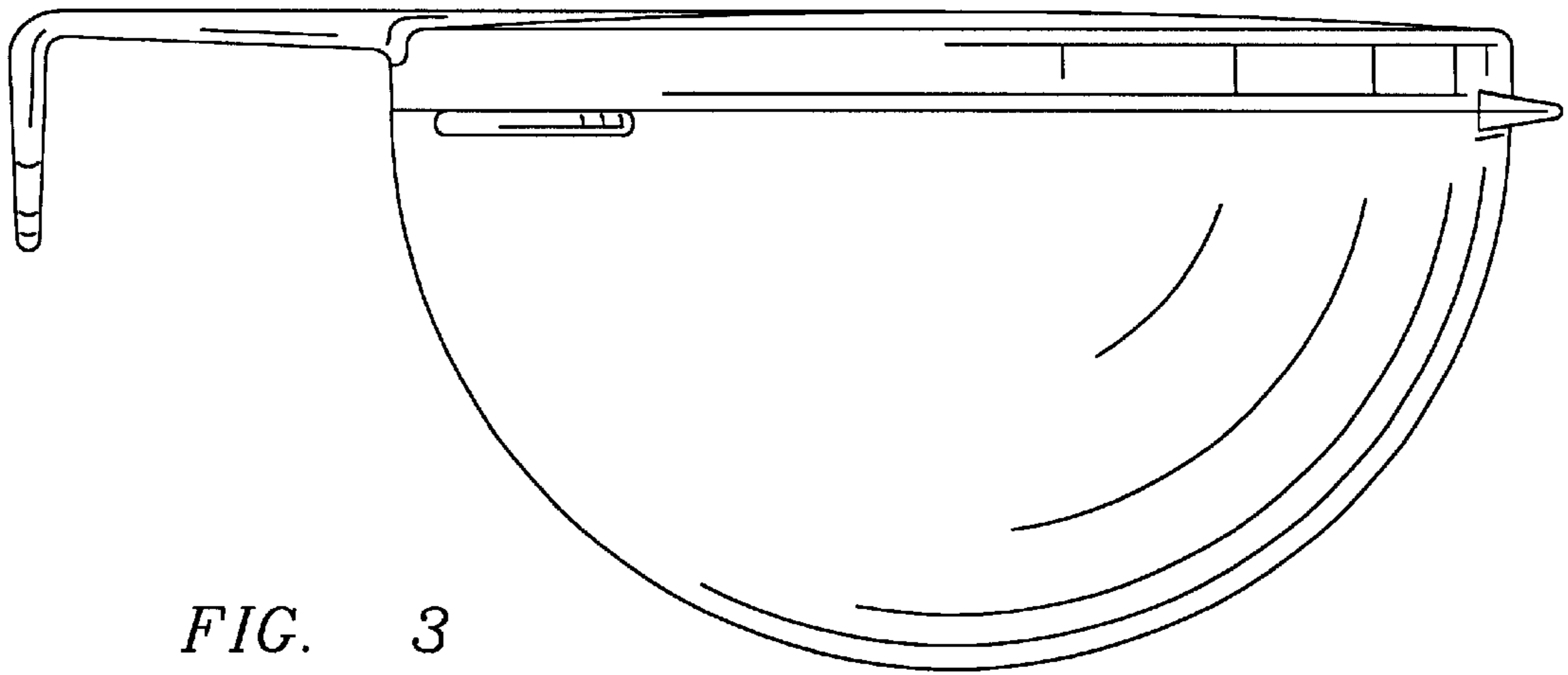


FIG. 3

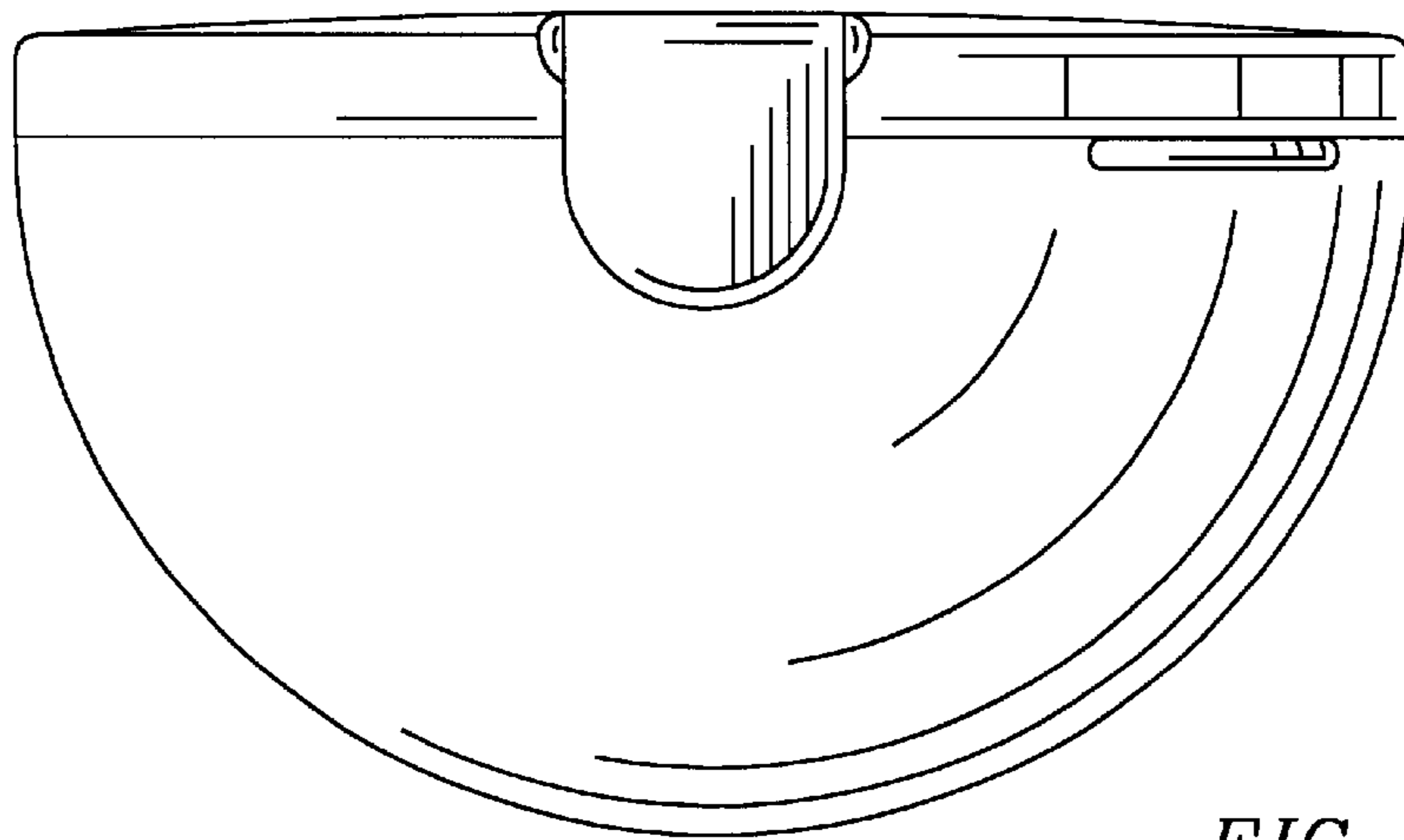


FIG. 4

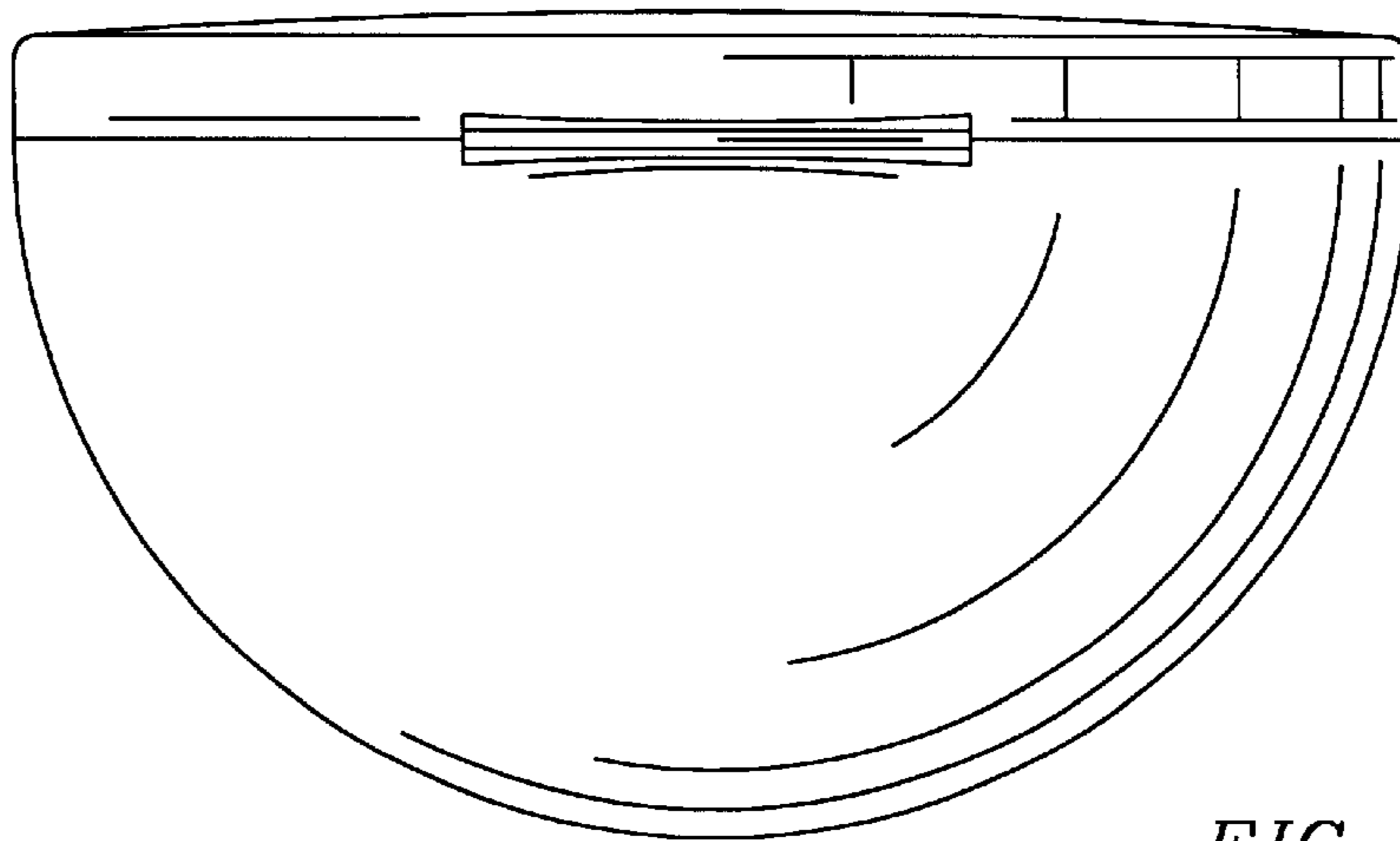


FIG. 5

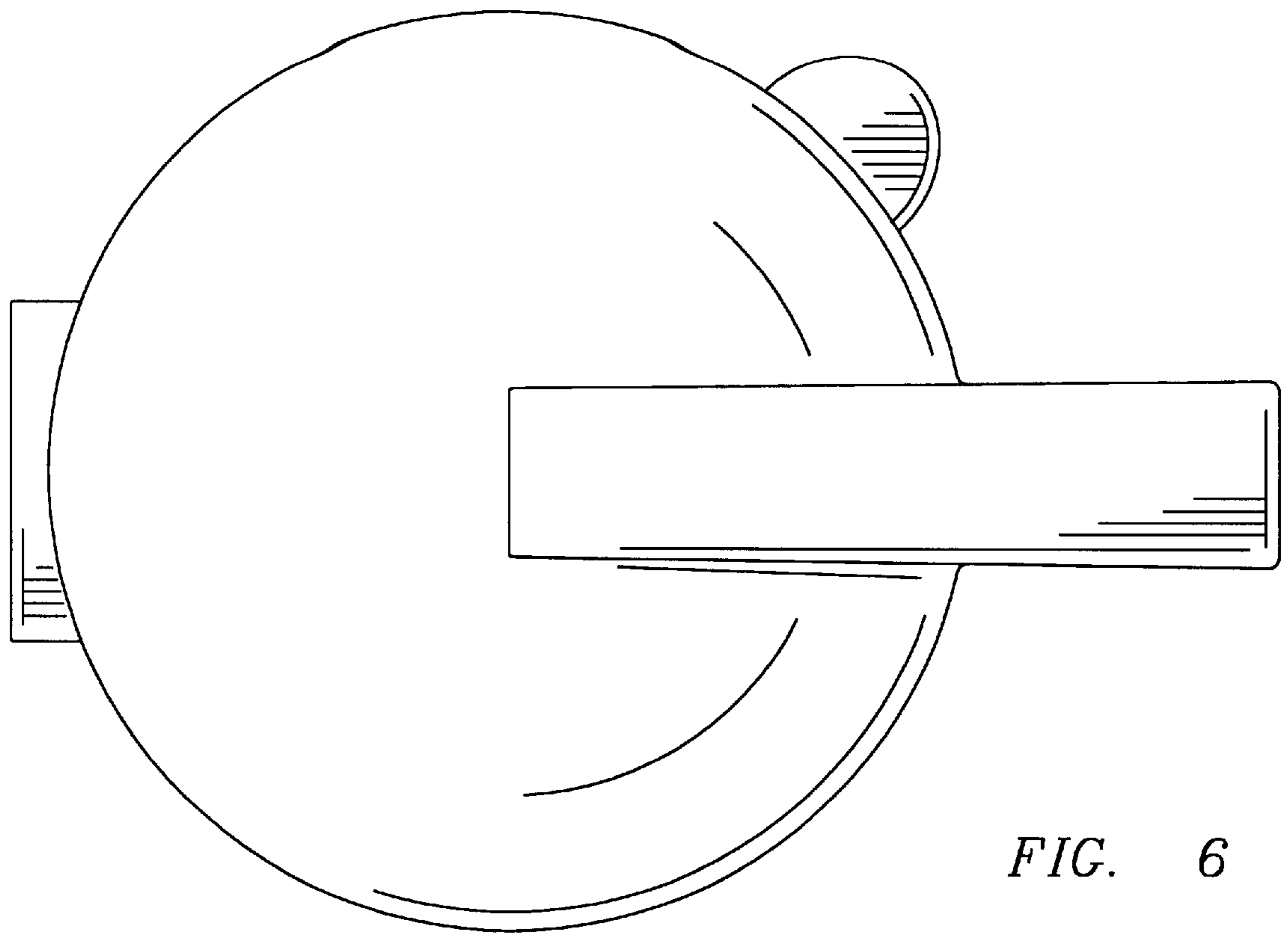


FIG. 6

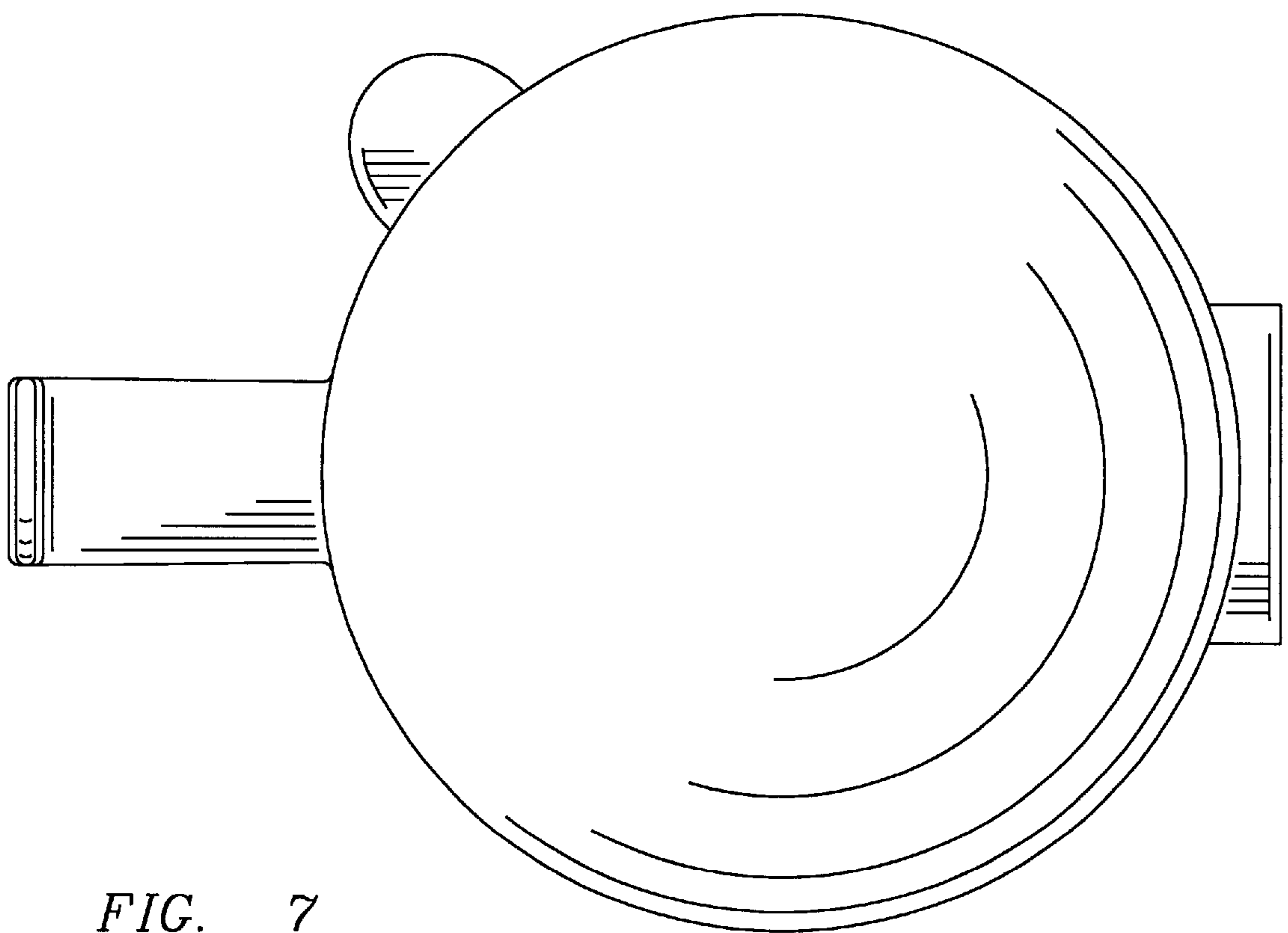


FIG. 7