



US00D449492B1

(12) **United States Design Patent**  
**Wagner et al.**

(10) **Patent No.:** **US D449,492 S**

(45) **Date of Patent:** **\*\* \*Oct. 23, 2001**

(54) **CASTING FOR BARBECUE GRILL**

(75) Inventors: **Wesley J. Wagner**, Columbus; **Sam Zaidspiner**, Lawrenceville, both of GA (US)

(73) Assignee: **W. C. Bradley Company**, Columbus, GA (US)

(\* ) Notice: This patent is subject to a terminal disclaimer.

(\*\*) Term: **14 Years**

(21) Appl. No.: **29/092,289**

(22) Filed: **Aug. 14, 1998**

(51) **LOC (7) Cl.** ..... **07-02**

(52) **U.S. Cl.** ..... **D7/402; D7/332**

(58) **Field of Search** ..... D7/332-338, 402-404; 126/275 R, 275 E, 19 M, 19 R, 21 A, 25 R, 25 A, 25 AA, 29-30, 9 R, 9 A, 9 B, 39 R, 41 R, 40; 219/10.55 R, 10.55 A, 10.55 B, 10.55 C, 403, 386; 99/340-341, 419, 421 R, 421 H, 446, 450

(56) **References Cited**

**U.S. PATENT DOCUMENTS**

D. 287,214 \* 12/1986 Koziol ..... D7/332

D. 287,215 \* 12/1986 Koziol ..... D7/332  
D. 373,701 \* 9/1996 Moore ..... D7/334  
D. 406,005 \* 2/1999 Wagner et al. .... D7/335  
D. 406,009 \* 2/1999 Wagner et al. .... D7/402  
D. 406,489 \* 3/1999 Williams et al. .... D7/334  
5,927,267 \* 7/1999 McKenzie ..... 126/41 R

\* cited by examiner

*Primary Examiner*—Ruth McInroy

(74) *Attorney, Agent, or Firm*—James W. Kayden; Thomas, Kayden, Horstemeyer & Risley

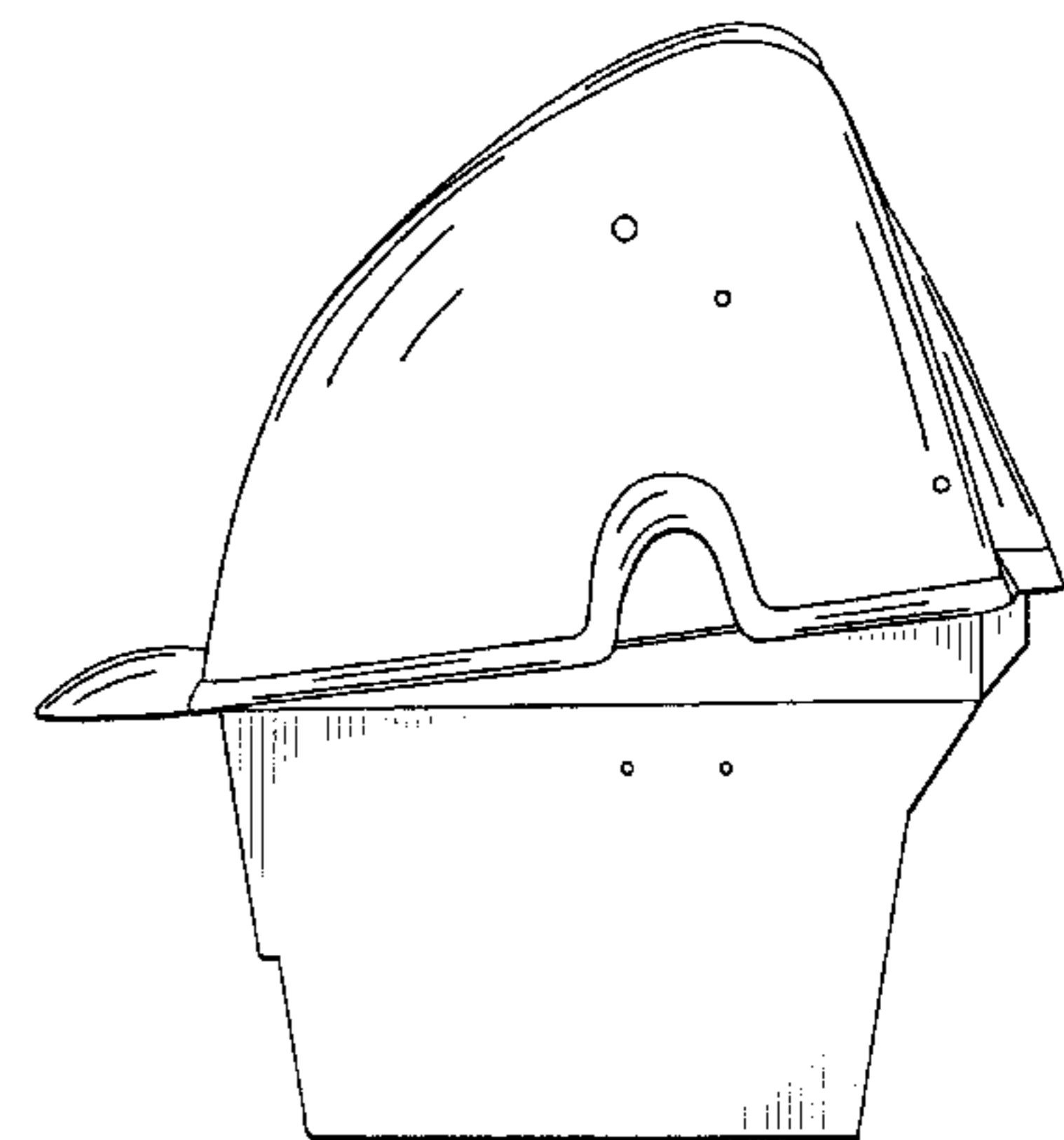
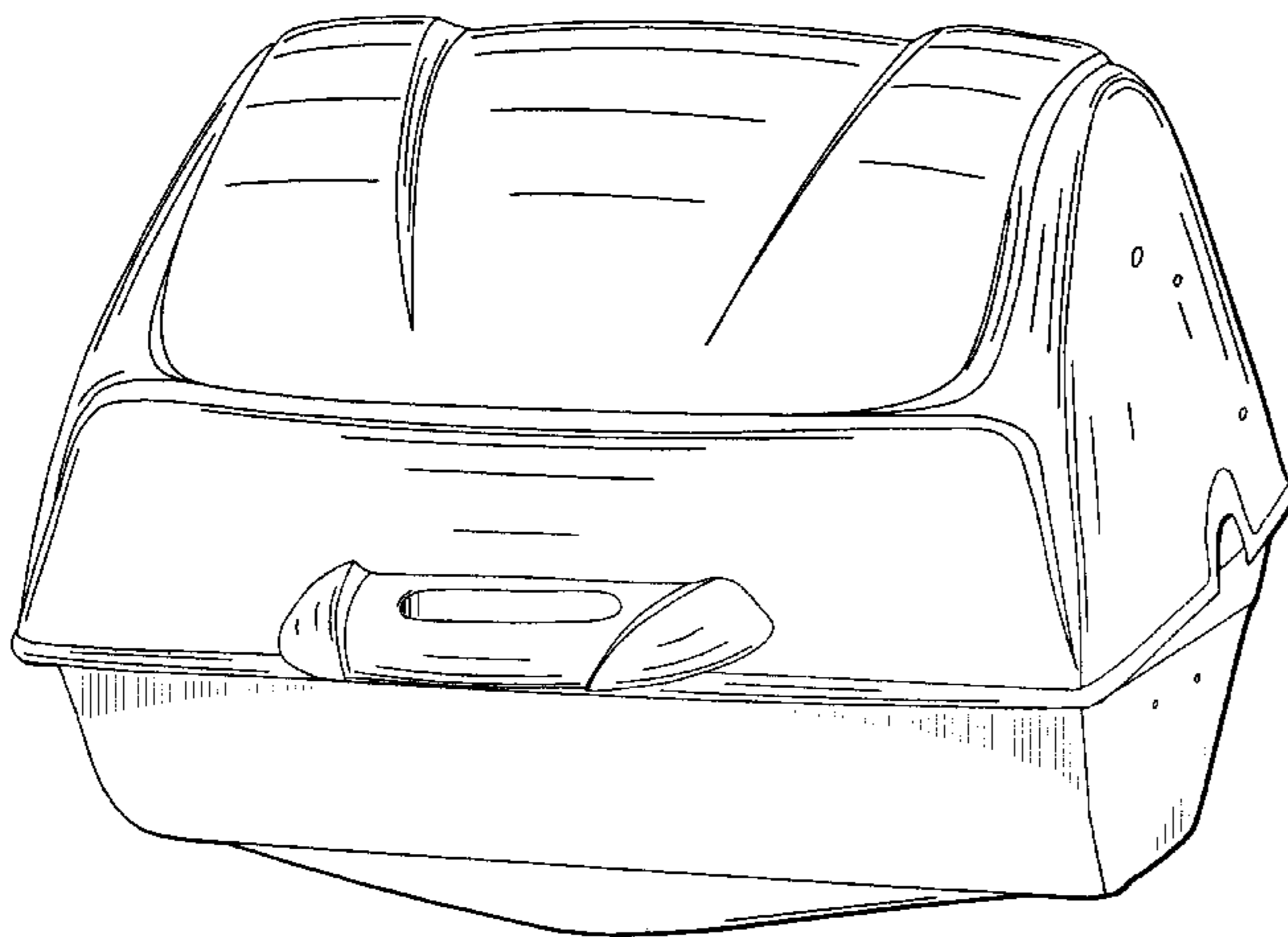
(57) **CLAIM**

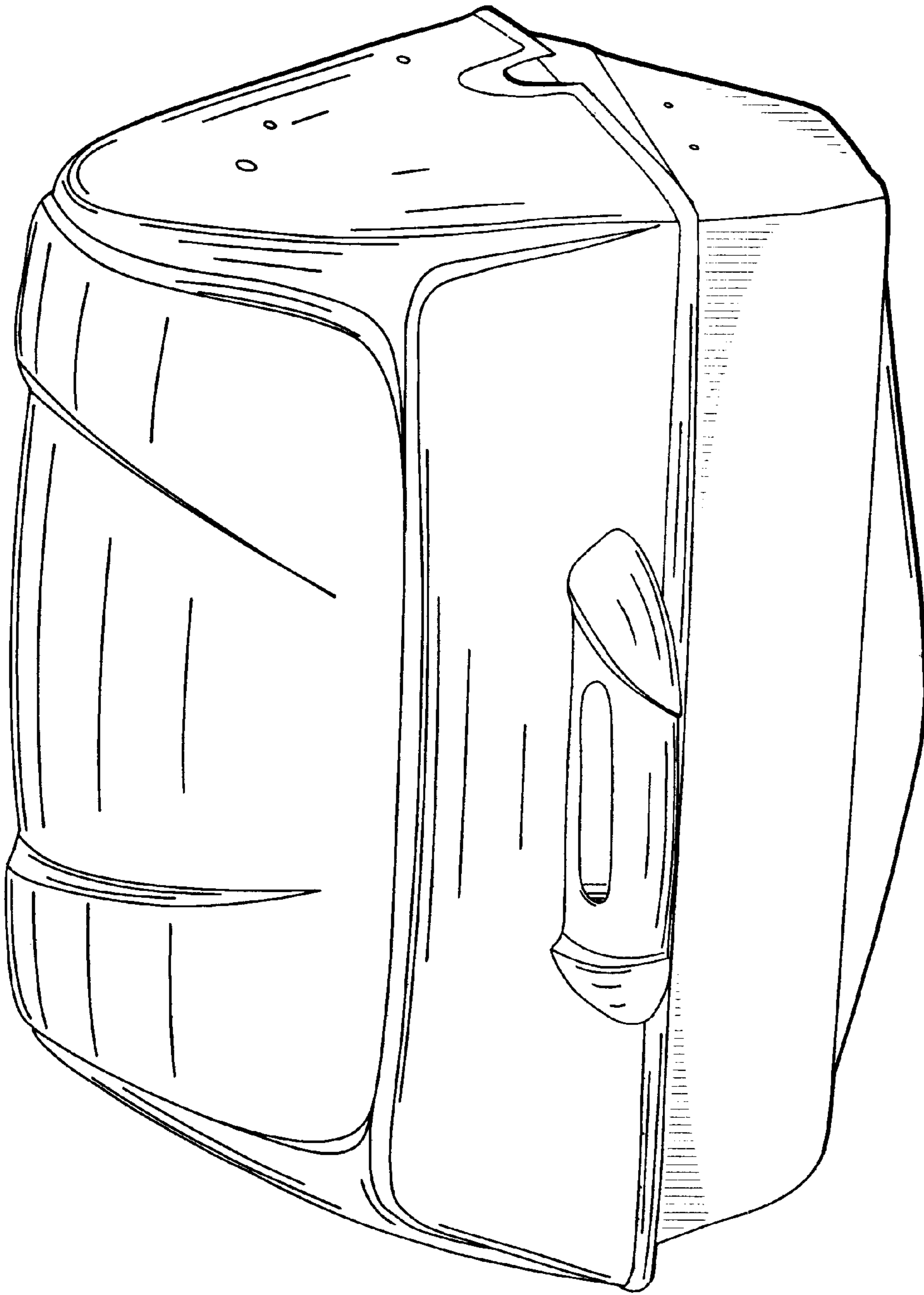
The ornamental design of a casting for barbecue grill, as shown and described.

**DESCRIPTION**

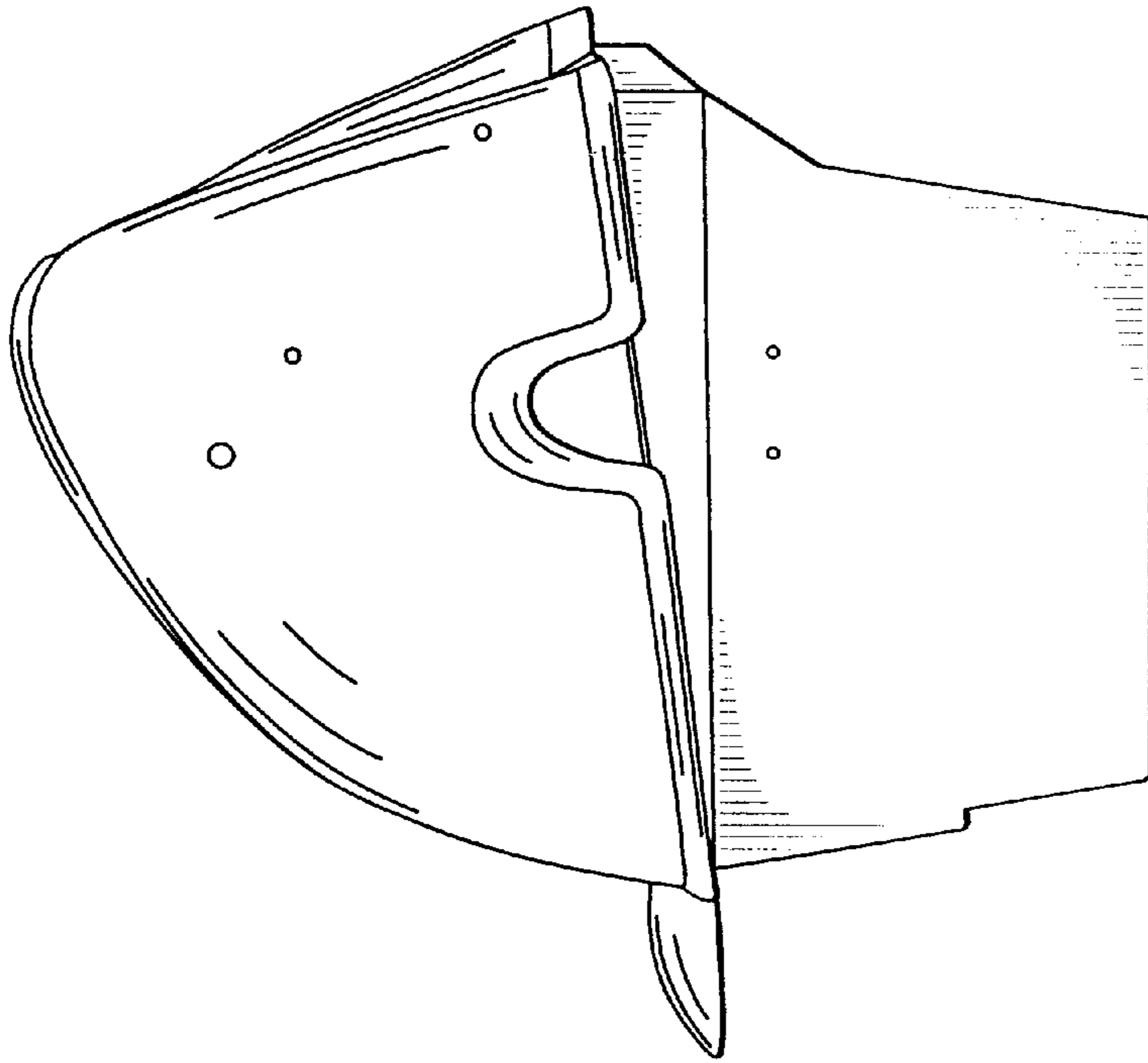
FIG. 1 is a perspective view of a casting for a barbecue grill showing our new design;  
FIG. 2 is a front elevational view thereof;  
FIG. 3 is a right side elevational view thereof;  
FIG. 4 is a left side elevational view thereof;  
FIG. 5 is a rear elevational view thereof;  
FIG. 6 is a top plan view thereof; and,  
FIG. 7 is a bottom plan view thereof.

**1 Claim, 4 Drawing Sheets**

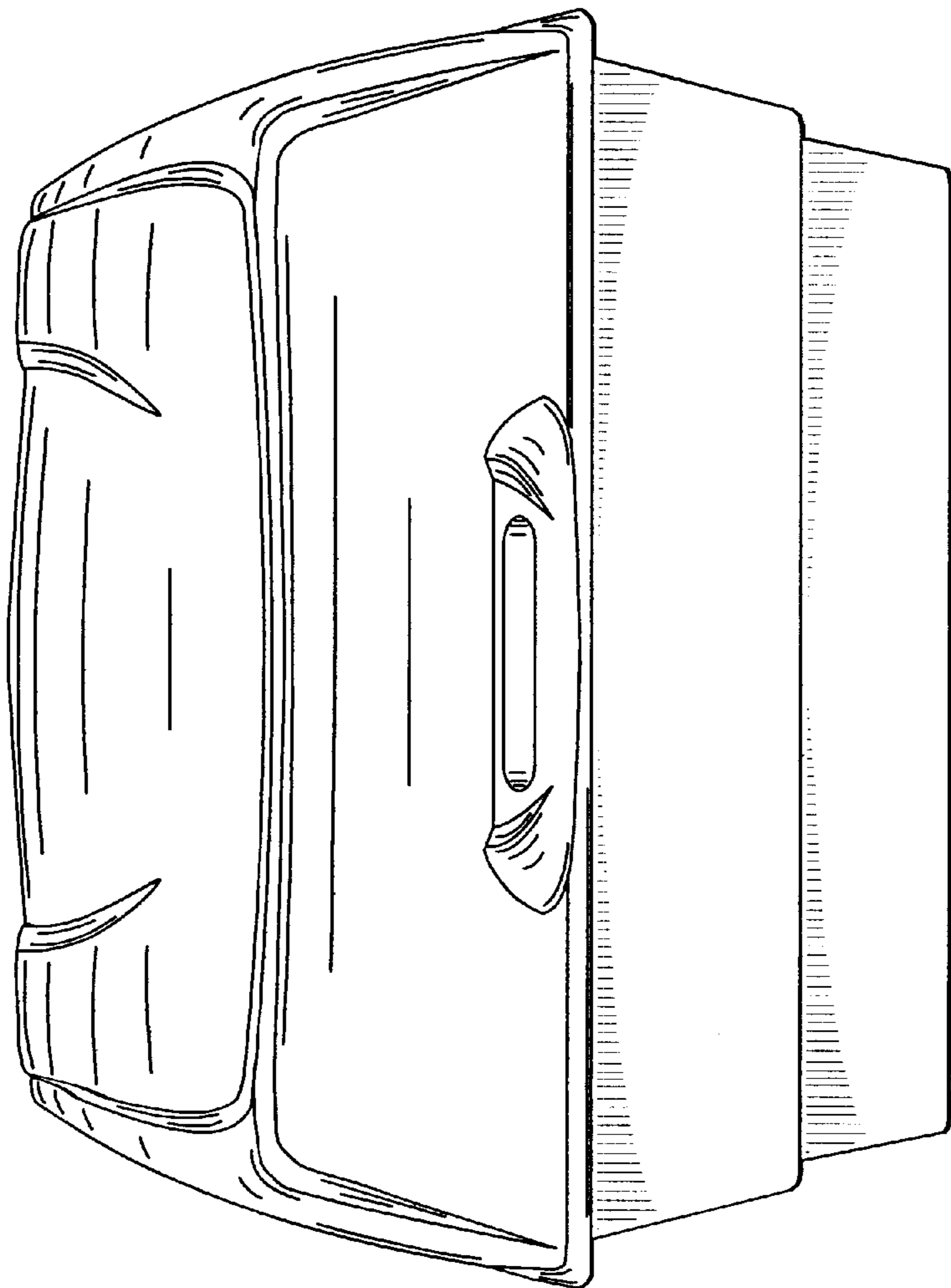




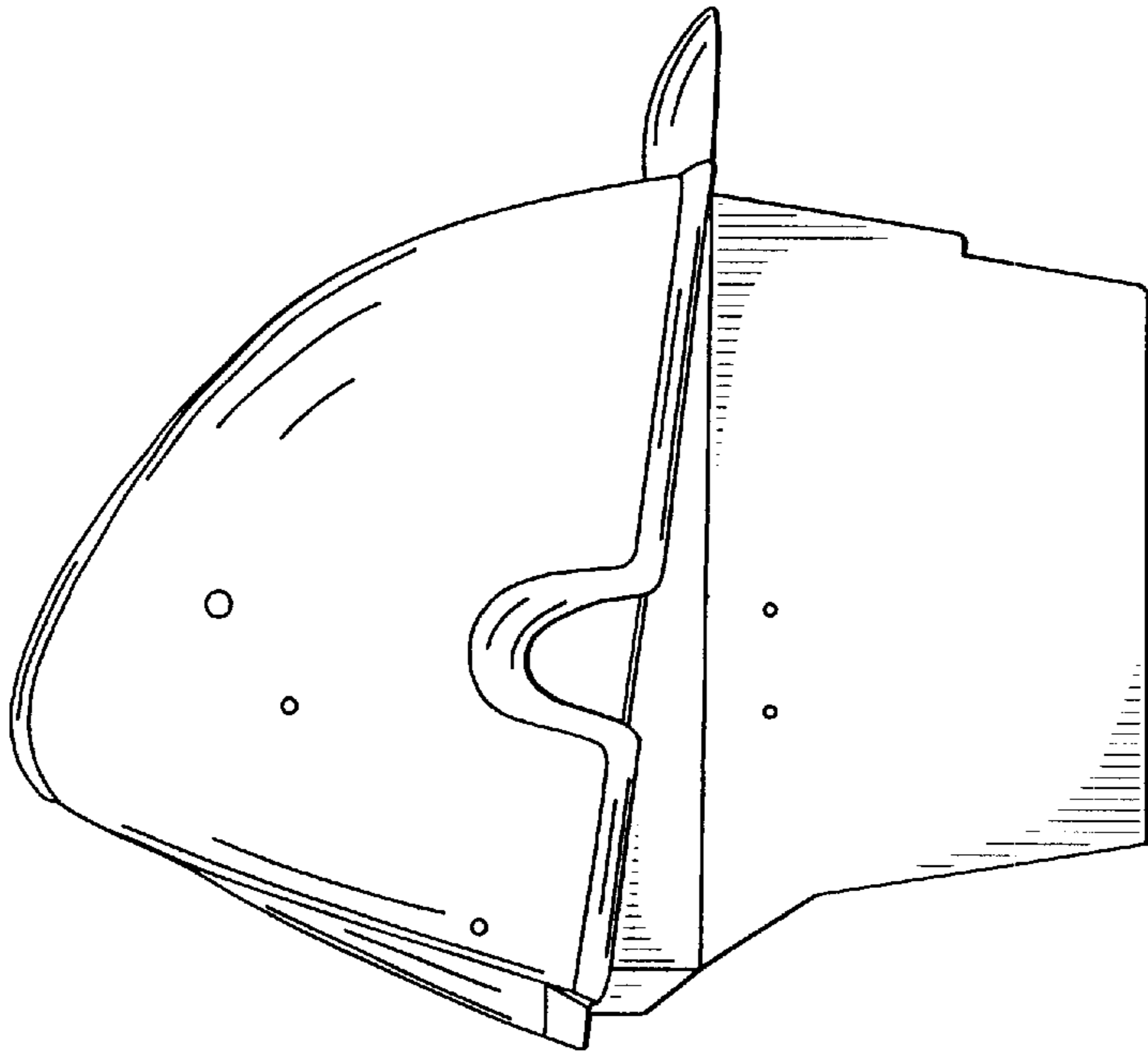
**FIG. 1**



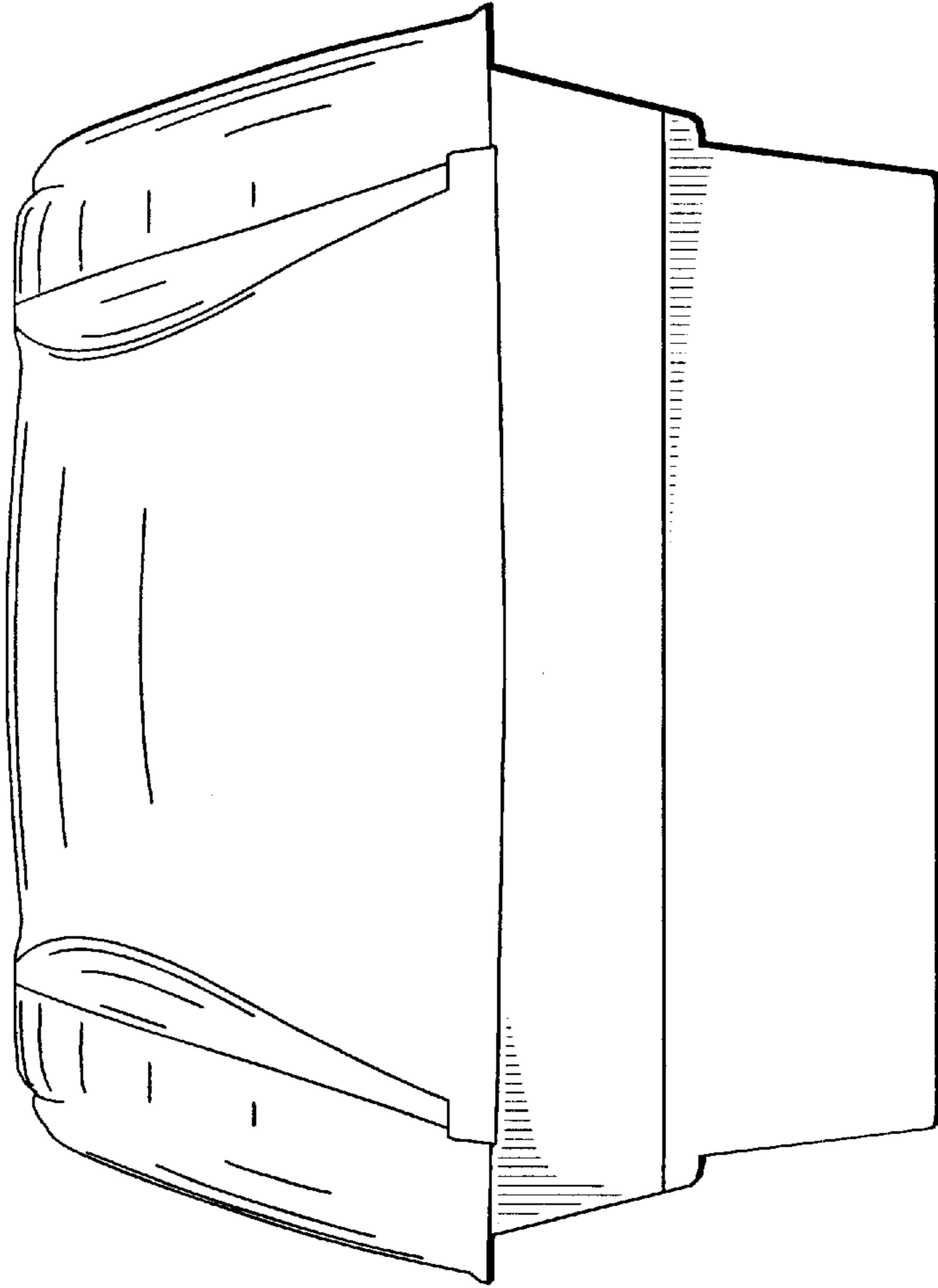
**FIG. 3**



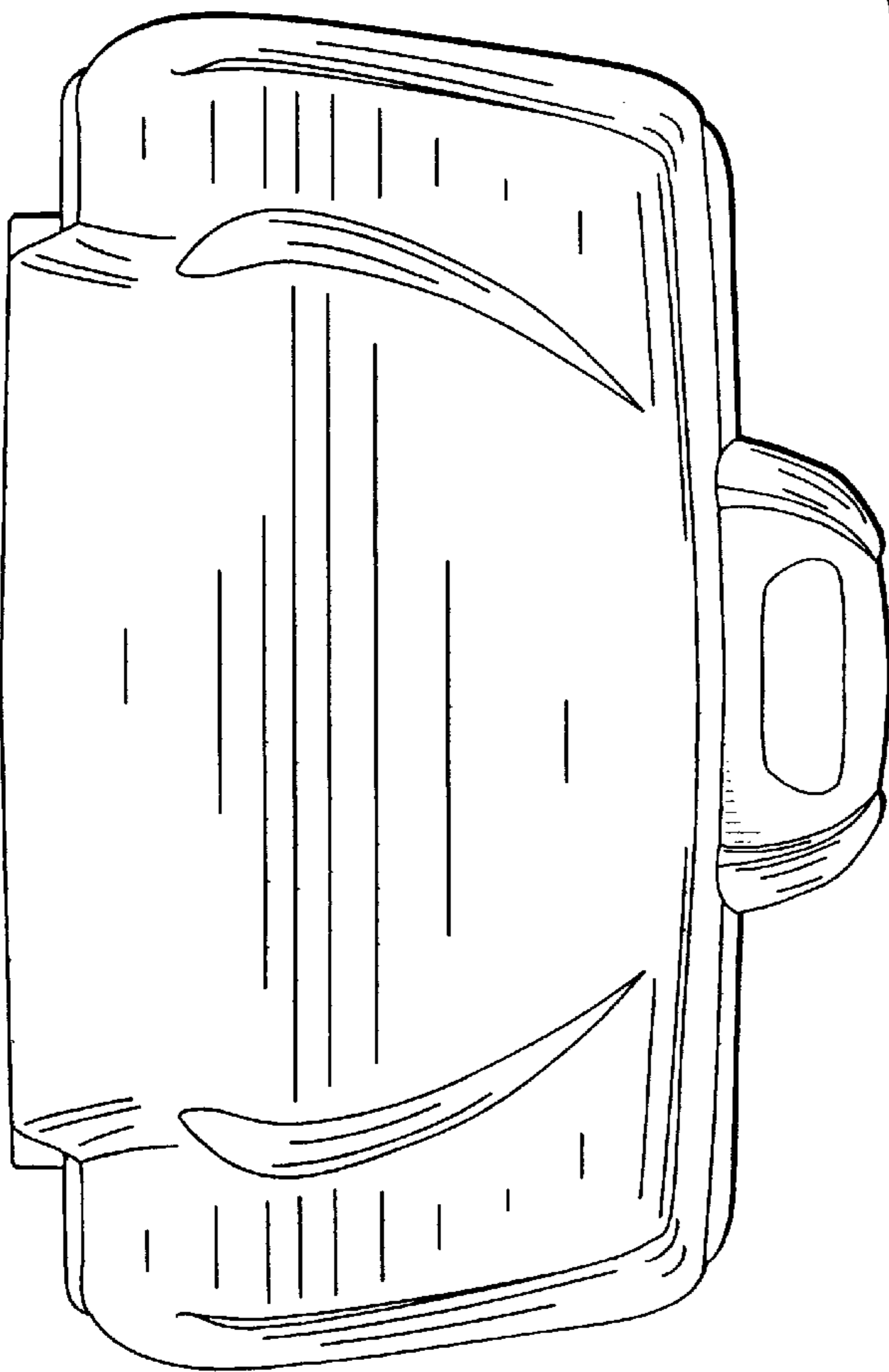
**FIG. 2**



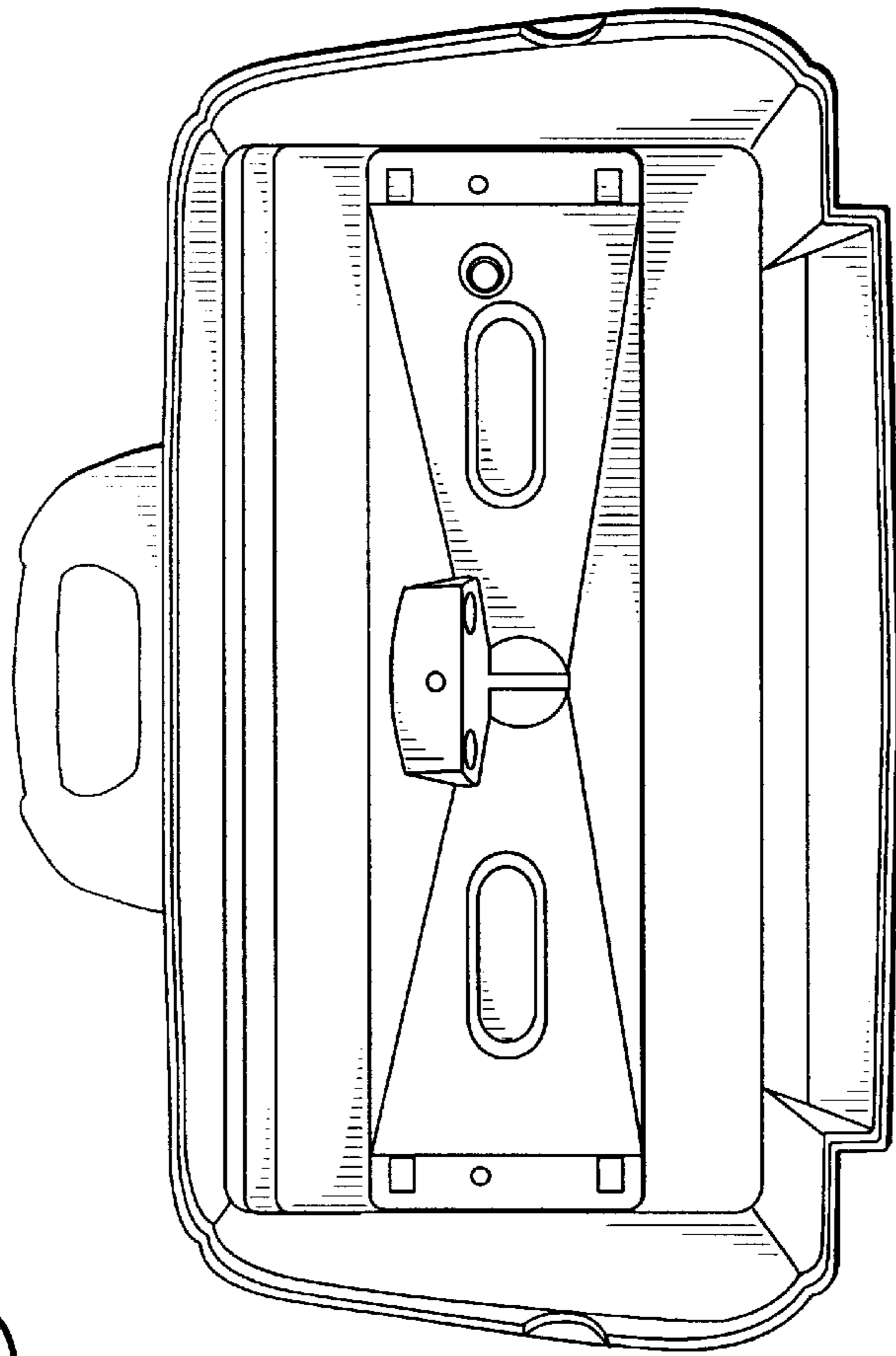
**FIG. 4**



**FIG. 5**



**FIG. 6**



**FIG. 7**