



US00D449489B1

(12) **United States Design Patent**
Trazzi

(10) **Patent No.:** **US D449,489 S**

(45) **Date of Patent:** **** Oct. 23, 2001**

(54) **COFFEE MACHINE**

(75) Inventor: **Luca Trazzi, Milan (IT)**

(73) Assignee: **Petervin S.A. (LU)**

(**) Term: **14 Years**

(21) Appl. No.: **29/120,623**

(22) Filed: **Mar. 23, 2000**

(51) **LOC (7) Cl.** **07-01**

(52) **U.S. Cl.** **D7/309; D7/311**

(58) **Field of Search** **D7/309, 310, 311;**
99/285, 293, 295, 283, 282; 219/506

(56) **References Cited**

U.S. PATENT DOCUMENTS

D. 304,408	*	11/1989	Beeren	D7/309
D. 324,621	*	3/1992	Haslacher	D7/309
D. 337,475	*	7/1993	Seiffert	D7/309
D. 339,499	*	9/1993	Seiffert	D7/309
D. 340,162	*	10/1993	Storsberg	D7/309
D. 342,860	*	1/1994	Azpiri	D7/309
D. 344,206	*	2/1994	Azpiri	D7/309

D. 361,691	*	8/1995	Maass, Jr.	D7/309
D. 380,334	*	7/1997	Lin	D7/309
D. 414,371	*	9/1999	Seiffert	D7/309
D. 423,863	*	5/2000	Lupi	D7/309
D. 427,002	*	6/2000	Lin	D7/309
D. 429,594	*	8/2000	Lin	D7/309

* cited by examiner

Primary Examiner—M. N. Pandozzi

(74) *Attorney, Agent, or Firm*—Rankin, Hill, Porter & Clark LLP

(57) **CLAIM**

The ornamental design for a coffee machine, as shown and described.

DESCRIPTION

FIG. 1 is a top plan view of a coffee machine according to my new design;

FIG. 2 is a left side elevational view thereof;

FIG. 3 is a right side elevational view thereof;

FIG. 4 is a front side elevational view thereof;

FIG. 5 is a rear side elevational view thereof; and,

FIG. 6 is a bottom plan view thereof.

1 Claim, 3 Drawing Sheets

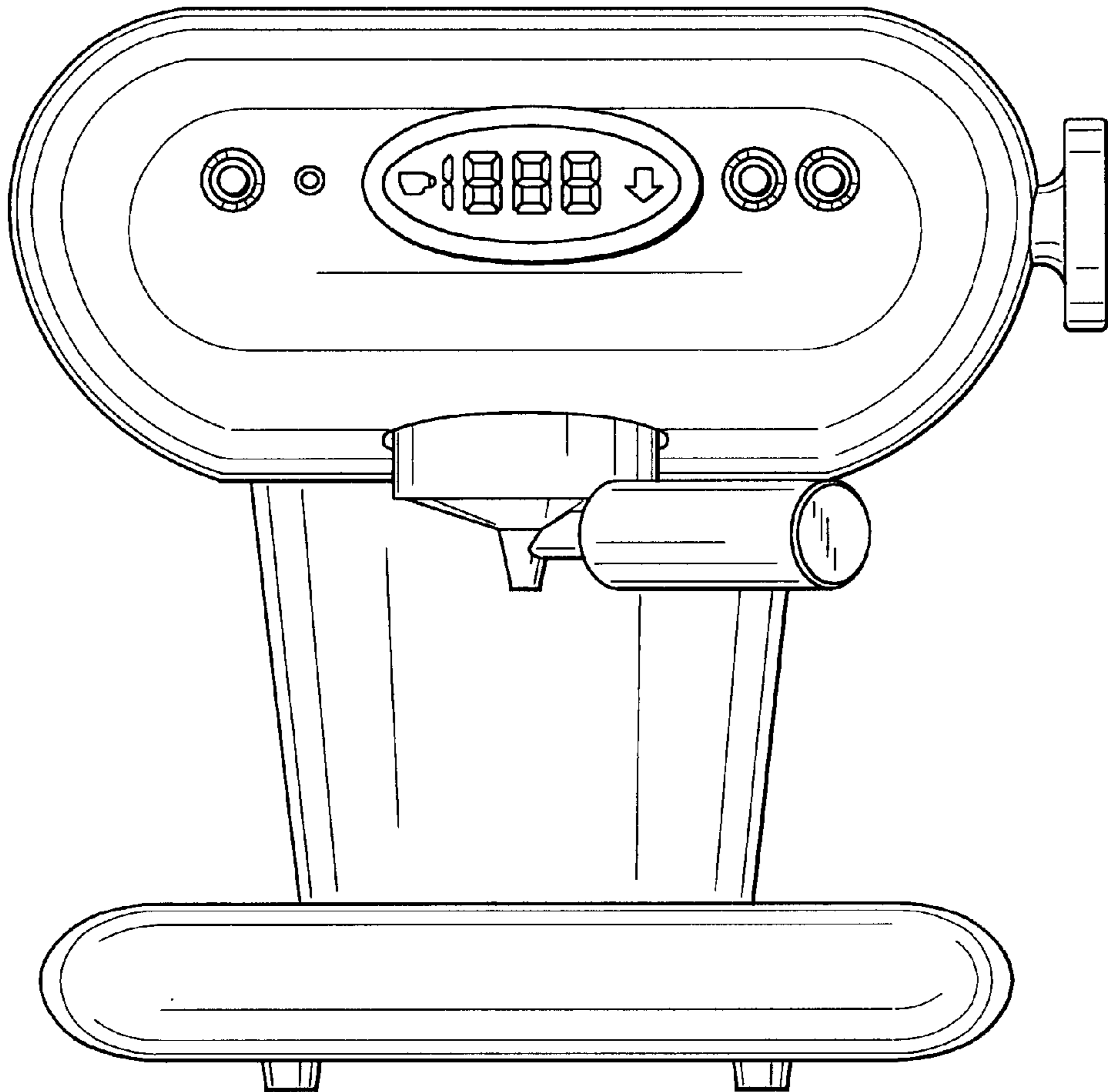


FIG. 1

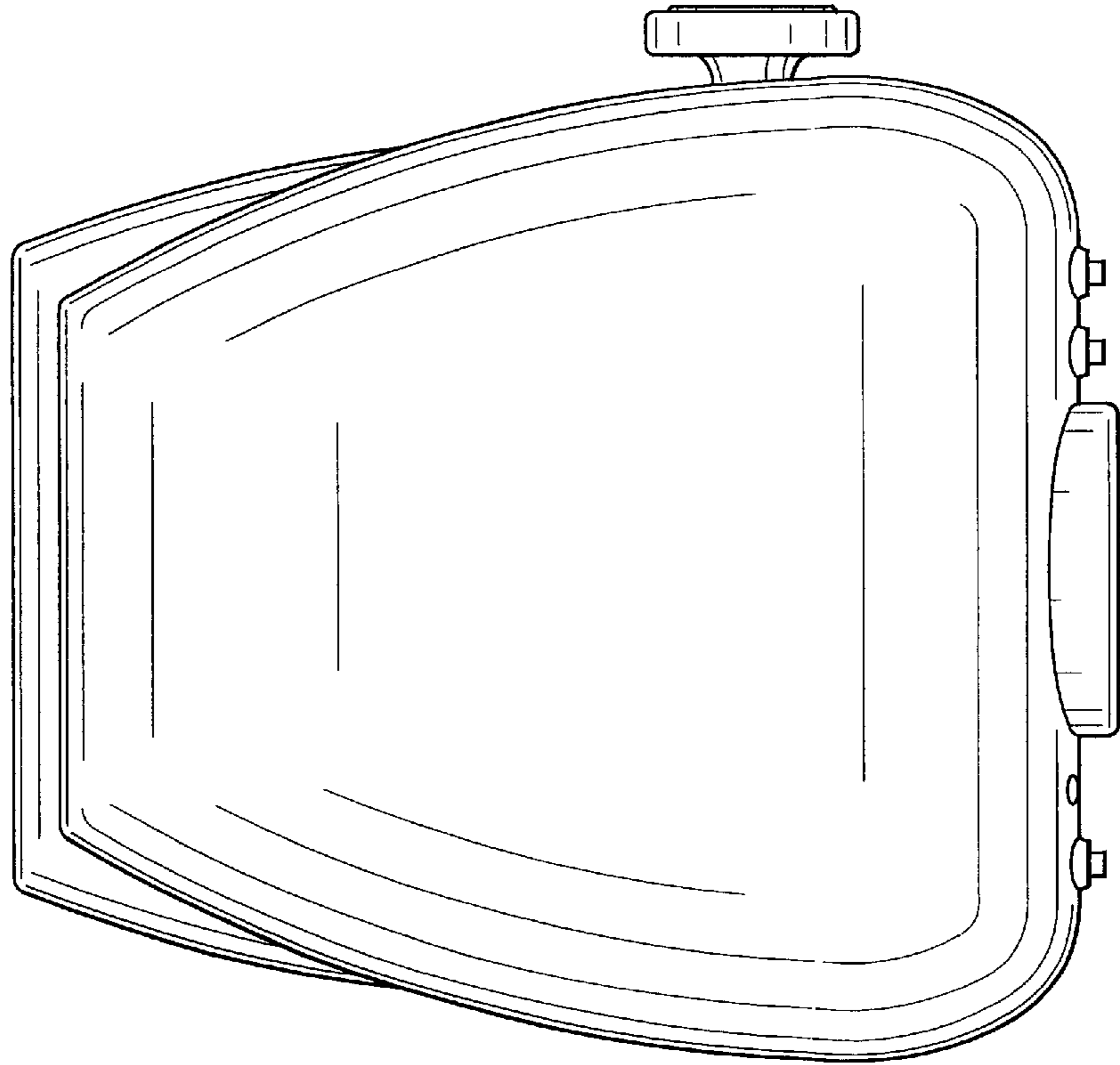


FIG. 2

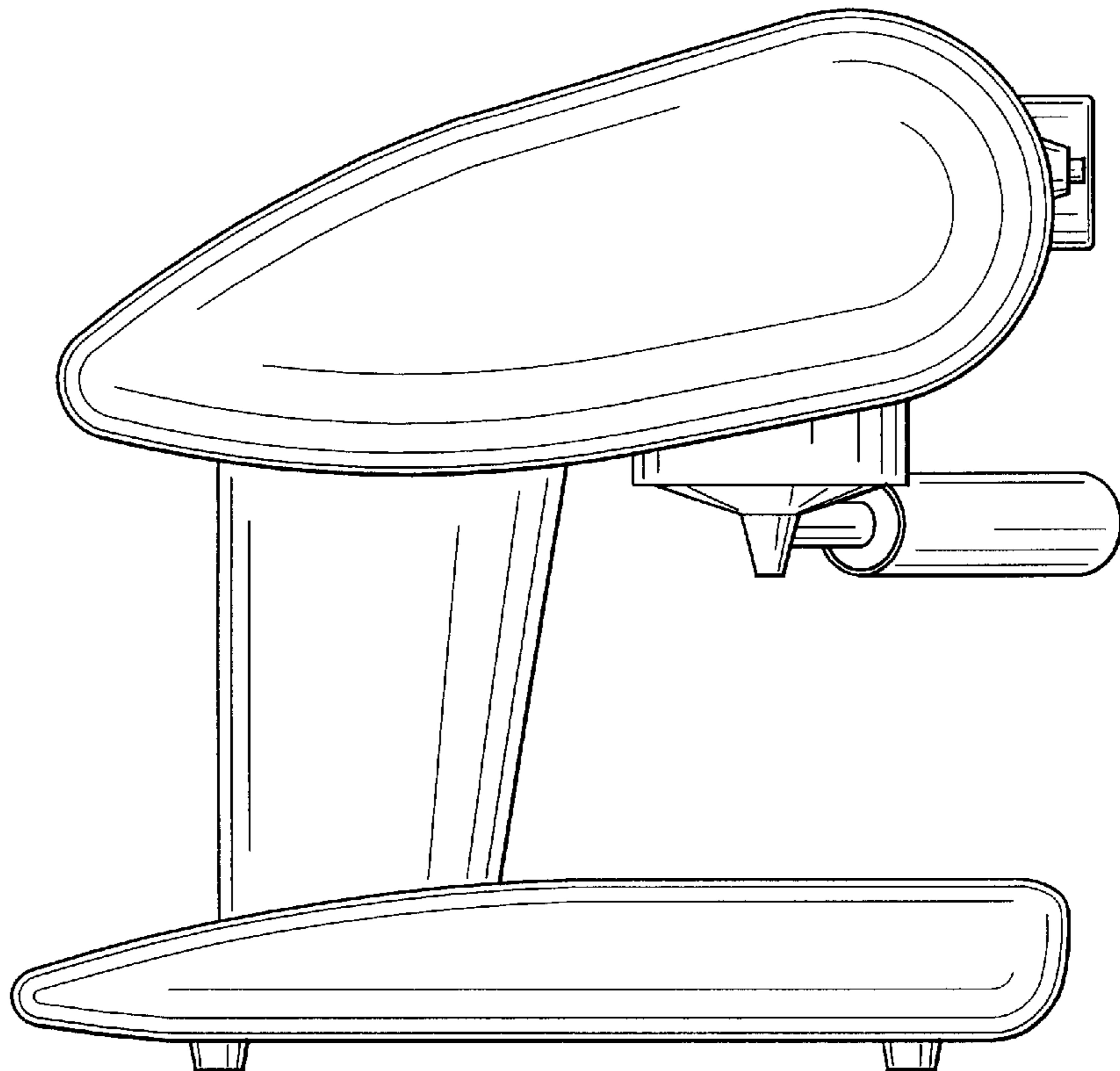


FIG. 3

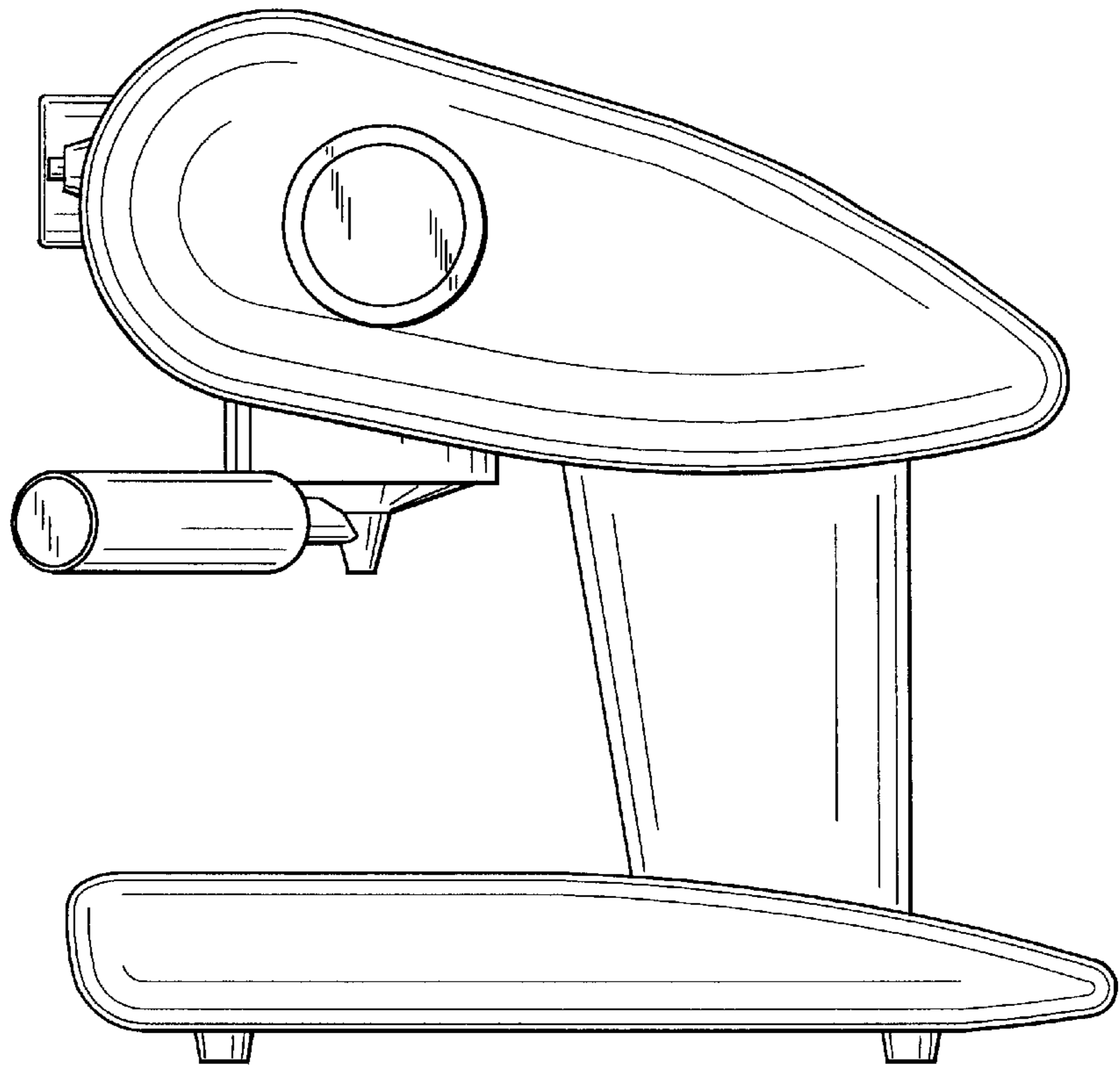


FIG. 4

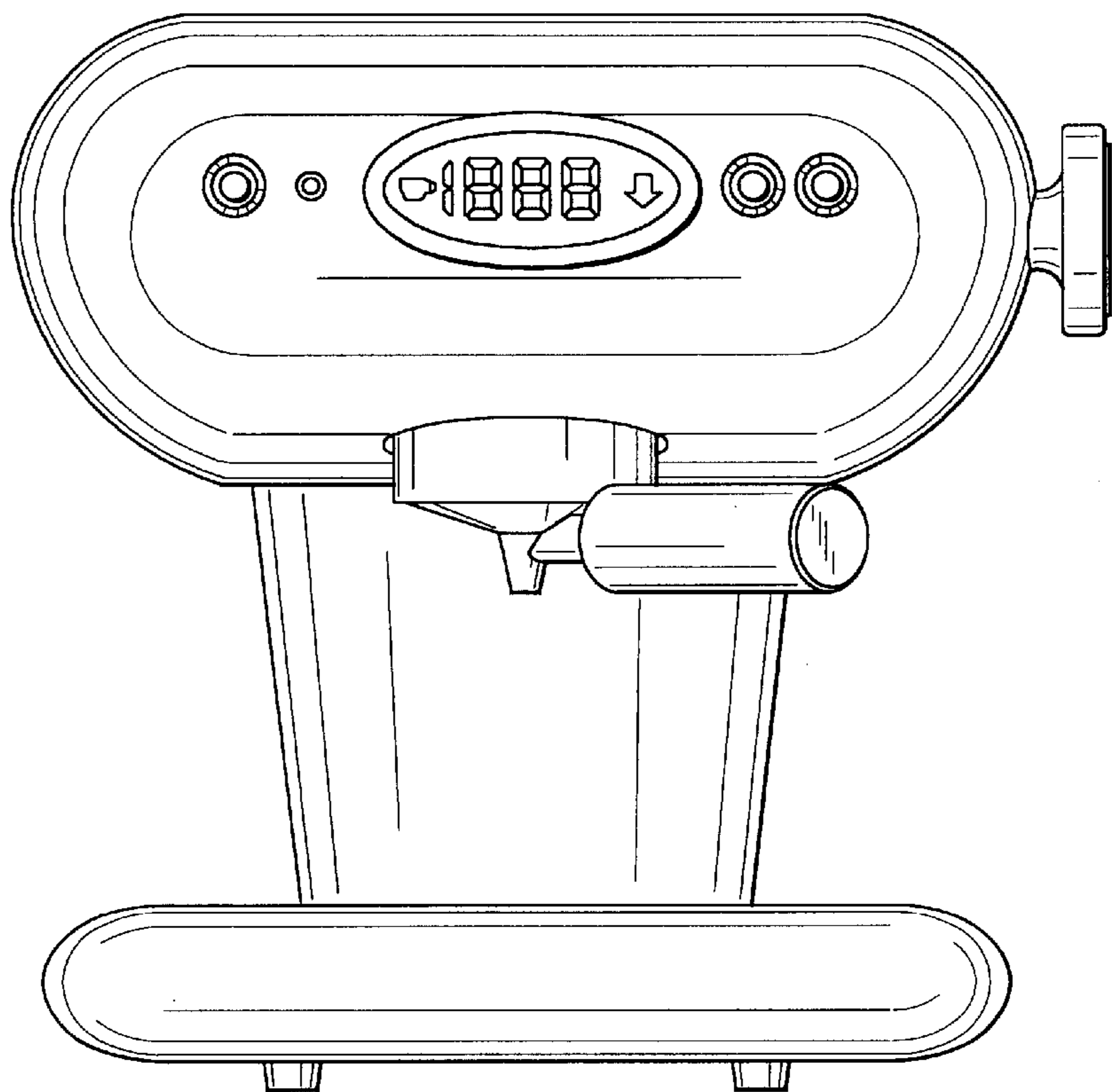


FIG. 5

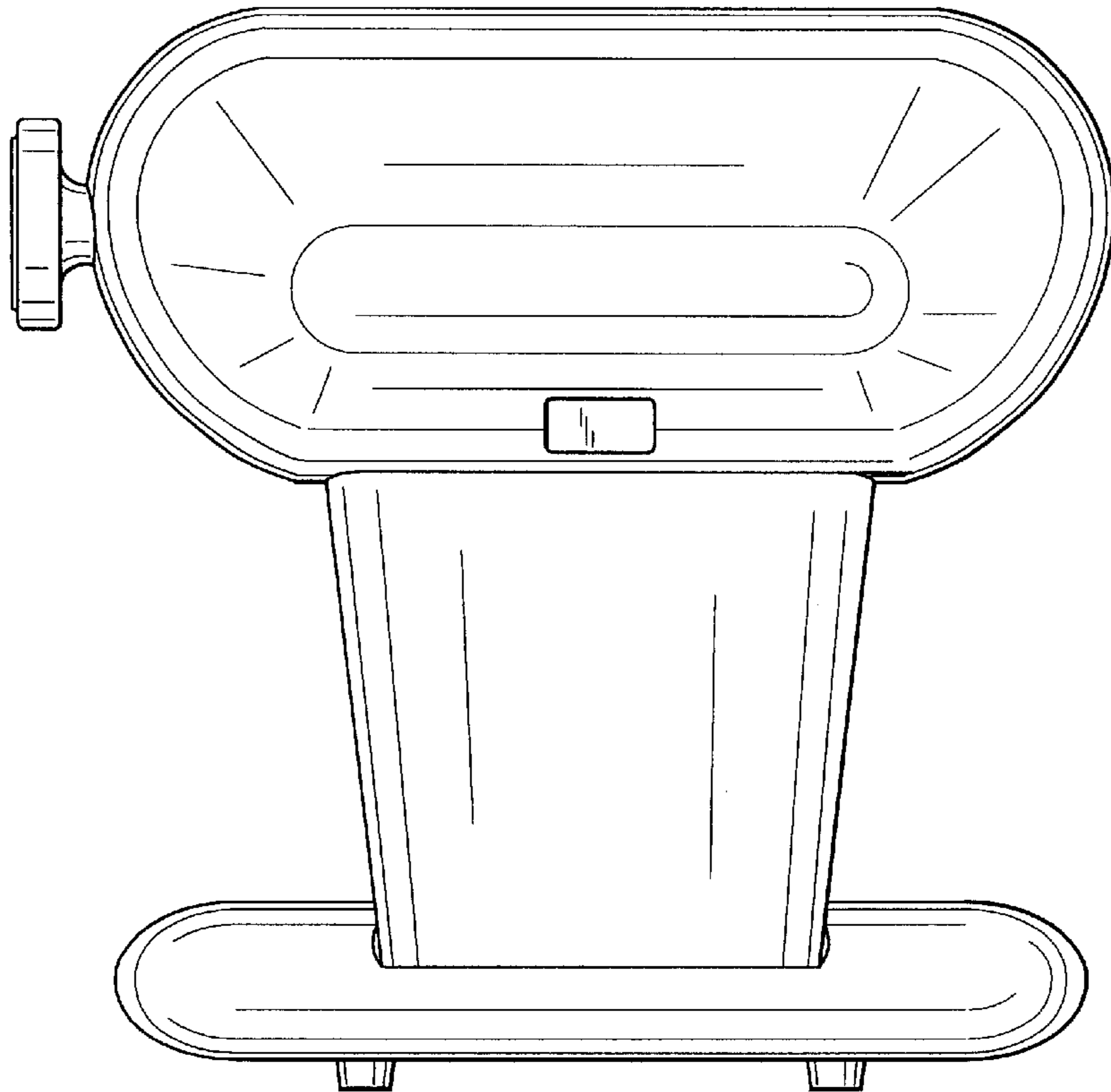


FIG. 6

