



US00D449481B1

(12) **United States Design Patent**
Snell

(10) **Patent No.:** **US D449,481 S**

(45) **Date of Patent:** **** Oct. 23, 2001**

(54) **SUCTION FLATWARE HOLDER**

(75) Inventor: **Russell Benton Snell**, Shaker Heights, OH (US)

(73) Assignee: **InterDesign, Inc.**, Solon, OH (US)

(**) Term: **14 Years**

(21) Appl. No.: **29/134,461**

(22) Filed: **Dec. 20, 2000**

(51) **LOC (7) Cl.** **06-04**

(52) **U.S. Cl.** **D6/566**

(58) **Field of Search** D6/566, 524-5, D6/537, 553, 567; D3/304-7; 206/77.1, 207, 557; 211/10, 13.1, 71.01, 86.01, 87.01, 90.01, 90.03, 126.1, 133.5, 134, 181.1

(56) **References Cited**

U.S. PATENT DOCUMENTS

4,040,522	*	8/1977	Vickery	211/88.01
4,166,138	*	8/1979	Ziminski et al.	D6/566 X
4,234,094	*	11/1980	Jorgensen	211/88.01

* cited by examiner

Primary Examiner—Brian N. Vinson
(74) *Attorney, Agent, or Firm*—D. Peter Hochberg; Katherine R. Vieyra; William H. Holt

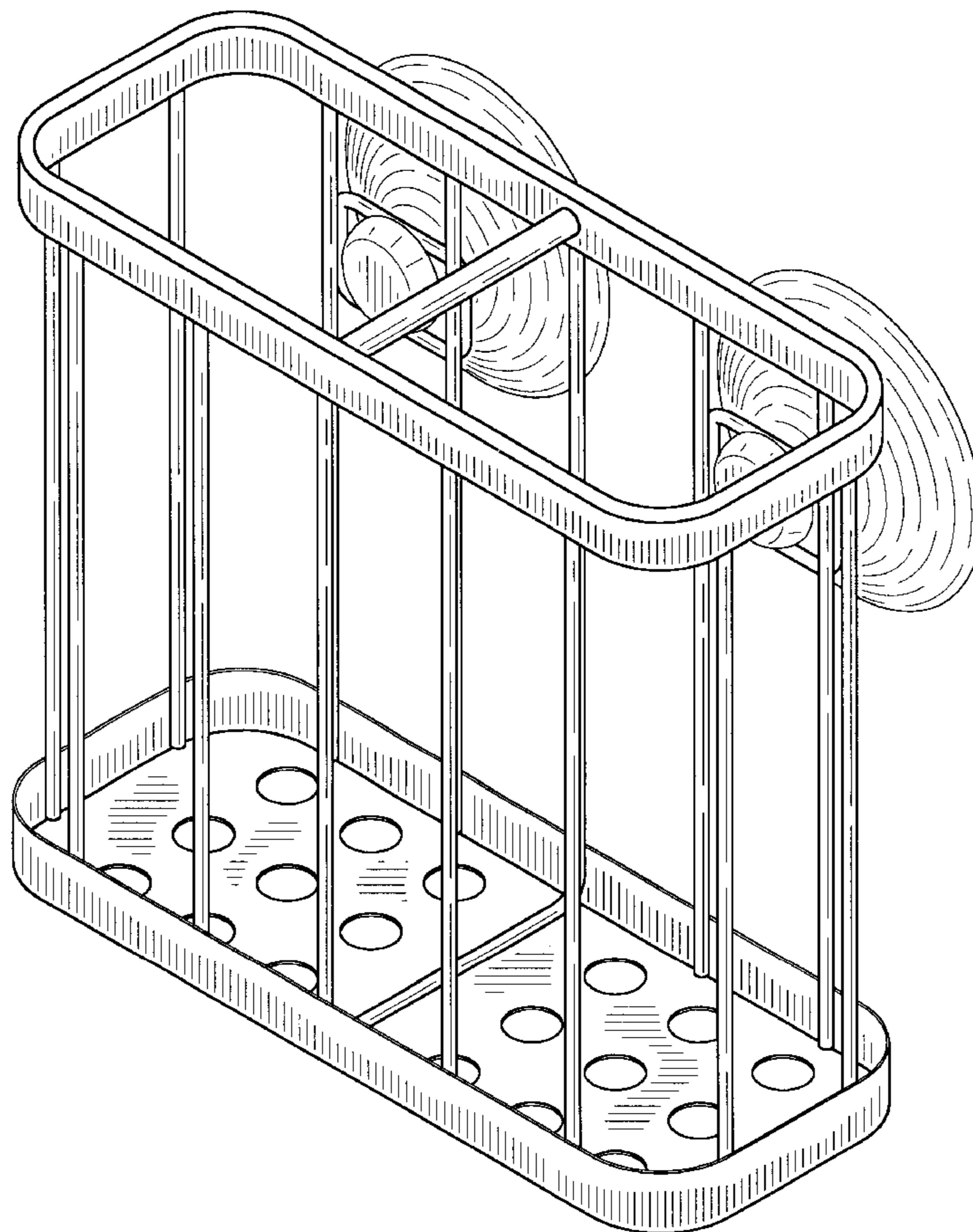
(57) **CLAIM**

The ornamental design for a suction flatware holder, as shown and described.

DESCRIPTION

FIG. 1 is a perspective view of the suction flatware holder according to the invention;
FIG. 2 is a top view of the suction flatware holder as shown in FIG. 1;
FIG. 3 is a front view of the suction flatware holder as shown in FIG. 1;
FIG. 4 is an end view of the suction flatware holder as shown in FIG. 1;
FIG. 5 is a rear view of the suction flatware holder as shown in FIG. 1;
FIG. 6 is an end view of the suction flatware holder as shown in FIG. 1 taken from the opposite end of that shown in FIG. 4; and,
FIG. 7 is a bottom view of the suction flatware holder shown in FIG. 1.

1 Claim, 3 Drawing Sheets



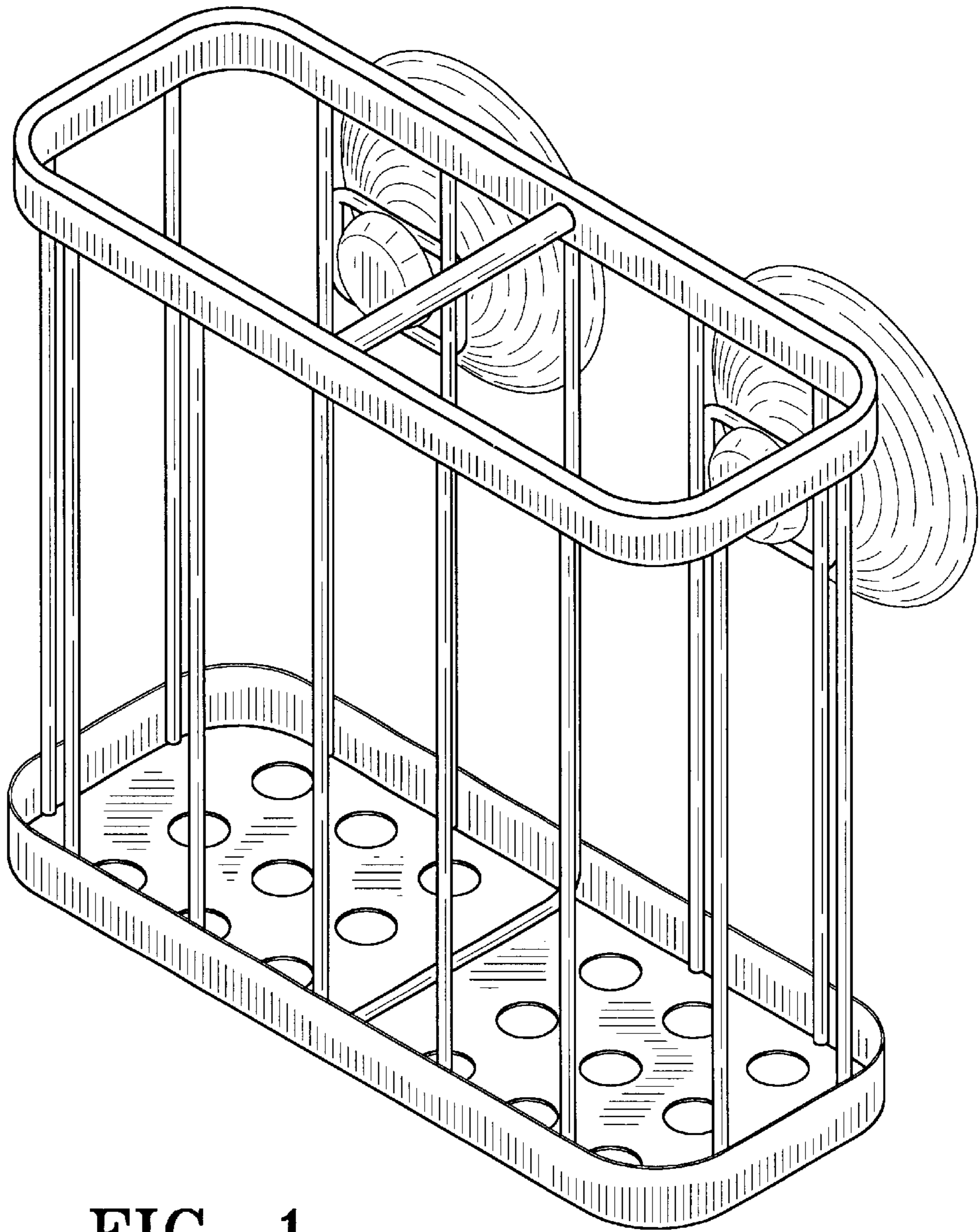


FIG-1

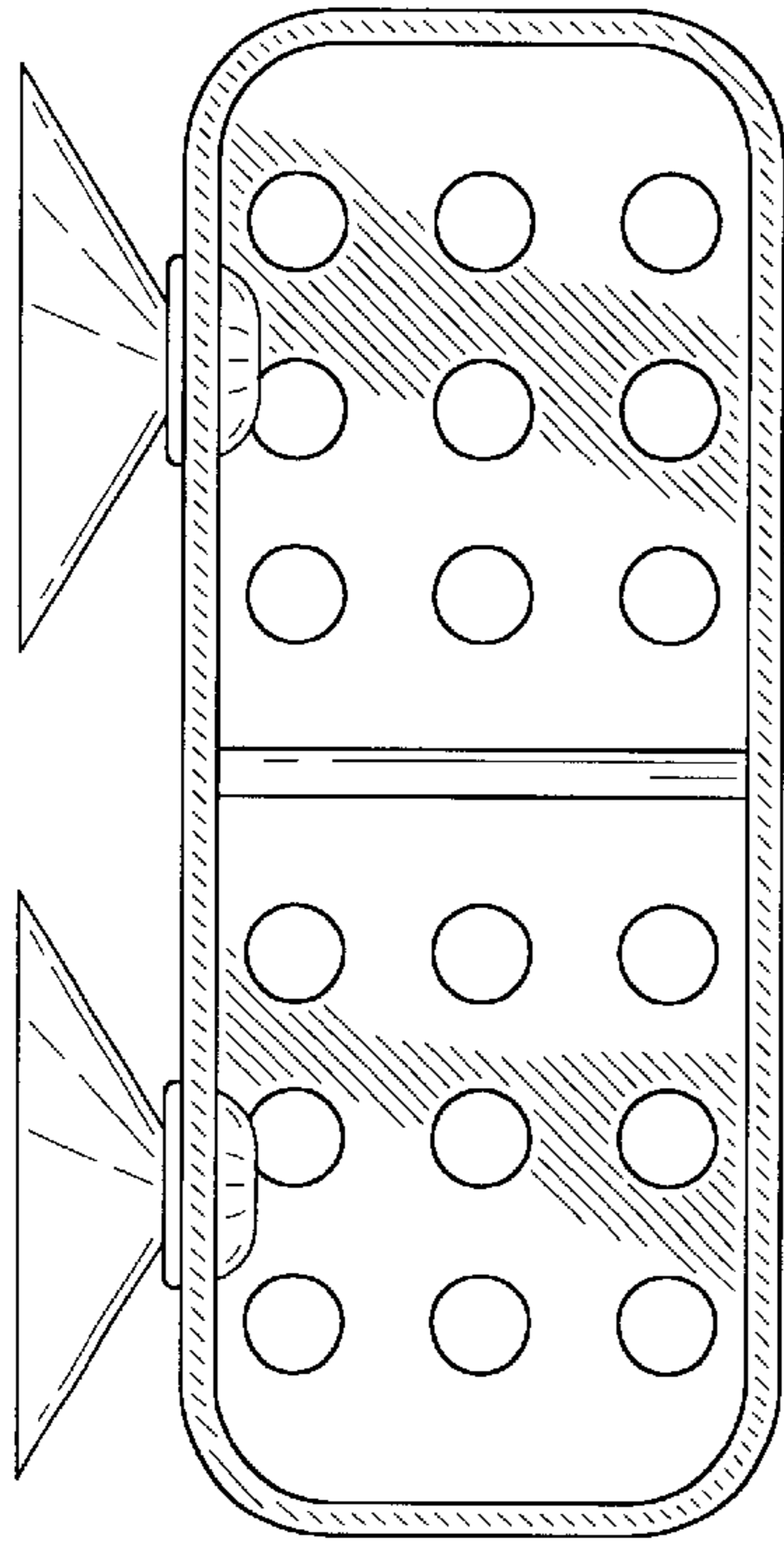


FIG-2

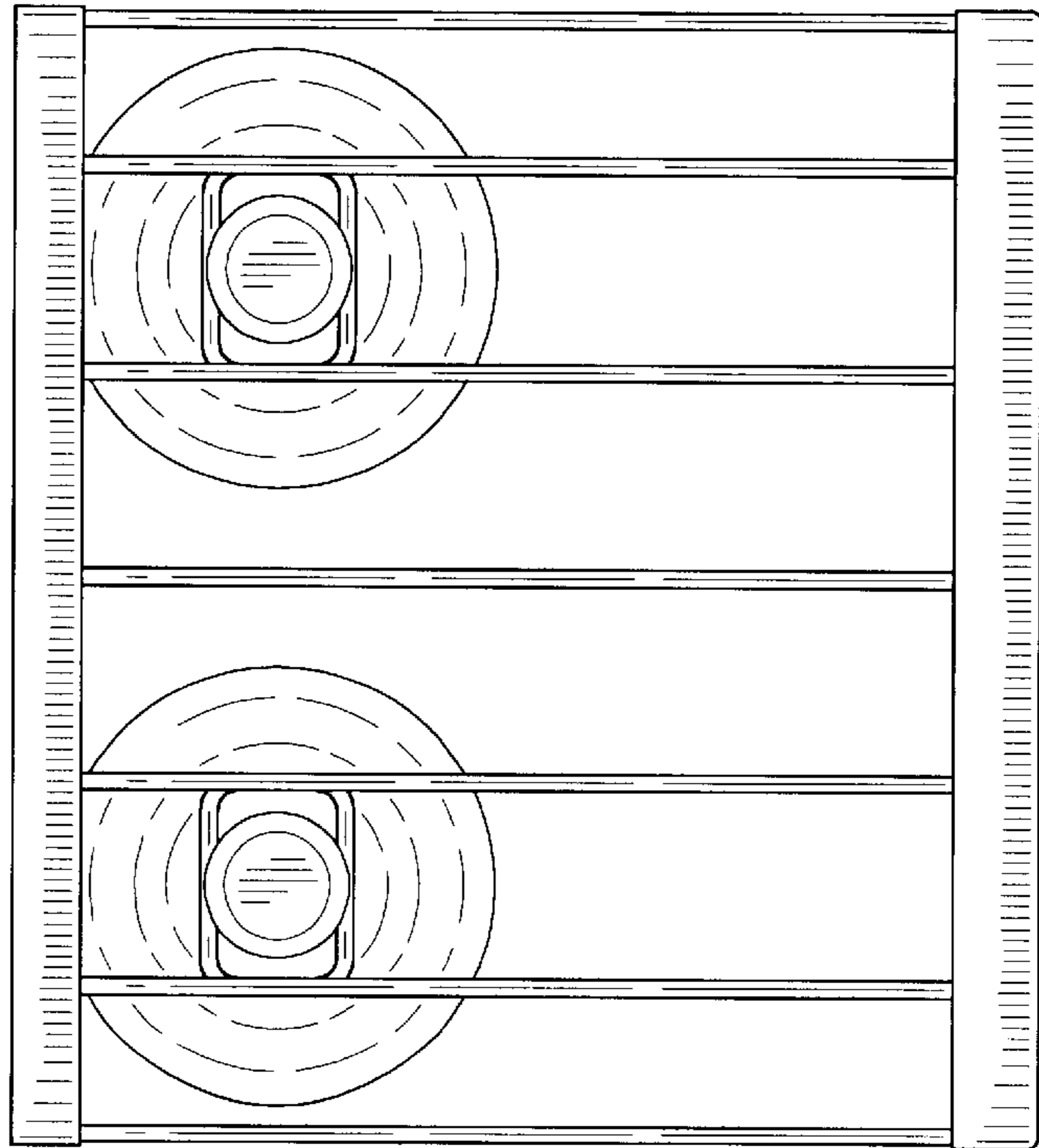


FIG-3

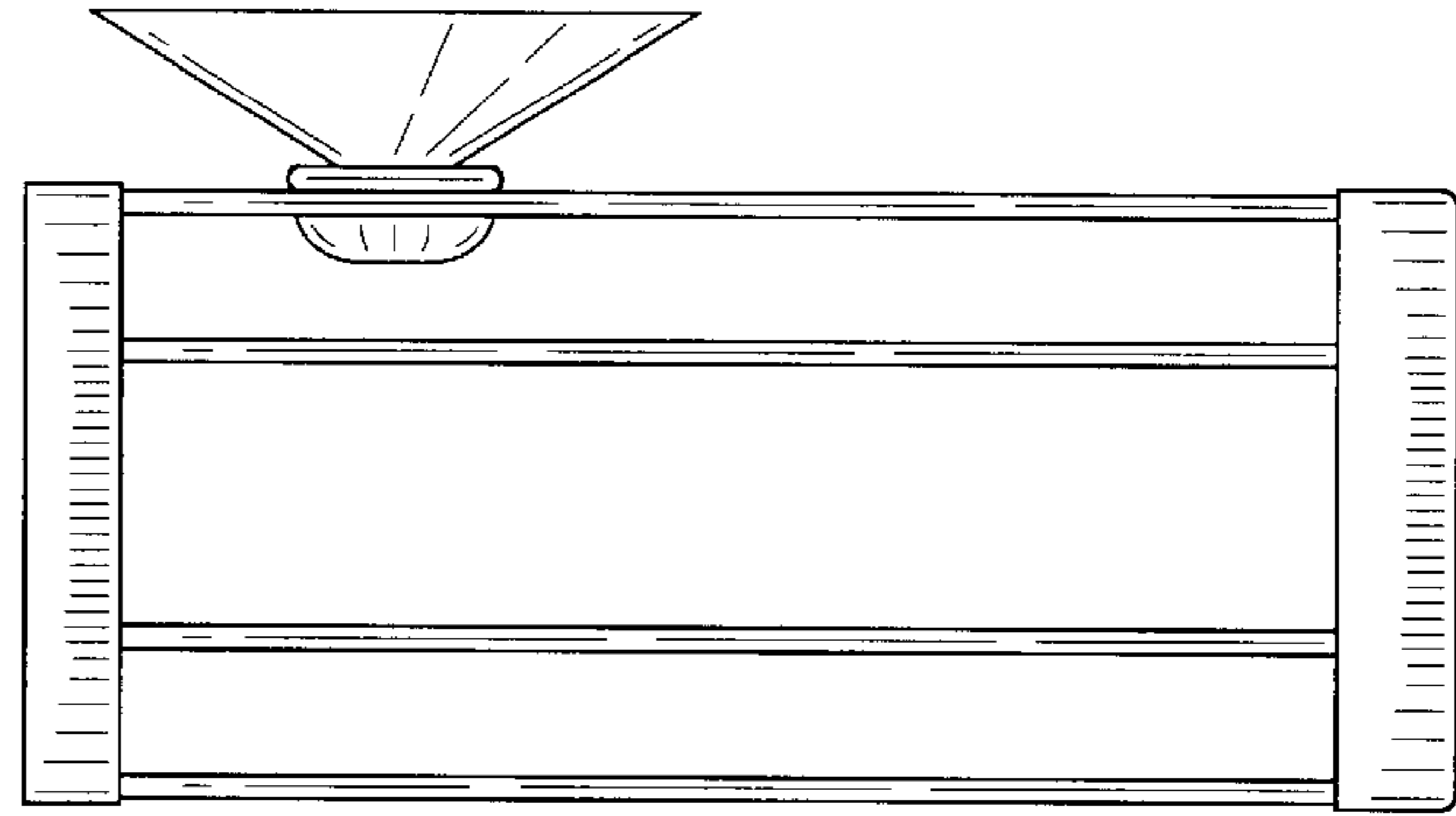


FIG-4

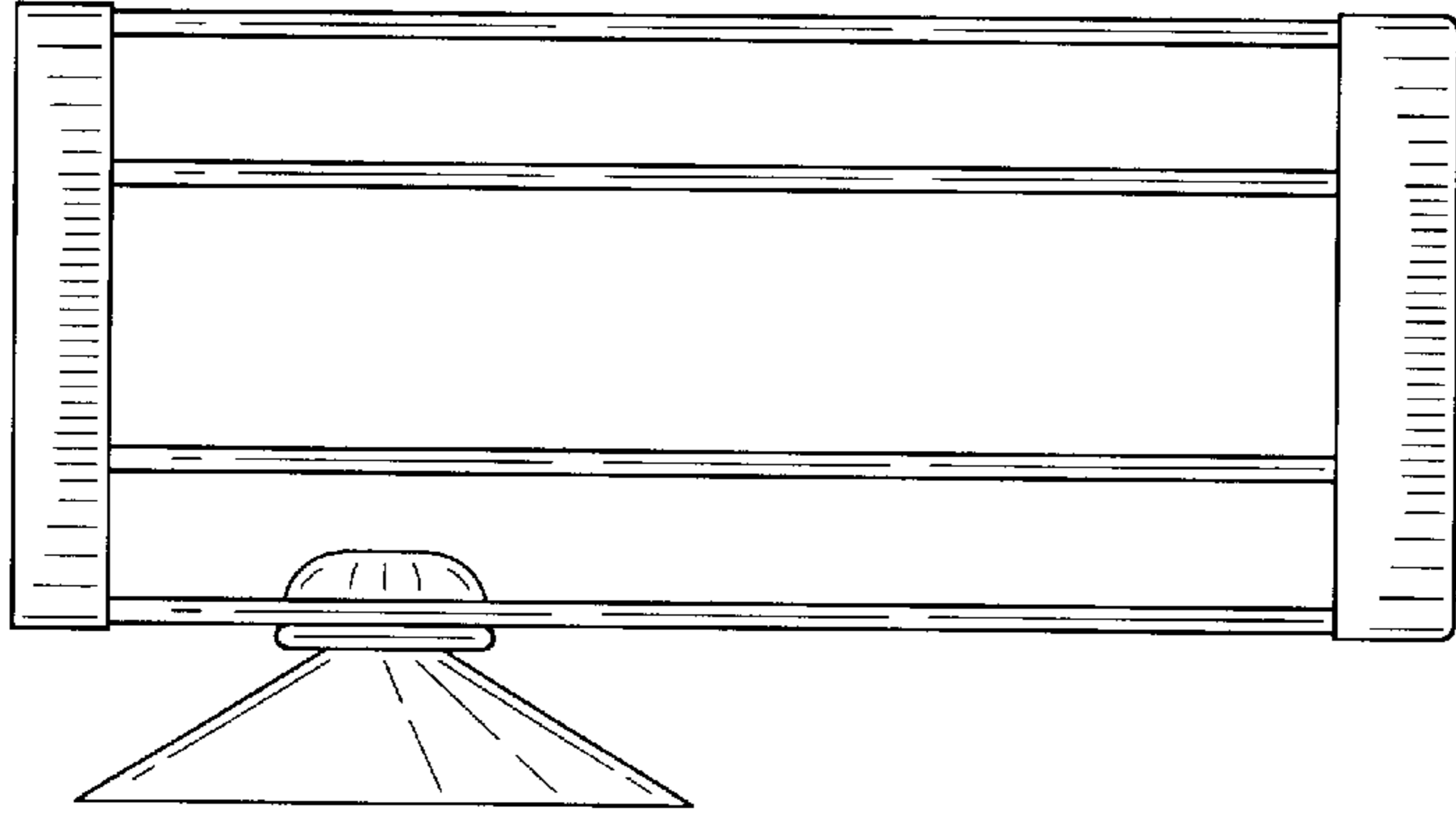


FIG-6

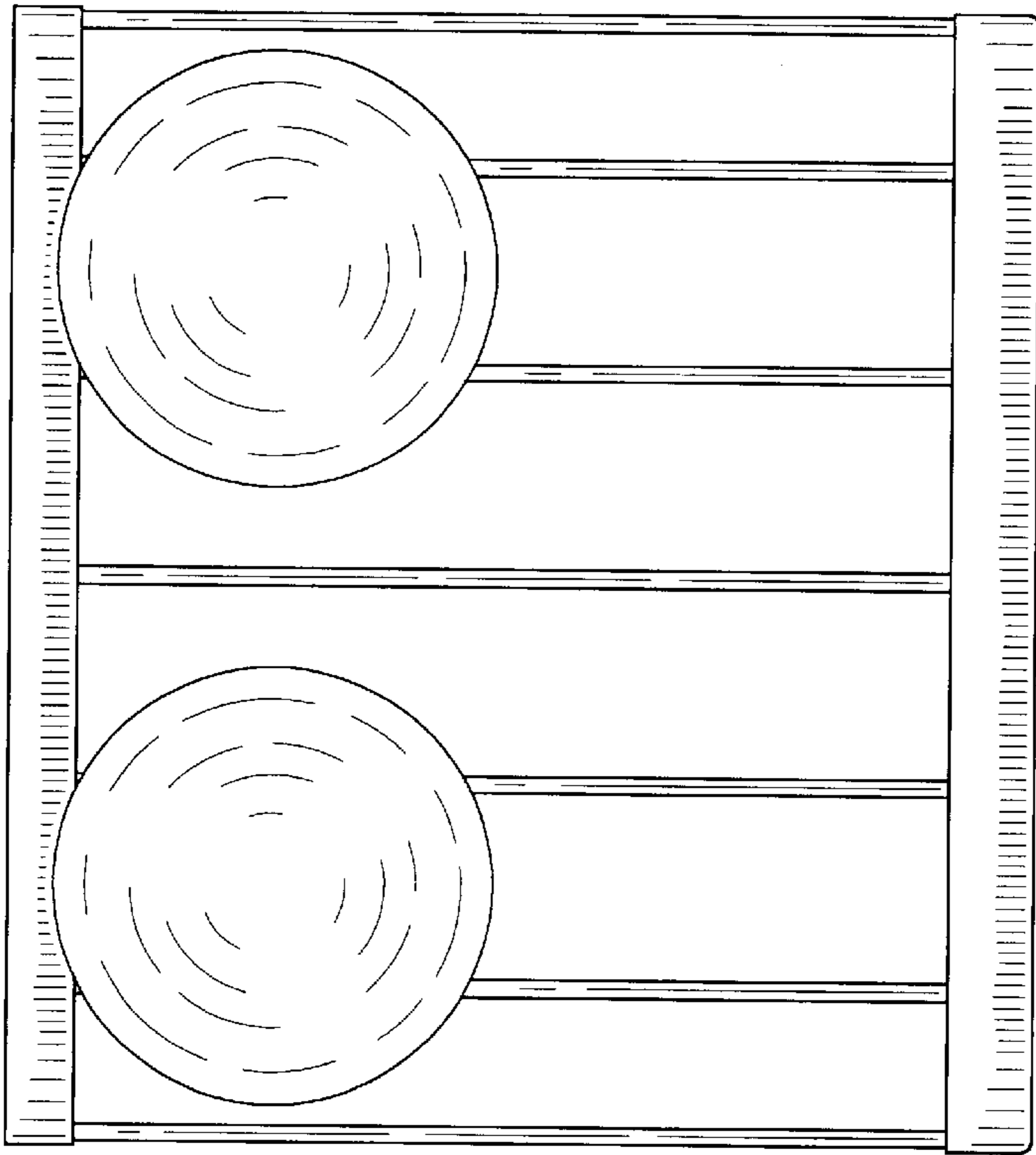


FIG-5

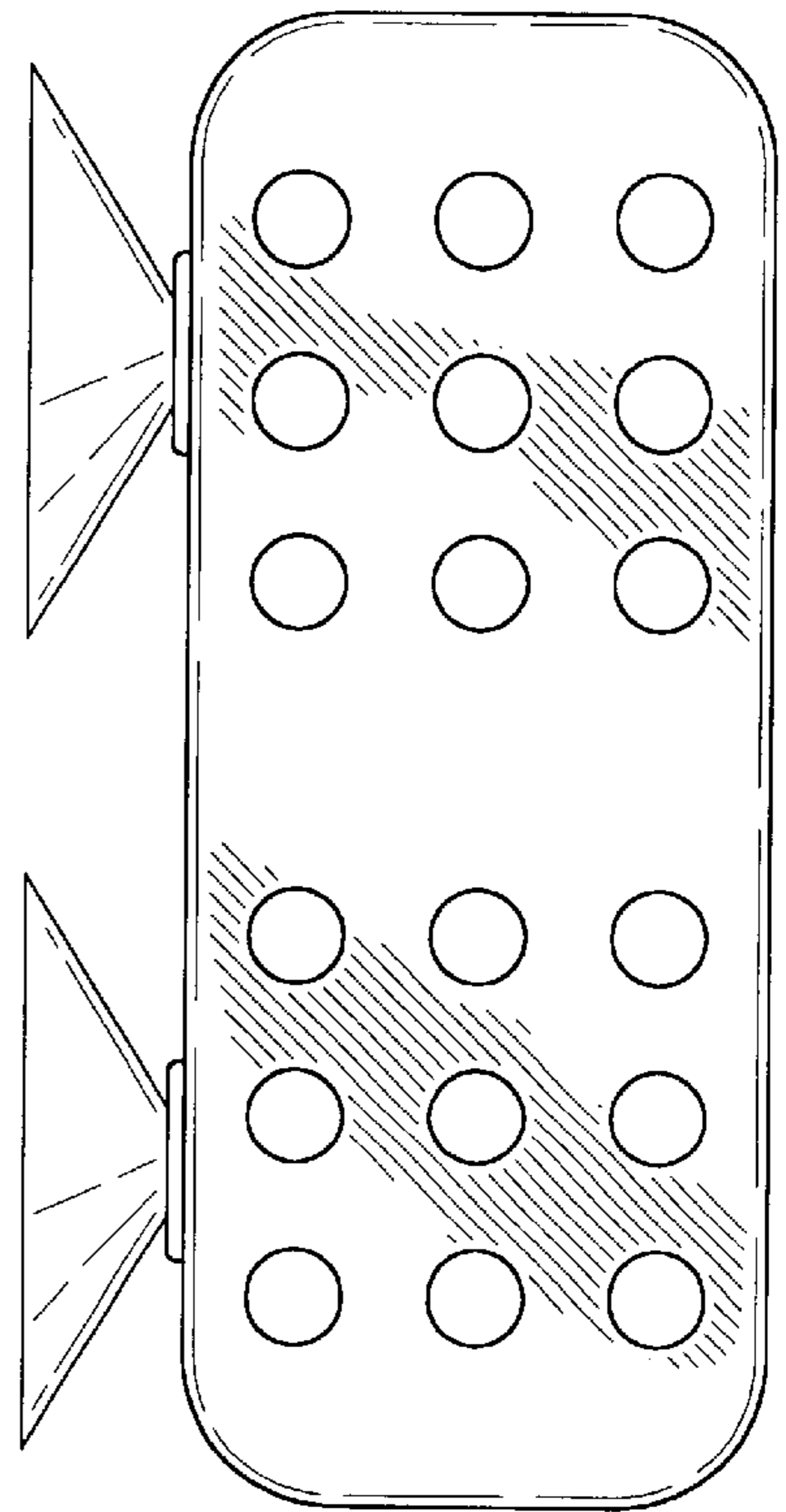


FIG-7