



US00D449480B1

(12) **United States Design Patent**
Snell

(10) **Patent No.:** **US D449,480 S**

(45) **Date of Patent:** **** Oct. 23, 2001**

(54) **SINK CENTER HELD BY SUCTION CUPS**

D. 373,039 * 8/1996 Cohen et al. D6/566
D. 396,770 * 8/1998 Hoernig D6/566

(75) Inventor: **Russell Benton Snell**, Shaker Heights,
OH (US)

* cited by examiner

(73) Assignee: **InterDesign, Inc.**, Solon, OH (US)

Primary Examiner—Brian N. Vinson
(74) *Attorney, Agent, or Firm*—D. Peter Hochberg;
Katherine R. Vieyra; William H. Holt

(**) Term: **14 Years**

(57) **CLAIM**

(21) Appl. No.: **29/134,460**

The ornamental design for a sink center held by suction
cups, as shown and described.

(22) Filed: **Dec. 20, 2000**

(51) **LOC (7) Cl.** **06-04**

DESCRIPTION

(52) **U.S. Cl.** **D6/566; D6/525**

FIG. 1 is a perspective view of the sink center according to
the invention;

(58) **Field of Search** D6/566, 524-5,
D6/537, 553, 567; D3/304-7; 206/77.1,
207, 557; 211/10, 13.1, 71.01, 86.01, 87.01,
90.01, 90.03, 126.1, 133.5, 134, 181.1

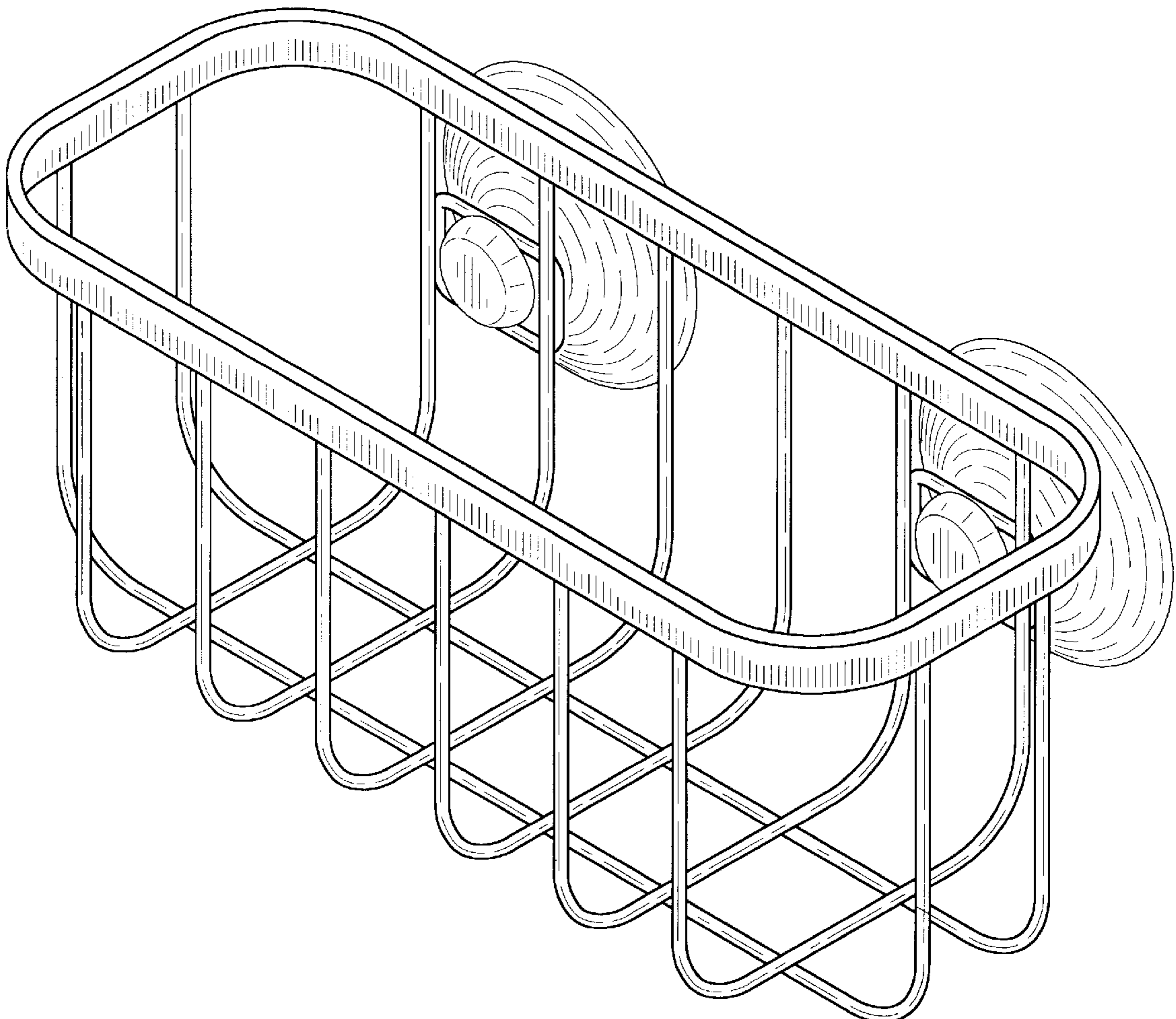
FIG. 2 is a top view of the sink center as shown in FIG. 1;
FIG. 3 is a front view of the sink center as shown in FIG. 1;
FIG. 4 is an end view of the sink center as shown in FIG. 1;
FIG. 5 is a rear view of the sink center as shown in FIG. 1;
FIG. 6 is an end view of the sink center as shown in FIG. 1
taken from the opposite end of that shown in FIG. 4; and,
FIG. 7 is a bottom view of the sink center shown in FIG. 1.

(56) **References Cited**

U.S. PATENT DOCUMENTS

D. 362,780 * 10/1995 Hampshire D6/525 X
D. 364,297 * 11/1995 Daniel D6/566 X

1 Claim, 3 Drawing Sheets



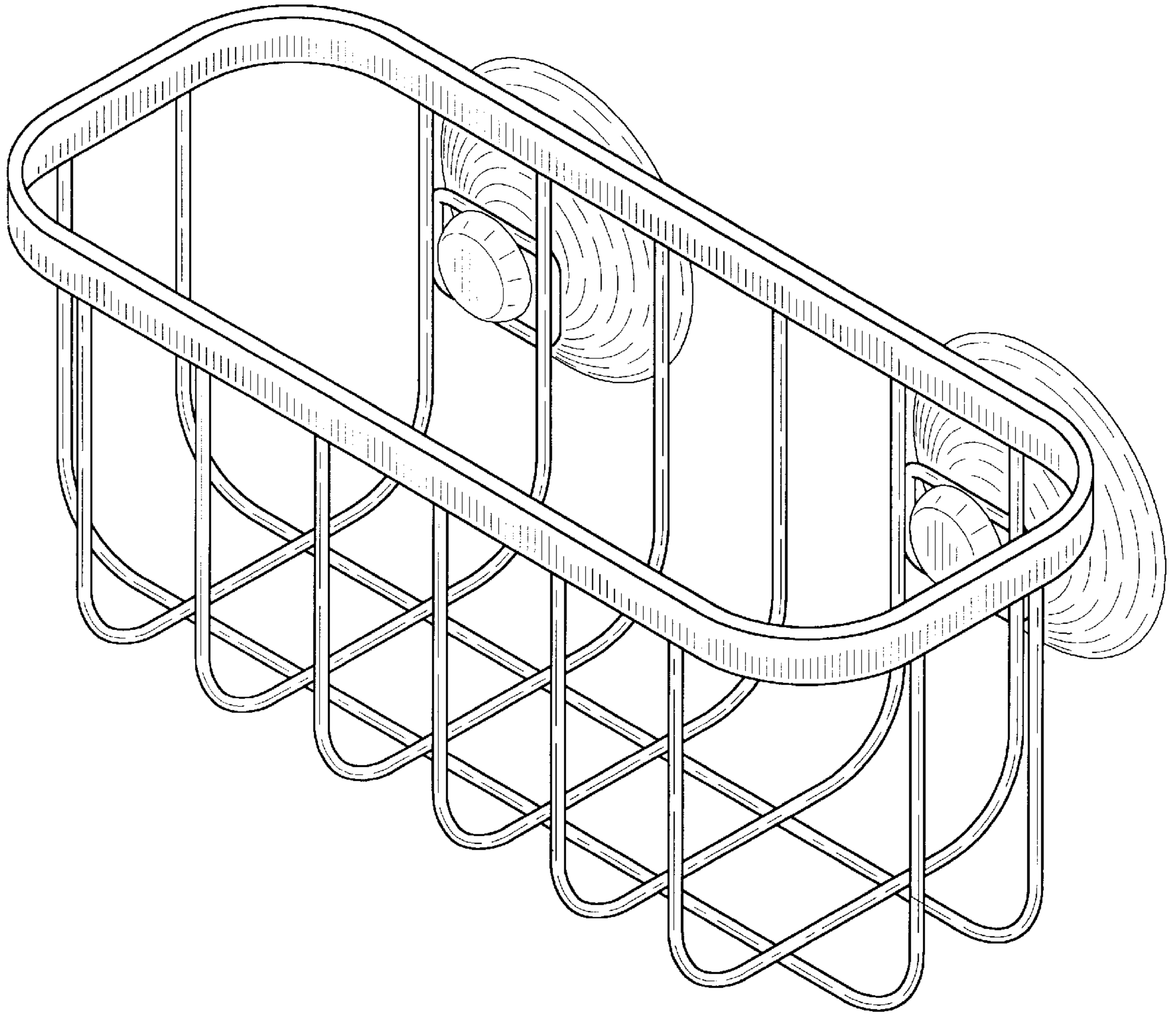


FIG-1

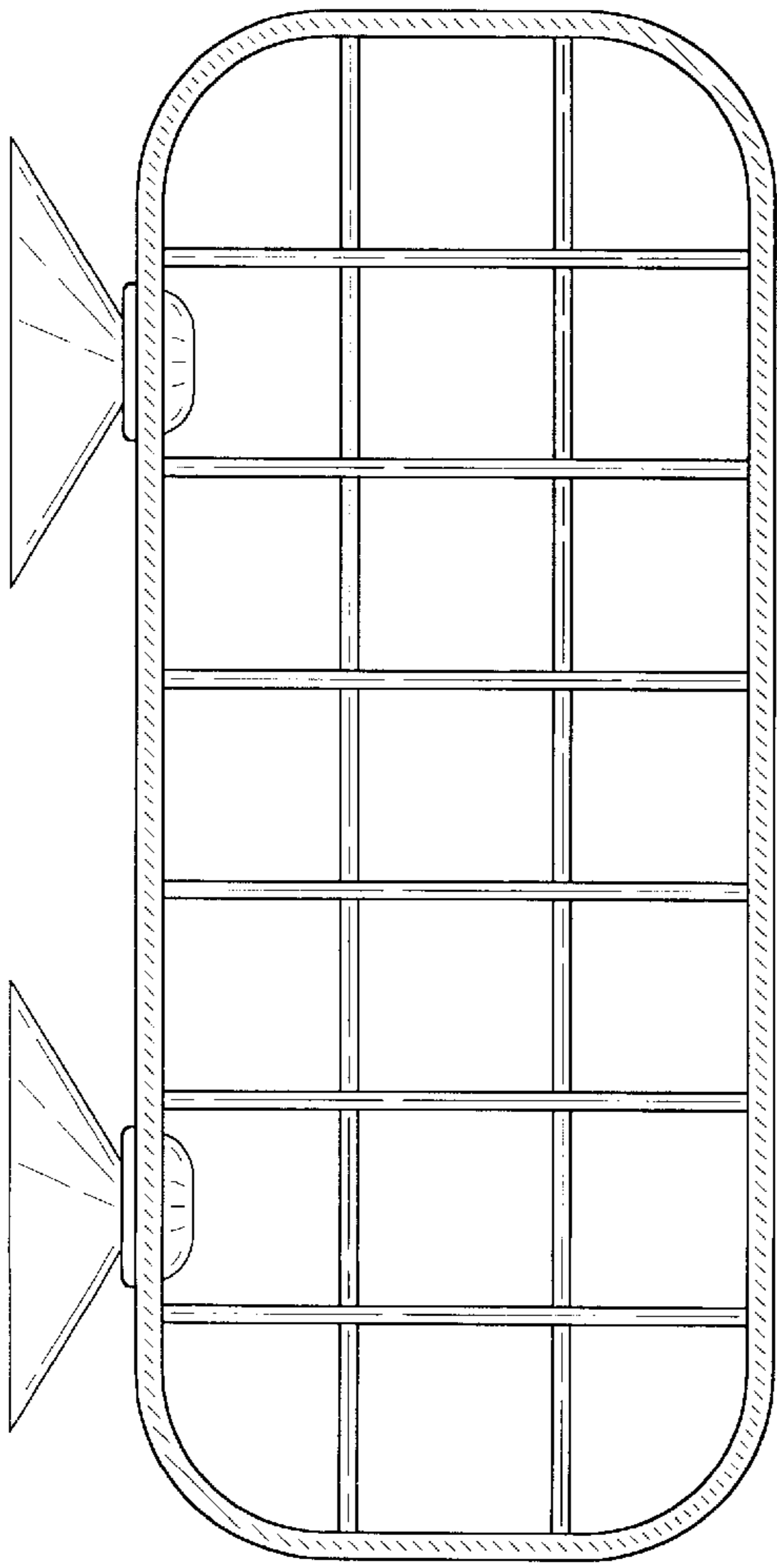


FIG-2

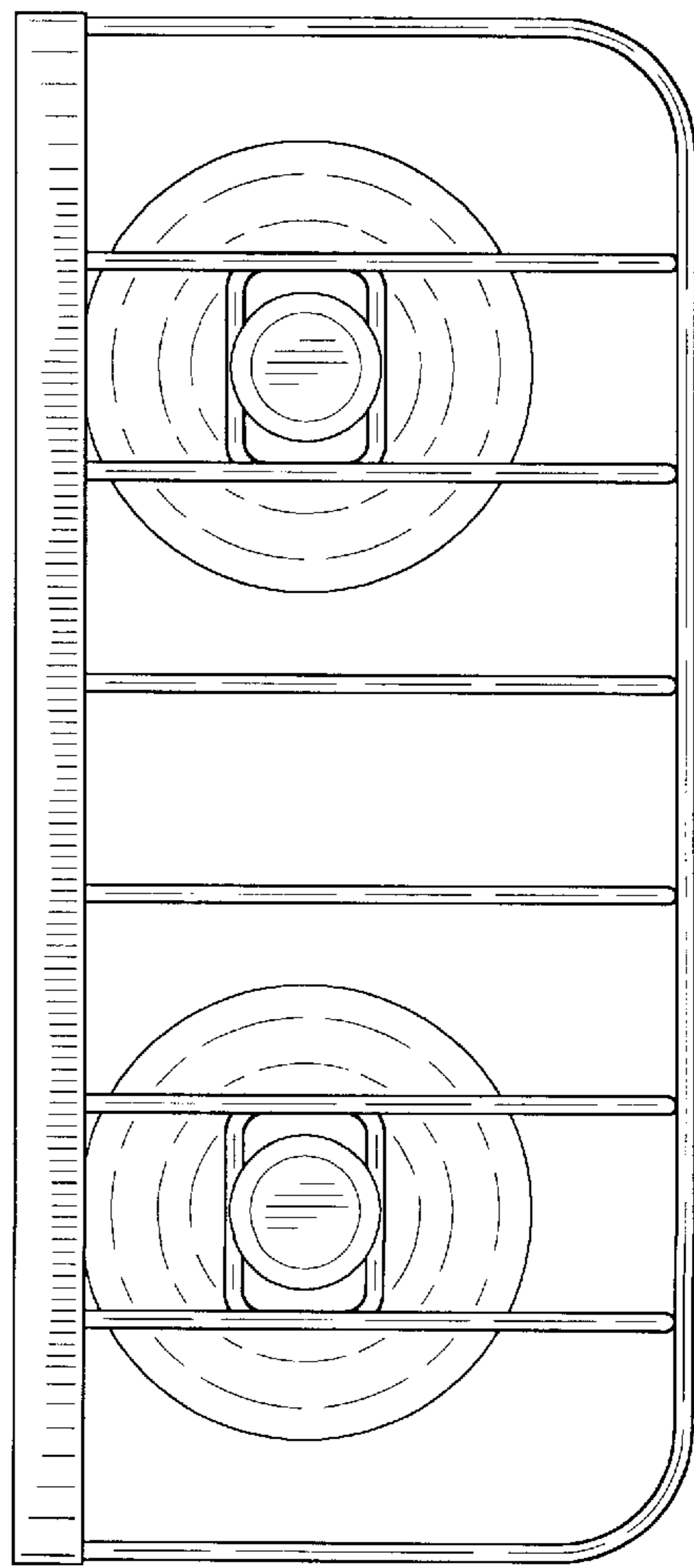


FIG-3

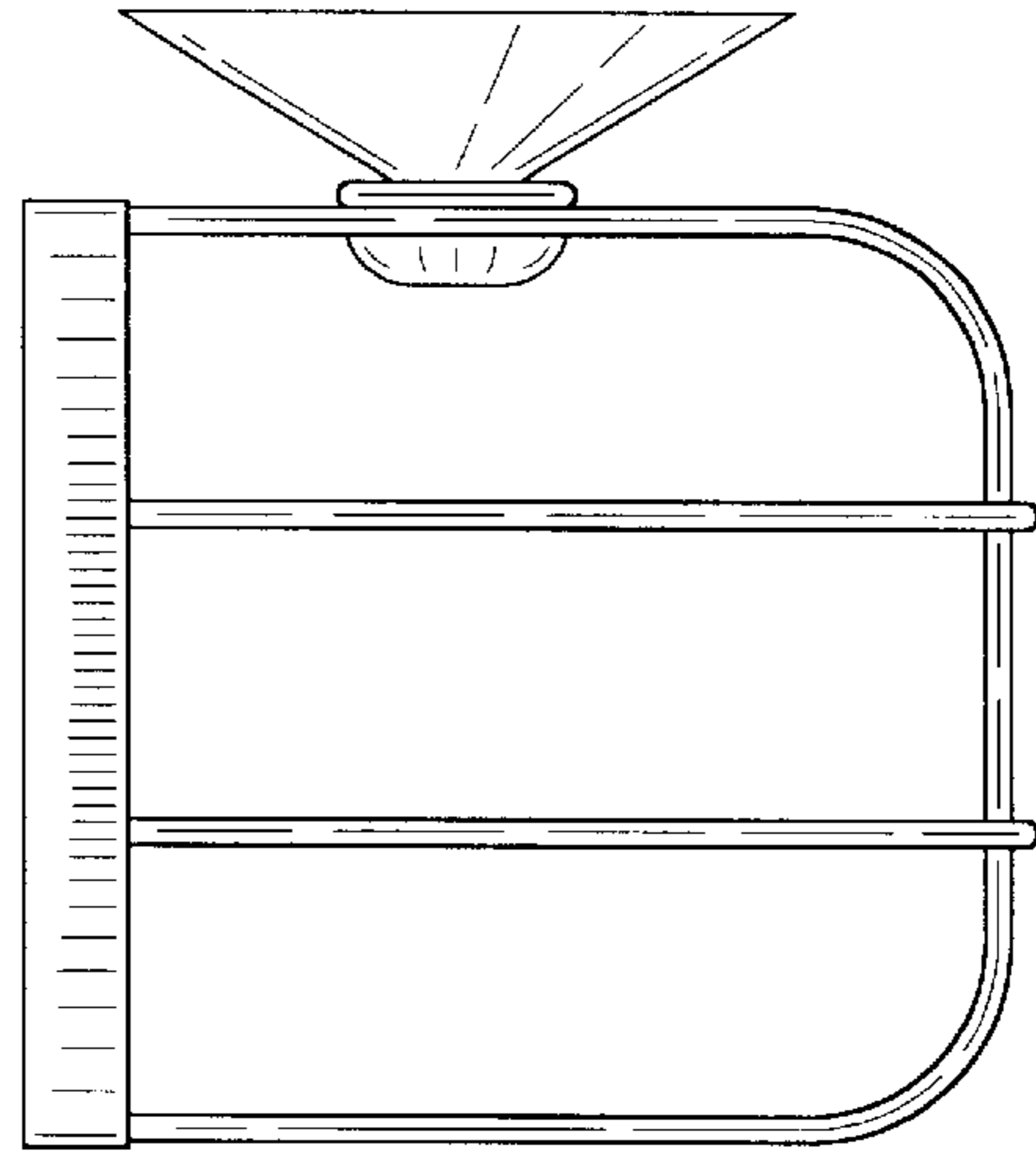


FIG-4

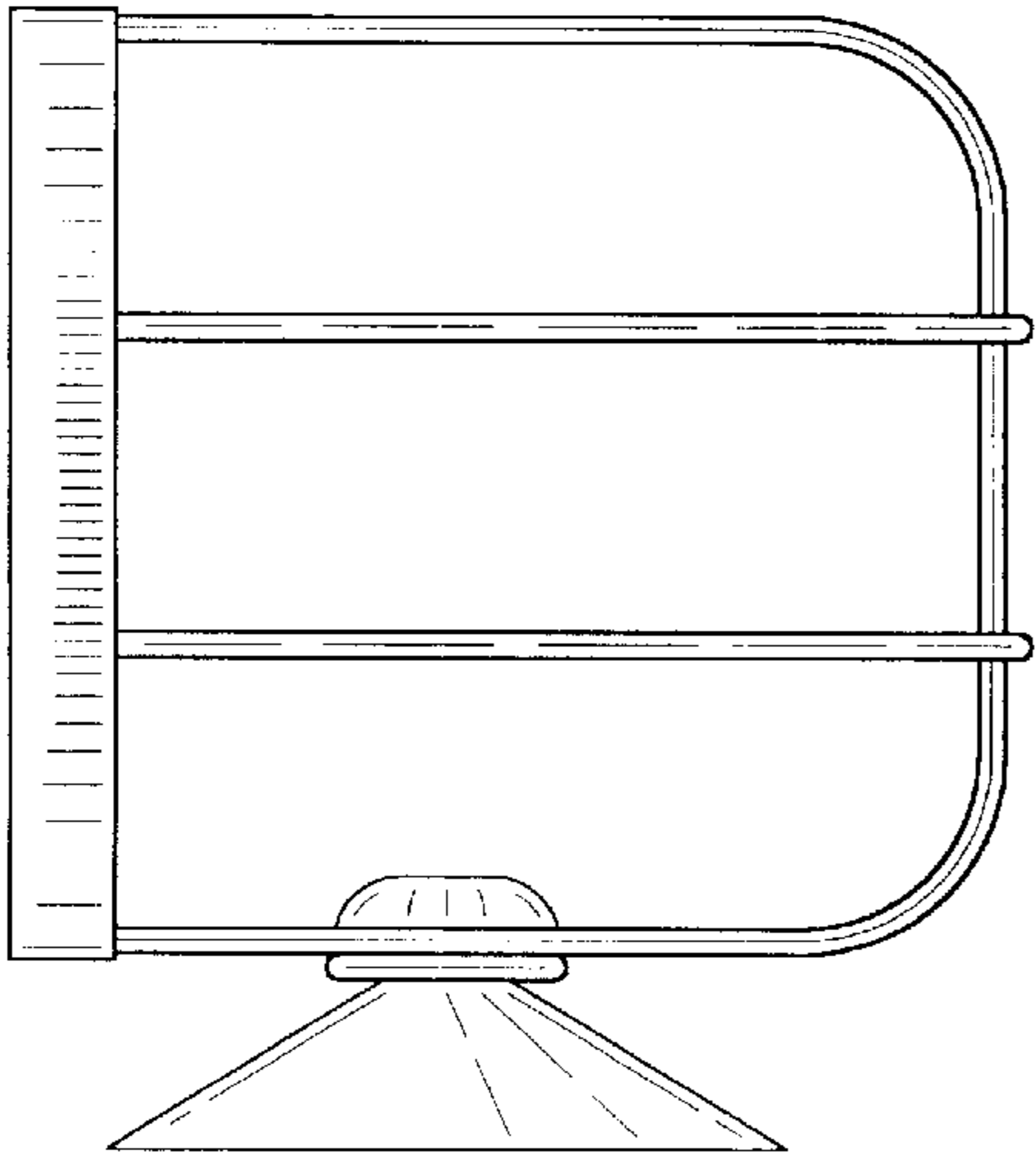


FIG-6

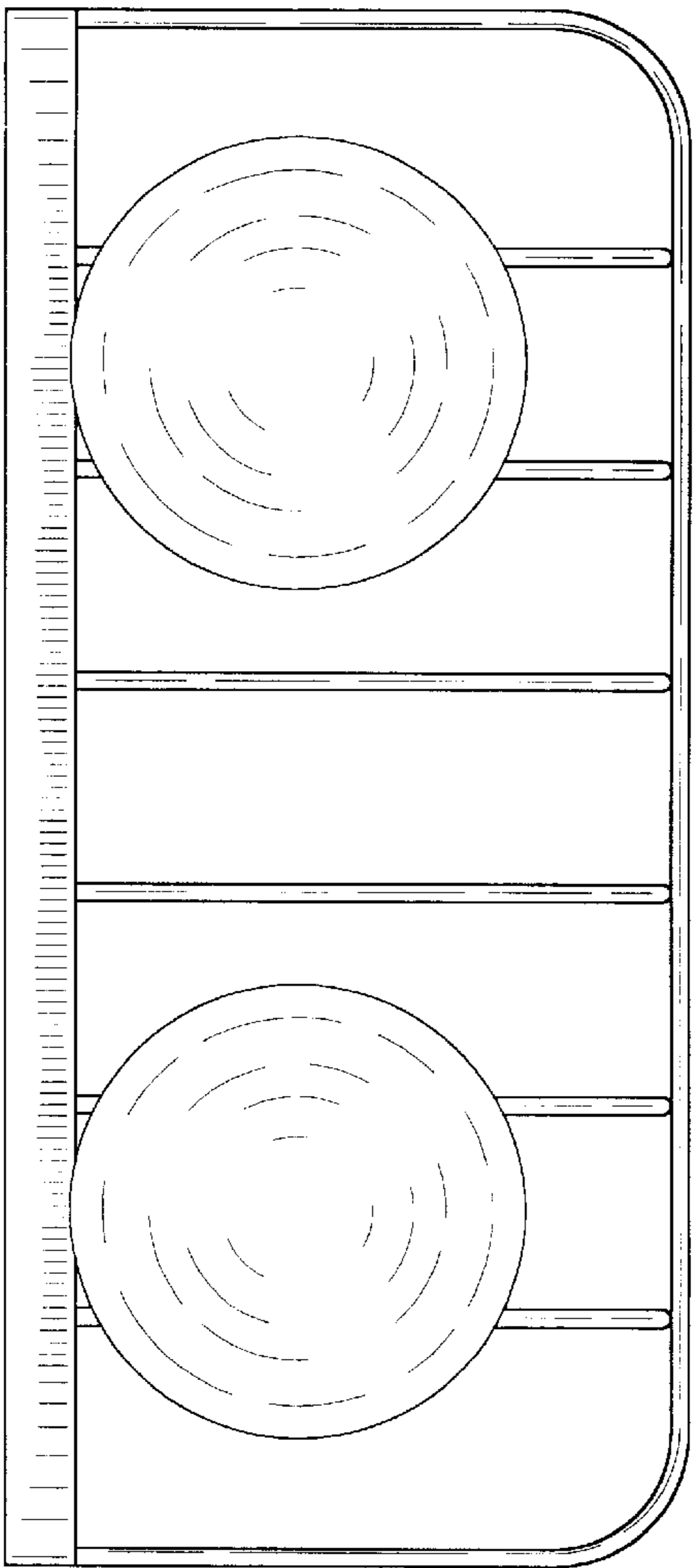


FIG-5

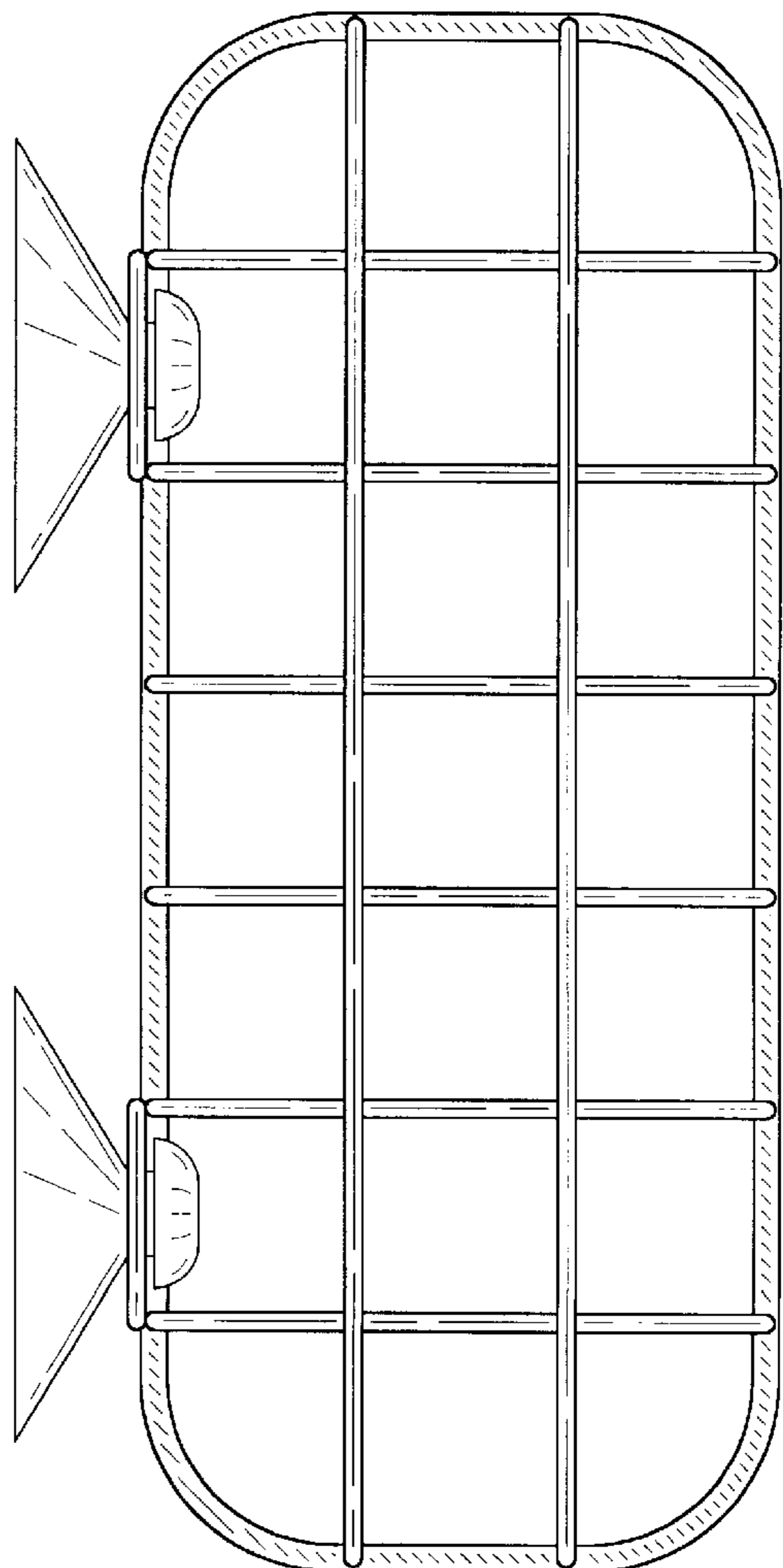


FIG-7