



US00D449479B1

(12) **United States Design Patent**
Snell

(10) **Patent No.:** **US D449,479 S**

(45) **Date of Patent:** **** Oct. 23, 2001**

(54) **CORNER SHELF**

4,708,310 * 11/1987 Smith 211/90.01 X

(75) Inventor: **Russell Benton Snell**, Shaker Hts., OH (US)

* cited by examiner

(73) Assignee: **InterDesign, Inc.**, Solon, OH (US)

Primary Examiner—Brian N. Vinson
(74) *Attorney, Agent, or Firm*—D. Peter Hochberg; Katherine R. Vieyra; William H. Holt

(**) Term: **14 Years**

(57) **CLAIM**

(21) Appl. No.: **29/134,413**

The ornamental design for a corner shelf, as shown and described.

(22) Filed: **Dec. 20, 2000**

(51) **LOC (7) Cl.** **06-04**

DESCRIPTION

(52) **U.S. Cl.** **D6/566; D6/562**

FIG. 1 is a perspective view of the corner shelf according to the invention;

(58) **Field of Search** D6/566, 524-5, D6/537, 553, 567; D3/304-7; 206/77.1, 207, 557; 211/10, 13.1, 71.01, 86.01, 87.01, 90.01, 90.03, 126.1, 133.5, 134, 181.1

FIG. 2 is a rear view of the corner shelf as shown in FIG. 1; FIG. 3 is a top view of the corner shelf as shown in FIG. 1; FIG. 4 is a side view of the corner shelf as shown in FIG. 1; FIG. 5 is a bottom view of the corner shelf as shown in FIG. 1;

(56) **References Cited**

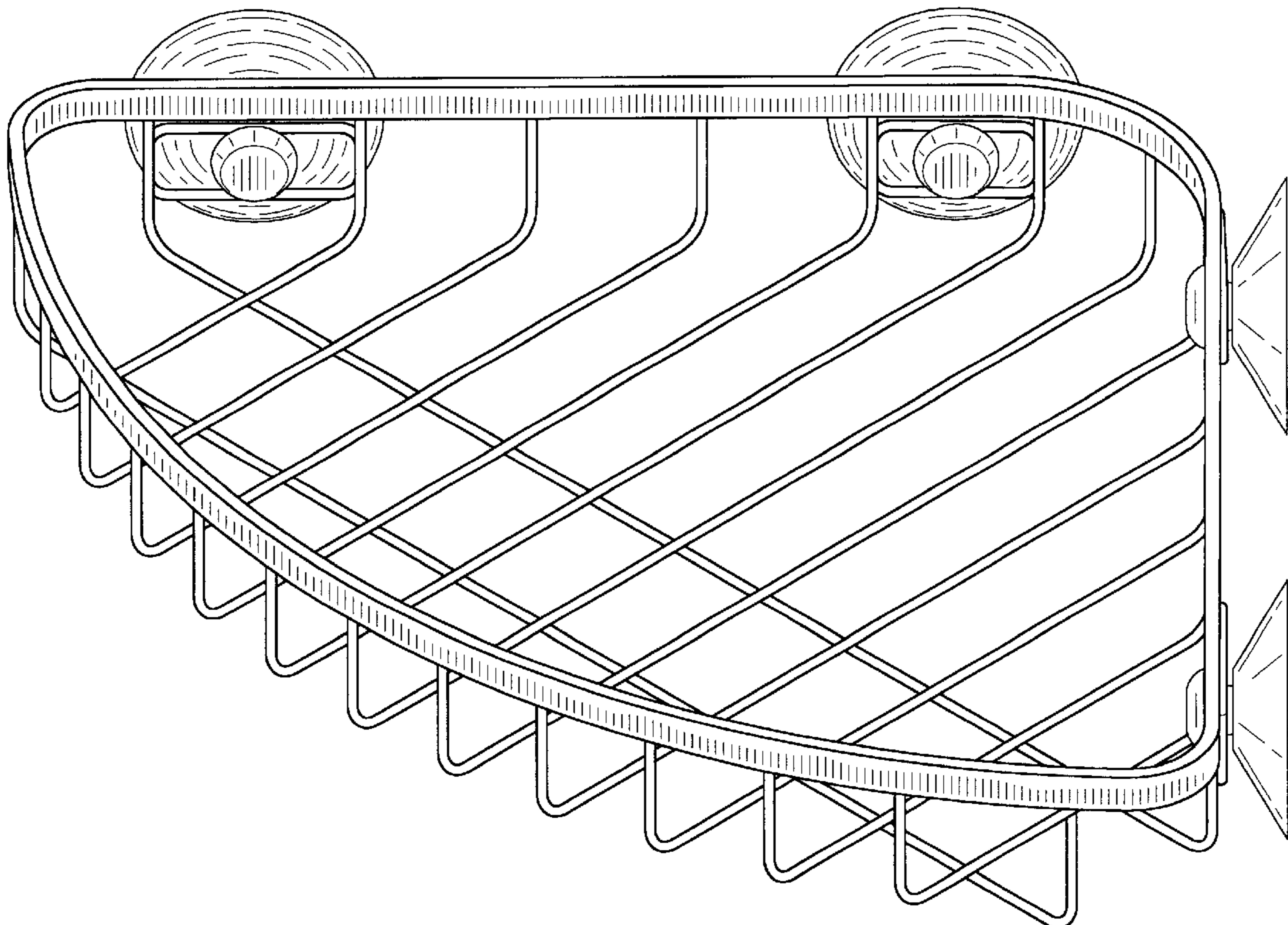
U.S. PATENT DOCUMENTS

FIG. 6 is a front view of the corner shelf as shown in FIG. 1; and,

- D. 323,439 * 1/1992 Emery D6/562
- D. 379,891 * 6/1997 Hampshire D6/525
- D. 399,382 * 10/1998 Hoernig D6/566
- D. 408,185 * 4/1999 Hofman D6/562
- D. 419,020 * 1/2000 Emery et al. D6/562

FIG. 7 is a side view of the corner shelf shown in FIG. 1, viewed from the opposite side from that shown in FIG. 4.

1 Claim, 3 Drawing Sheets



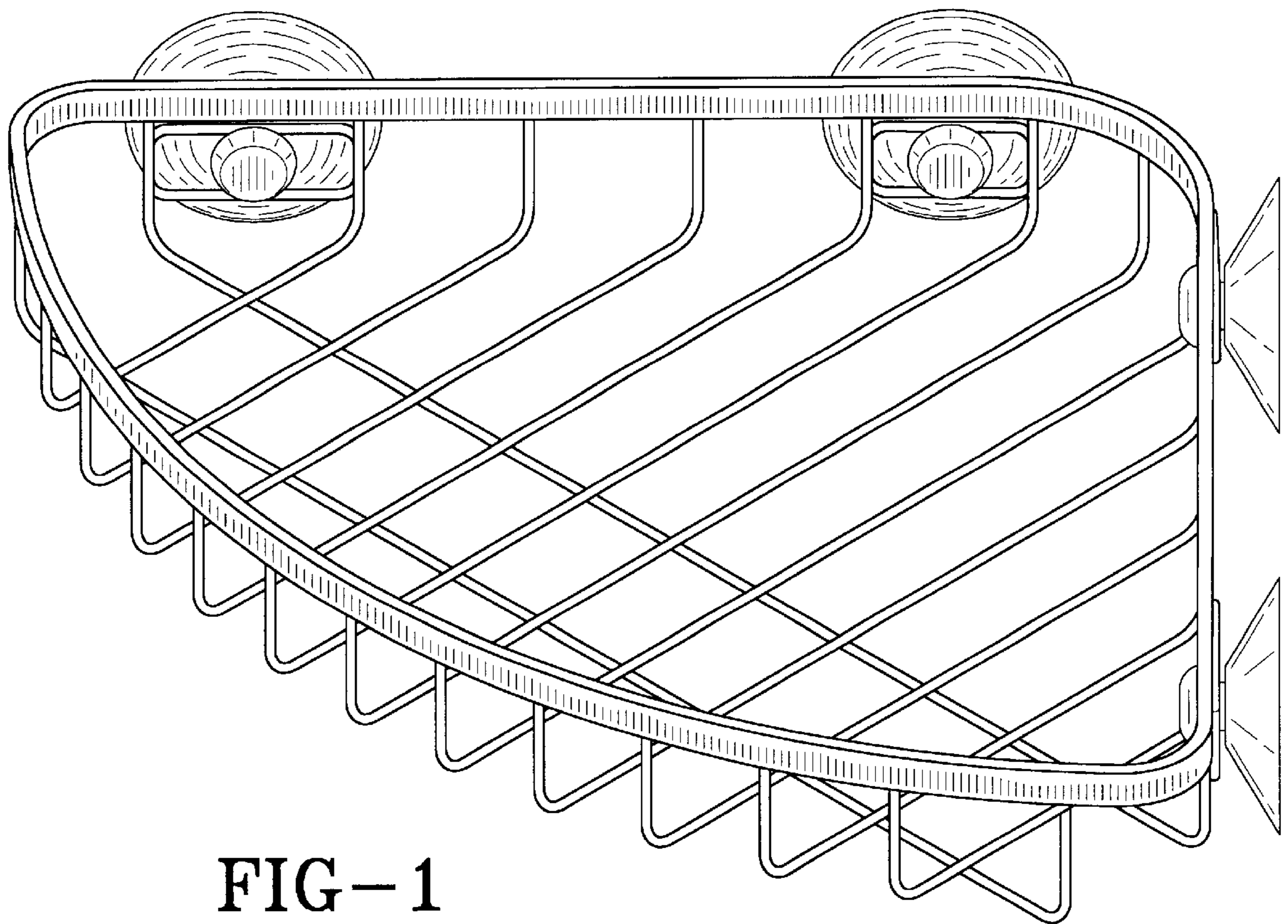


FIG-1

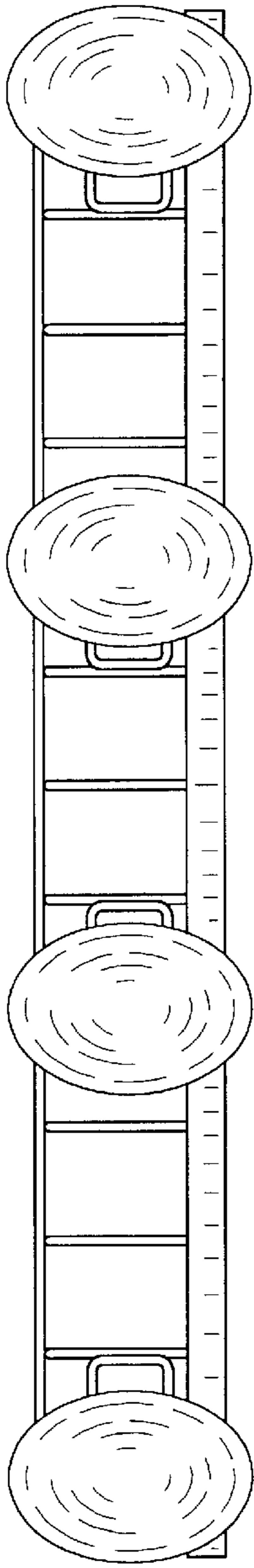


FIG-2

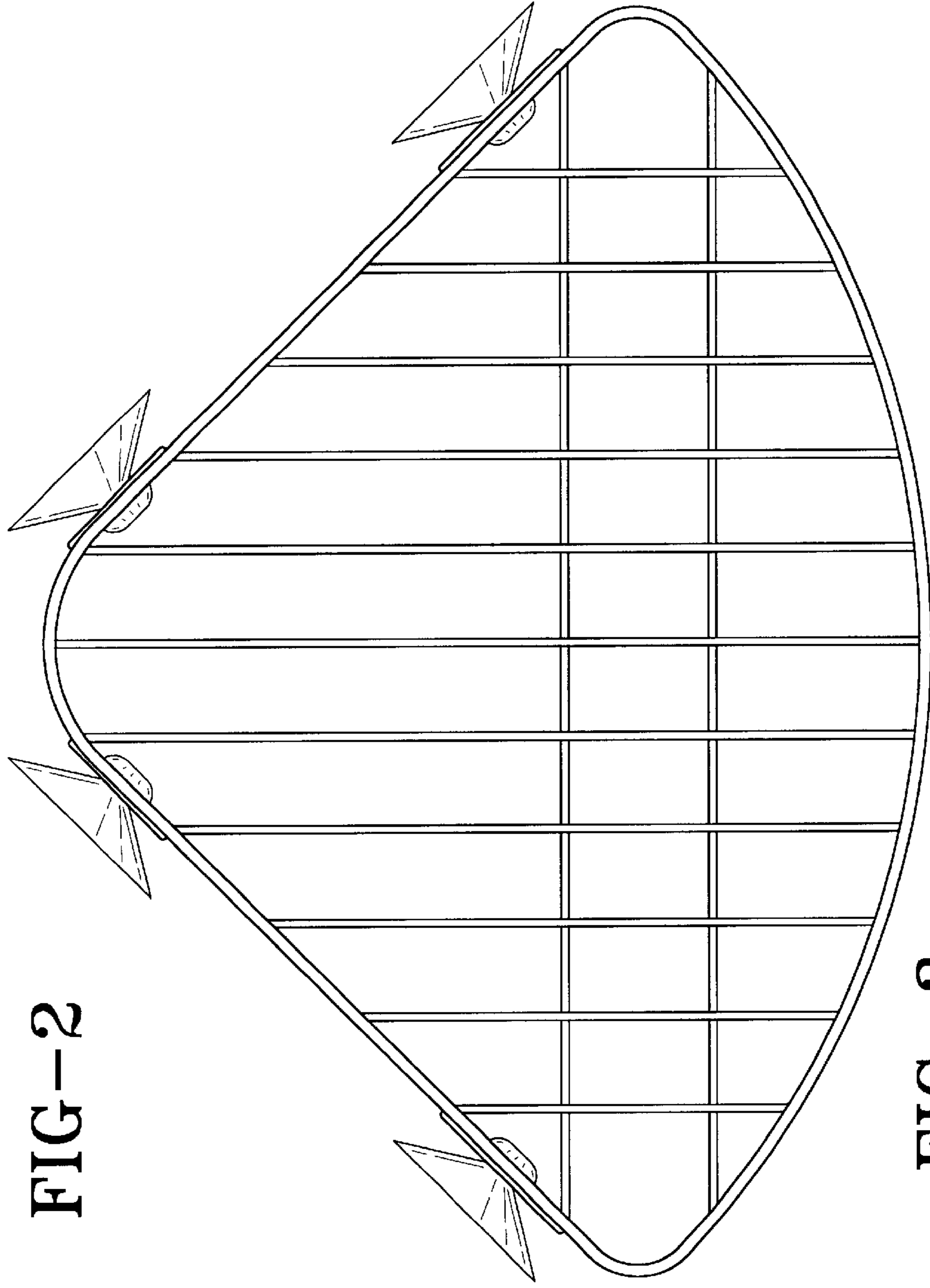


FIG-3

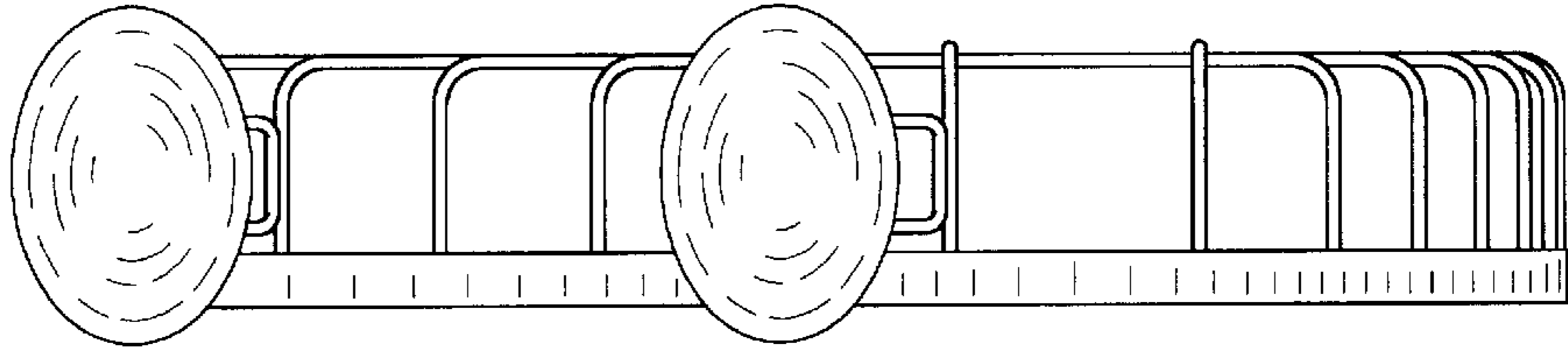


FIG-4

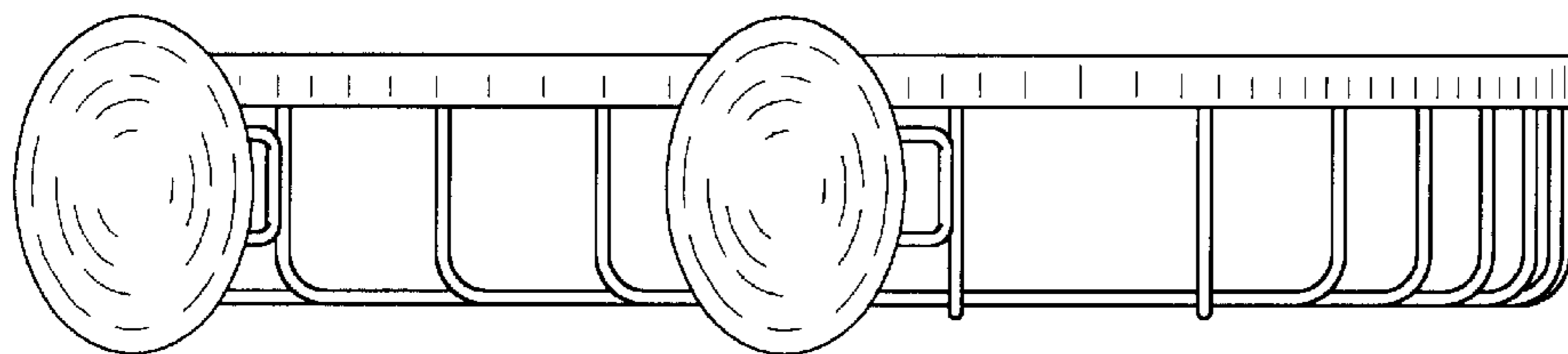


FIG-7

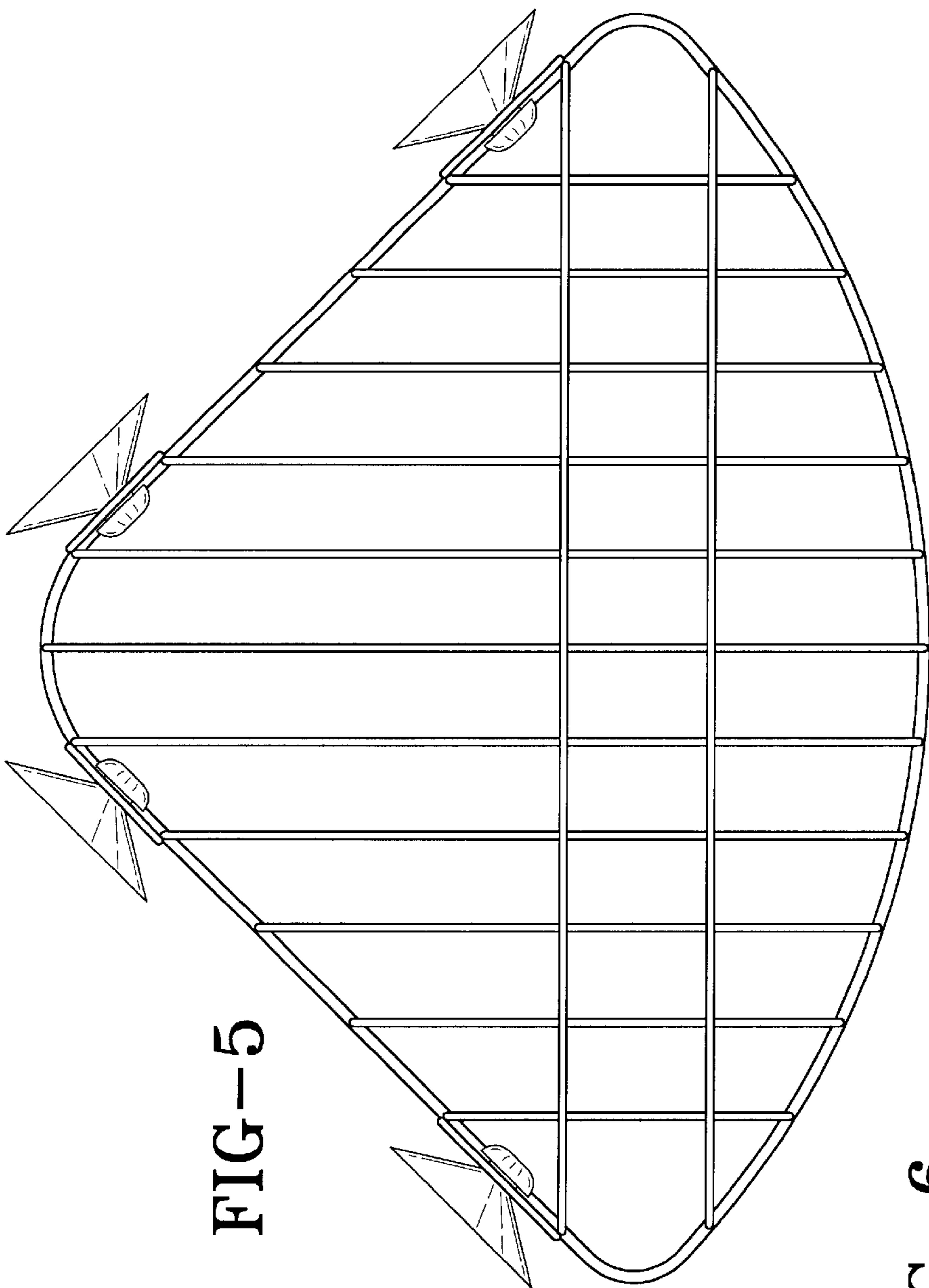


FIG-5

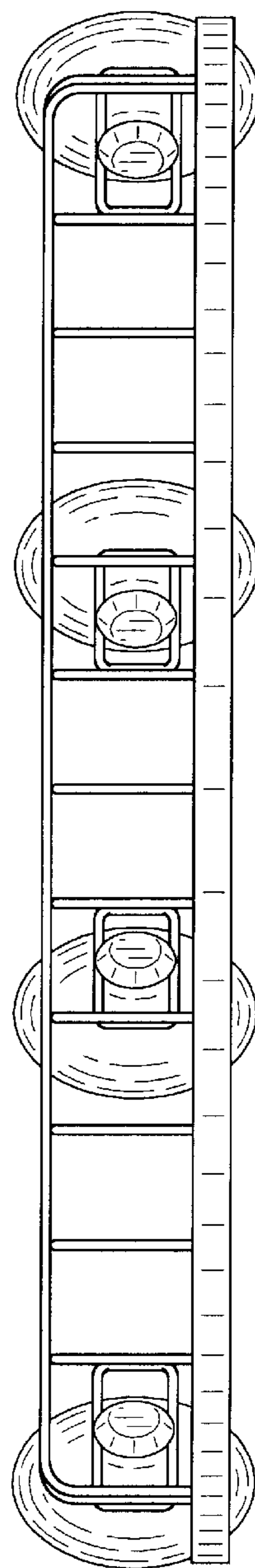


FIG-6