



US00D449477B1

(12) **United States Design Patent**
Travis

(10) **Patent No.:** **US D449,477 S**

(45) **Date of Patent:** **** Oct. 23, 2001**

(54) **BATHROOM TOWEL FIXTURE**

D. 432,830 * 10/2000 Gastelum et al. D6/523
D. 433,261 * 11/2000 Solowiej D6/523

(75) Inventor: **Stephen L. Travis**, Bentonville, AR
(US)

* cited by examiner

(73) Assignee: **Test Rite Products Corporation**,
Buena Park, CA (US)

Primary Examiner—Brian N. Vinson
(74) *Attorney, Agent, or Firm*—Sheppard, Mullin, Richter
& Hampton LLP; James R. Brueggemann

(**) Term: **14 Years**

(57) **CLAIM**

(21) Appl. No.: **29/136,144**

I claim the ornamental design for a bathroom towel fixture,
as shown and described.

(22) Filed: **Jan. 24, 2001**

(51) **LOC (7) Cl.** **06-04**

(52) **U.S. Cl.** **D6/546**

(58) **Field of Search** D6/546-50, 518,
D6/522-24; D8/300, 307-308, 315-21;
108/28-29; 211/13.1, 16, 60.1, 86.01, 87.01,
88.04, 100, 105.1-105.2, 123, 181.1, 182;
242/570, 590, 595, 597-98; 248/175, 176.1,
251, 302; 16/110.1, 412, 415

DESCRIPTION

FIG. 1 is a perspective view of a bathroom towel fixture
embodying my new design.

FIG. 2 is a left side elevational view thereof.

FIG. 3 is a front elevational view thereof.

FIG. 4 is a right side elevational view thereof.

FIG. 5 is a rear elevational view thereof.

FIG. 6 is a top plan view thereof; and,

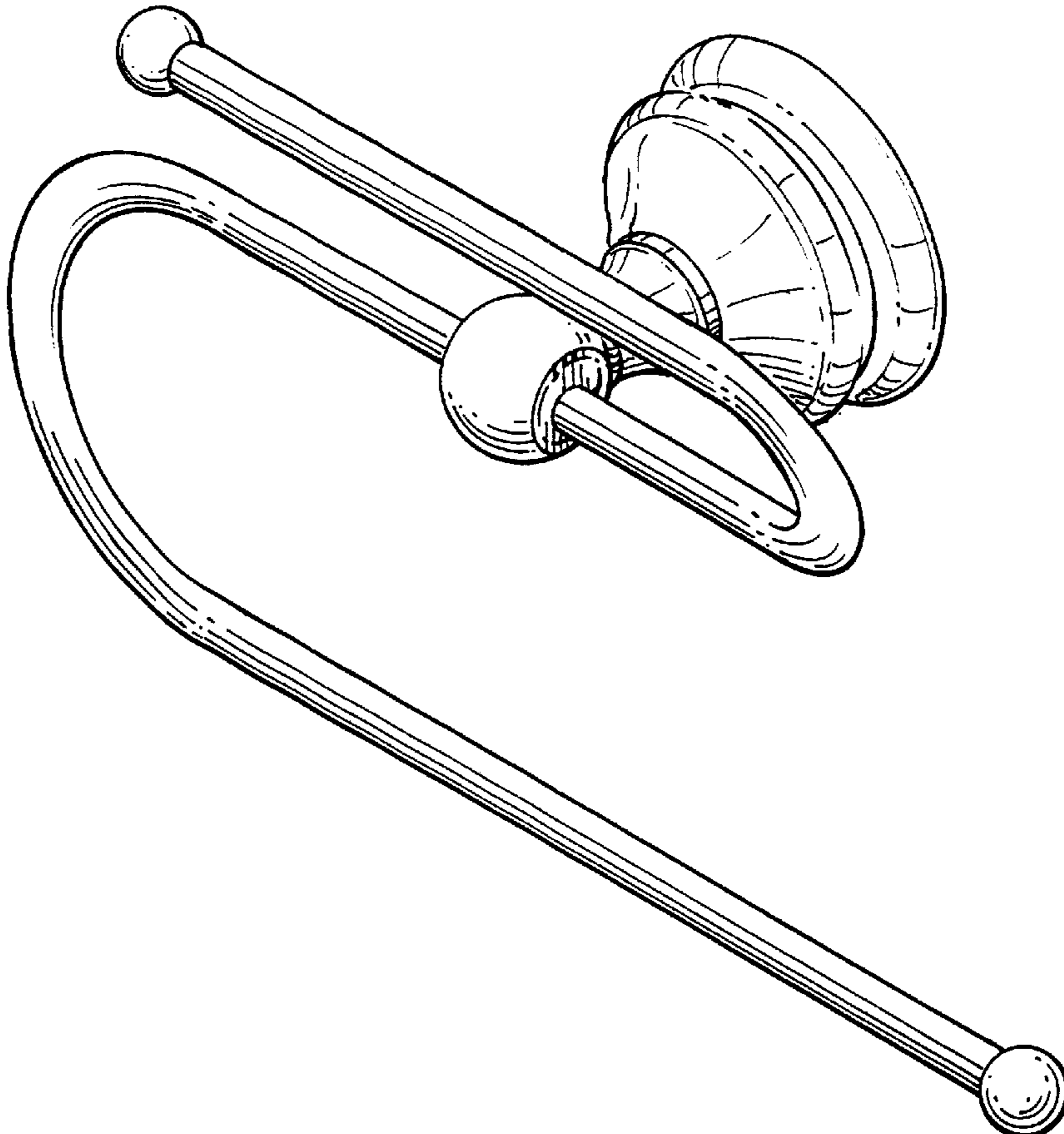
FIG. 7 is a bottom plan view thereof.

(56) **References Cited**

U.S. PATENT DOCUMENTS

D. 432,829 * 10/2000 Gastelum et al. D6/523

1 Claim, 4 Drawing Sheets



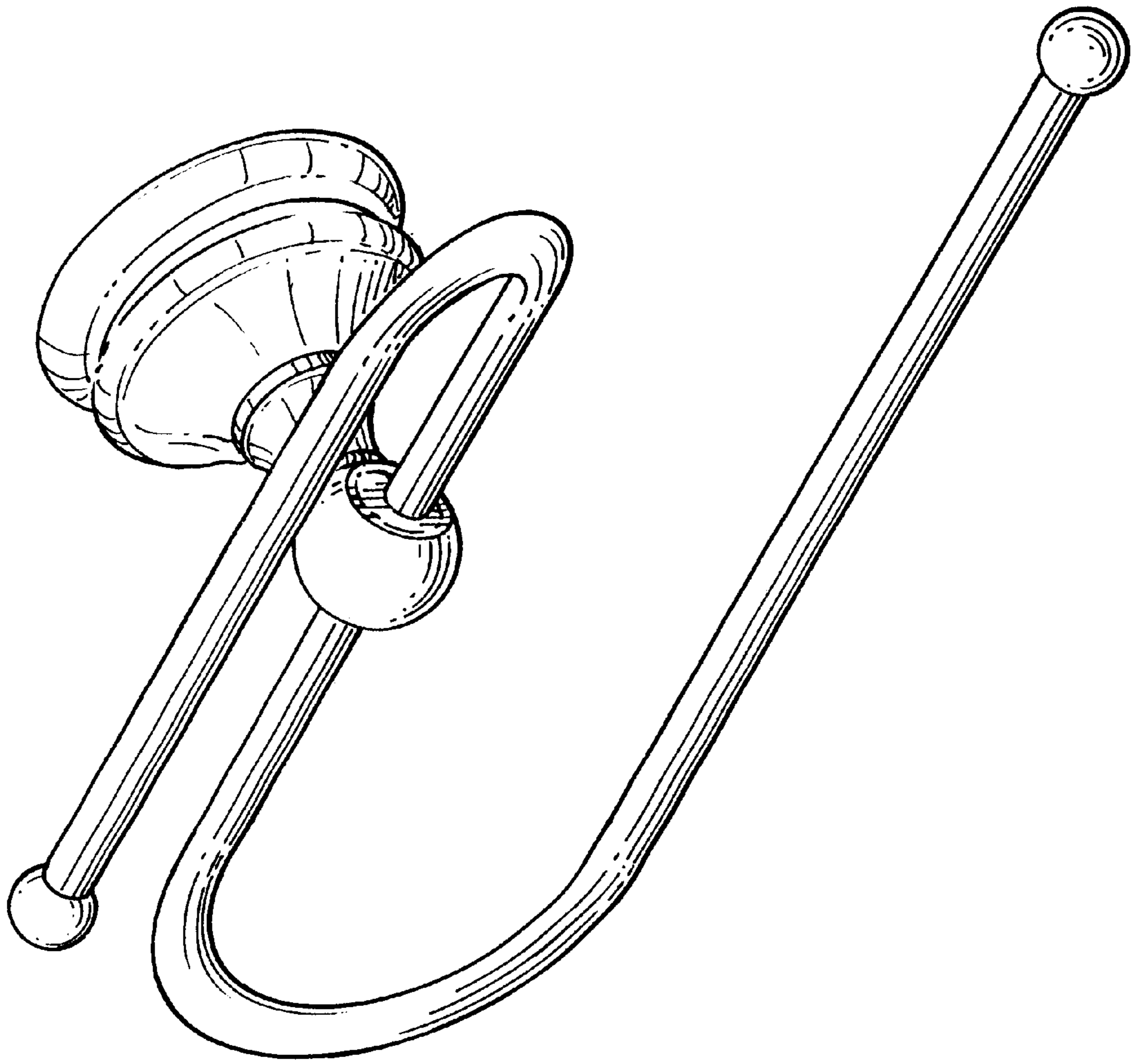


FIG. 1

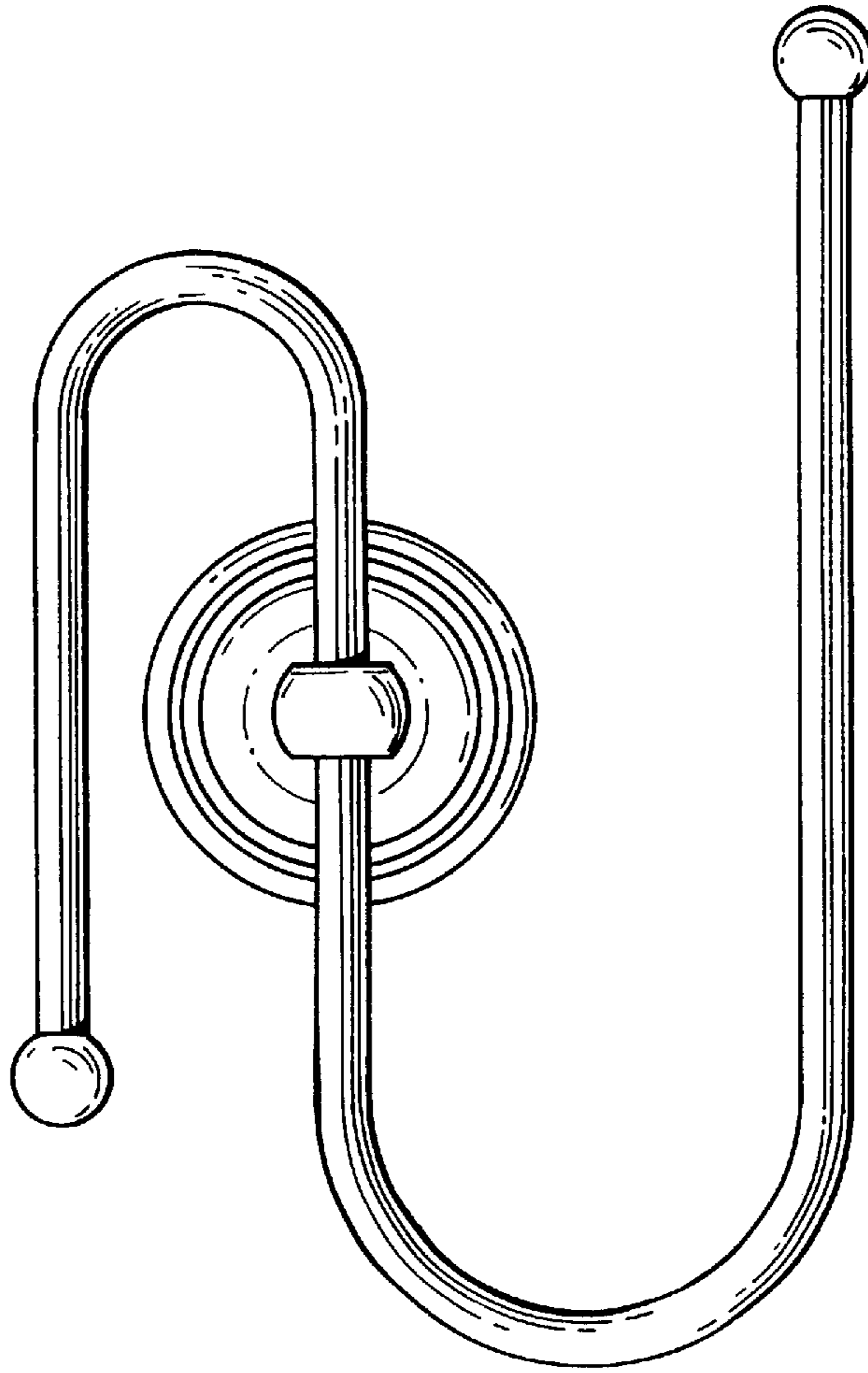


FIG. 2

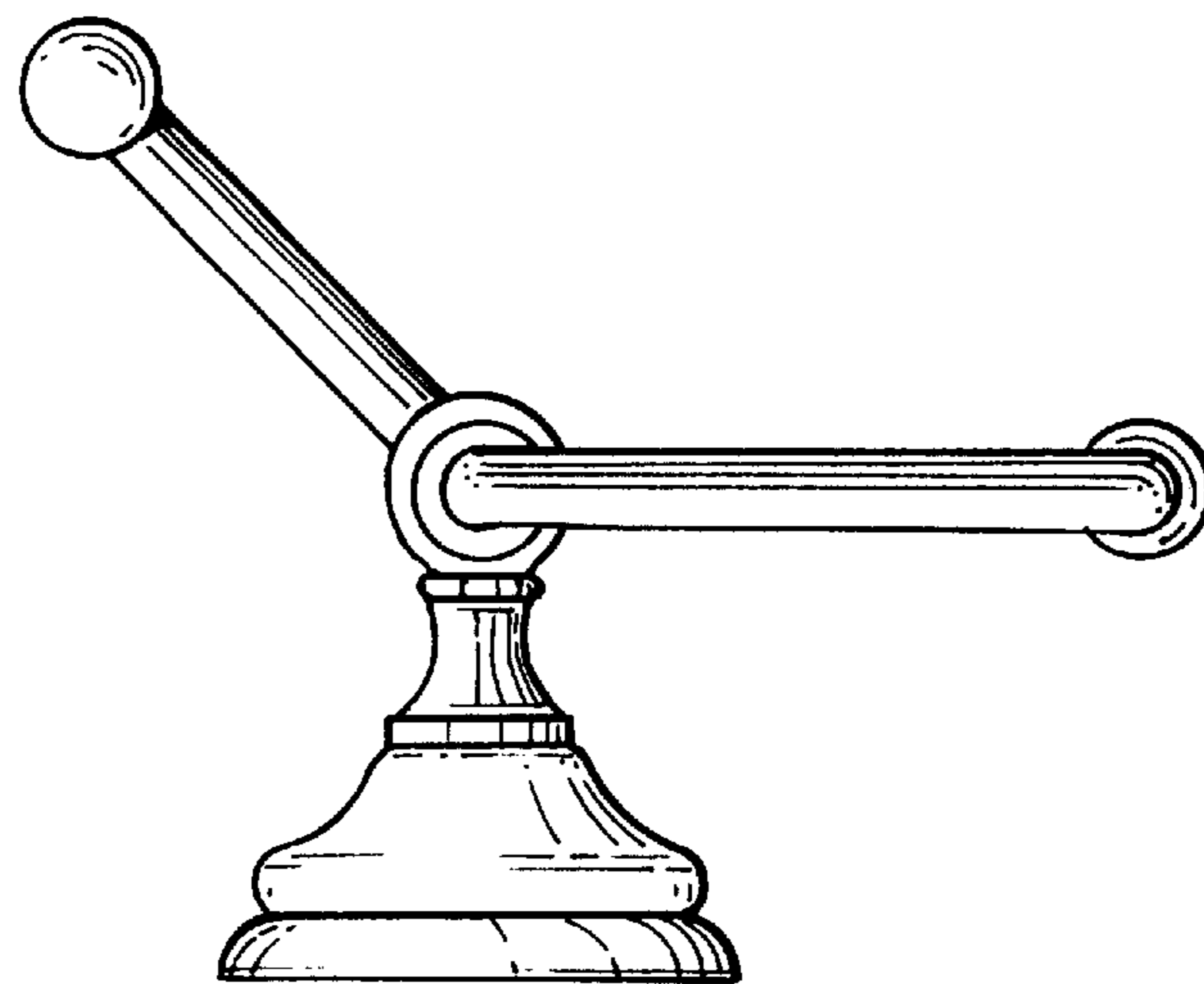


FIG. 3

FIG. 4

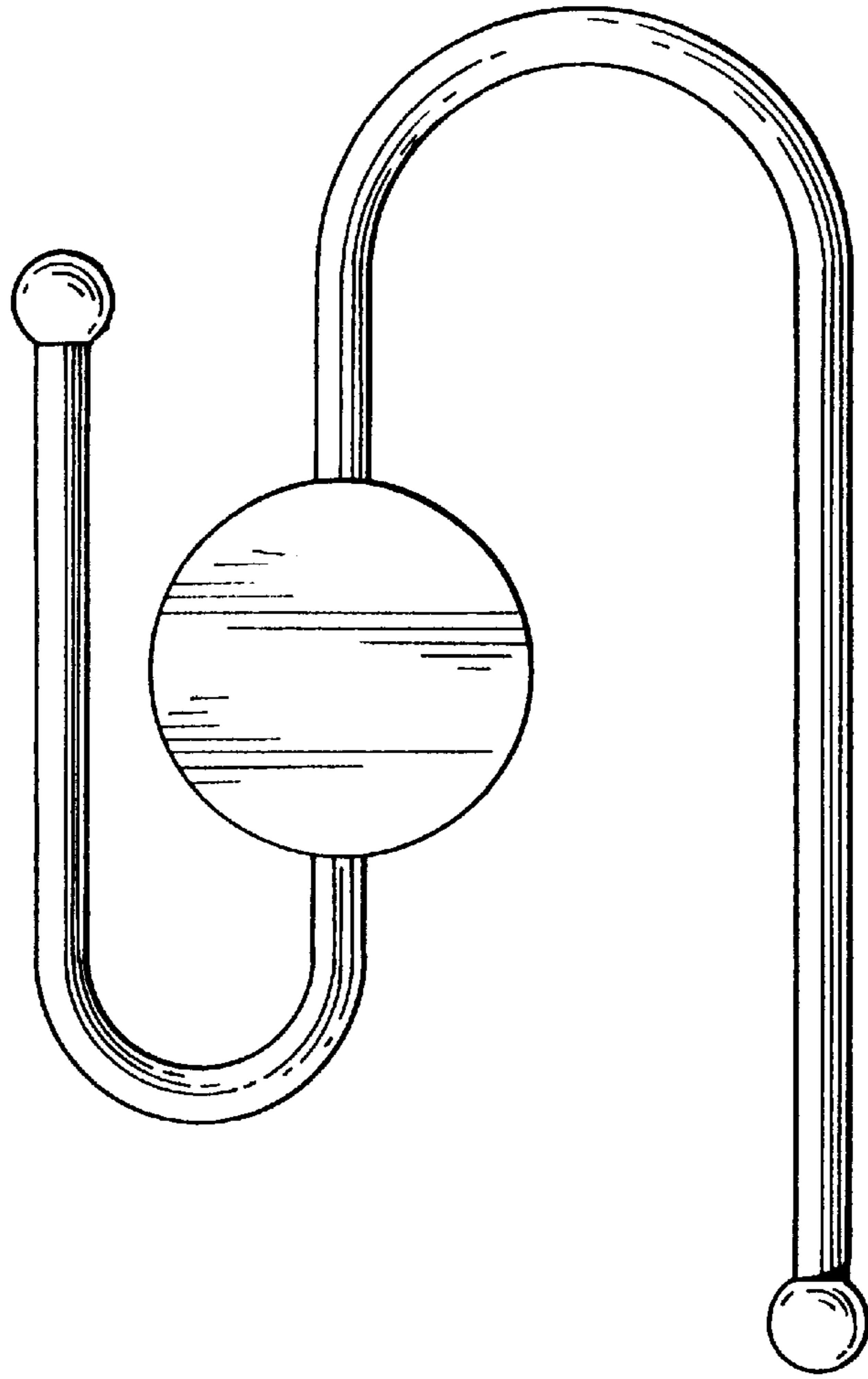
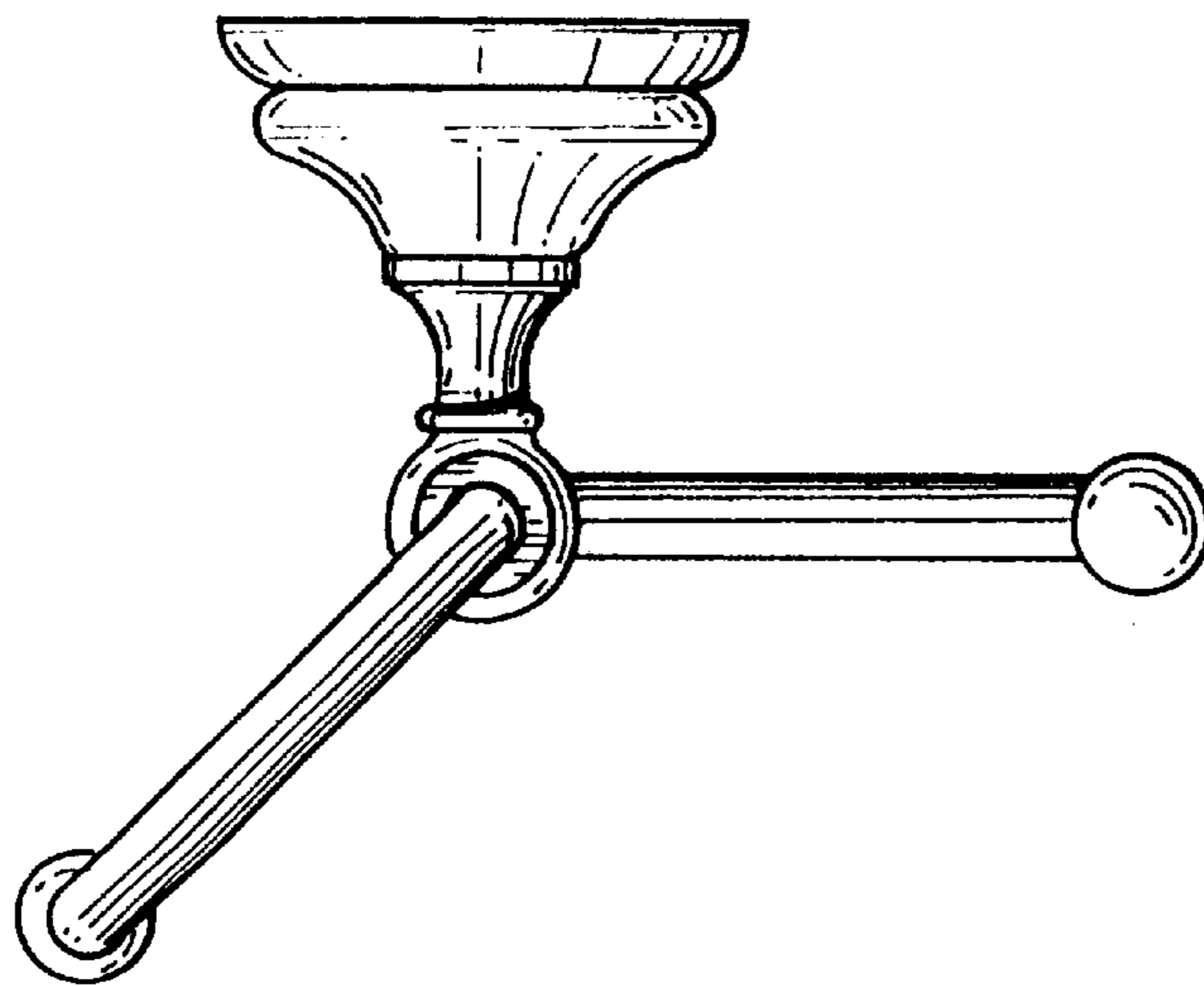


FIG. 5

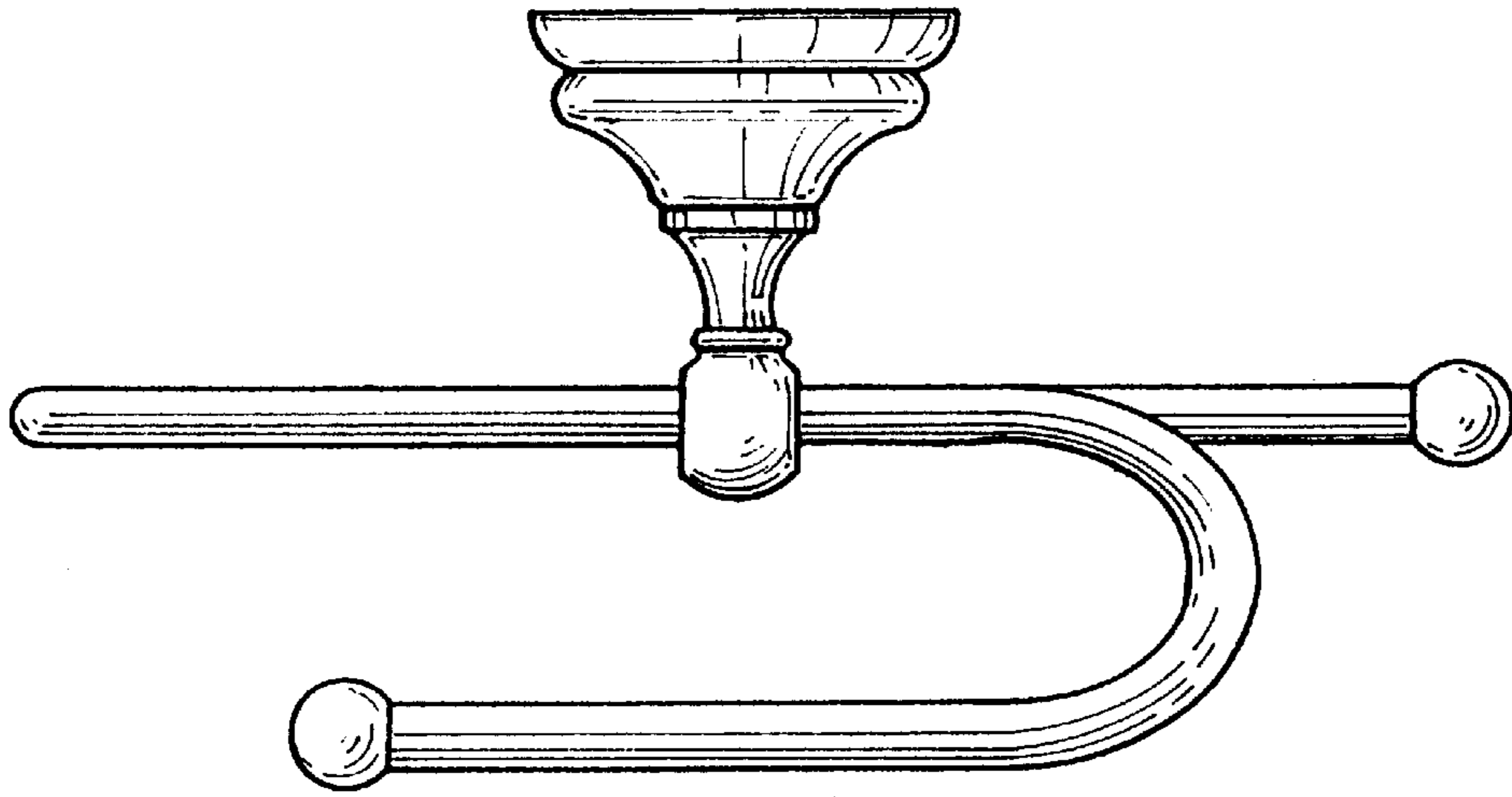


FIG. 6

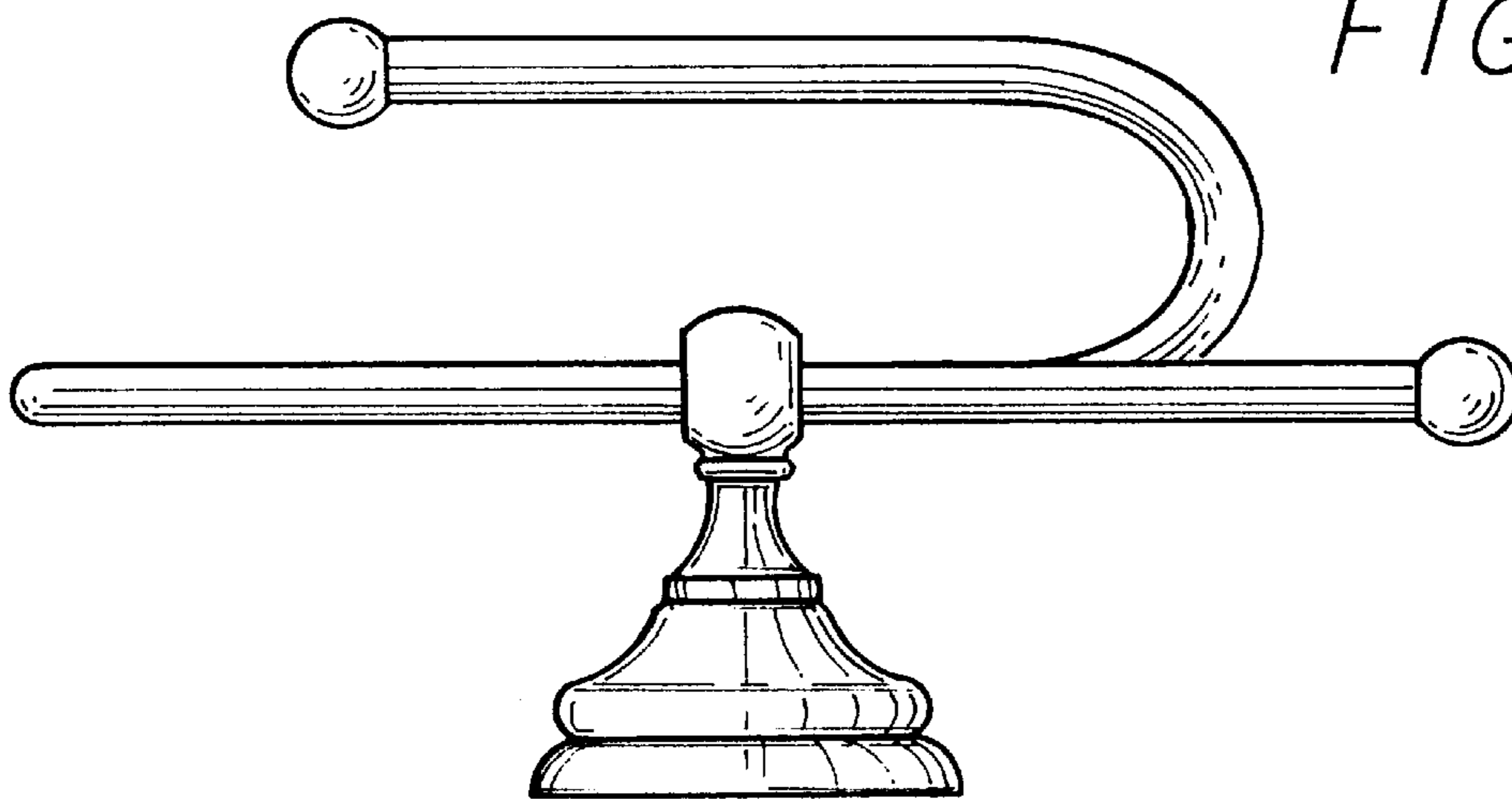


FIG. 7