



US00D449476B1

(12) **United States Design Patent**
Ingram

(10) **Patent No.:** **US D449,476 S**

(45) **Date of Patent:** **** Oct. 23, 2001**

(54) **SOAP COLLECTING TRAY**

5,044,522 9/1991 Roig et al. .
5,657,954 8/1997 Emery et al. .

(76) Inventor: **Daniel L Ingram**, 3511 N. 84th St.,
Omaha, NE (US) 68134

* cited by examiner

(**) Term: **14 Years**

Primary Examiner—Brian N. Vinson

(21) Appl. No.: **29/131,806**

(57) **CLAIM**

(22) Filed: **Oct. 26, 2000**

The ornamental design for a soap collecting tray, as shown and described.

(51) **LOC (7) Cl.** **23-02**

DESCRIPTION

(52) **U.S. Cl.** **D6/540**

(58) **Field of Search** D6/524, 529, 532,
D6/536-540; 211/13.1, 86-88, 126, 134;
248/309.1; 206/77.1

FIG. 1 is a front elevational view of the soap collecting tray of the present invention;

FIG. 2 is a rear elevational view of the soap collecting tray of FIG. 1;

FIG. 3 is a left side elevational view of the soap collecting tray of FIG. 1, the right view being a mirror image thereof;

FIG. 4 is a top plan view of the soap collecting tray of FIG. 1;

FIG. 5 is a bottom plan view of the soap collecting tray of FIG. 1; and,

FIG. 6 is a top, front, left side perspective view in an alternate position (assembled) of the soap collecting tray of FIG. 1.

(56) **References Cited**

U.S. PATENT DOCUMENTS

D. 167,895	*	10/1952	Hallward	D6/540
D. 255,732	*	7/1980	Thomasson	D6/540
D. 256,861		9/1980	Ryan et al.	.	
D. 261,203		10/1981	Shames et al.	.	
D. 357,837	*	5/1995	Kea	D6/540
D. 396,158	*	7/1998	Rodis et al.	D6/540
2,922,248		1/1960	Kocsi	.	
3,282,519		11/1966	Rheinstrom	.	

1 Claim, 5 Drawing Sheets

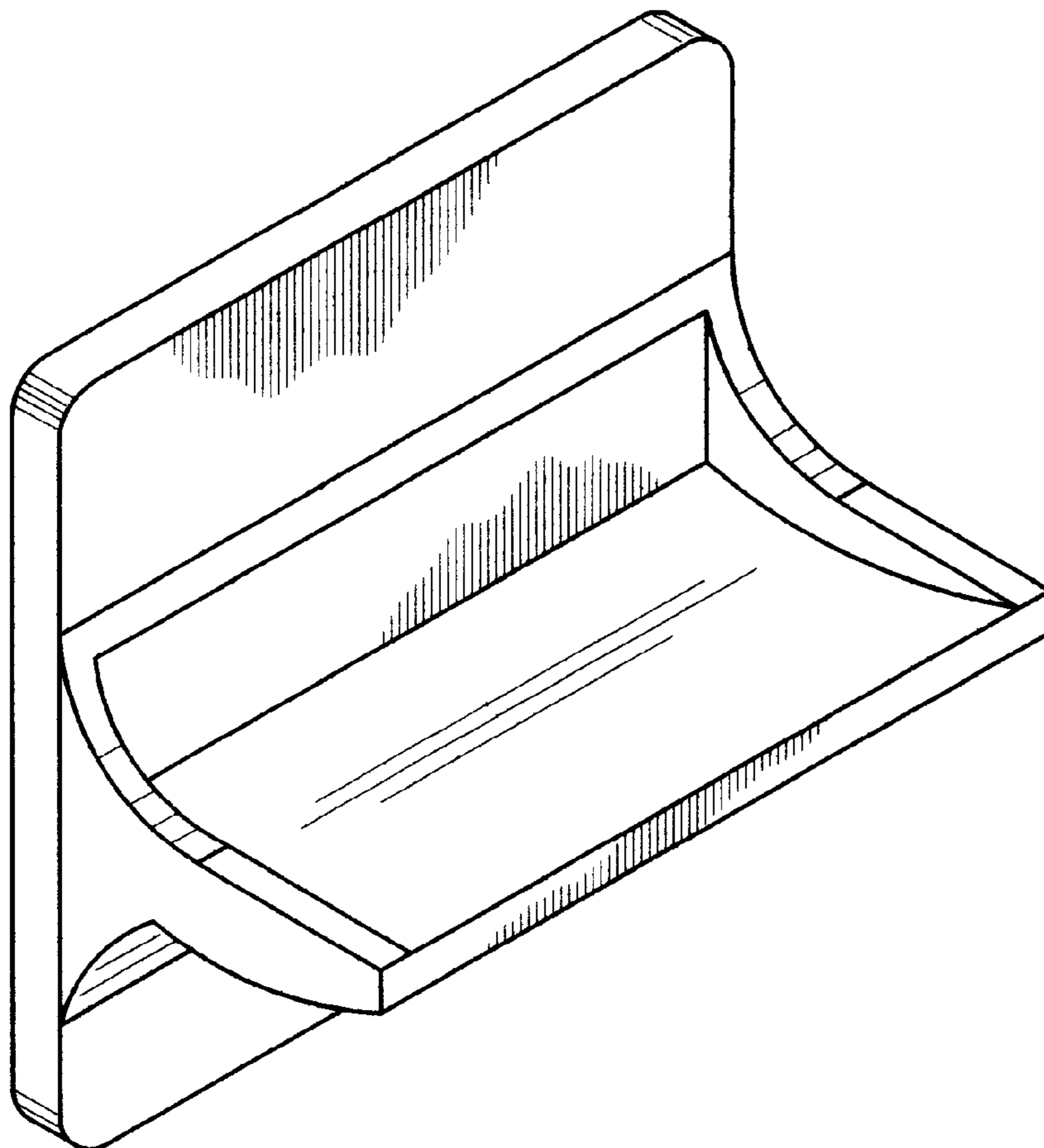


FIG. 1

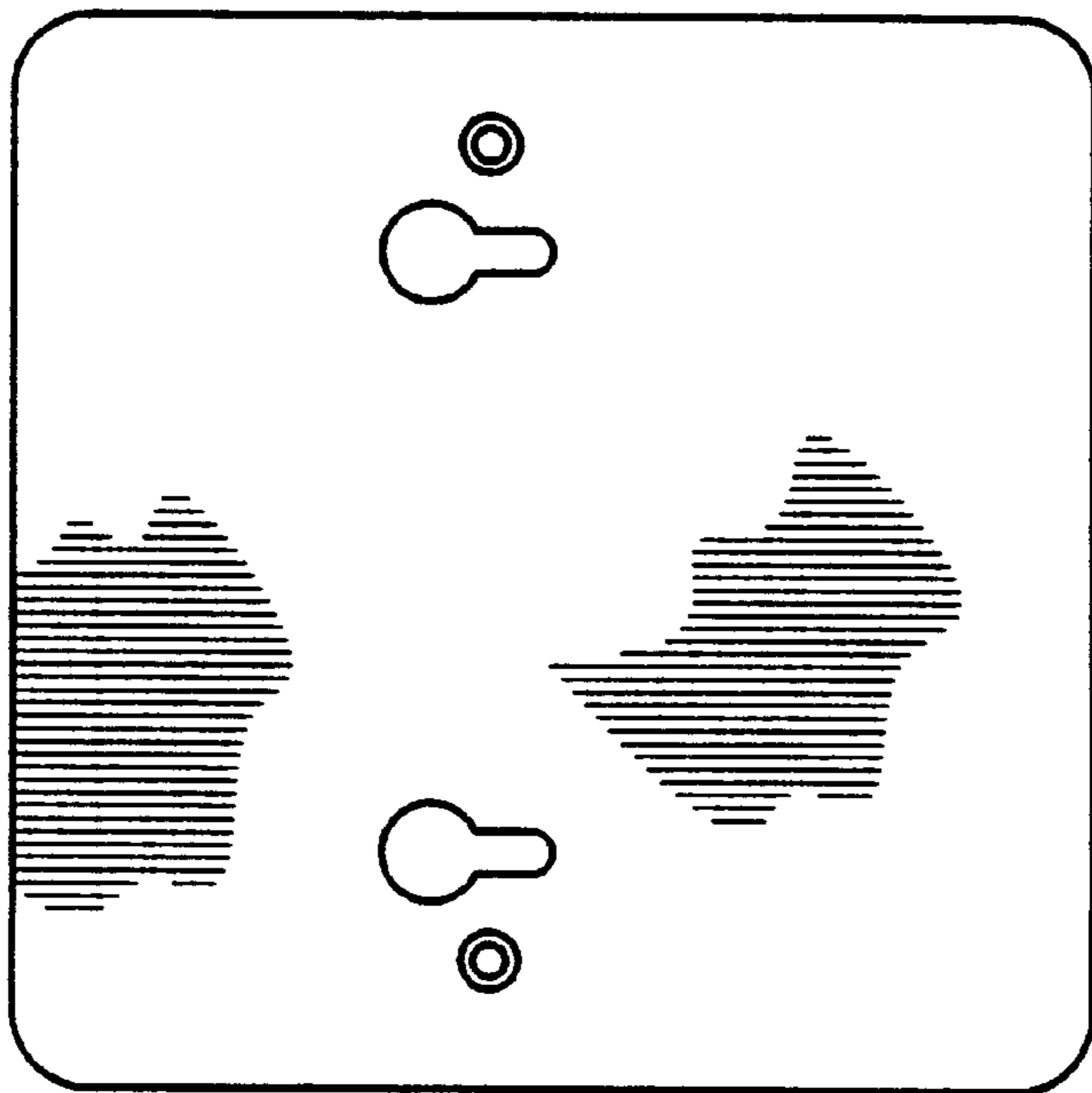
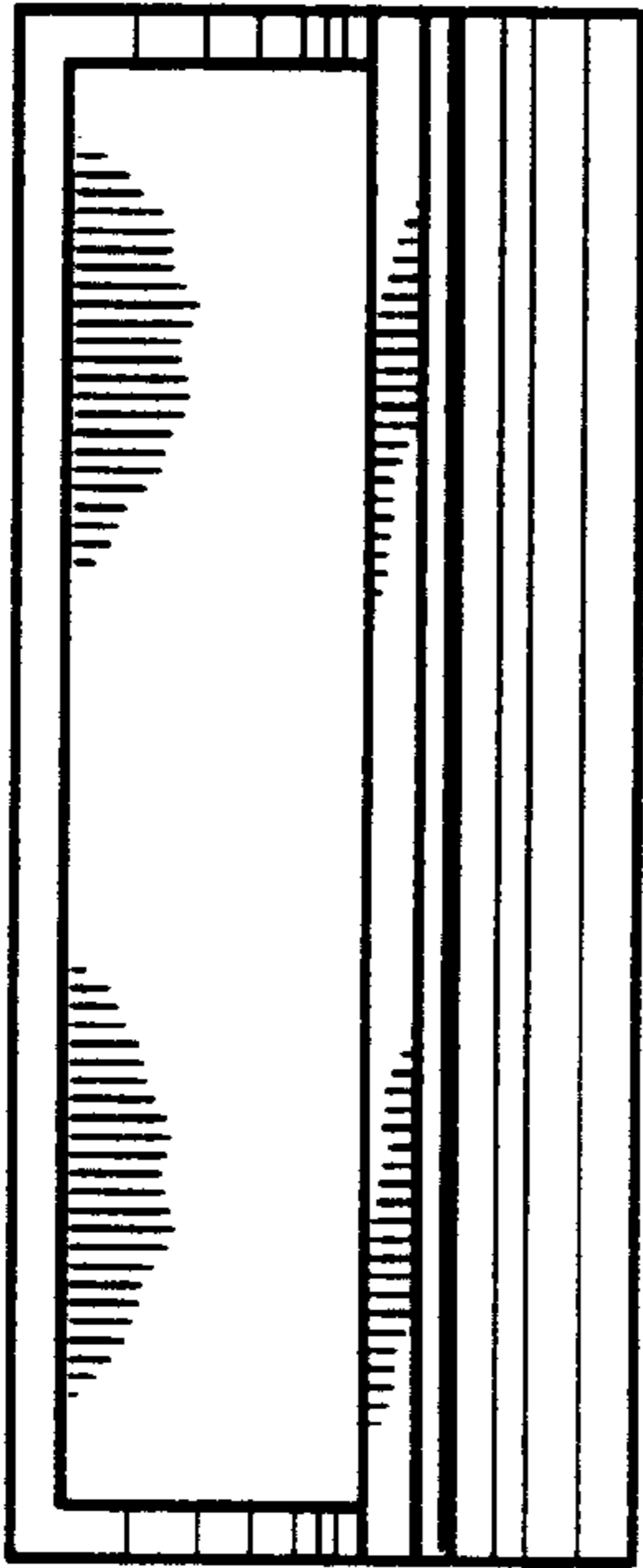
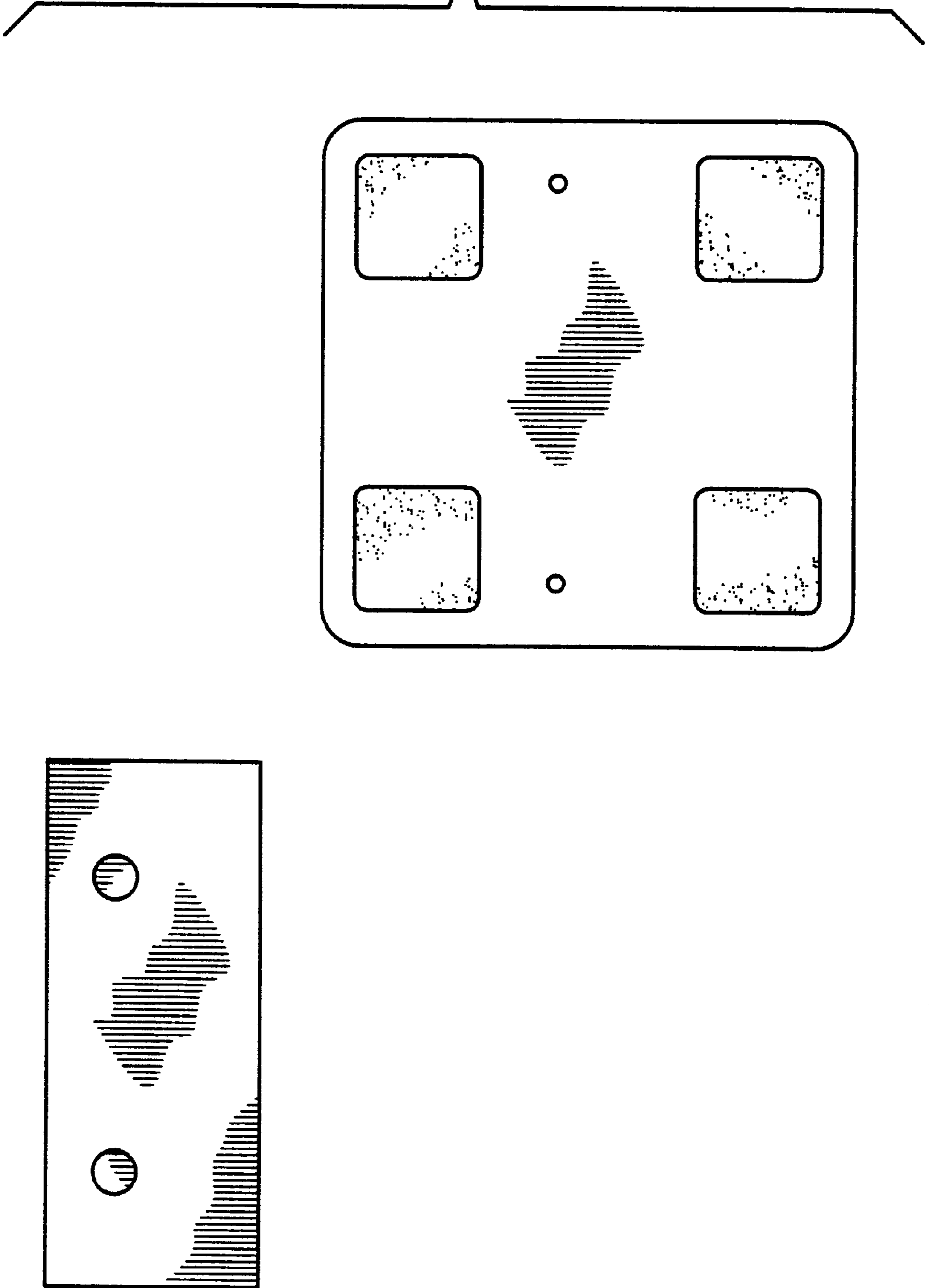


FIG. 2



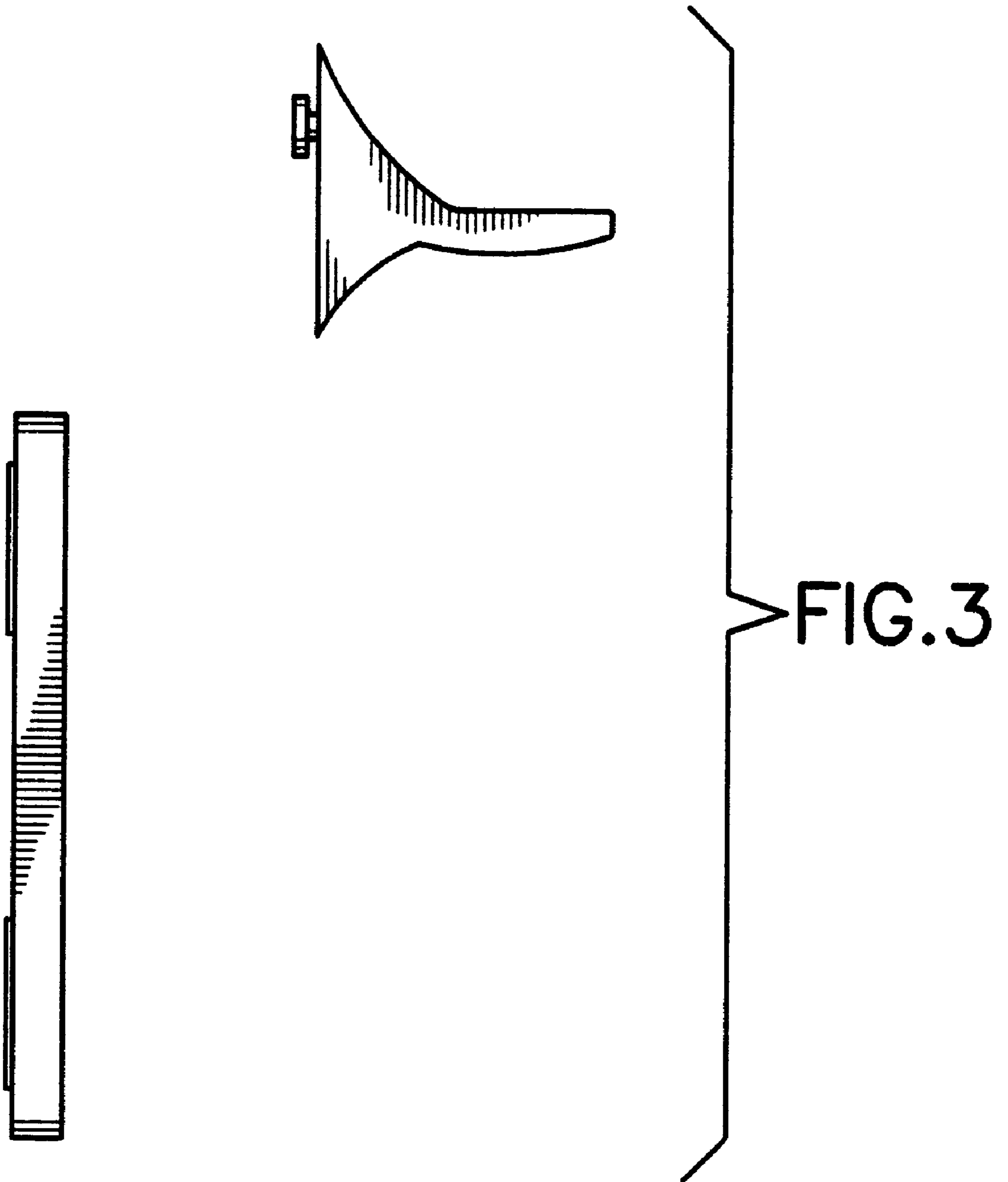


FIG. 4

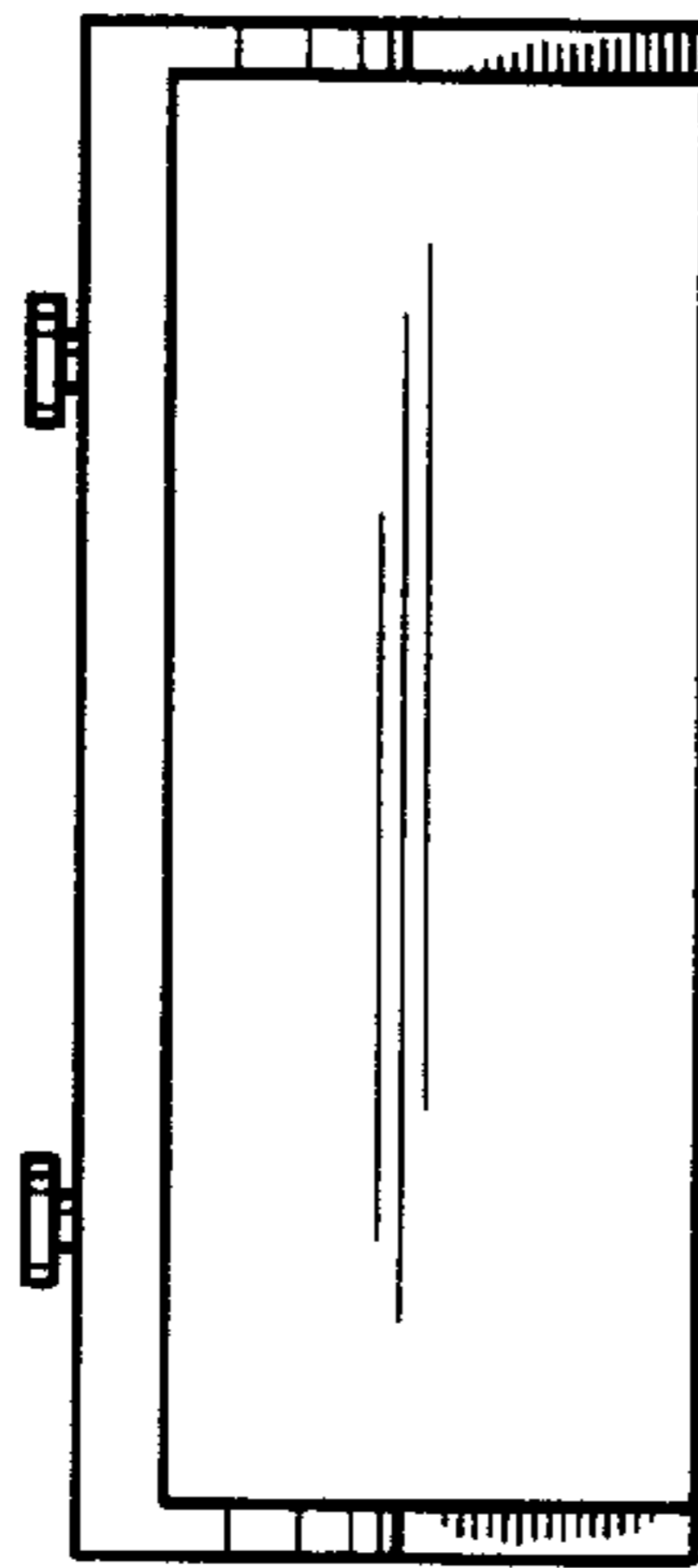
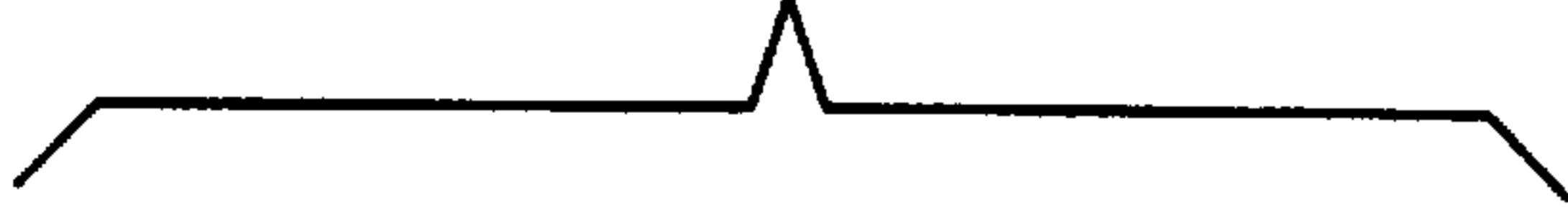
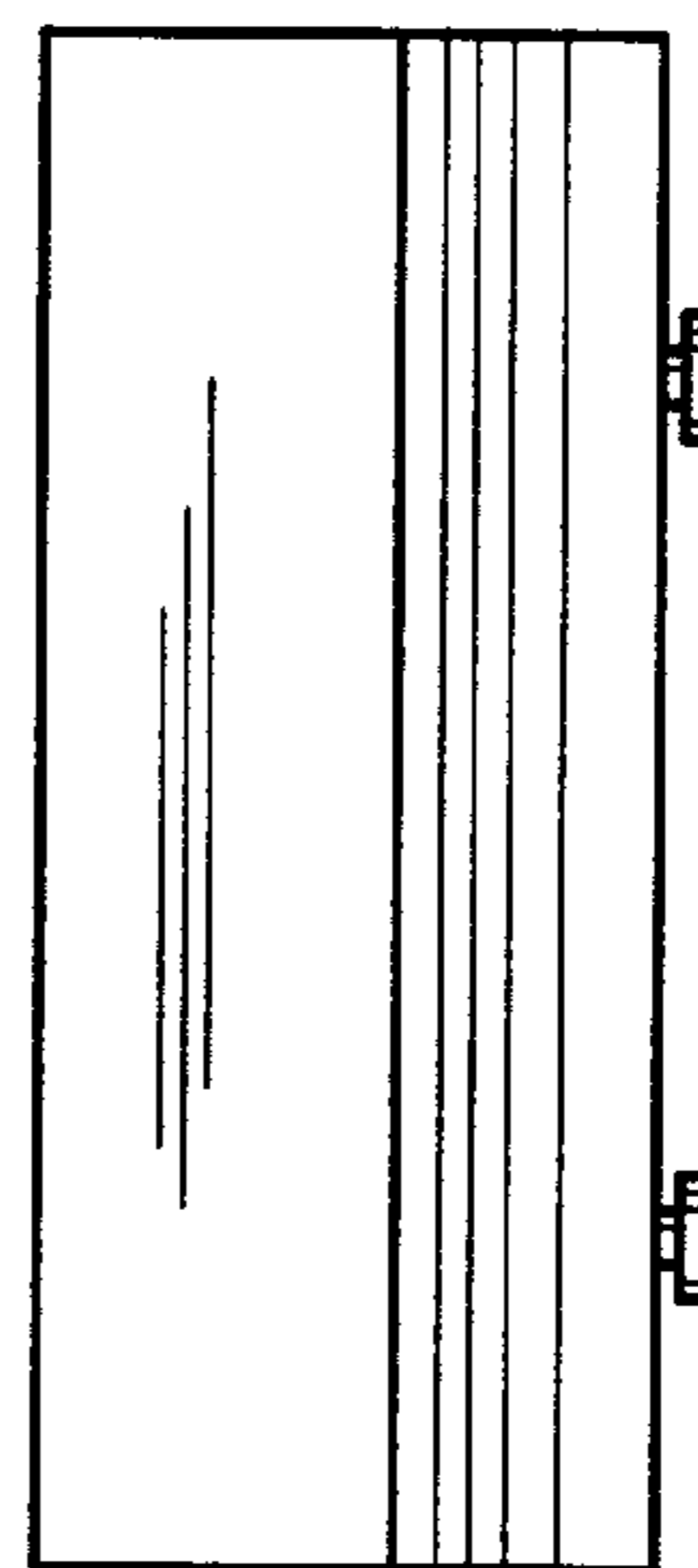


FIG. 5



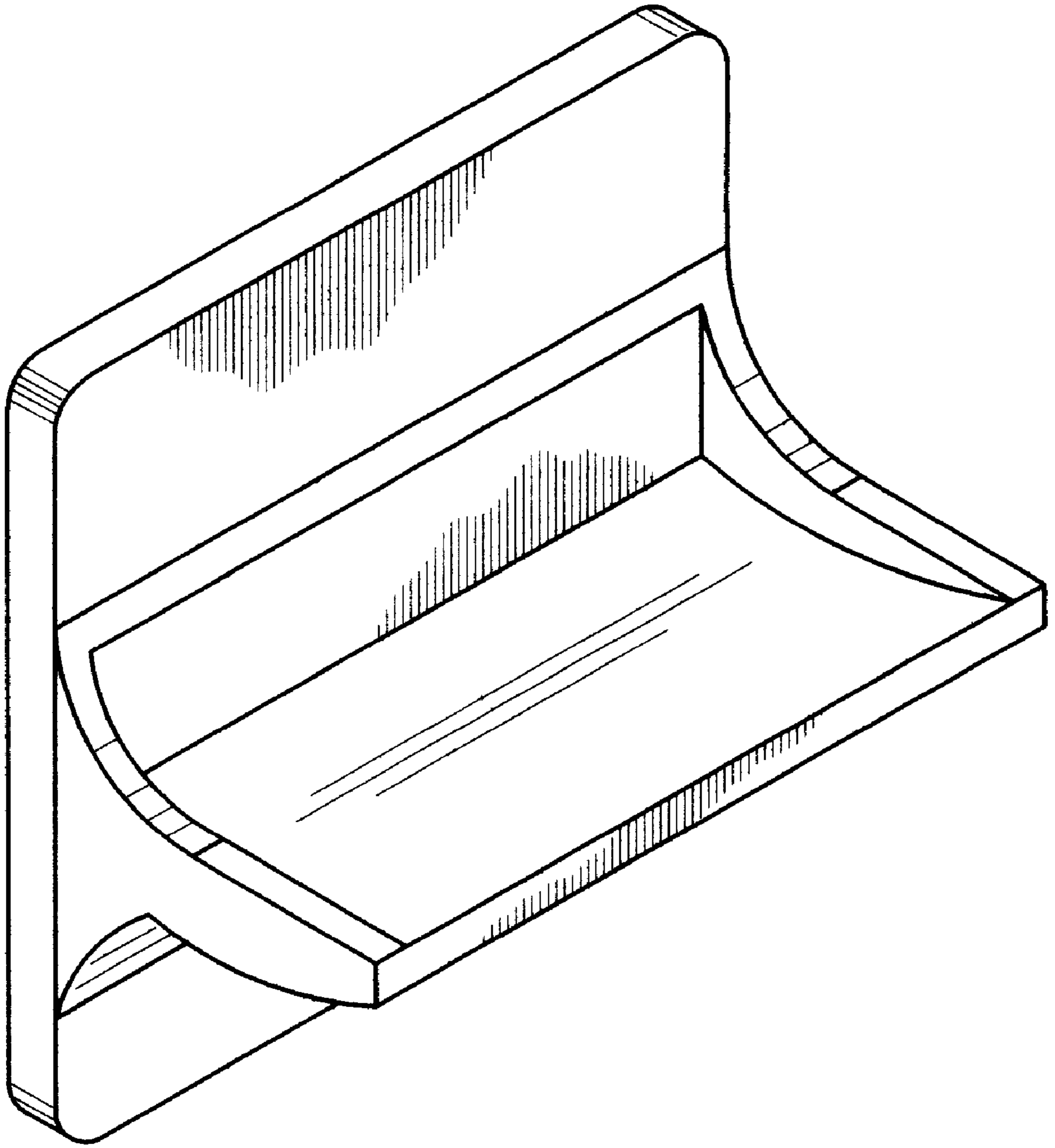


FIG. 6