



US00D449470B1

(12) **United States Design Patent**  
**Morrow**

(10) **Patent No.:** **US D449,470 S**

(45) **Date of Patent:** **\*\* Oct. 23, 2001**

(54) **DESK**

(75) Inventor: **David Paul Morrow**, Winnipeg (CA)

(73) Assignee: **Palliser Furniture, Ltd.**, Winnipeg (CA)

(\*\*) Term: **14 Years**

(21) Appl. No.: **29/137,801**

(22) Filed: **Feb. 28, 2001**

(51) **LOC (7) Cl.** ..... **06-03**

(52) **U.S. Cl.** ..... **D6/484**

(58) **Field of Search** ..... D6/480-489, 495-499,  
D6/511, 426, 427; 108/153.1, 156, 157.1,  
161, 50.01, 50.02; 248/188, 188.1, 188.7,  
188.8

(56) **References Cited**

**U.S. PATENT DOCUMENTS**

- D. 385,727 \* 11/1997 Chang ..... D6/480
- D. 415,910 \* 11/1999 Chang ..... D6/480
- D. 435,367 \* 12/2000 Tzeng ..... D6/480

**OTHER PUBLICATIONS**

Dittrich brochure showing several desk designs, entitled (in German) "Am Anfang war das Z . . .". Date of brochure unknown.

Dittrich brochure showing several chair designs, entitled (in German) "Platz zu nehmen . . .". Date of brochure unknown.

\* cited by examiner

*Primary Examiner*—Janice E. Seeger

(74) *Attorney, Agent, or Firm*—Senniger, Powers, Leavitt & Roedel

(57) **CLAIM**

The ornamental design for a desk, as shown and described.

**DESCRIPTION**

FIG. 1 is a front perspective view of a desk embodying my design;

FIG. 2 is a rear perspective view of the desk of FIG. 1;

FIG. 3 is a top view of the desk of FIG. 1;

FIG. 4 is a front view of the desk of FIG. 1;

FIG. 5 is a right side elevational view of the desk of FIG. 1;

FIG. 6 is a rear view of the desk of FIG. 1;

FIG. 7 is a left side elevational view of the desk of FIG. 1;

FIG. 8 is a bottom view of the desk of FIG. 1;

FIG. 9 is variation of the desk of FIG. 1 having a non-transparent horizontal surface;

FIG. 10 is another variation of a desk embodying my design in front perspective view;

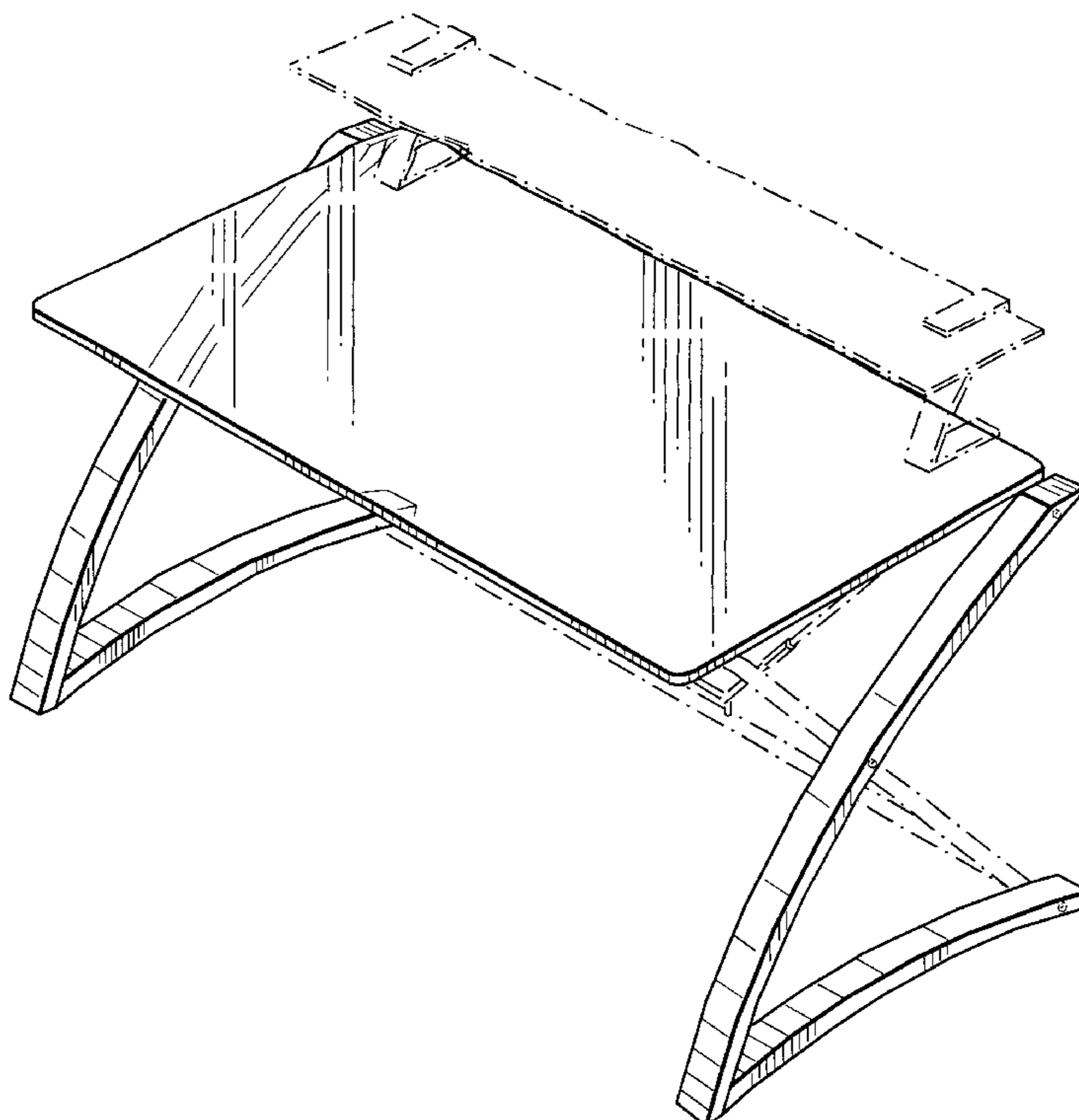
FIG. 11 is a rear perspective view of the desk of FIG. 10;

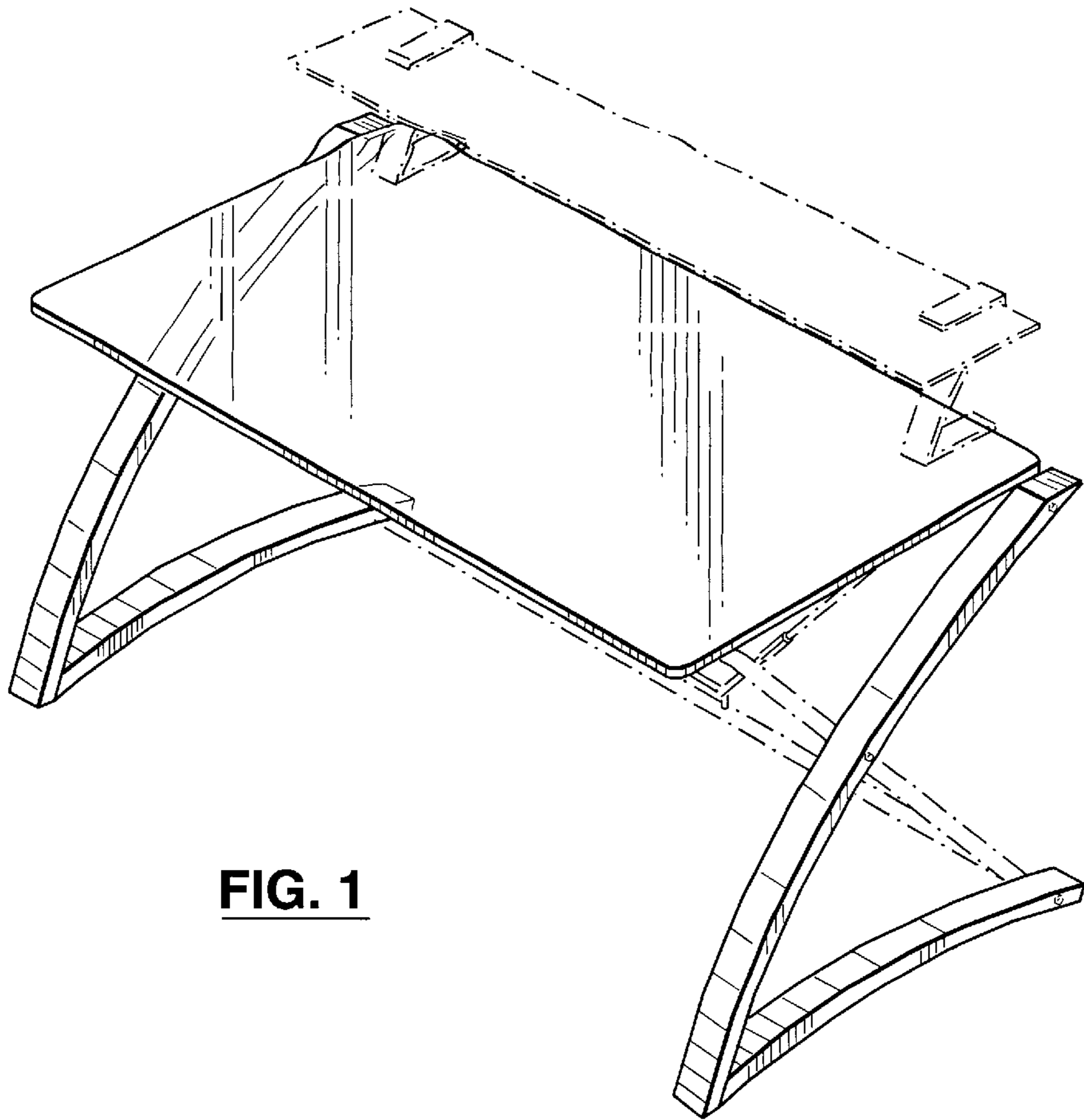
FIG. 12 is a top view of the desk of FIG. 10; and,

FIG. 13 is a right side elevational view of the desk of FIG. 10, the left side elevational view being a mirror image.

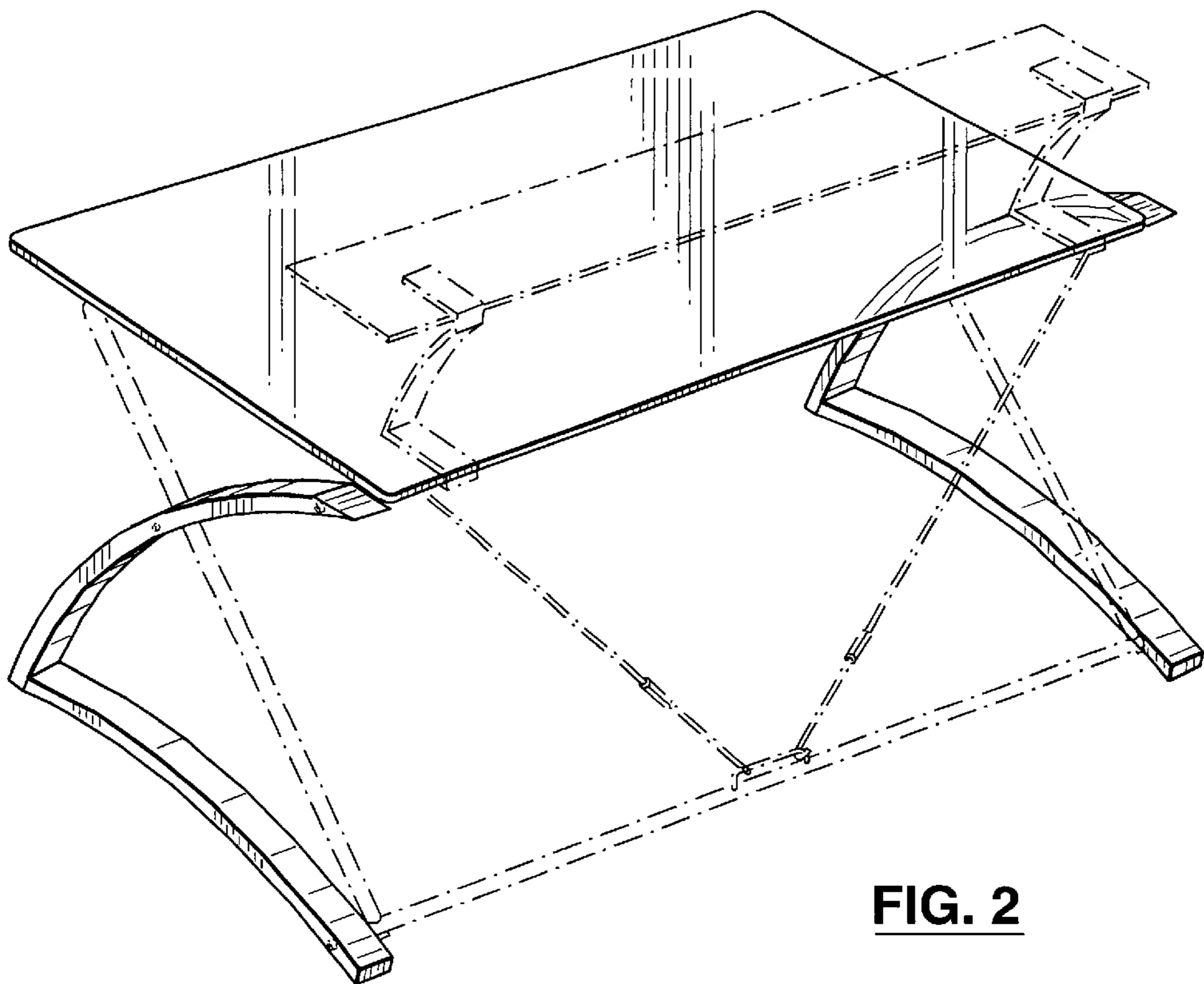
The features shown in broken lines are not part of the claimed invention.

**1 Claim, 6 Drawing Sheets**

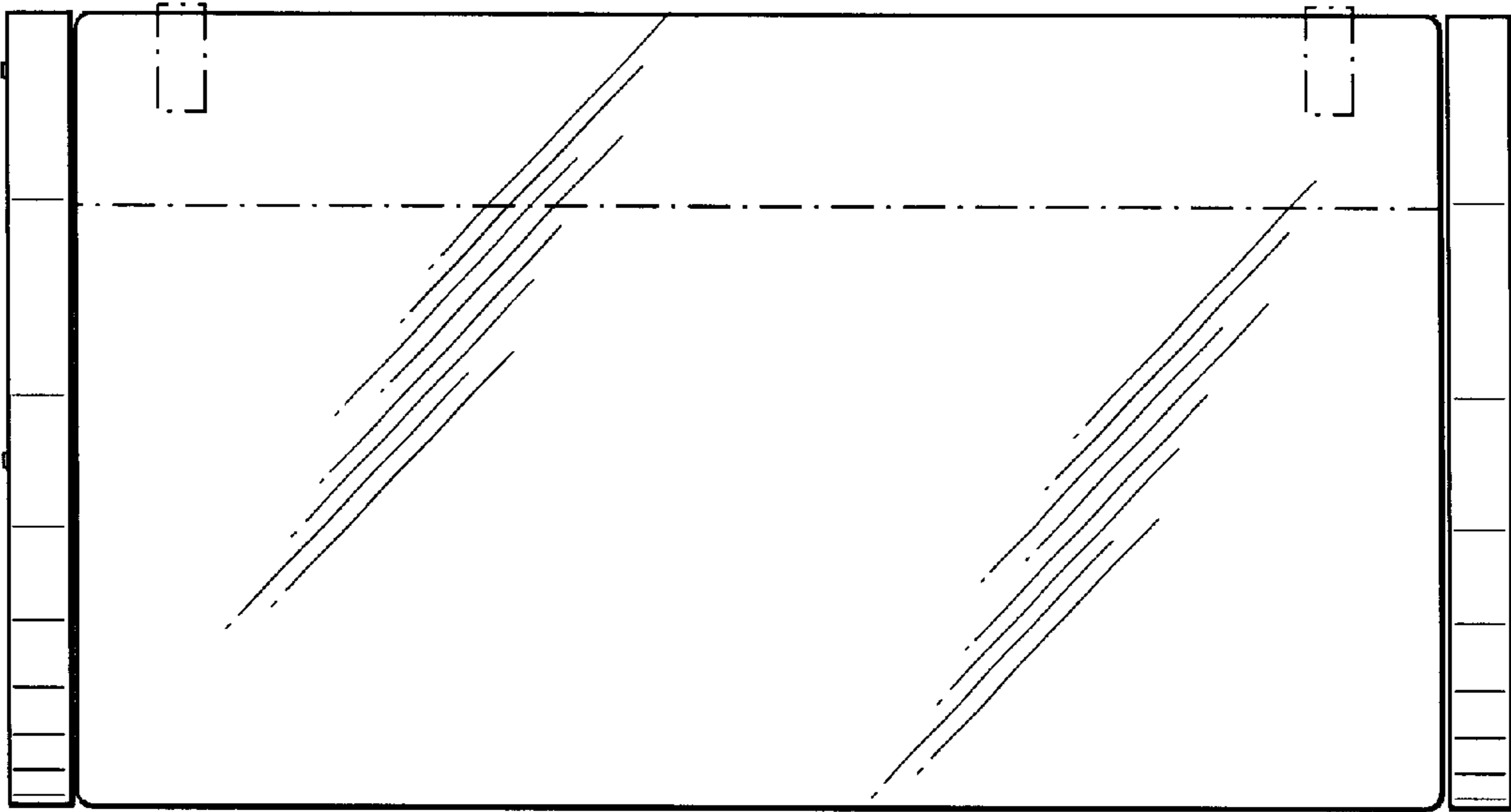




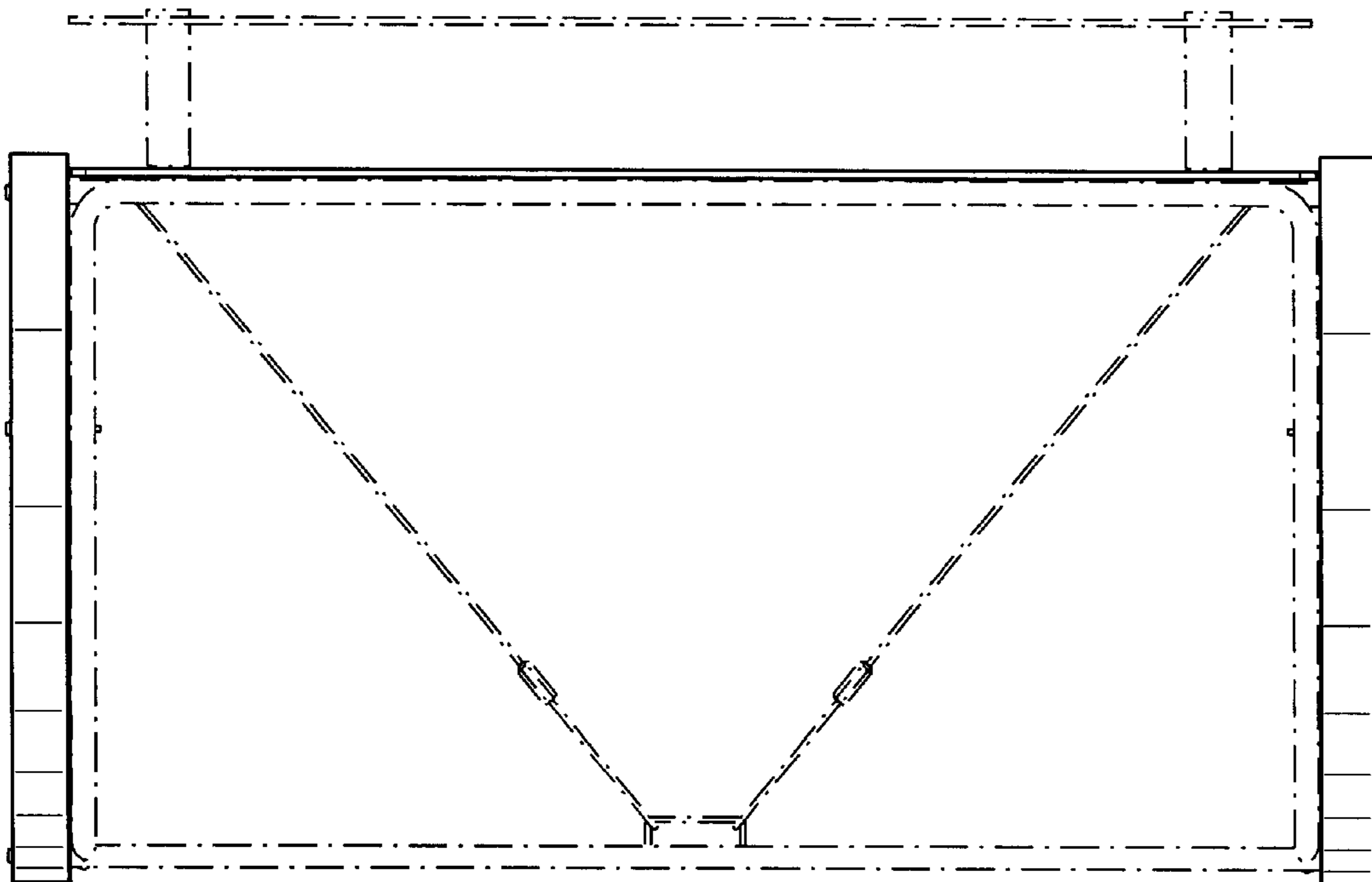
**FIG. 1**



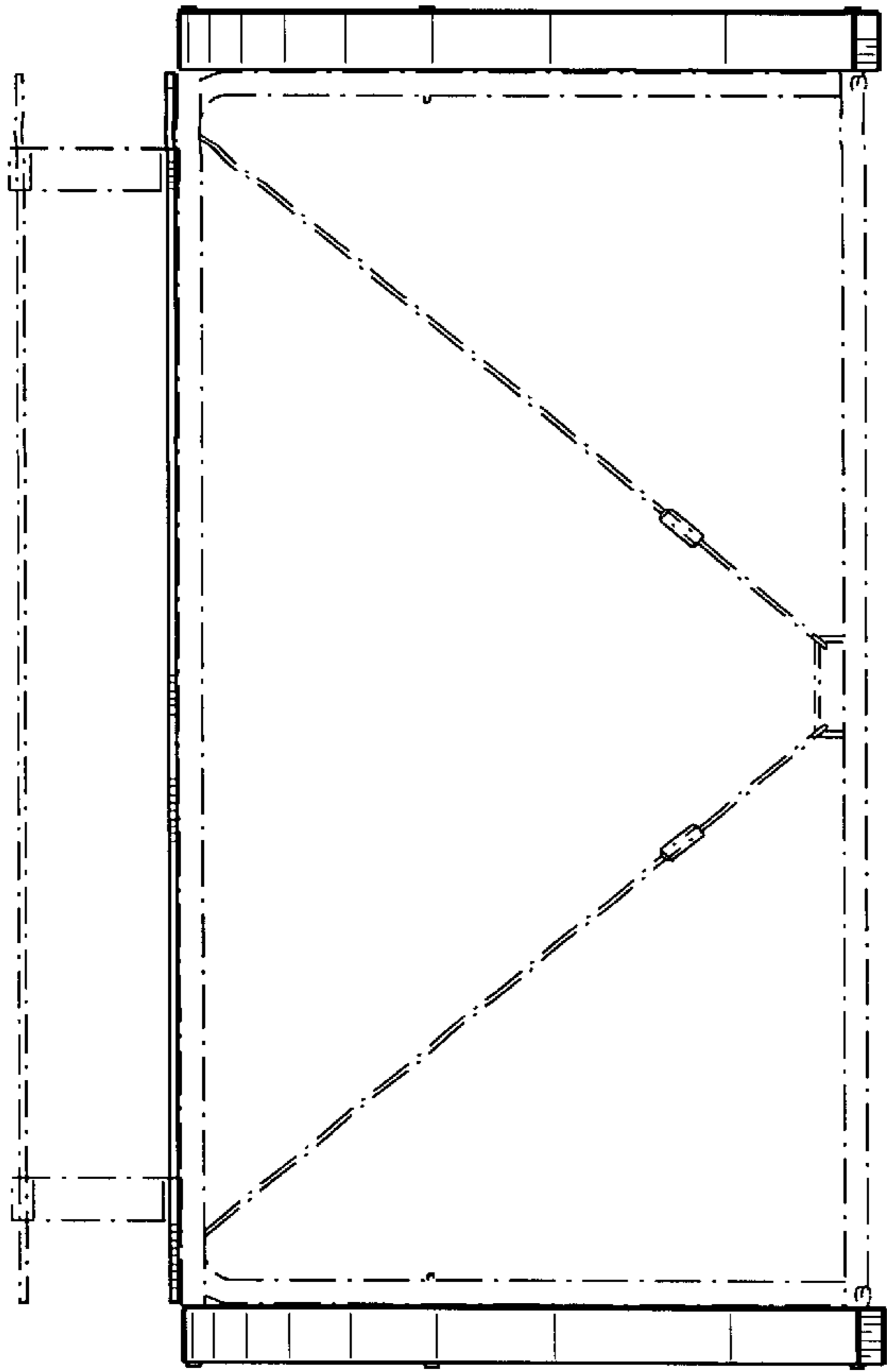
**FIG. 2**



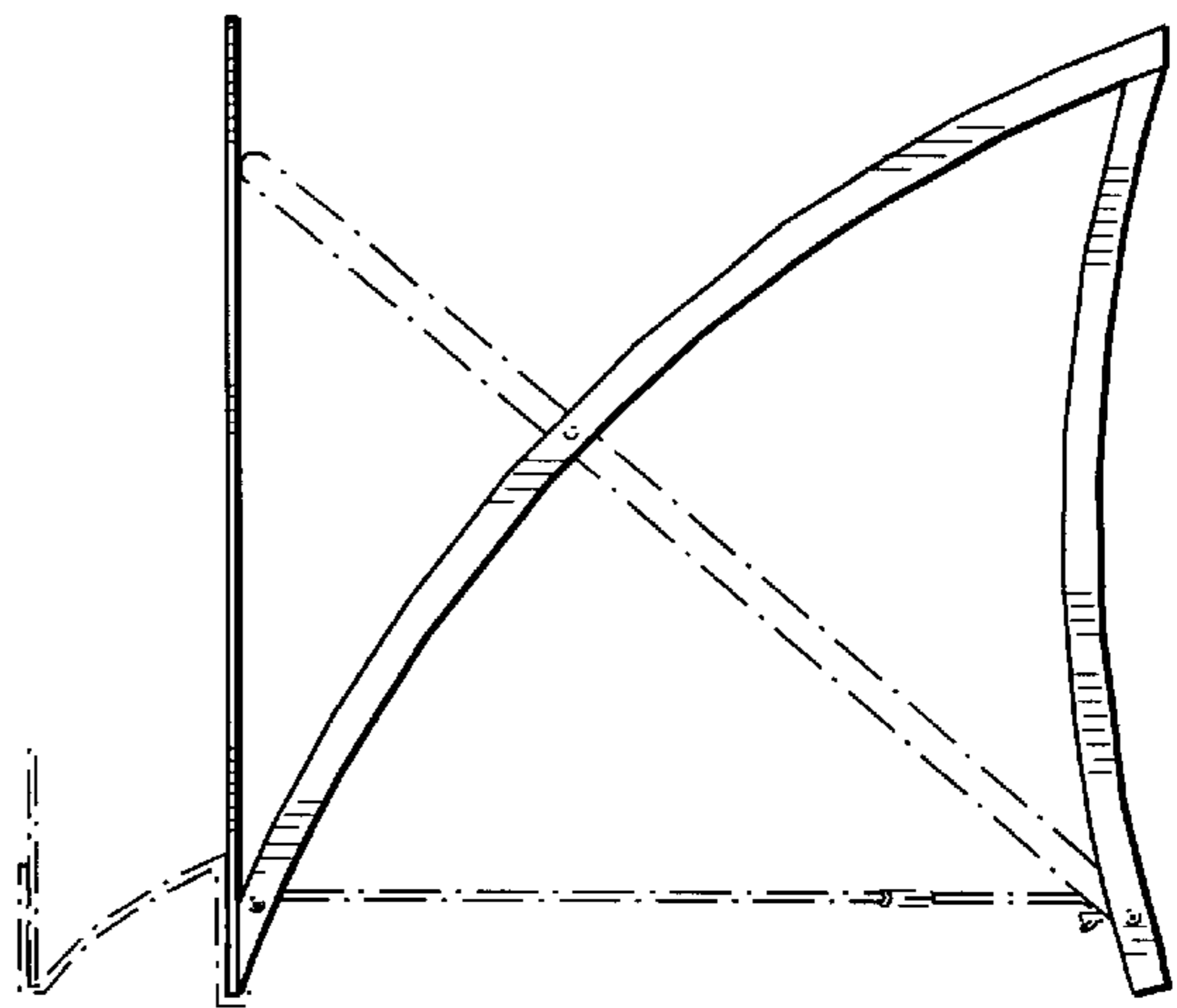
**FIG. 3**



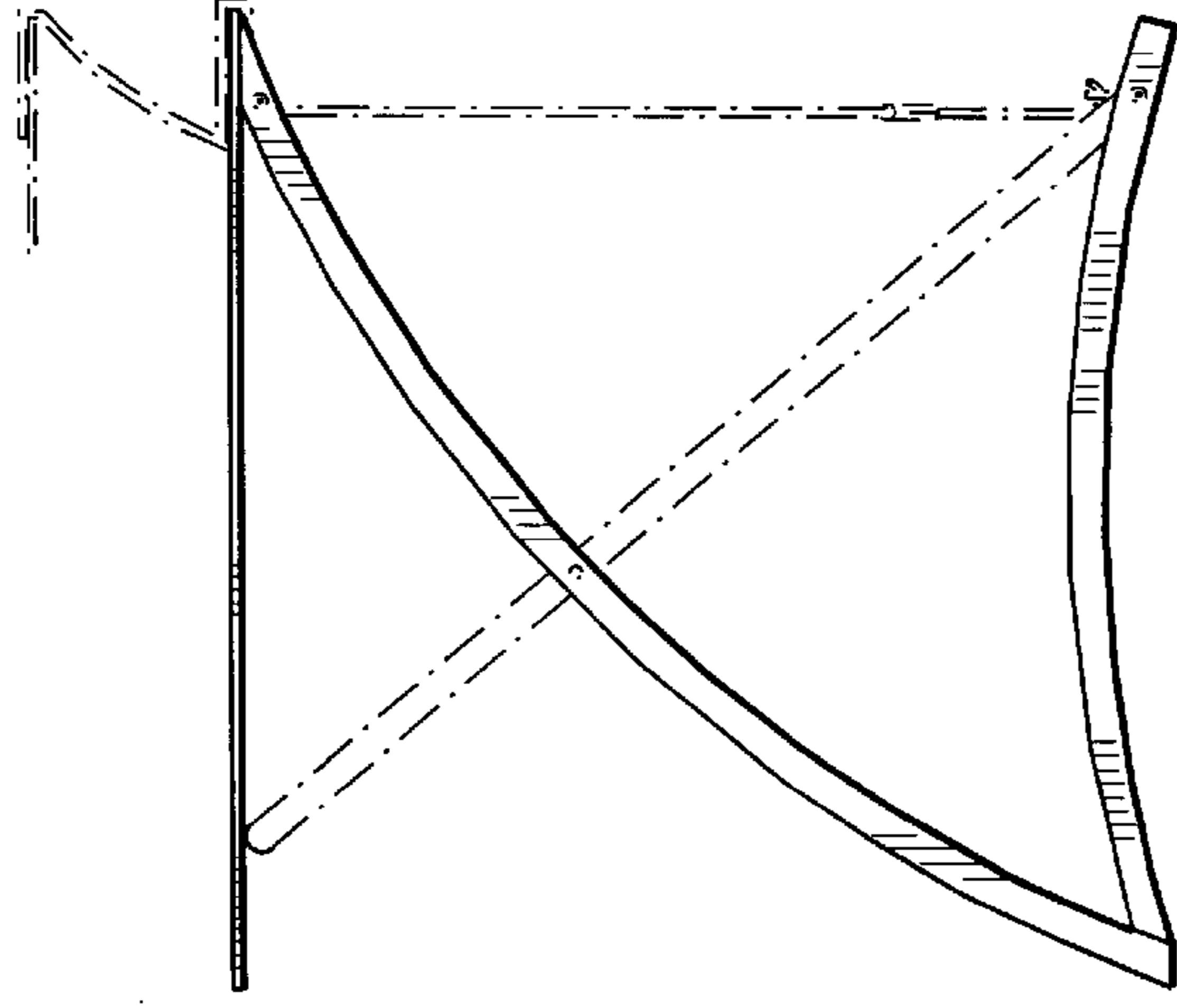
**FIG. 4**



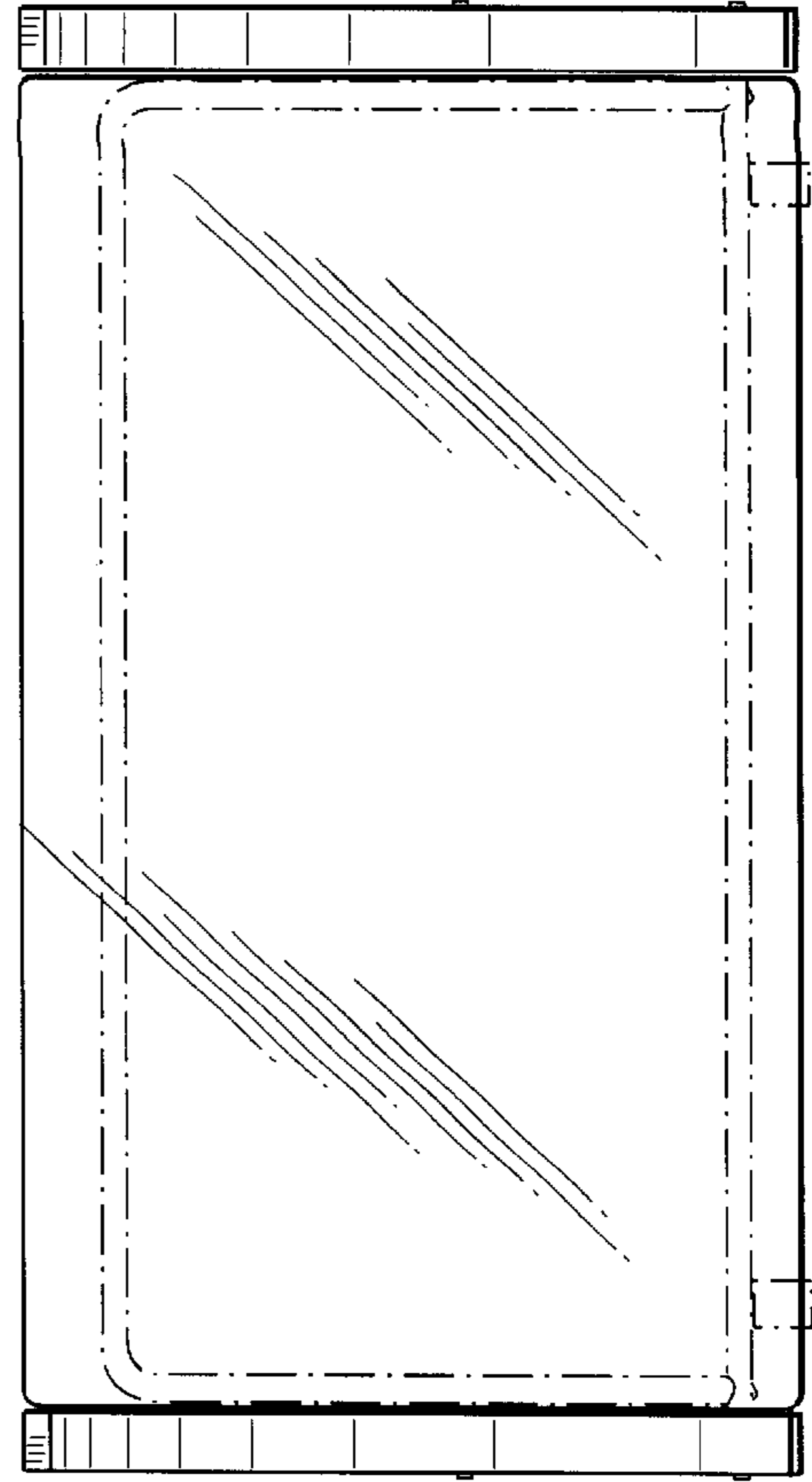
**FIG. 5**



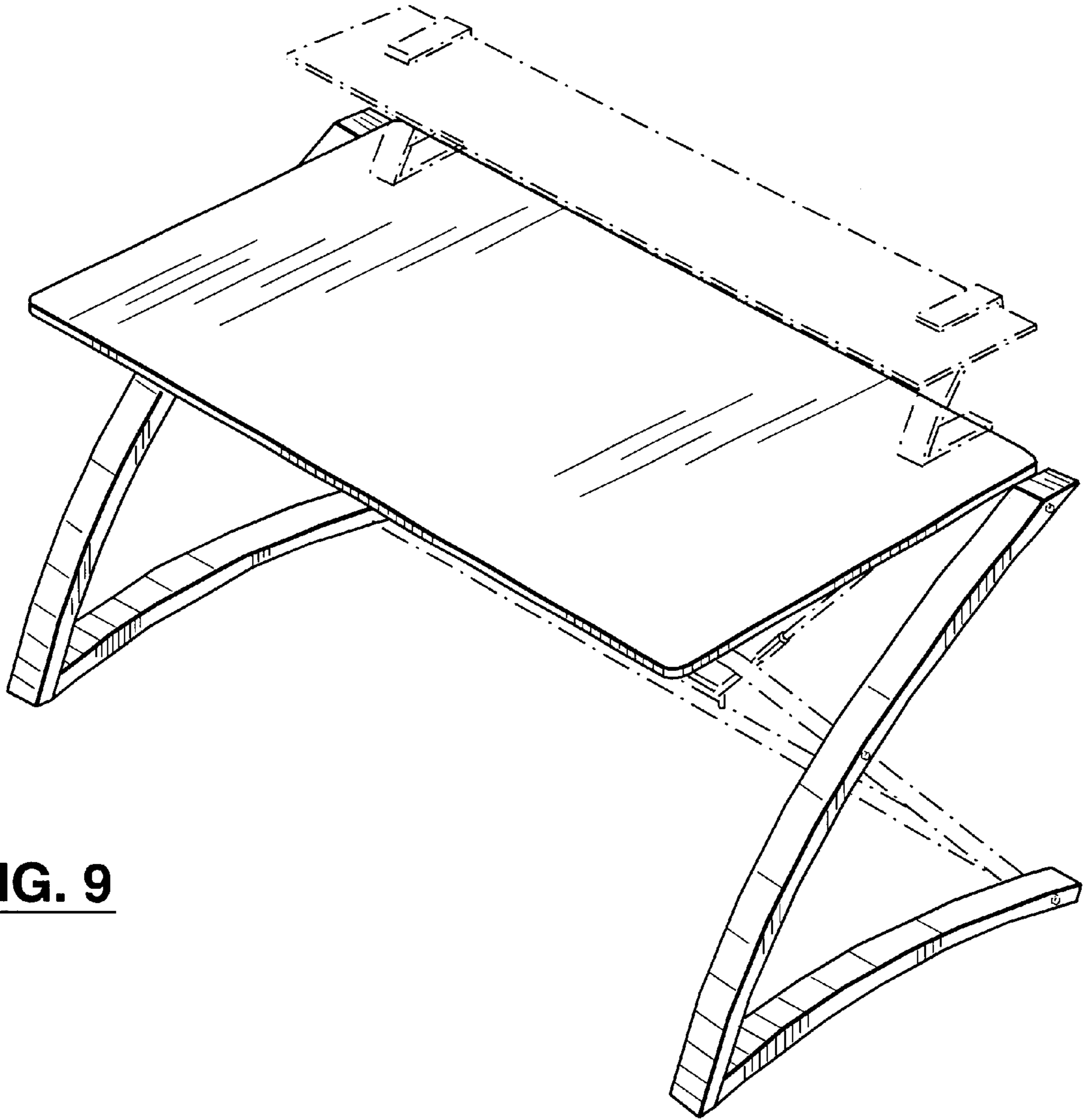
**FIG. 6**



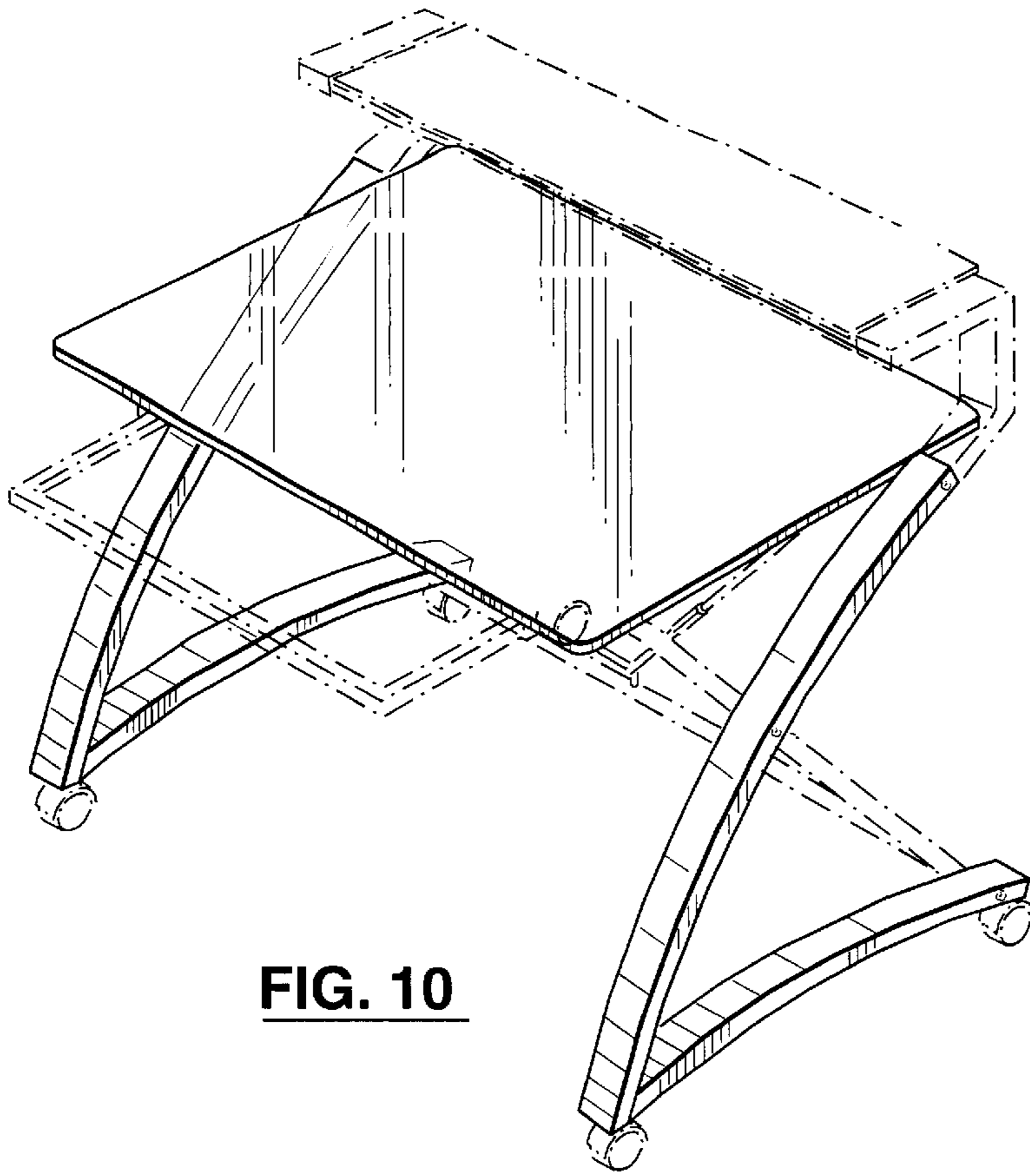
**FIG. 7**



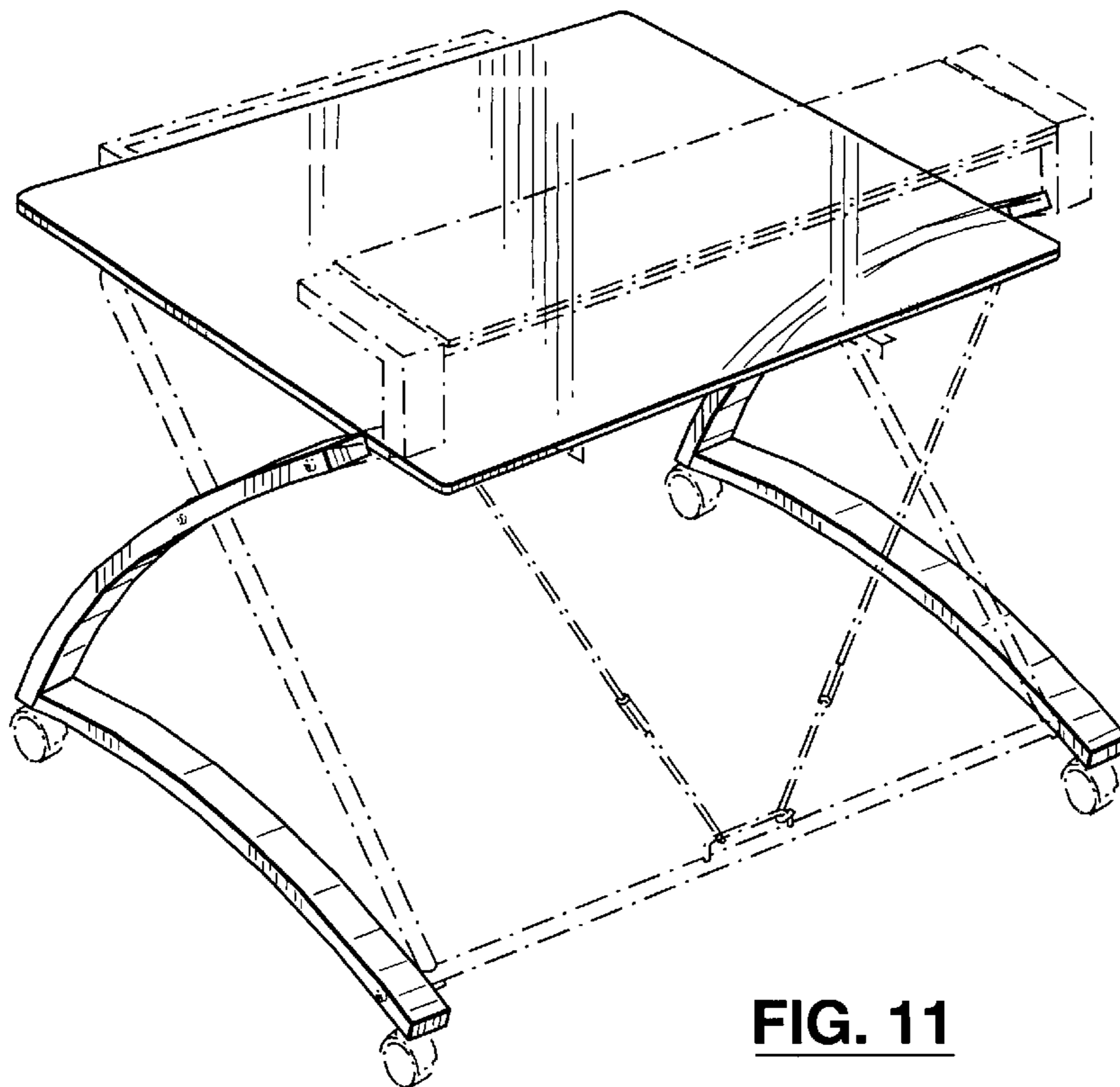
**FIG. 8**



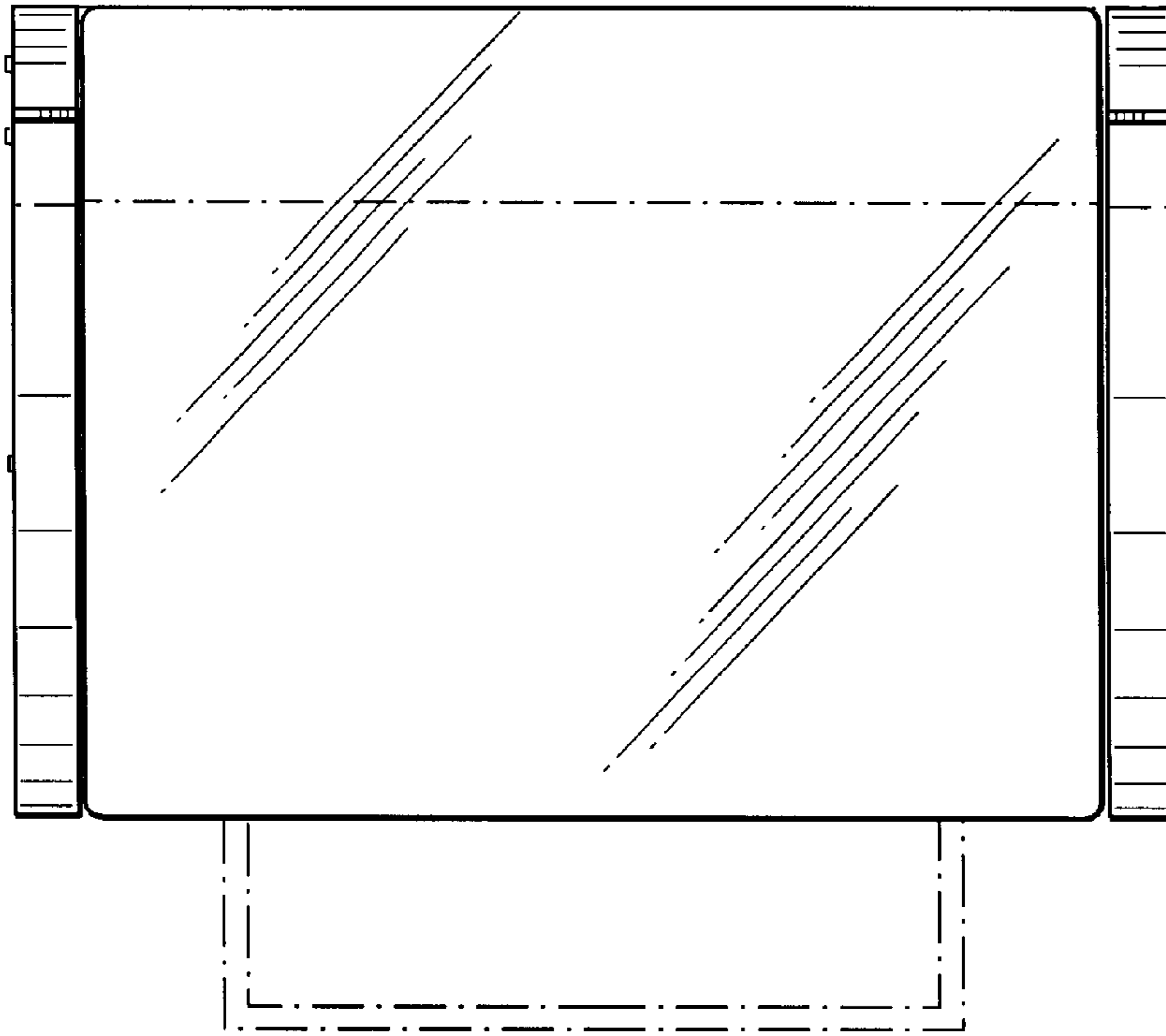
**FIG. 9**



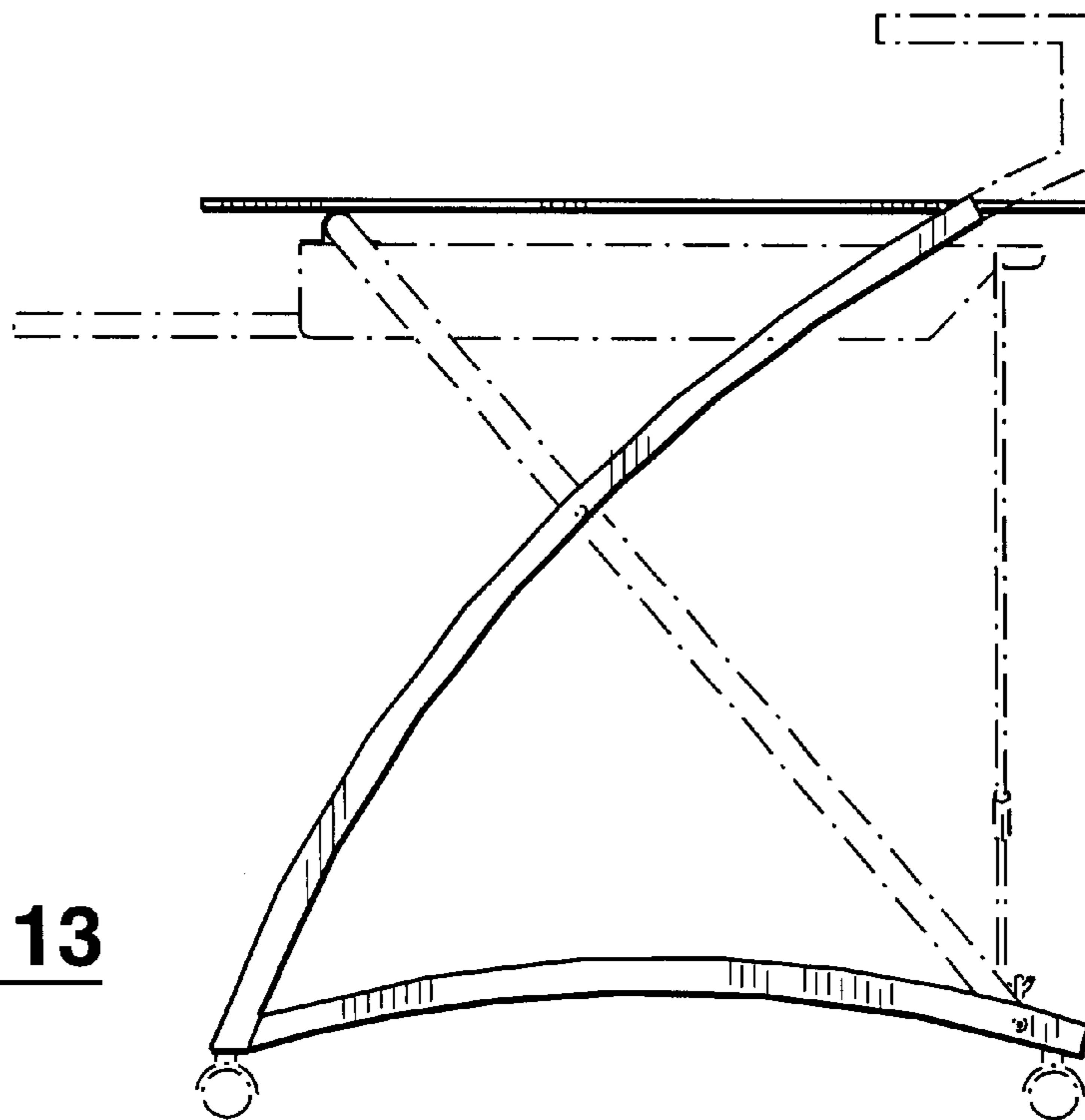
**FIG. 10**



**FIG. 11**



**FIG. 12**



**FIG. 13**