



US00D449466B1

(12) **United States Design Patent**
Tseng

(10) **Patent No.:** **US D449,466 S**

(45) **Date of Patent:** **** Oct. 23, 2001**

- (54) **RACK**
- (75) Inventor: **Chuen-Jong Tseng, Chiayi Hsien (TW)**
- (73) Assignee: **Shin Yeh Enterprise Co., Ltd., Chiayi Hsien (TW)**
- (**) Term: **14 Years**
- (21) Appl. No.: **29/134,234**
- (22) Filed: **Dec. 14, 2000**
- (51) **LOC (7) Cl.** **06-04**
- (52) **U.S. Cl.** **D6/465**
- (58) **Field of Search** D6/449, 462, 465,
D6/436, 464; 211/182, 181, 187

- D. 323,256 * 1/1992 Kee D6/465
- D. 397,888 * 9/1998 Teng D6/464
- D. 407,242 * 3/1999 Tseng D6/464
- D. 423,820 * 5/2000 Walters-Dowding et al. D6/464

* cited by examiner

Primary Examiner—Dominic Simone
(74) *Attorney, Agent, or Firm*—Skjerven Morrill MacPherson LLP; Alan H. MacPherson

(57) **CLAIM**

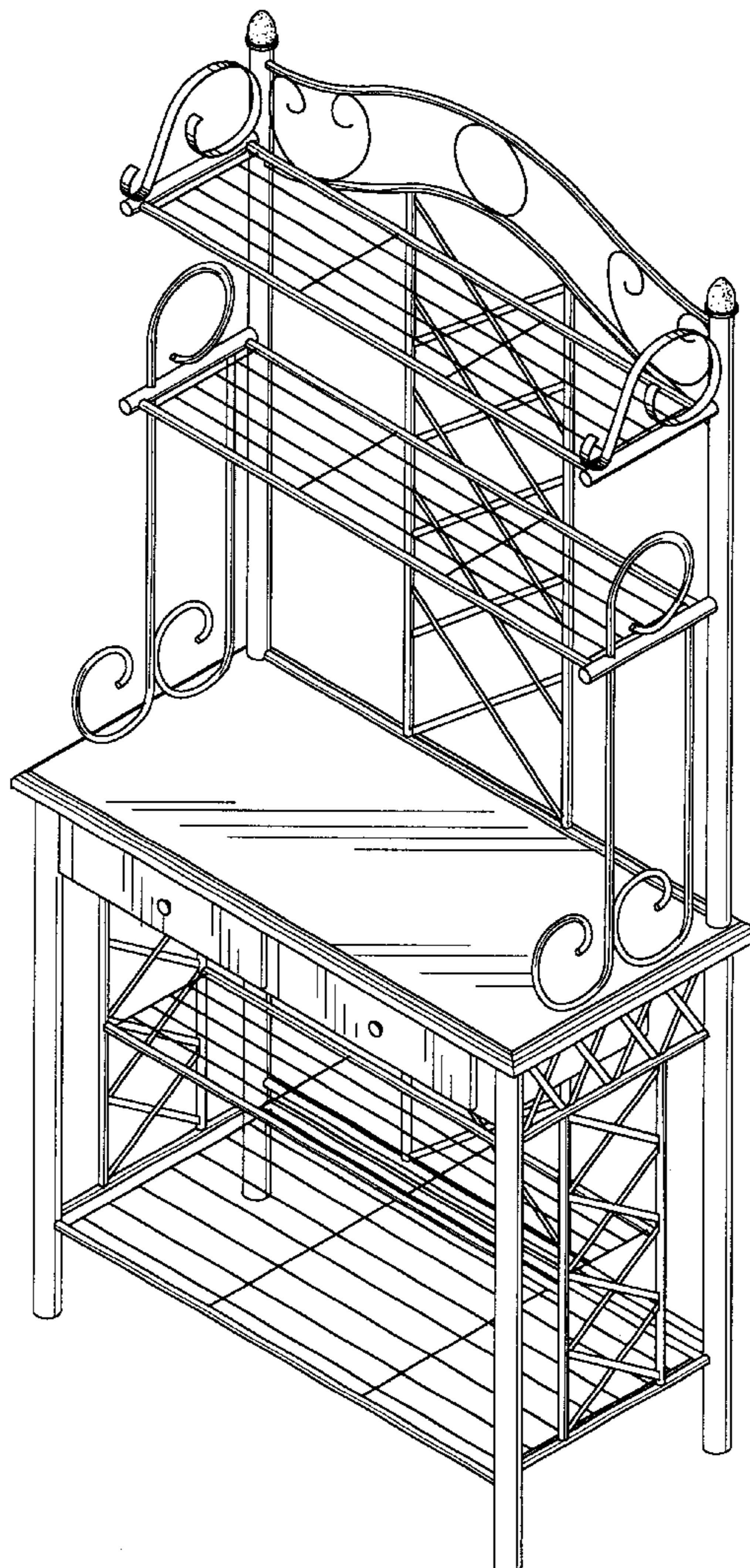
The ornamental design for rack, as shown and described.

DESCRIPTION

FIG. 1 is a perspective view of rack showing my new design; FIG. 2 is a front elevational view thereof; FIG. 3 is a rear elevational view thereof; FIG. 4 is a left side elevational view thereof; FIG. 5 is a right side elevational view thereof; FIG. 6 is a top plan view thereof; and, FIG. 7 is a bottom plan view thereof.

- (56) **References Cited**
- U.S. PATENT DOCUMENTS**
- D. 27,785 * 10/1897 McHugh D6/474
- D. 237,932 * 12/1975 Brundenfeldt D6/465
- D. 244,982 * 7/1977 Parra D6/464

1 Claim, 5 Drawing Sheets



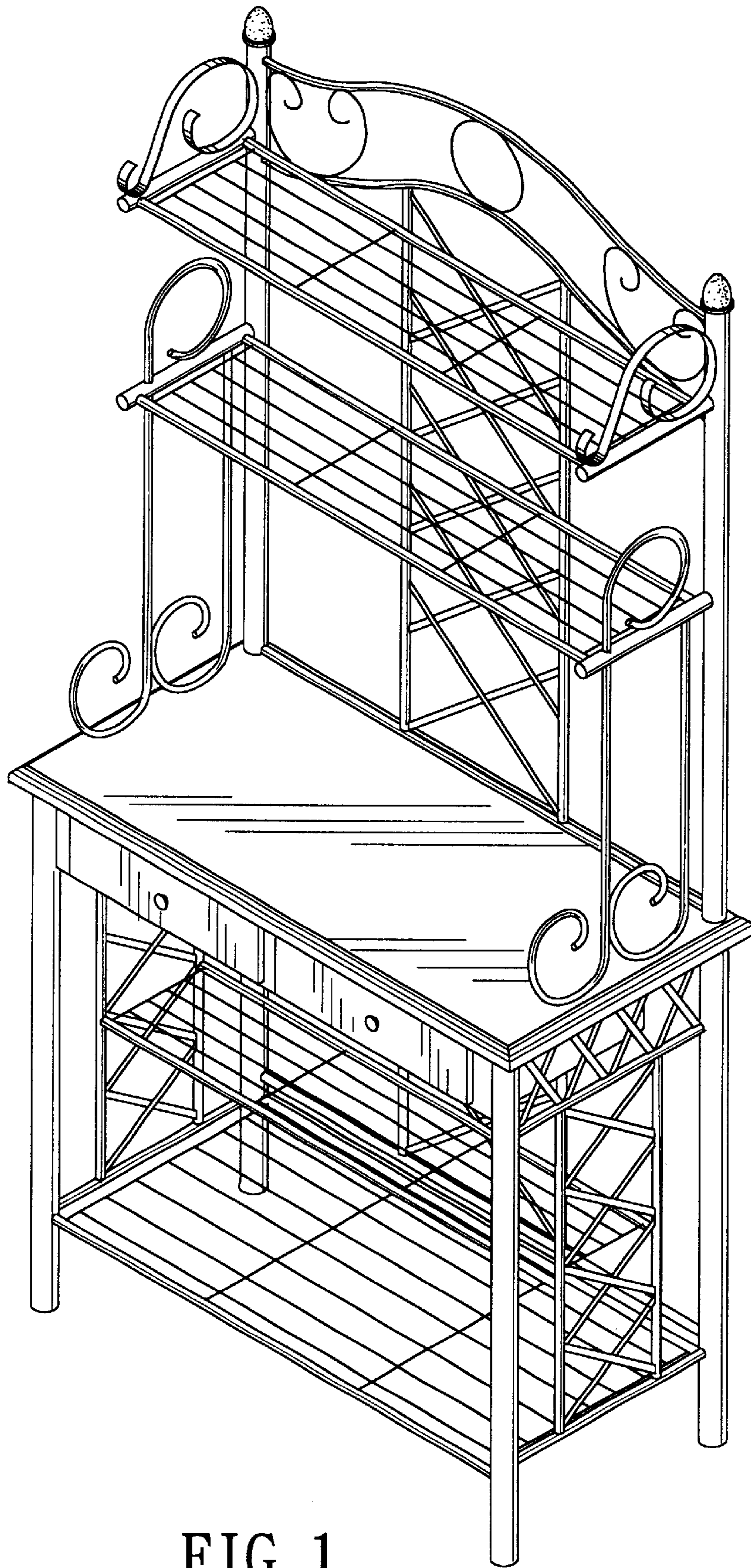


FIG. 1

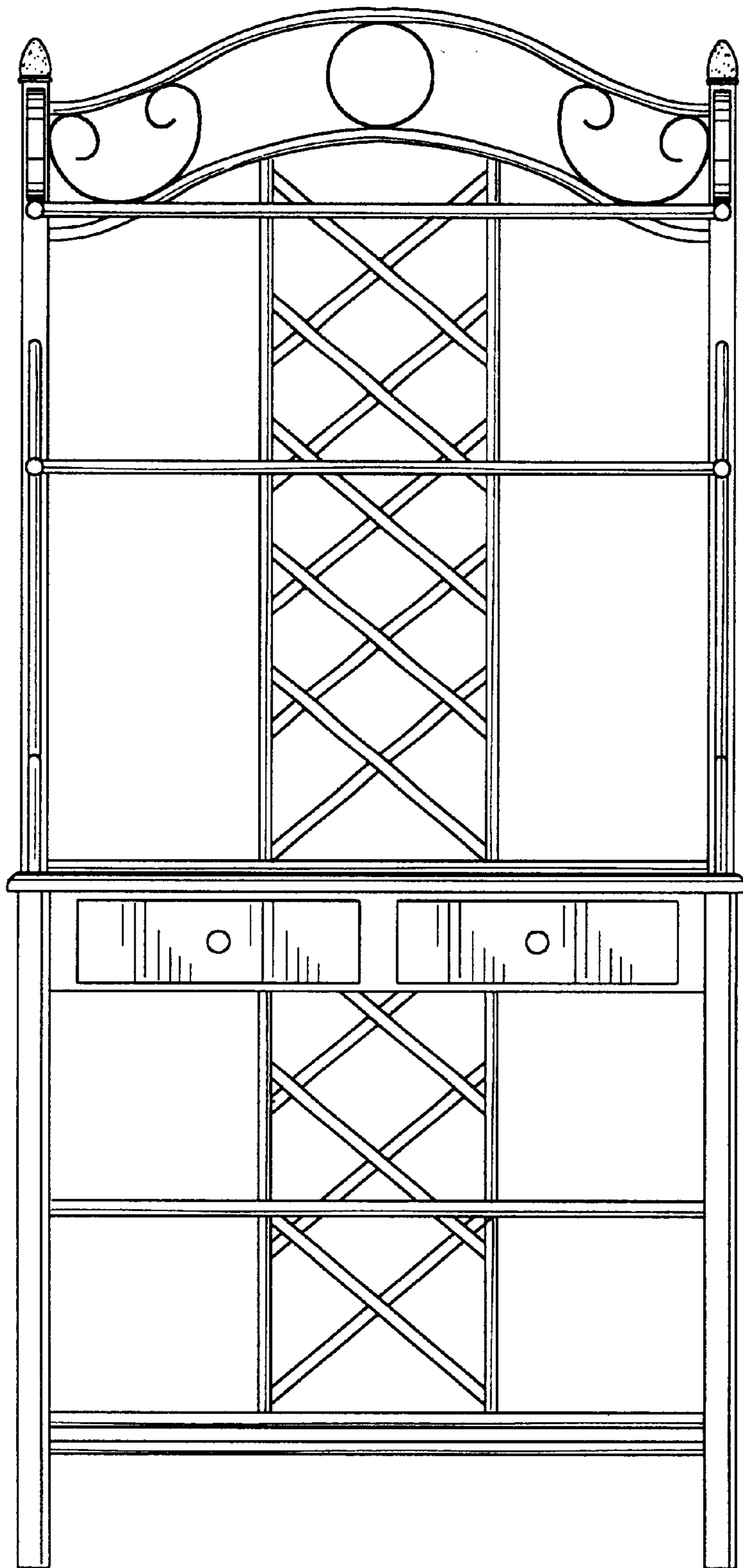


FIG. 2

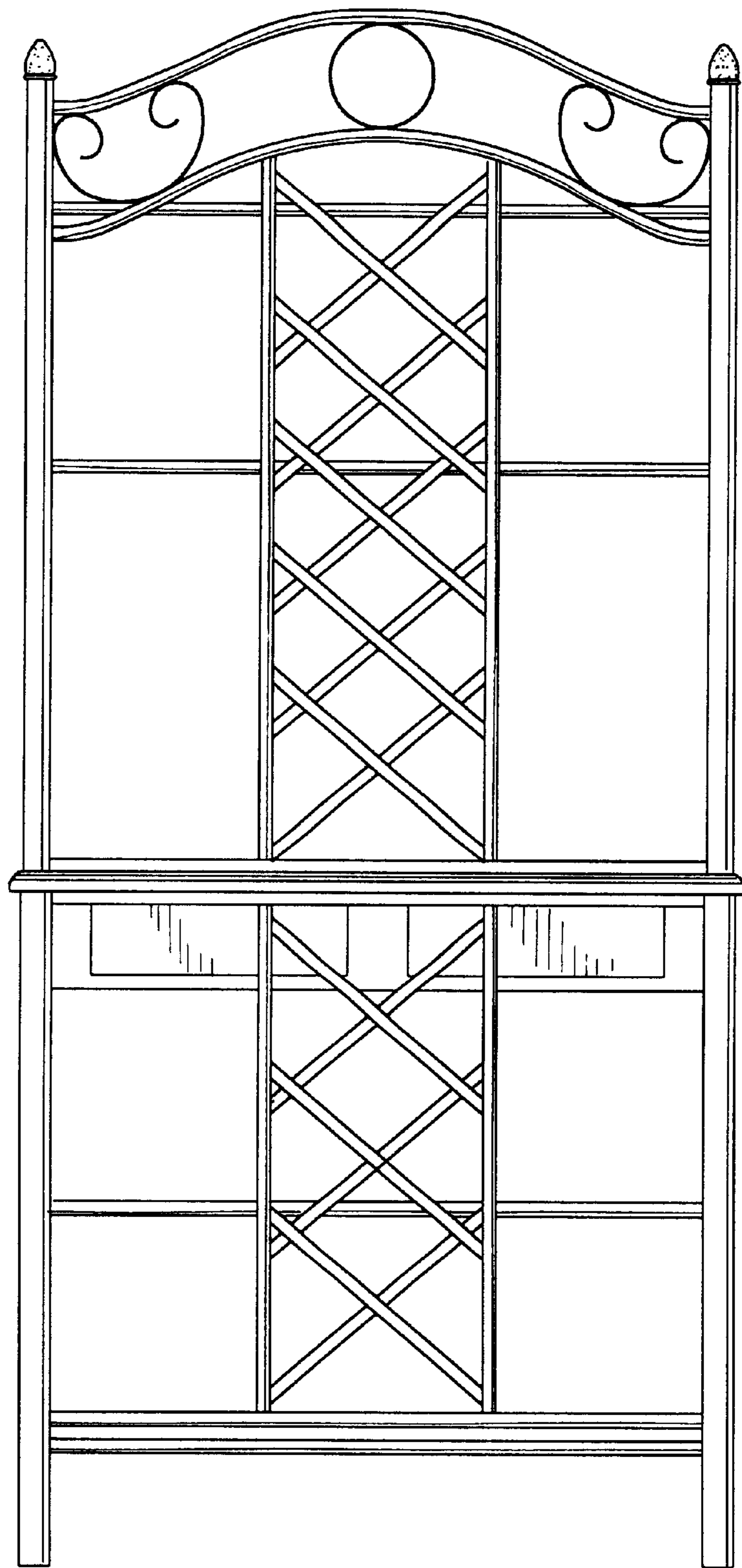


FIG. 3

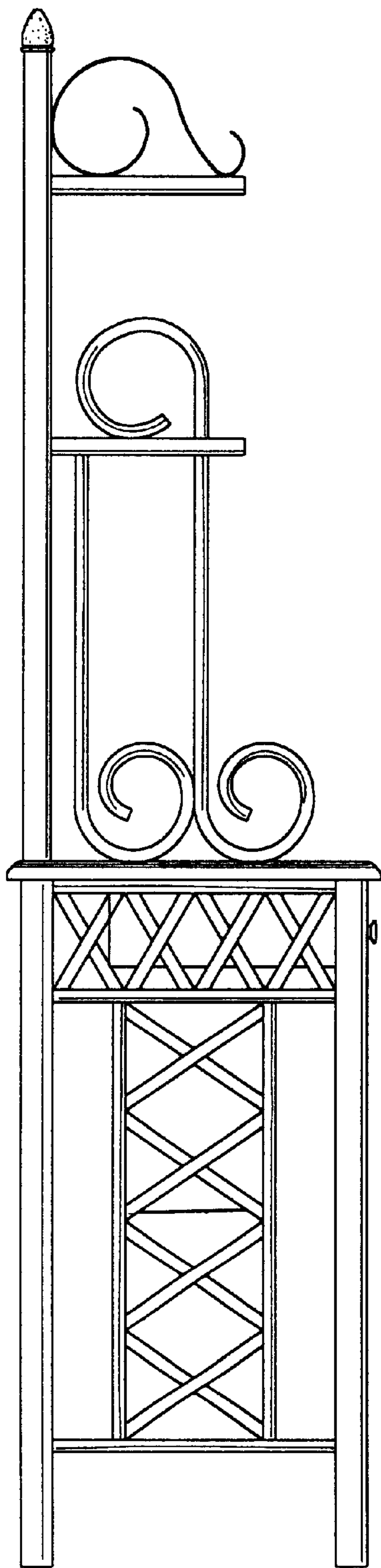


FIG. 4

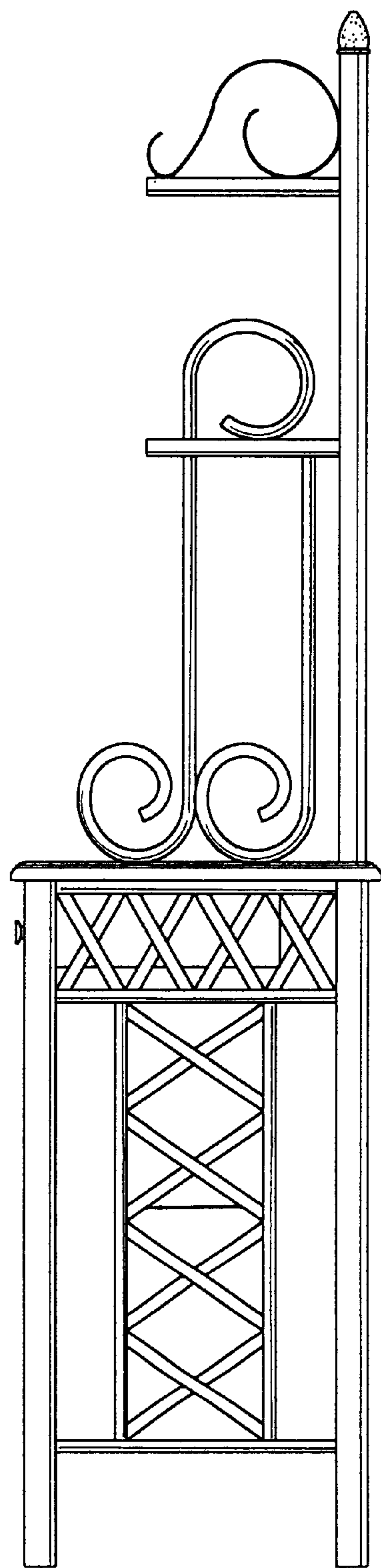


FIG. 5

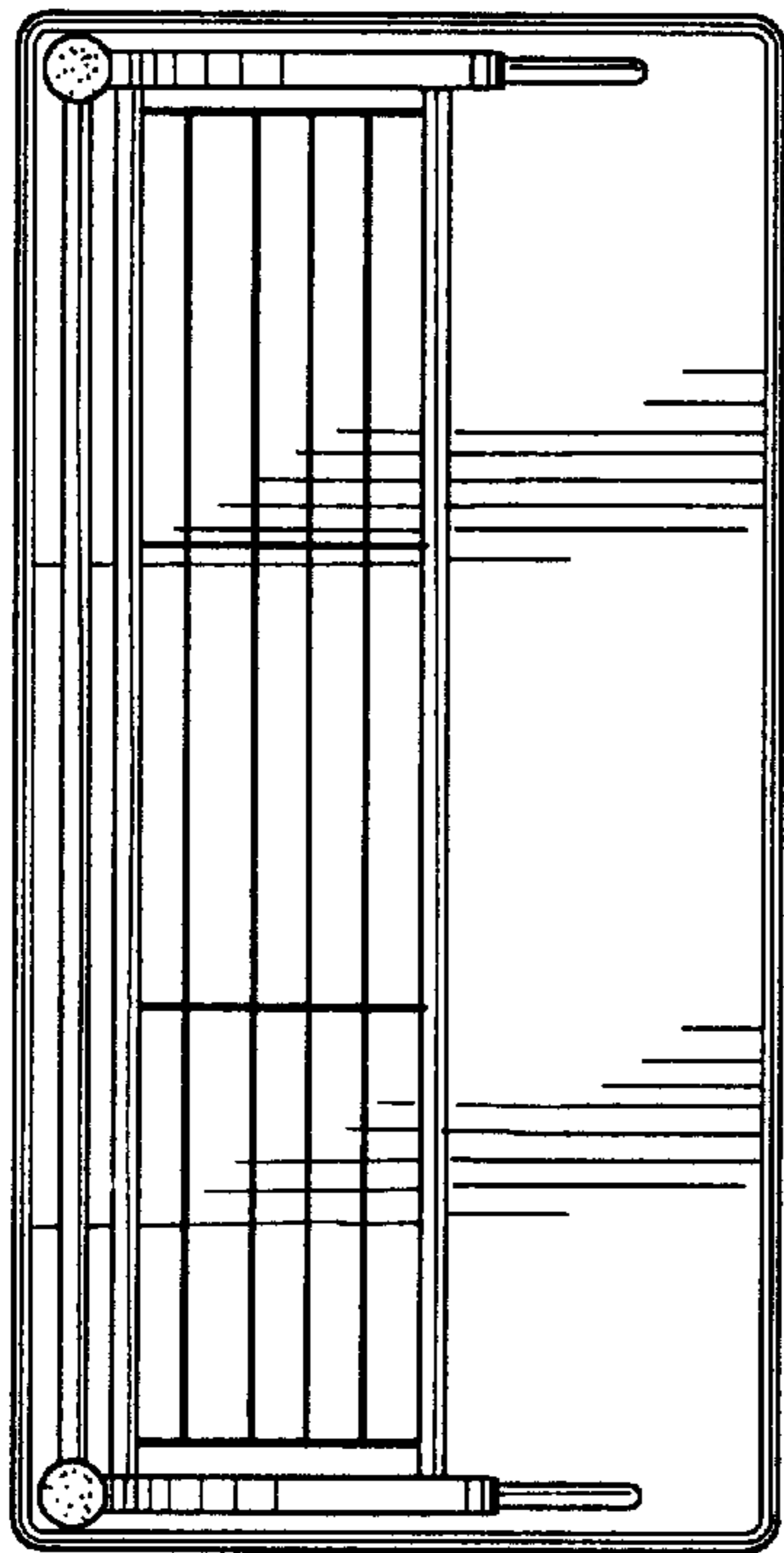


FIG. 6

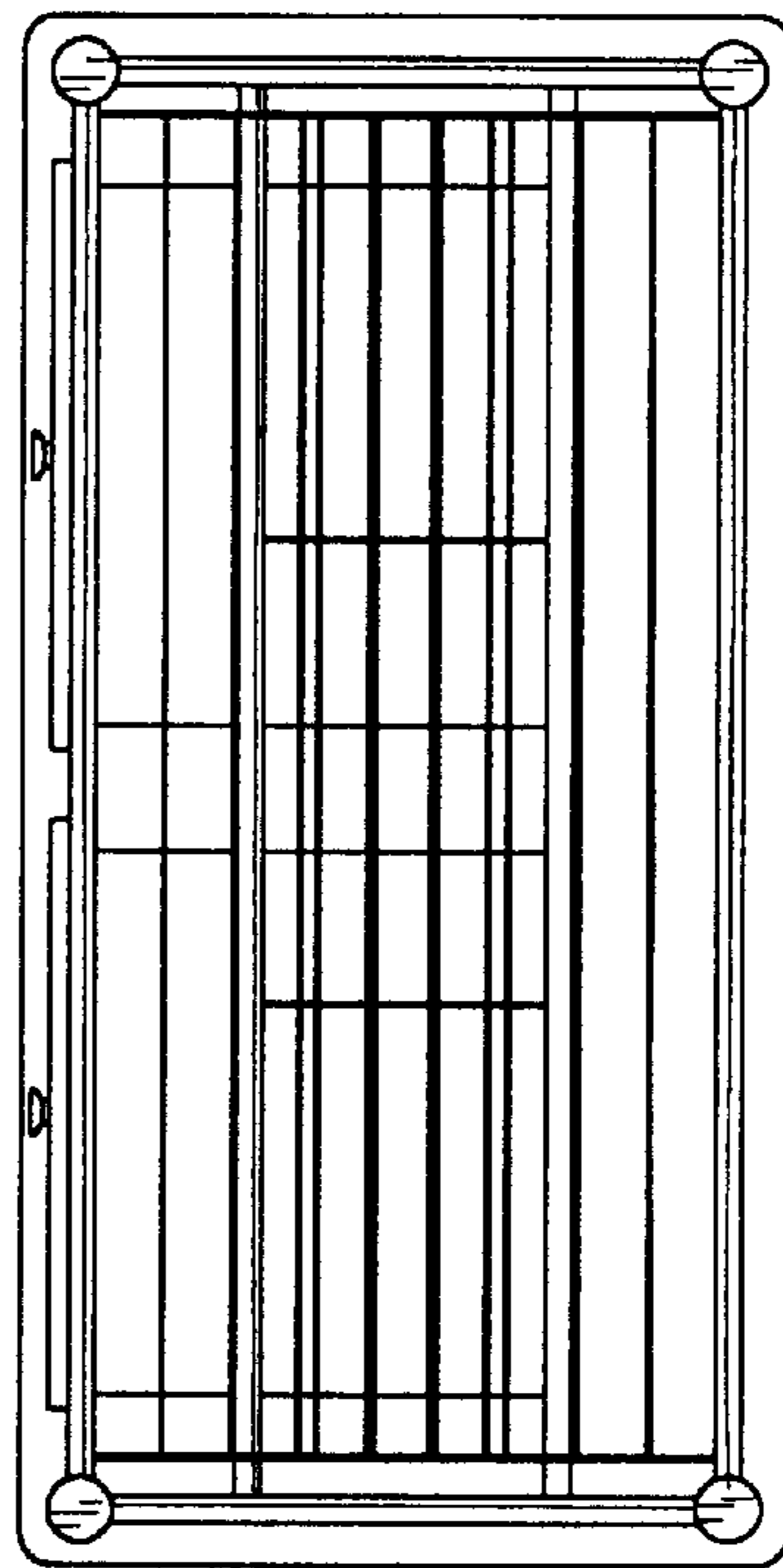


FIG. 7