



US00D449461B2

(12) **United States Design Patent**
Cramer

(10) **Patent No.:** **US D449,461 S**

(45) **Date of Patent:** **** Oct. 23, 2001**

(54) **CHAIR**

(75) Inventor: **Daniel E. Cramer**, Golden Valley, MN
(US)

(73) Assignee: **HON Technology Inc.**, Muscatine, IA
(US)

(**) Term: **14 Years**

(21) Appl. No.: **29/138,443**

(22) Filed: **Mar. 13, 2001**

Related U.S. Application Data

(62) Division of application No. 29/105,813, filed on Jun. 3, 1999, now Pat. No. Des. 441,976.

(51) **LOC (7) Cl.** **06-01**

(52) **U.S. Cl.** **D6/379**

(58) **Field of Search** D6/334, 374, 375,
D6/376, 379, 380, 500, 501, 502; 297/445.1,
446.1

(56) **References Cited**

U.S. PATENT DOCUMENTS

D. 223,569 * 5/1972 Grosfillex D6/376

D. 395,177 * 6/1998 Dammerman et al. D6/380
D. 410,802 * 6/1999 Olson D6/379
D. 417,970 * 12/1999 Duffey et al. D6/379
D. 426,396 * 6/2000 Gaylord et al. D6/376
D. 426,975 * 6/2000 Gaylord et al. D6/376
D. 441,976 * 5/2001 Cramer D6/380

* cited by examiner

Primary Examiner—Gary D. Watson

(74) *Attorney, Agent, or Firm*—Jones, Day, Reavis & Pogue

(57) **CLAIM**

The ornamental design for a chair, as shown and described.

DESCRIPTION

FIG. 1 is a left, front perspective view of a chair showing the design;

FIG. 2 is a left, rear perspective view thereof;

FIG. 3 is a right side view, the opposite side view being a mirror image thereof;

FIG. 4 is a front view thereof;

FIG. 5 is a top view thereof; and,

FIG. 6 is a rear view thereof.

The broken line showing is for environmental purposes only and does not form a part of the design.

1 Claim, 2 Drawing Sheets

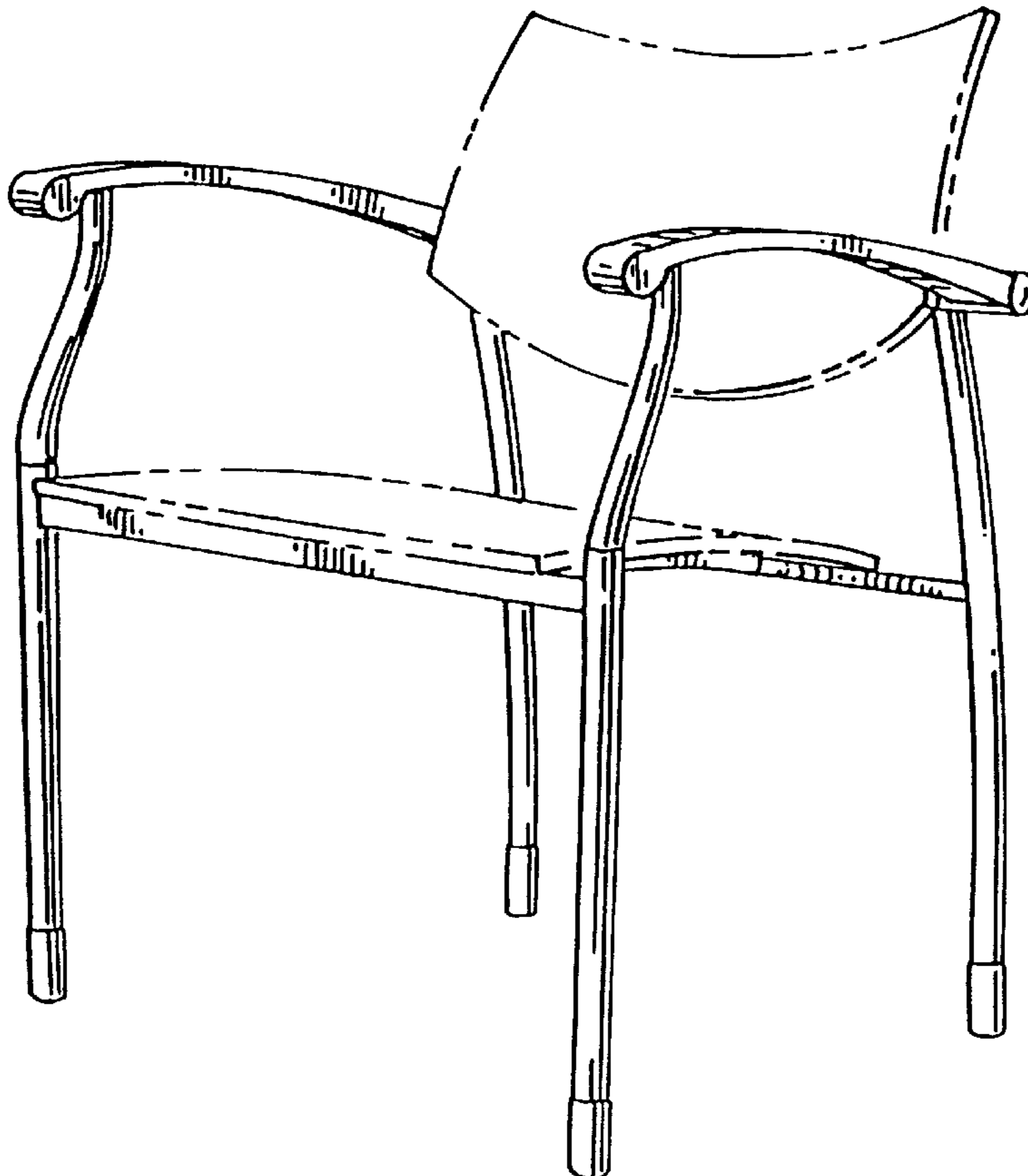


FIG. 1

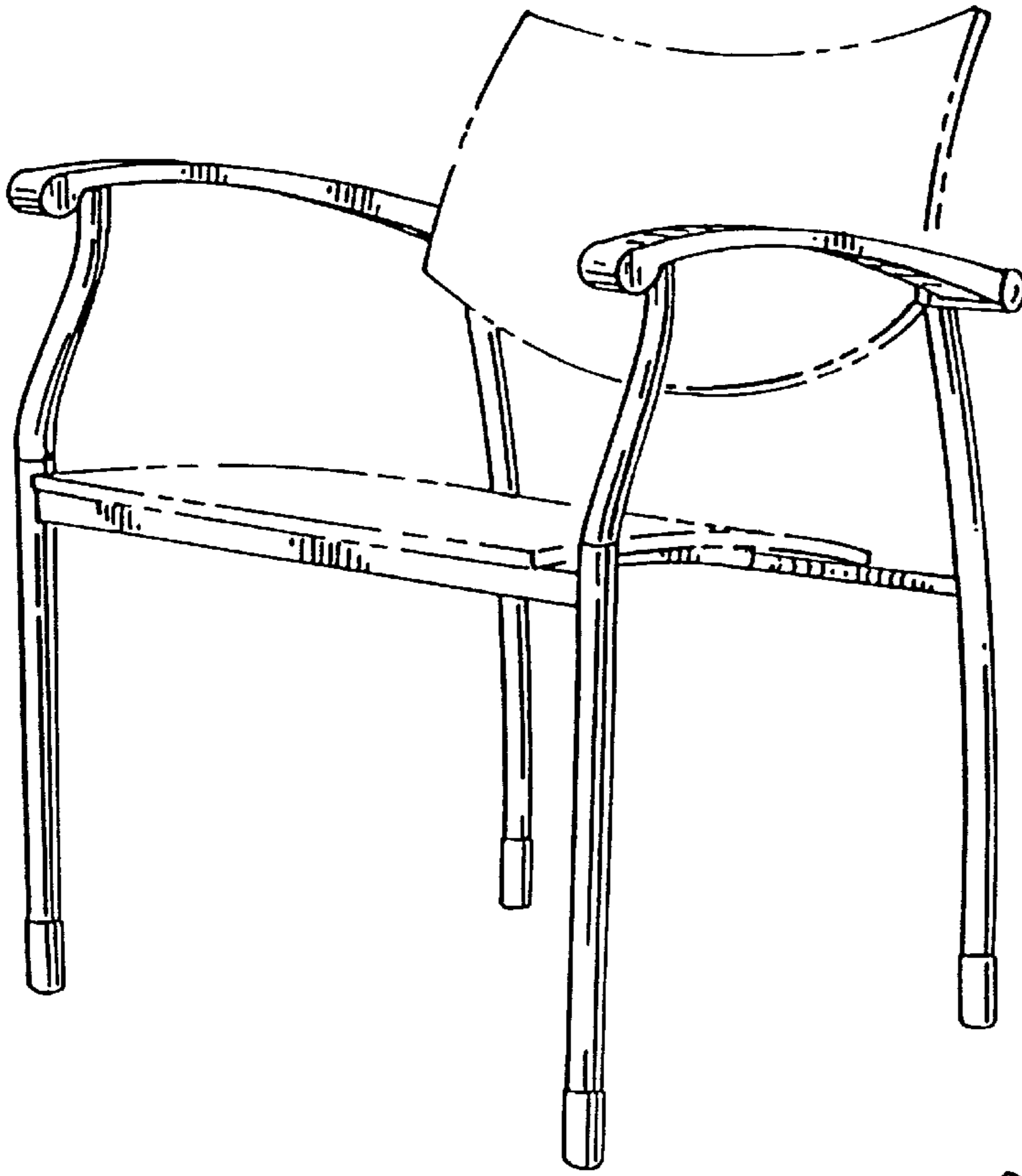


FIG. 2

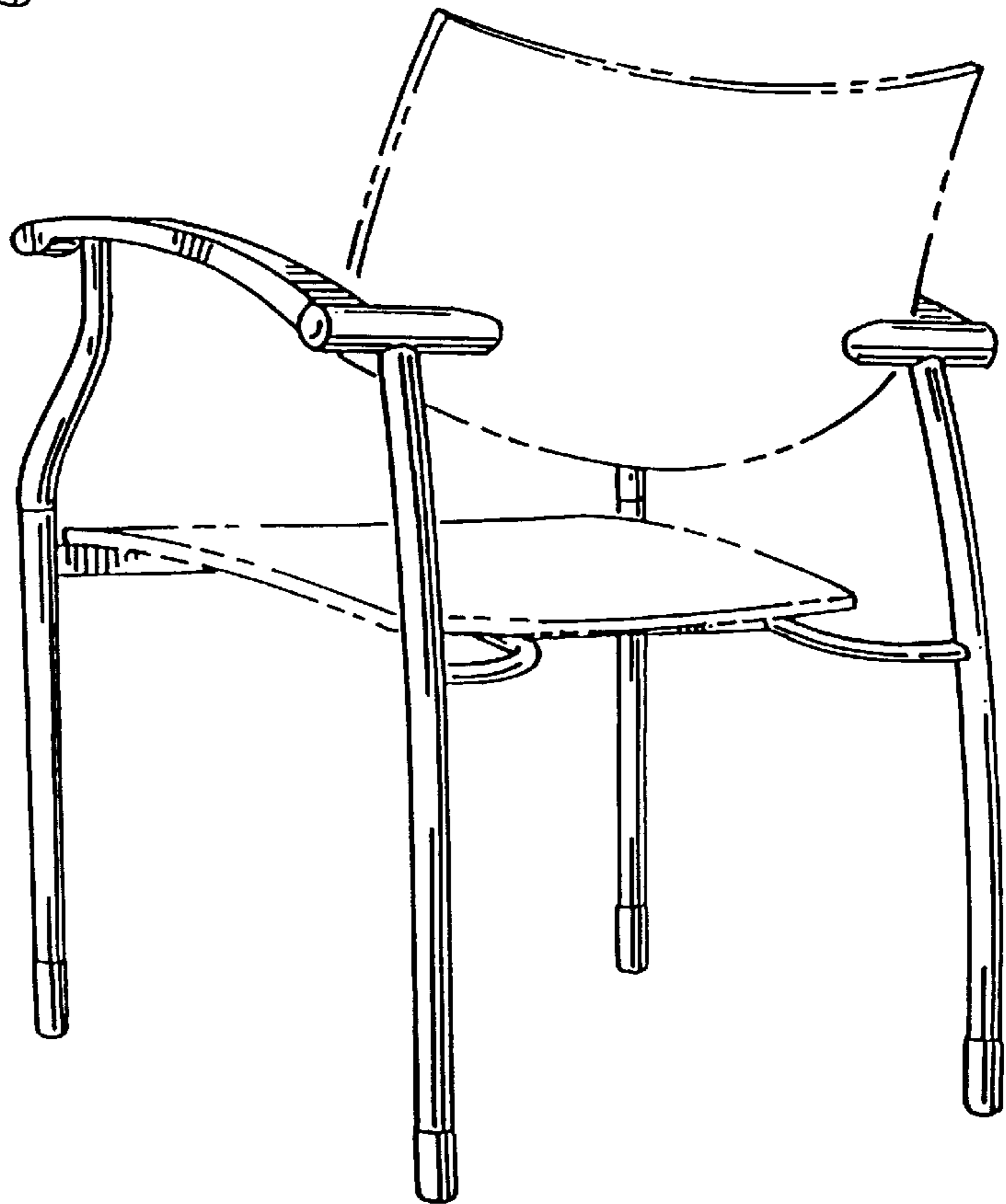


FIG. 3

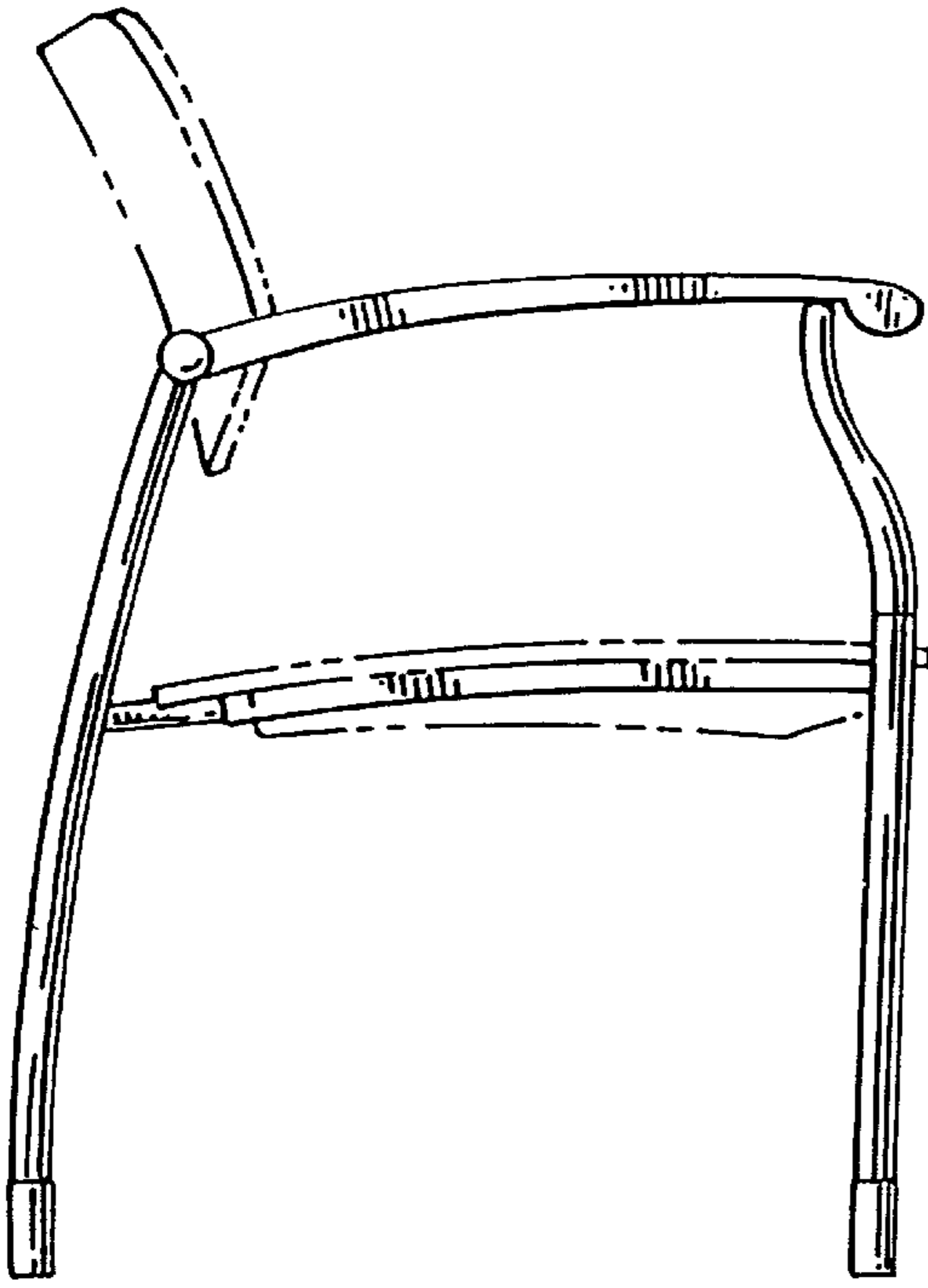


FIG. 4

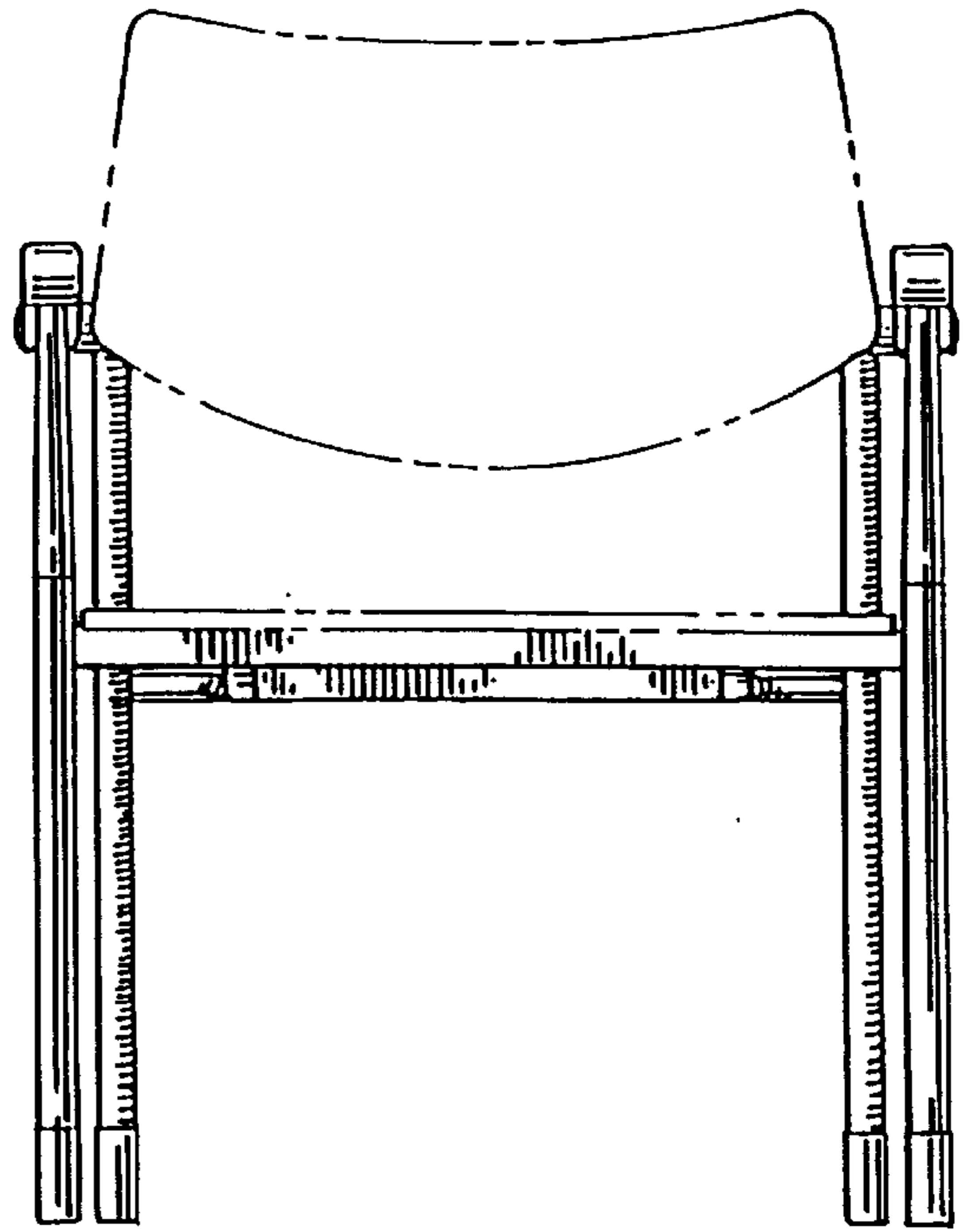


FIG. 5

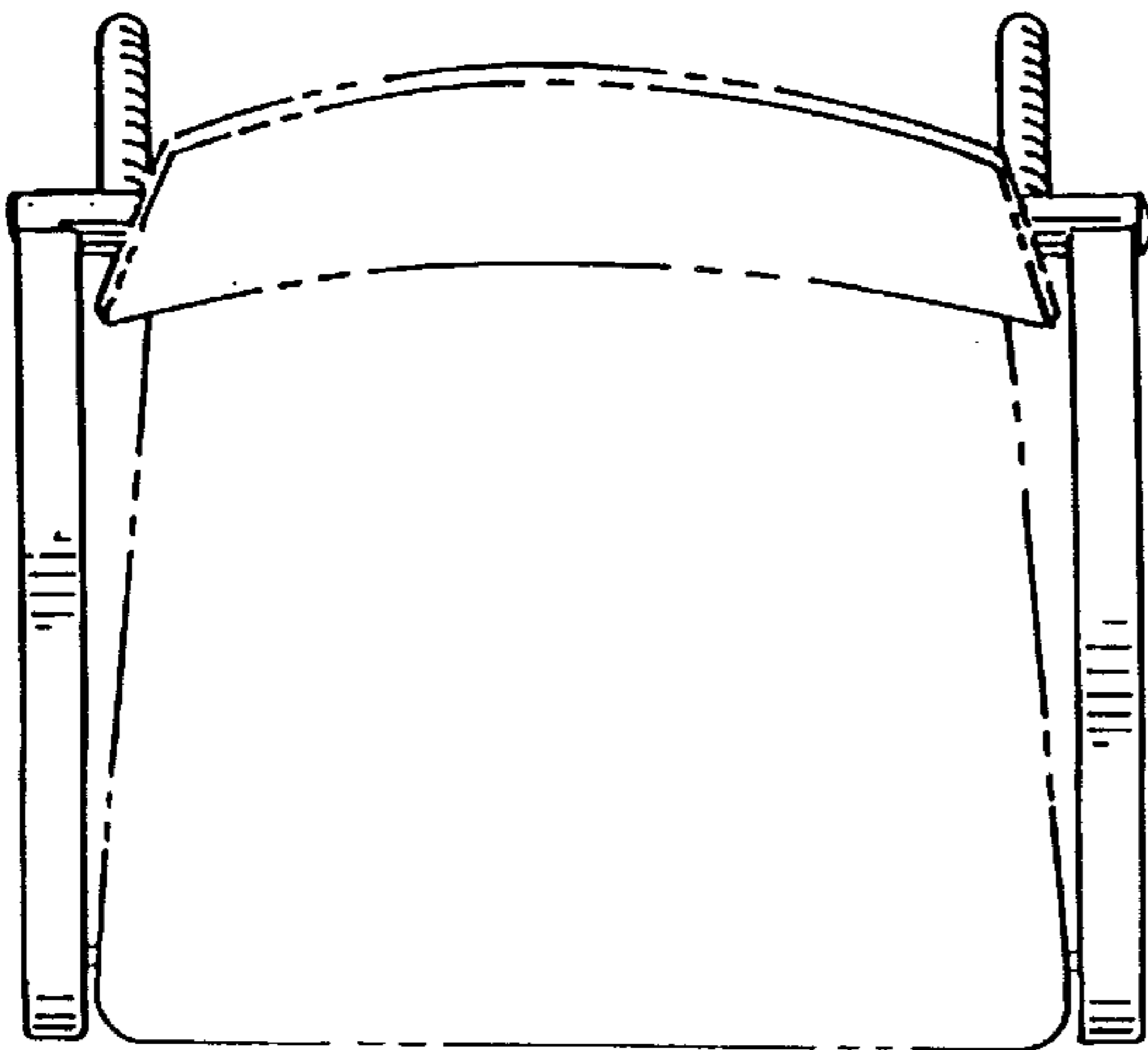


FIG. 6

