



US00D449458B1

(12) **United States Design Patent**  
**Malmanger et al.**

(10) **Patent No.:** **US D449,458 S**

(45) **Date of Patent:** **\*\* Oct. 23, 2001**

(54) **FOLDABLE SEAT**

(75) Inventors: **John A. Malmanger**, Seattle, WA (US);  
**Mikal B. Greaves**, Mountain View, CA (US)

(73) Assignee: **Tempress Products, LLC**, Carrollton, TX (US)

(\*\*) Term: **14 Years**

(21) Appl. No.: **29/132,166**

(22) Filed: **Nov. 3, 2000**

(51) **LOC (7) Cl.** ..... **06-01**

(52) **U.S. Cl.** ..... **D6/368**

(58) **Field of Search** ..... D6/334, 356, 367,  
D6/368, 374, 376, 380, 500-502; 297/378.1,  
378.12, 378.14, 440.22, 452.18, 452.55,  
17, 350, 352, DIG. 2

(56) **References Cited**

**U.S. PATENT DOCUMENTS**

D. 303,878	*	10/1989	Goldsmith	.....	D6/368
D. 355,779	*	2/1995	Tribelsky	.....	D6/368
D. 398,172	*	9/1998	Greaves et al.	.....	D6/500
D. 407,570	*	4/1999	Frauenberger	.....	D6/368
4,775,187	*	10/1988	Herr	.....	297/378.14
5,018,788	*	5/1991	Cedergreen	.....	297/378.1
5,460,426	*	10/1995	Tribelsky et al.	.....	297/378.1
5,820,221	*	10/1998	Greaves et al.	.....	297/378.14
6,164,724		12/2000	Greaves	.....	297/378.14

\* cited by examiner

*Primary Examiner*—Doris V. Coles

*Assistant Examiner*—Mimosa De

(74) *Attorney, Agent, or Firm*—Fulbright & Jaworski LLP

(57) **CLAIM**

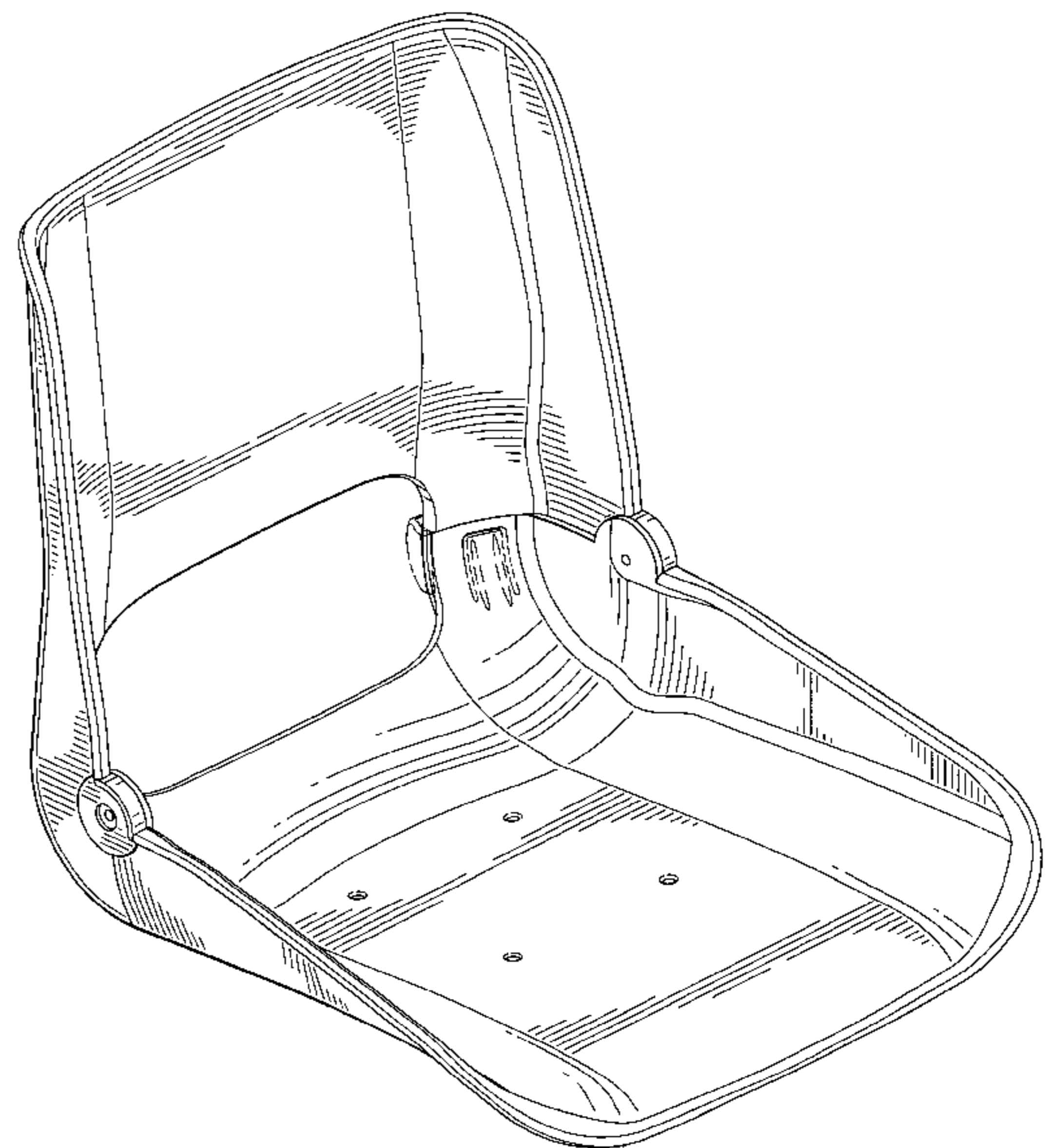
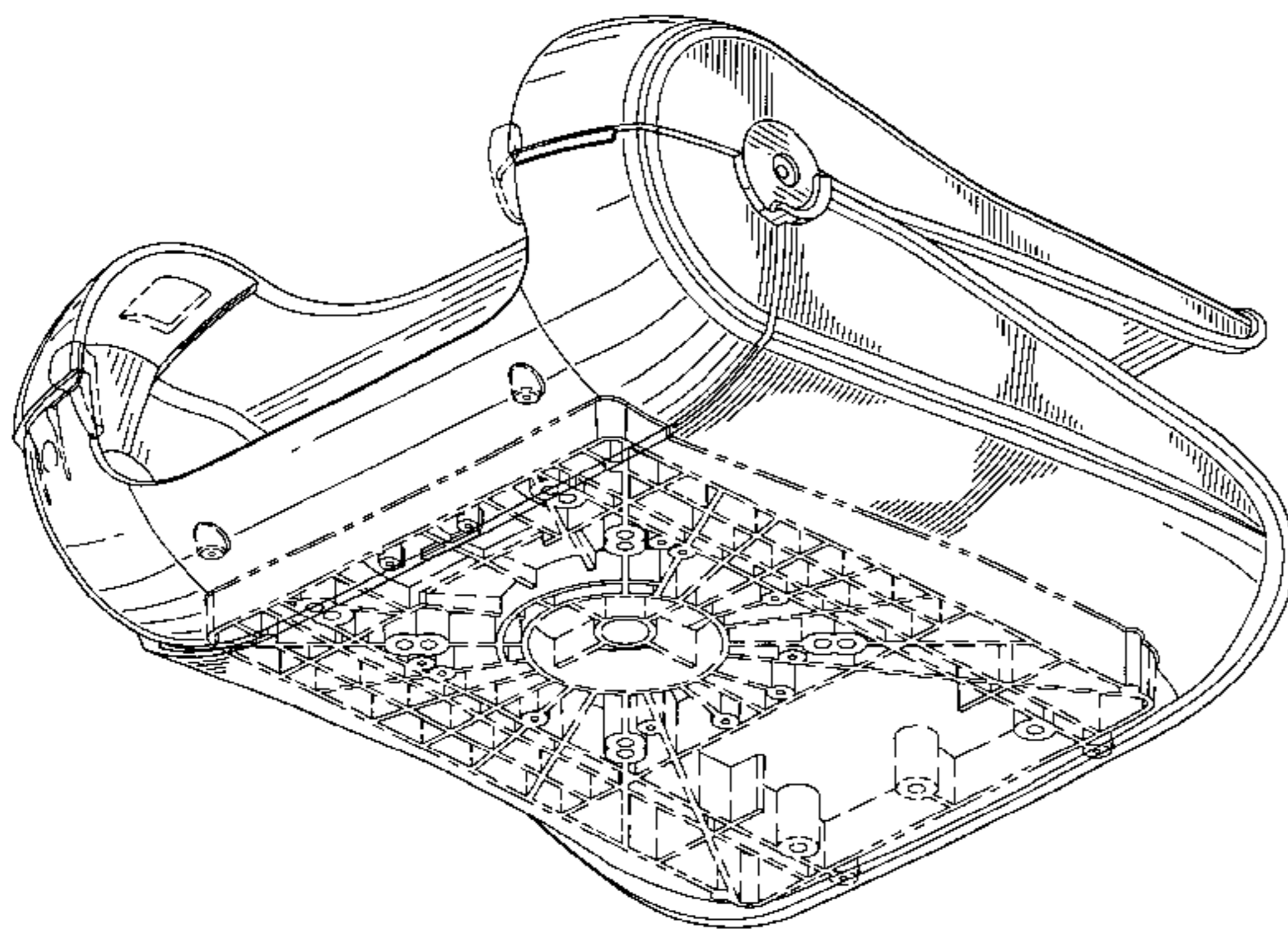
The ornamental design for a foldable seat, as shown and described.

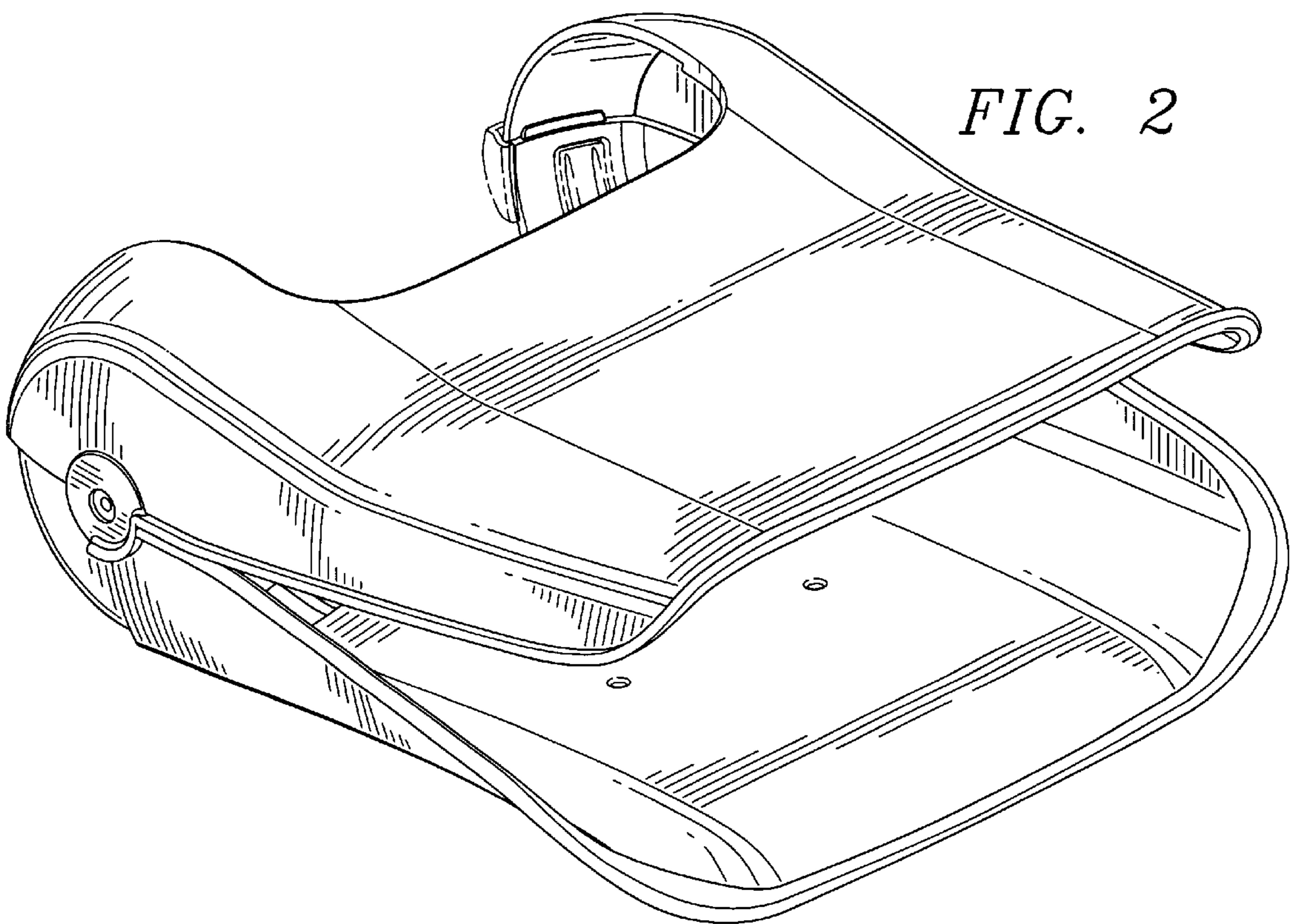
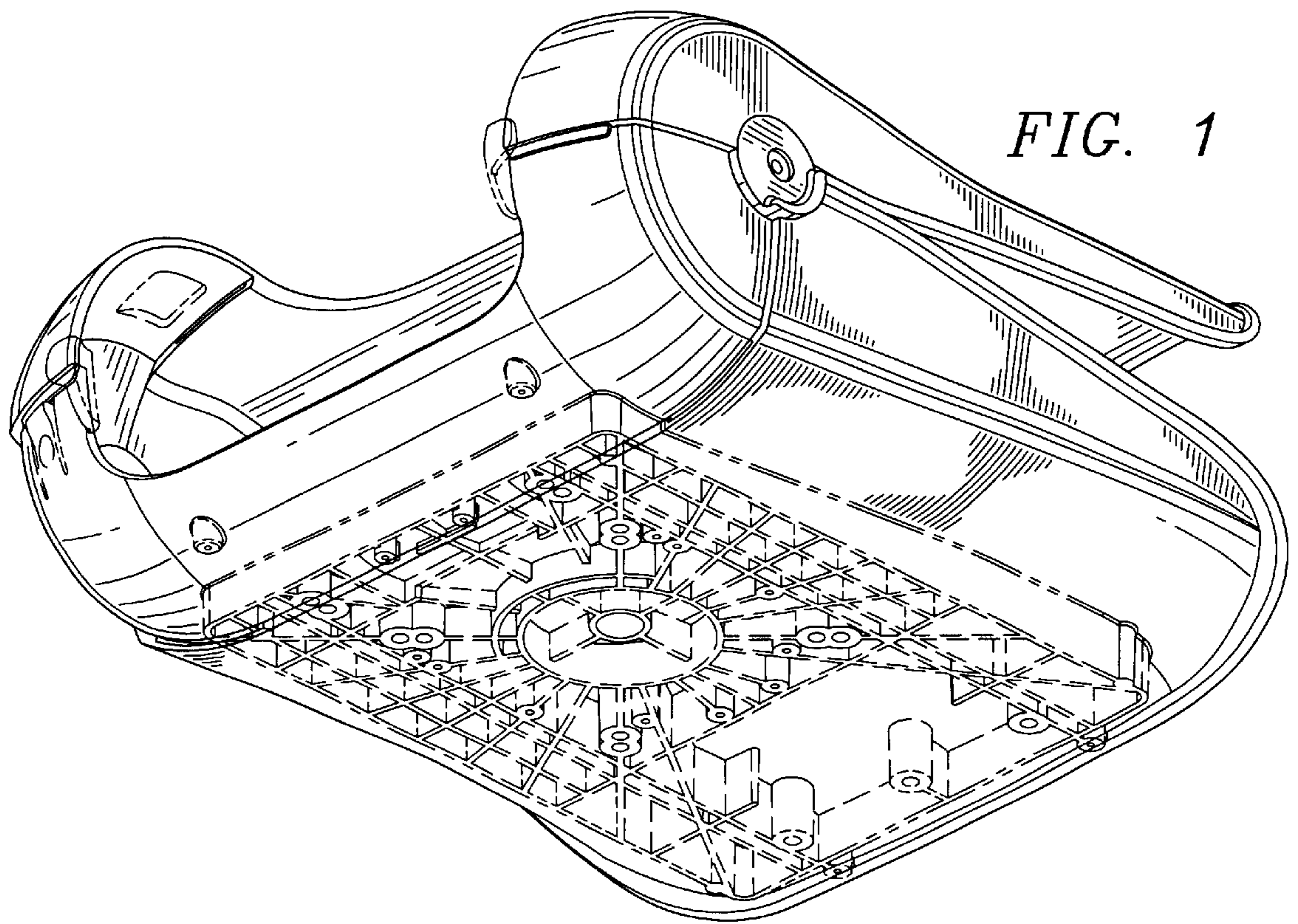
**DESCRIPTION**

FIG. 1 is a bottom perspective view of a foldable seat showing my new design in a folded position;  
 FIG. 2 is a top perspective view thereof;  
 FIG. 3 is a front elevational view thereof;  
 FIG. 4 is a right side elevational view thereof;  
 FIG. 5 is a rear elevational view thereof;  
 FIG. 6 is a left side elevational view thereof;  
 FIG. 7 is a bottom plan view thereof;  
 FIG. 8 is a top plan view thereof;  
 FIG. 9 is a bottom perspective view in an open position;  
 FIG. 10 is a front perspective view of FIG. 9;  
 FIG. 11 is a front elevational view of FIG. 9;  
 FIG. 12 is a right side elevational view of FIG. 9;  
 FIG. 13 is a rear elevational view of FIG. 9;  
 FIG. 14 is a left side elevational view of FIG. 9;  
 FIG. 15 is a bottom plan view of FIG. 9; and,  
 FIG. 16 is a top plan view of FIG. 9.

The broken lines showing of the seat back guide tabs, the locking mechanism, the mounting holes, and the seat mounting structure in the drawing are for environmental purposes only and forms no part of the claimed design.

**1 Claim, 9 Drawing Sheets**







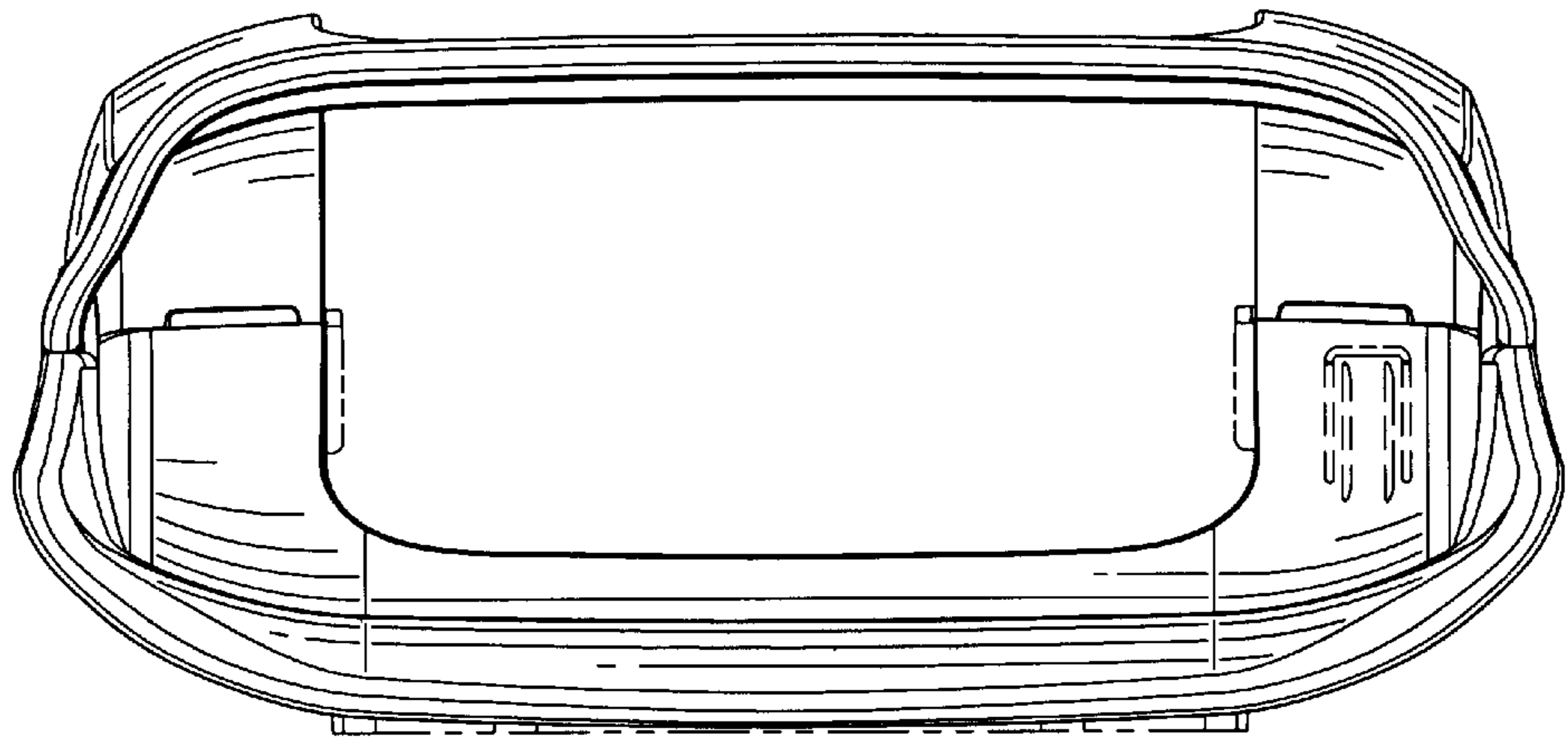


FIG. 3

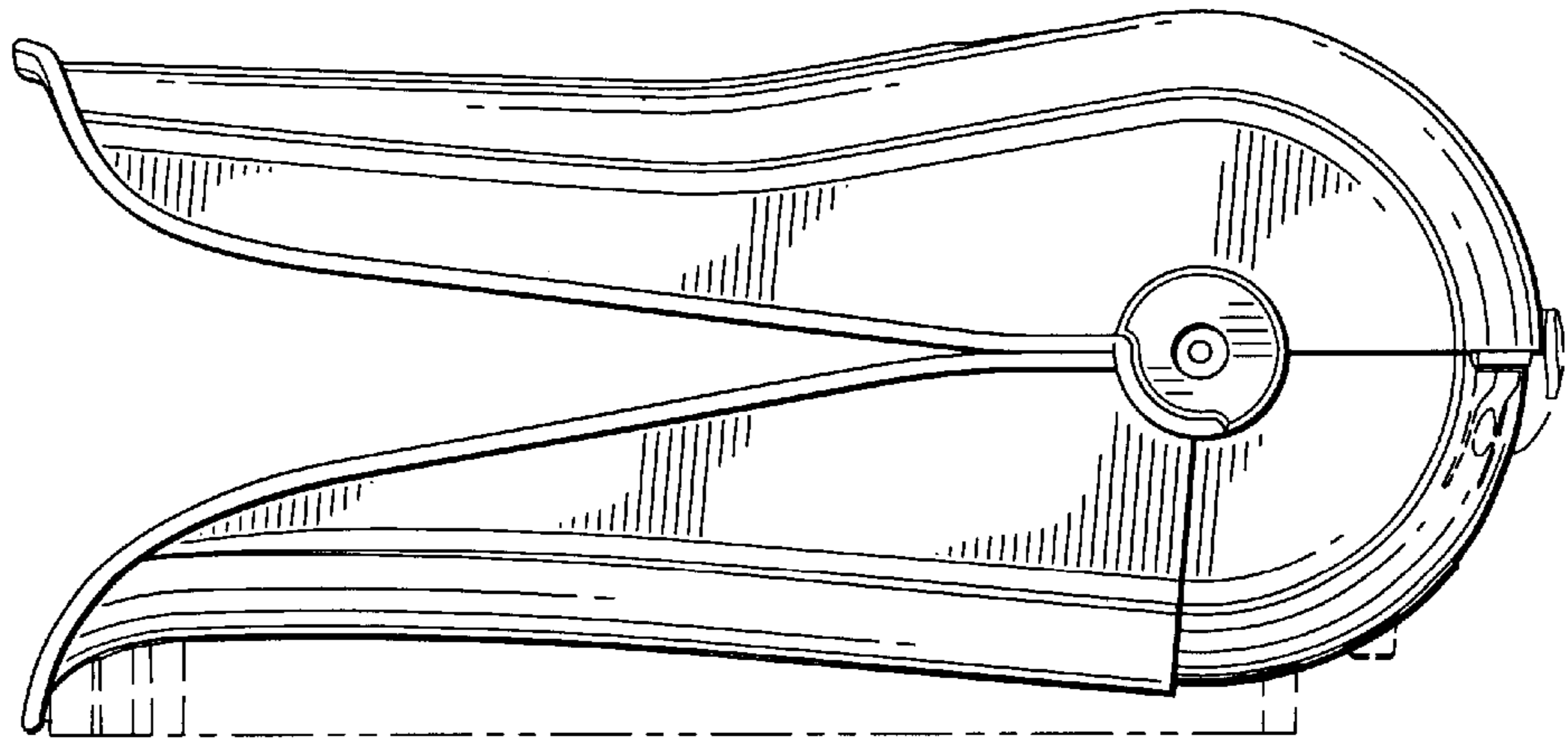


FIG. 4

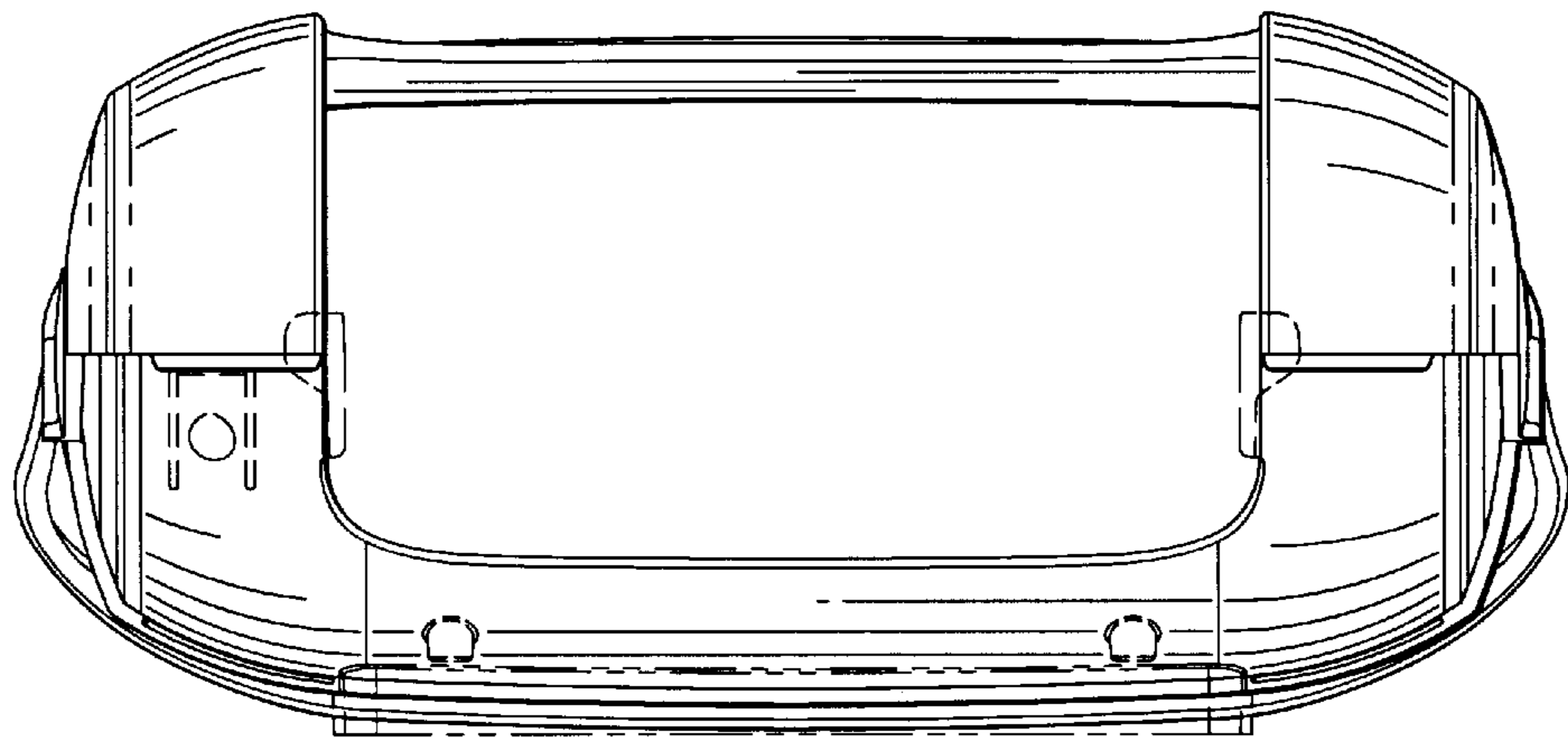


FIG. 5

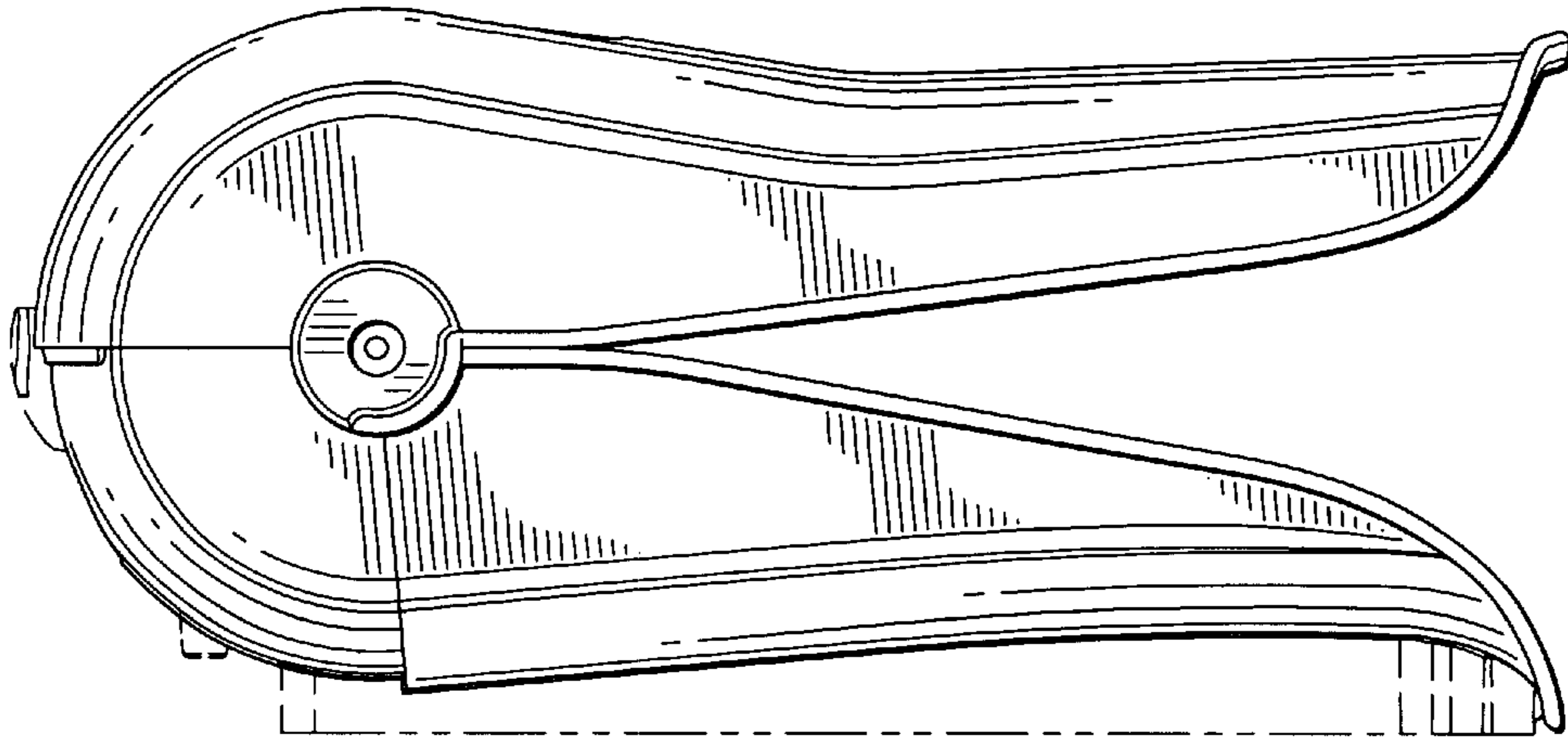


FIG. 6

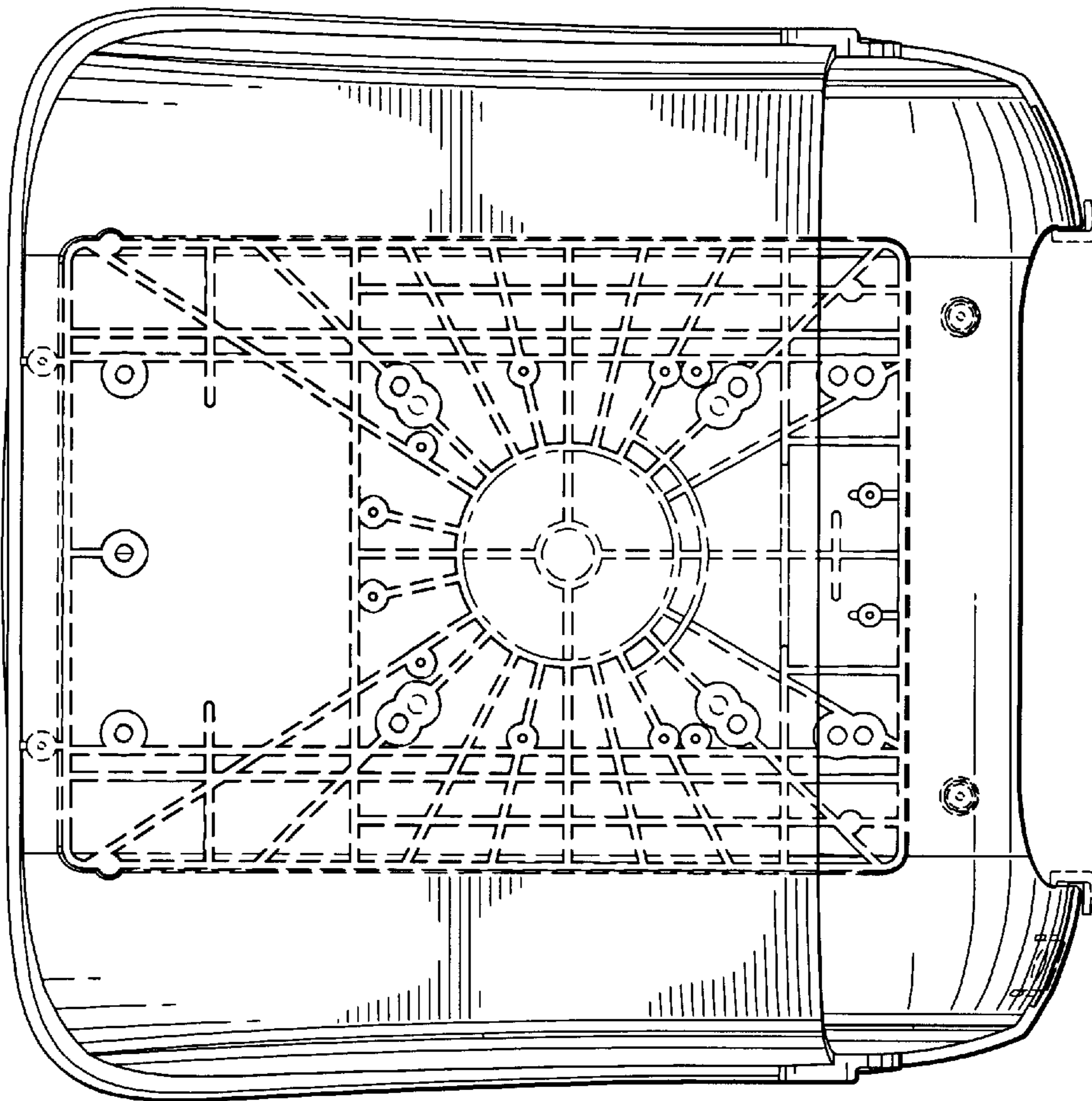


FIG. 7

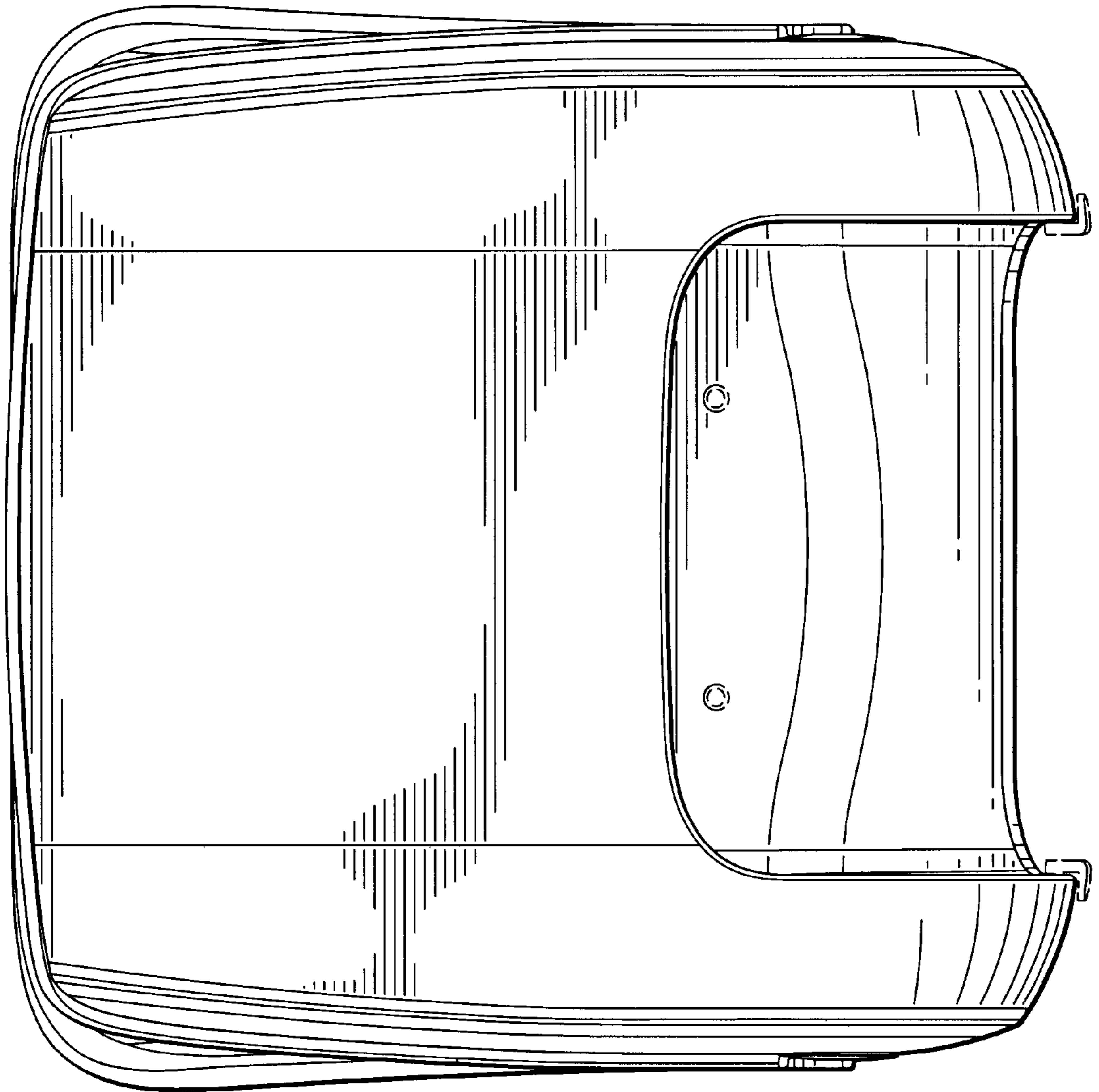


FIG. 8

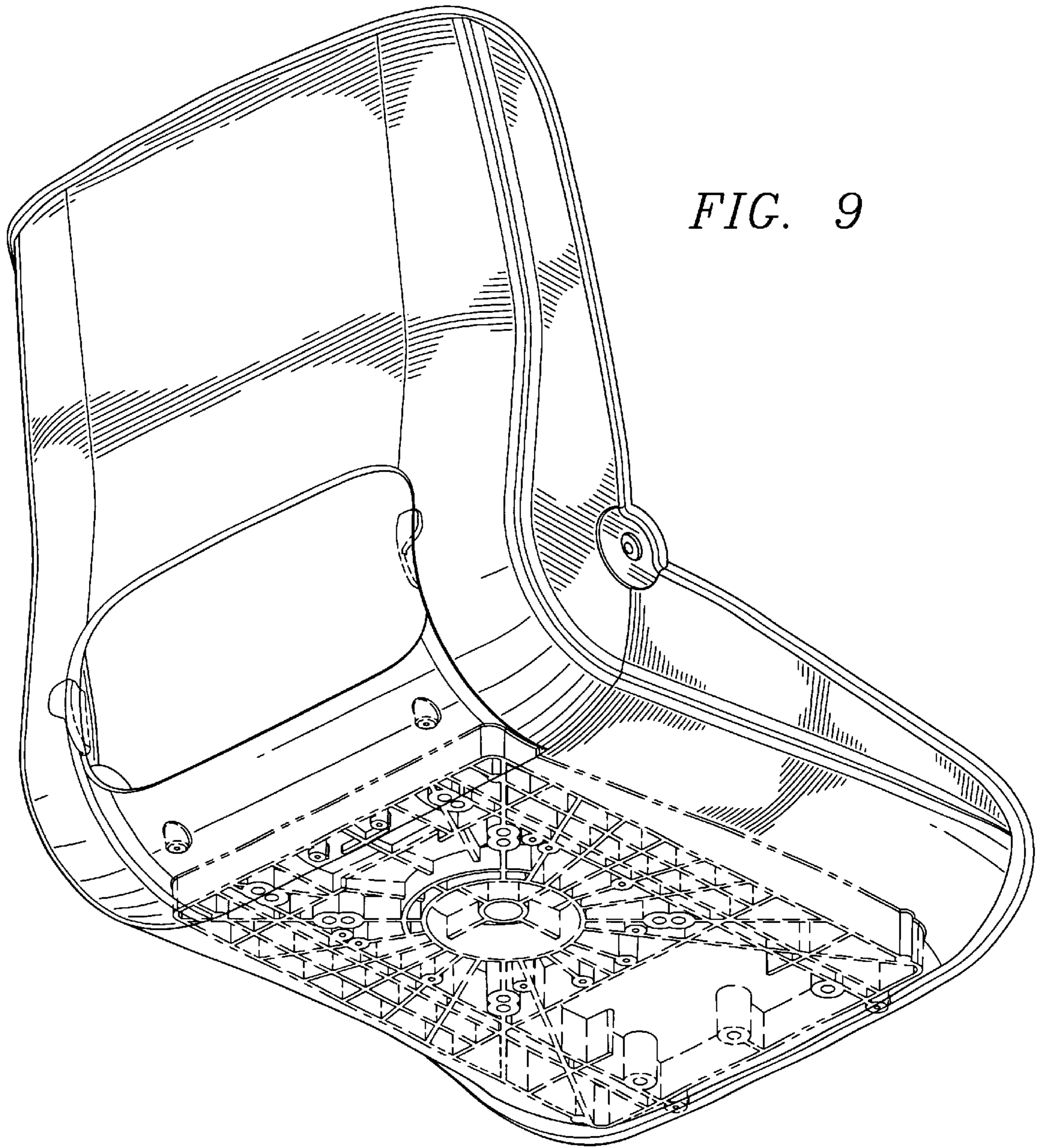
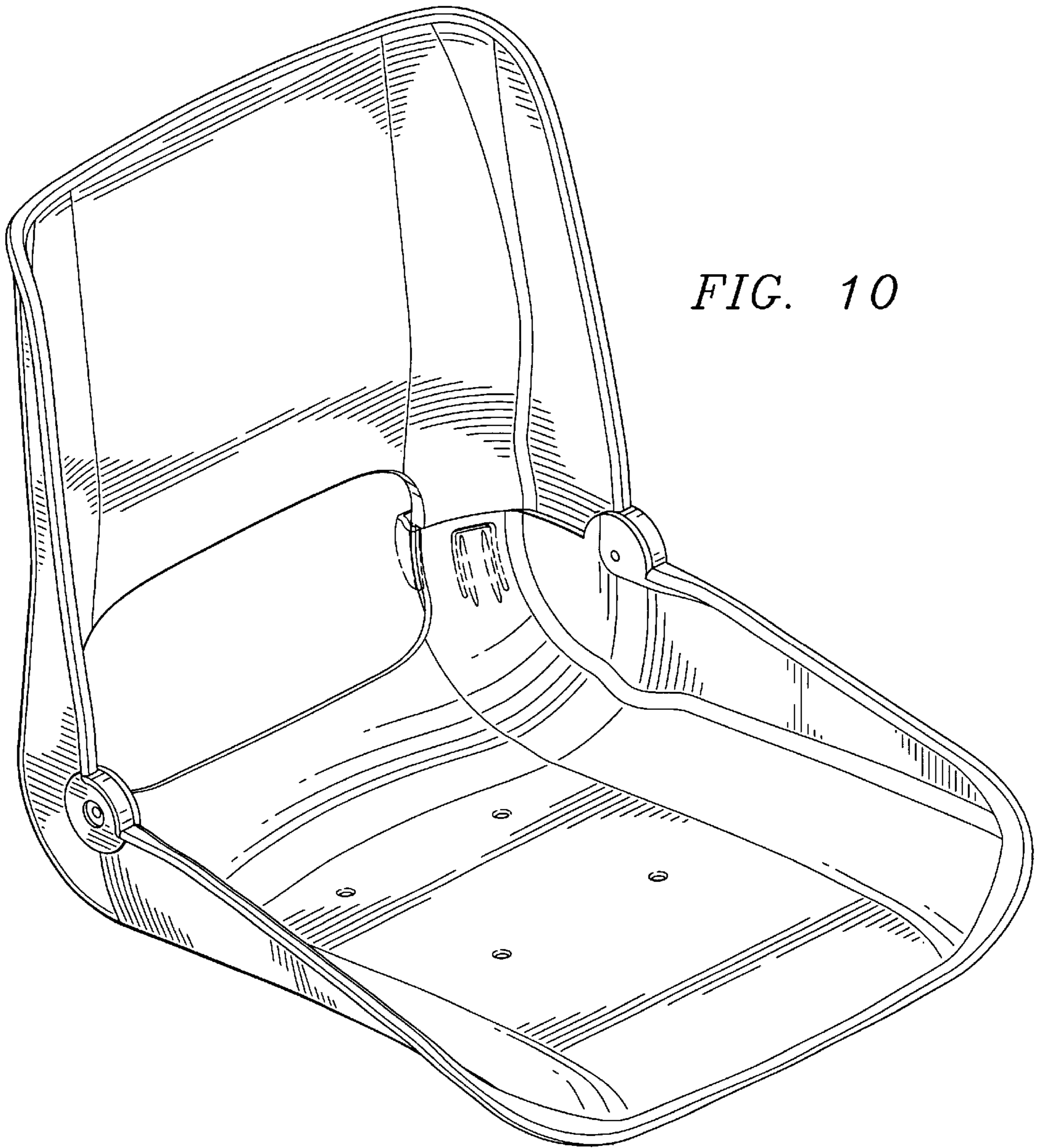


FIG. 9





*FIG. 10*

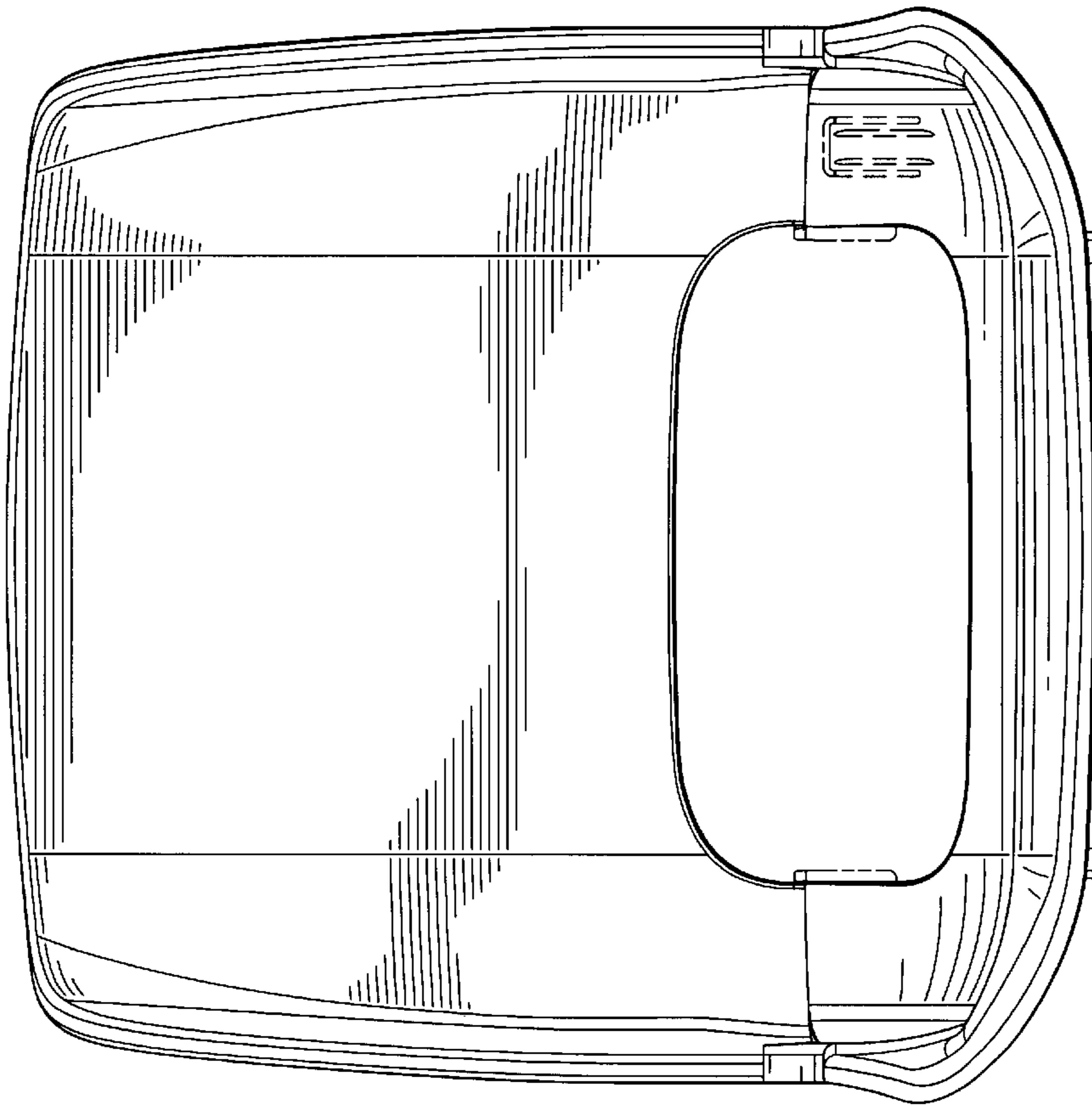


FIG. 11

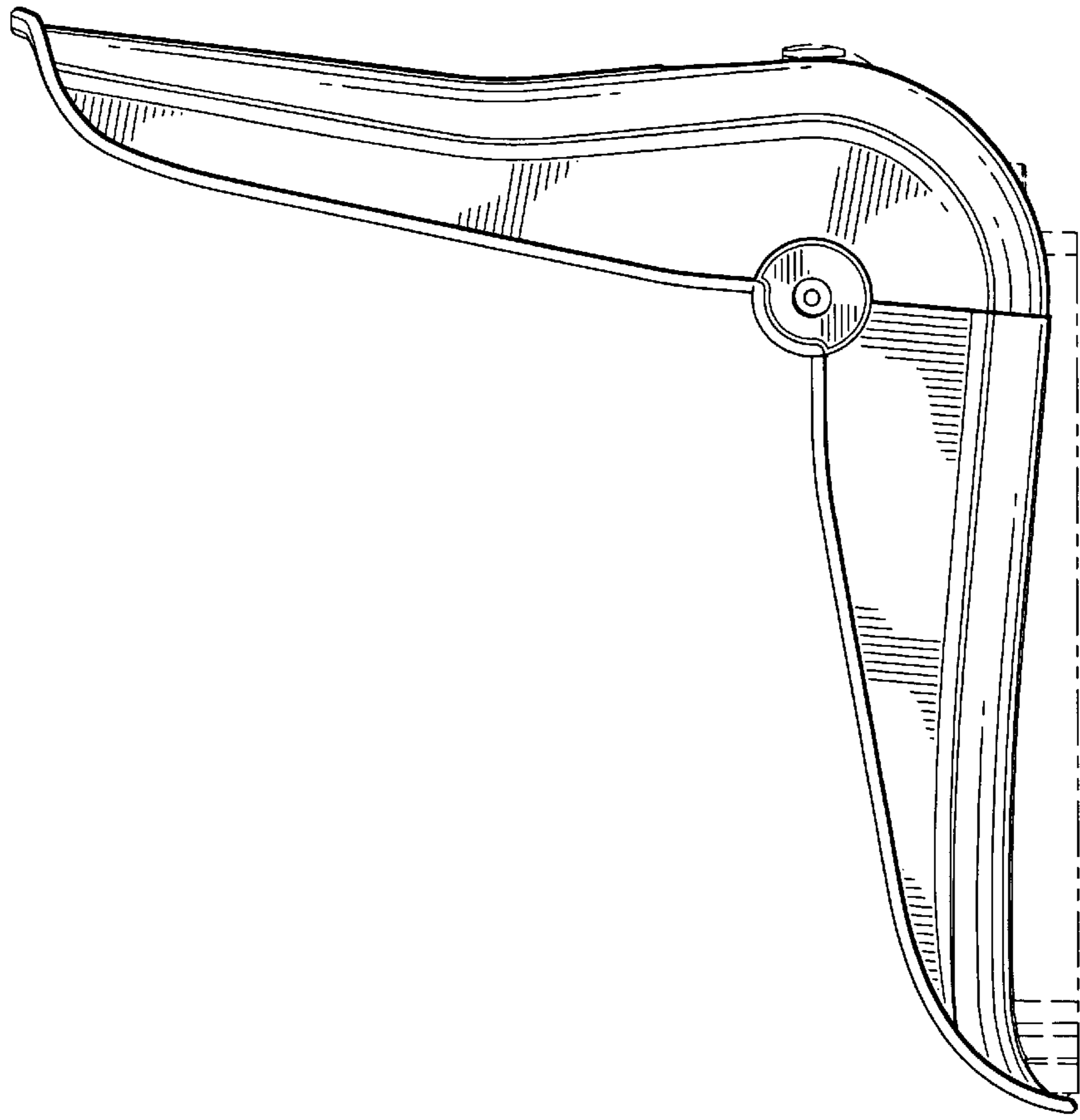


FIG. 12



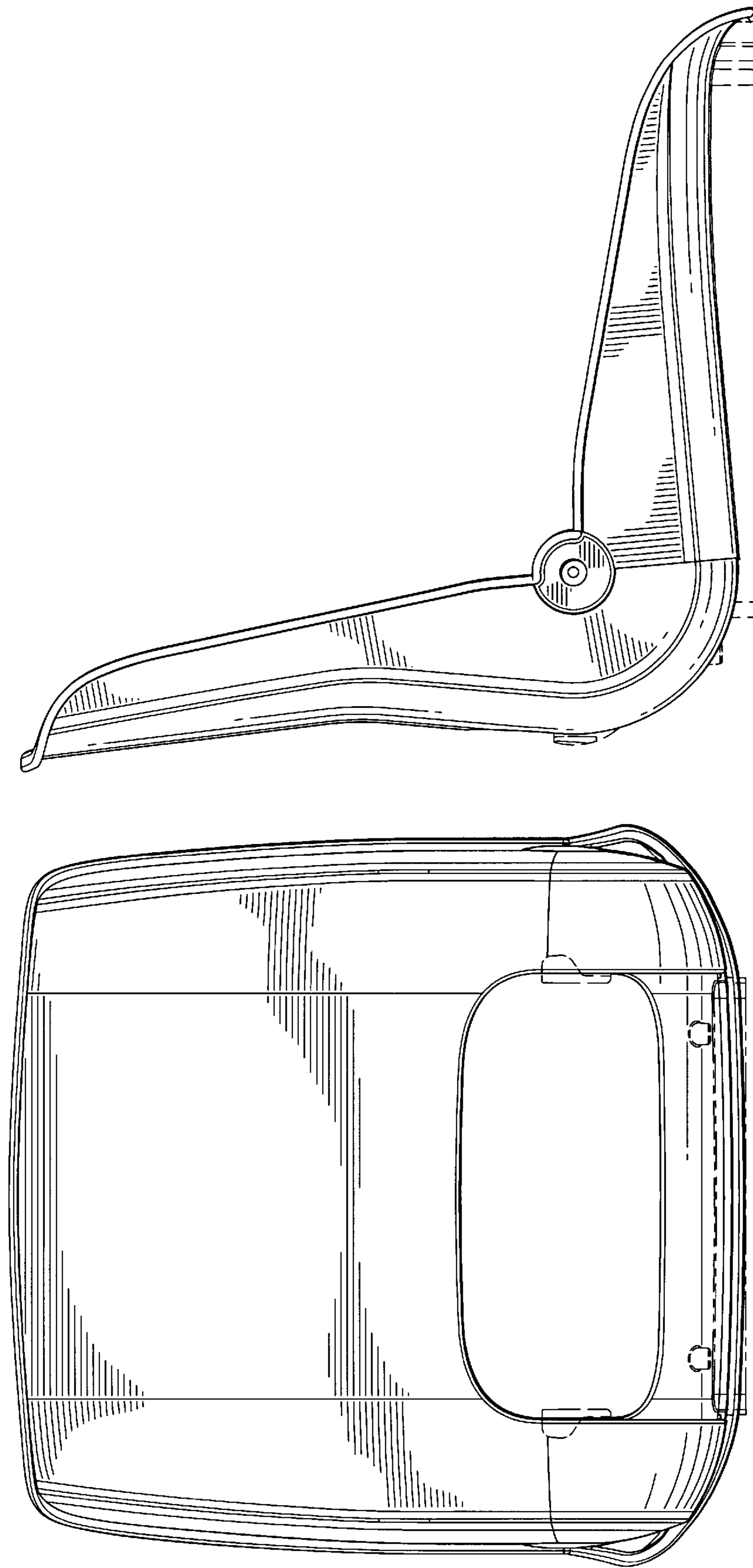


FIG. 13

FIG. 14

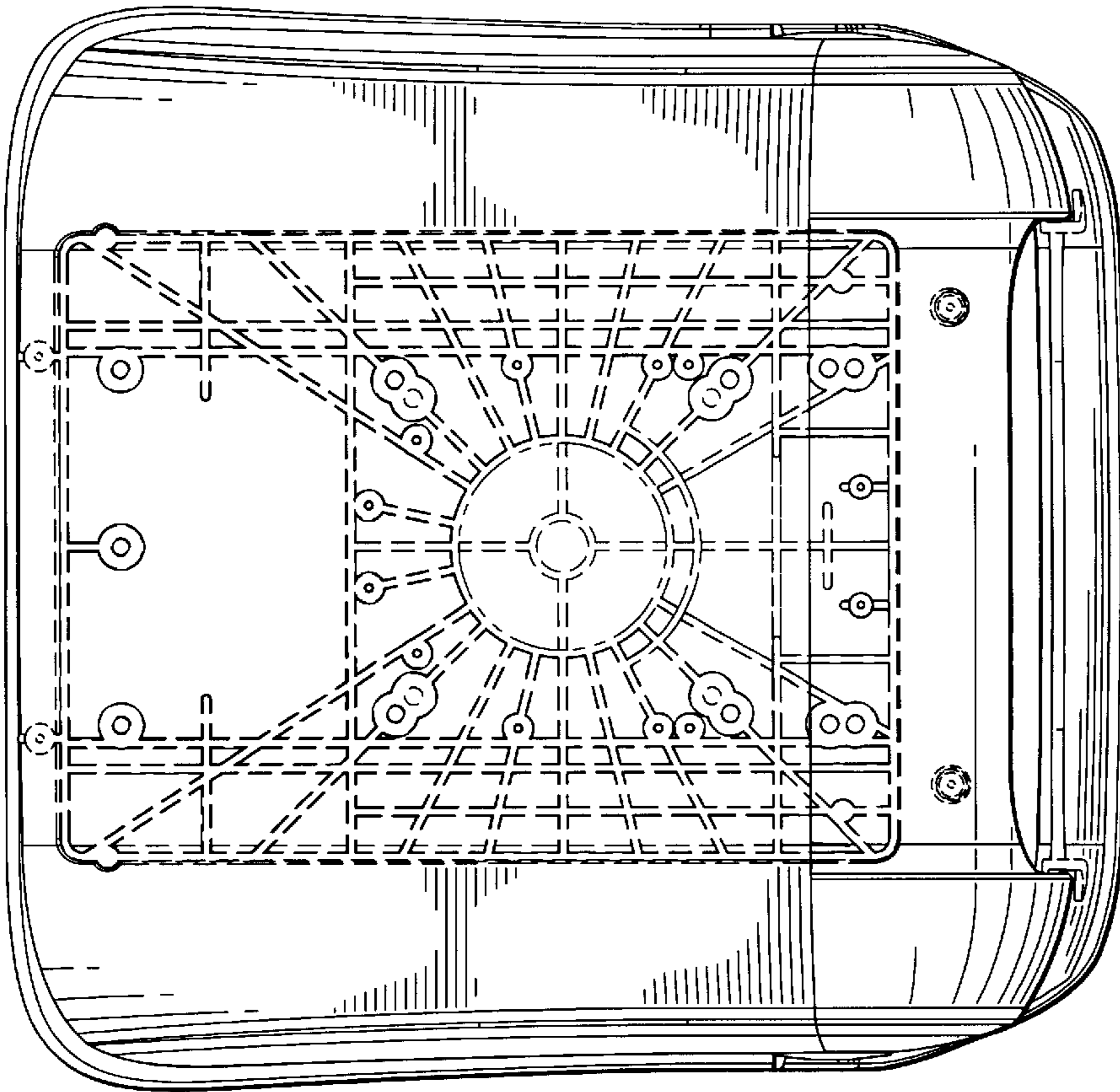


FIG. 15

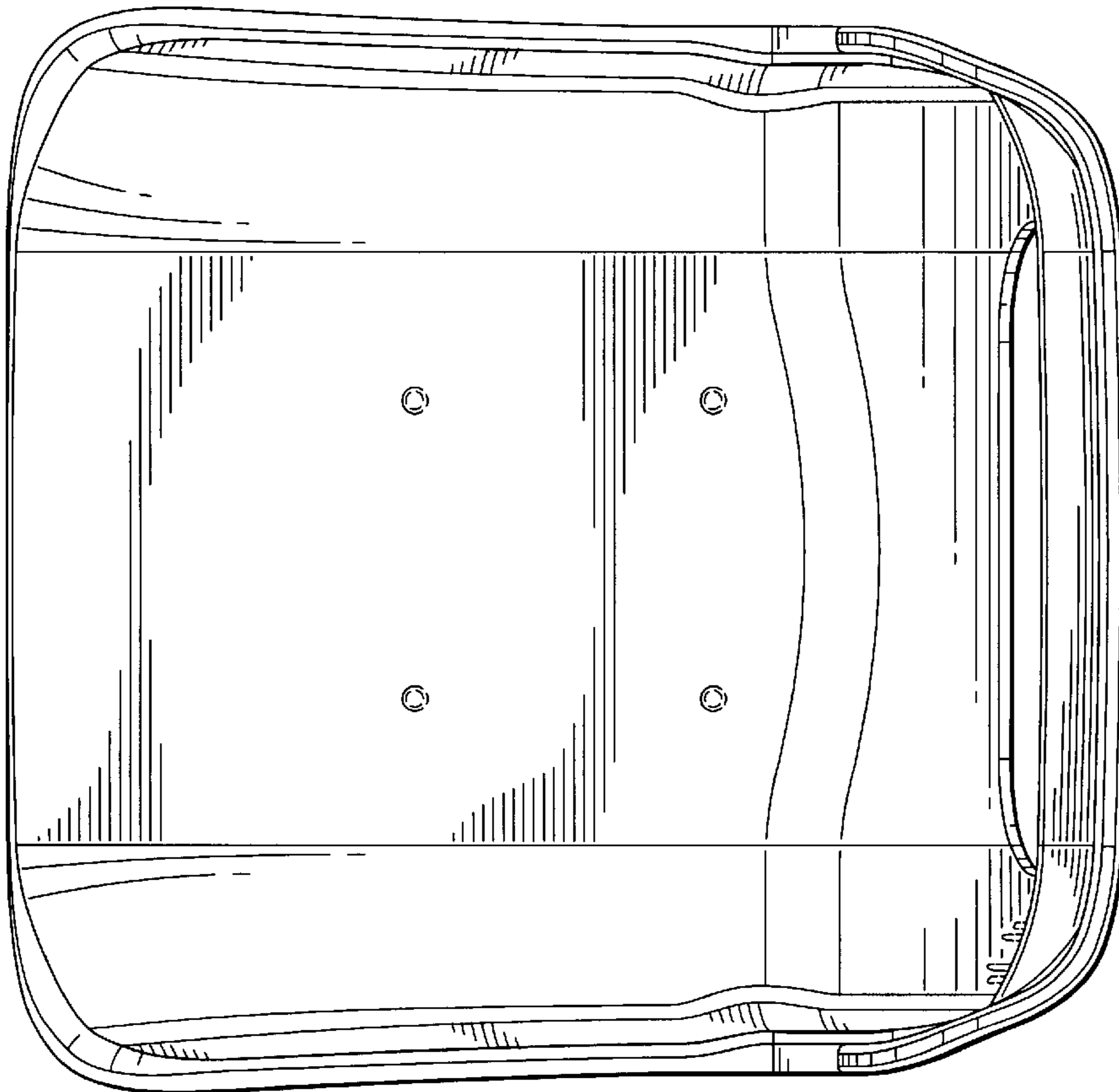


FIG. 16