



US00D449457B1

(12) **United States Design Patent**
Su

(10) **Patent No.:** **US D449,457 S**

(45) **Date of Patent:** **** Oct. 23, 2001**

(54) **CHAIR**

(76) **Inventor:** **Tung-Hua Su**, No. 16, Alley 23, Lane 900, Min Sheng St., Kuei Jen, Tainan Hsien (TW)

(**) **Term:** **14 Years**

(21) **Appl. No.:** **29/135,322**

(22) **Filed:** **Jan. 11, 2001**

(51) **LOC (7) Cl.** **06-01**

(52) **U.S. Cl.** **D6/366**

(58) **Field of Search** D6/334, 335, 364,
D6/365, 366, 367, 500, 501, 502; 297/411.2,
411.27, 411.36

(56) **References Cited**

U.S. PATENT DOCUMENTS

D. 346,279	*	4/1994	Stumpf et al.	D6/366
D. 363,383	*	10/1995	Cronk	D6/366
D. 370,789	*	6/1996	Groulx	D6/366
D. 379,567	*	6/1997	Grivet	D6/500
D. 390,712	*	2/1998	Koepke et al.	D6/366
D. 407,911	*	4/1999	Bräuning	D6/366

D. 423,259	*	4/2000	Grove	D6/500
D. 423,260	*	4/2000	Grove	D6/500
D. 431,400	*	10/2000	Grove	D6/500
D. 435,976	*	1/2001	Deacon	D6/366
D. 436,456	*	1/2001	Neil	D6/366
D. 437,701	*	2/2001	Bellini et al.	D6/366
D. 440,419	*	4/2001	Röder	D6/366

* cited by examiner

Primary Examiner—Gary D. Watson

(74) *Attorney, Agent, or Firm*—Charles E. Baxley

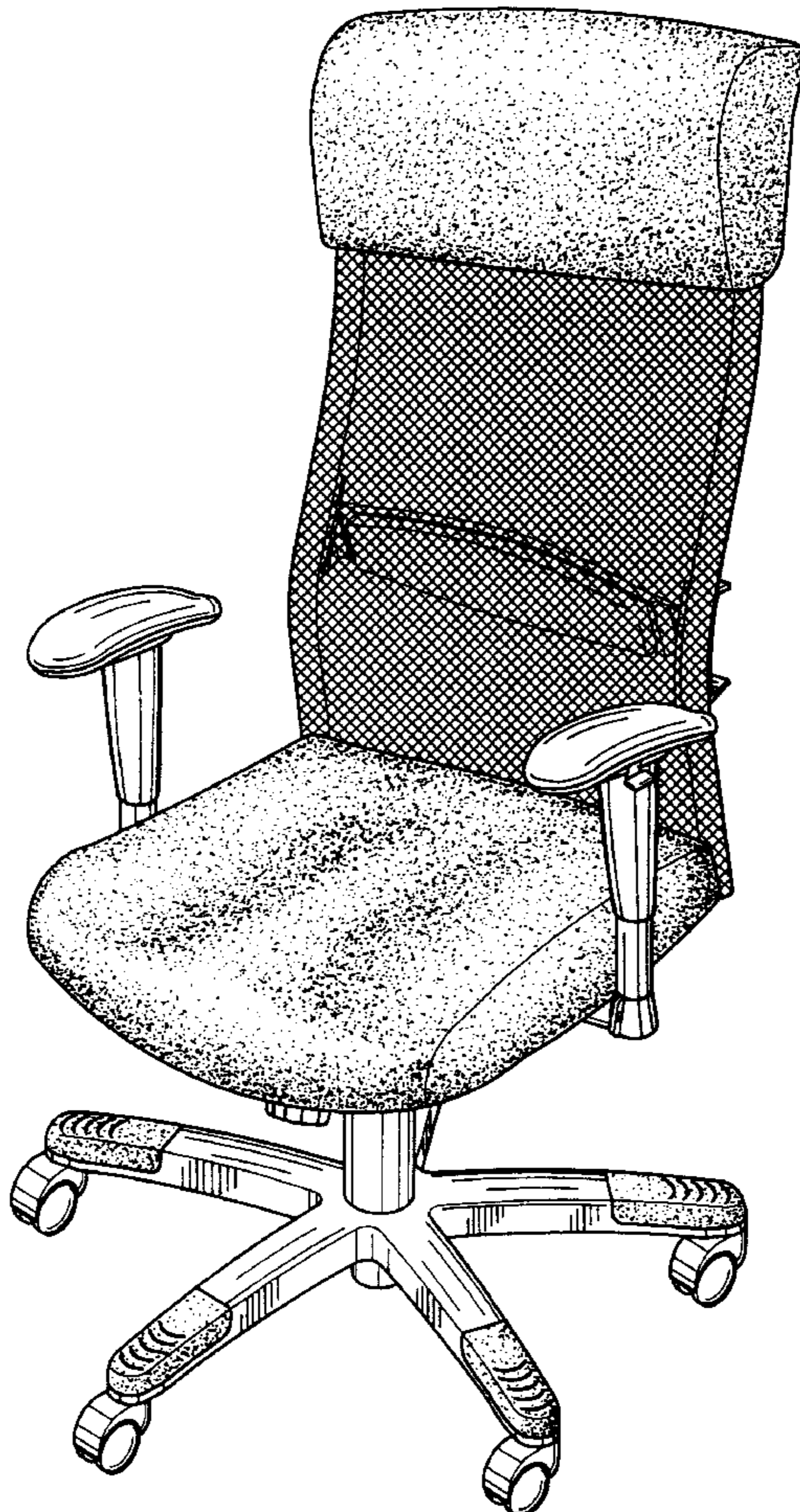
(57) **CLAIM**

The ornamental design for a chair, as shown.

DESCRIPTION

FIG. 1 is a perspective view of a chair showing my new design;
 FIG. 2 is a front elevation view thereof;
 FIG. 3 is a rear elevation view thereof;
 FIG. 4 is a left side elevation view thereof;
 FIG. 5 is a right side elevation view thereof;
 FIG. 6 is a top plan view thereof; and,
 FIG. 7 is a bottom plan view thereof.

1 Claim, 7 Drawing Sheets



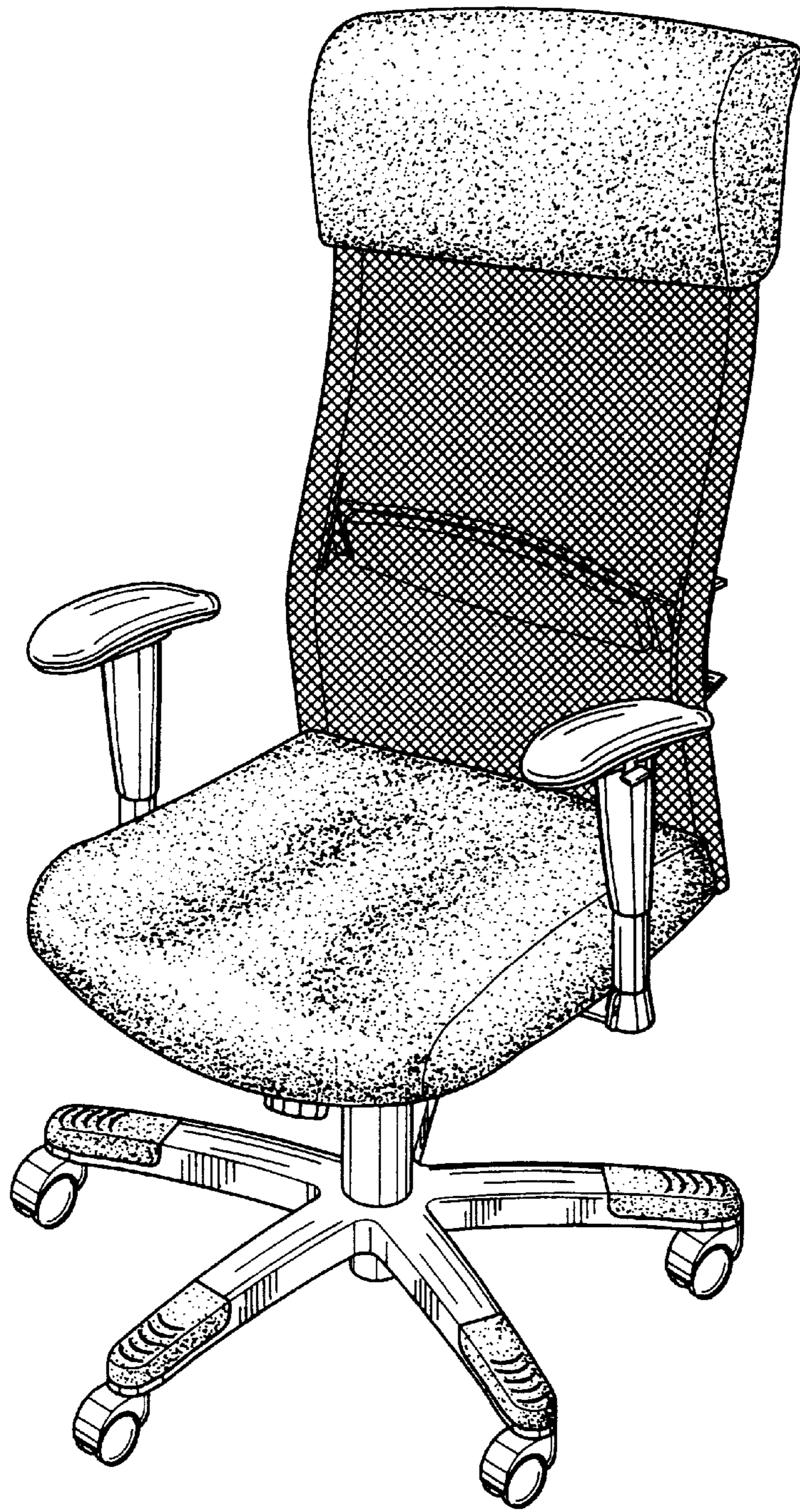


FIG. 1

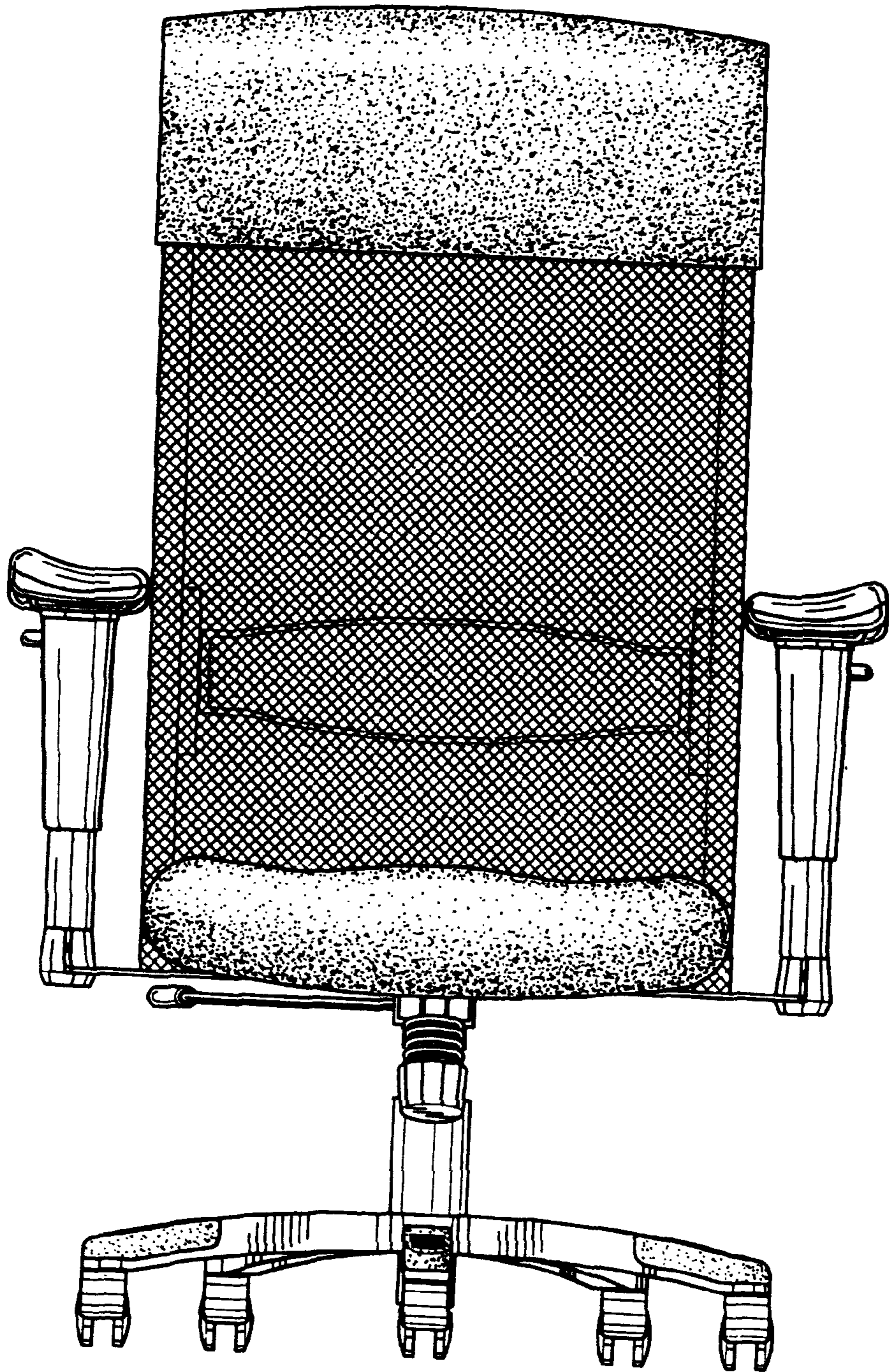


FIG. 2

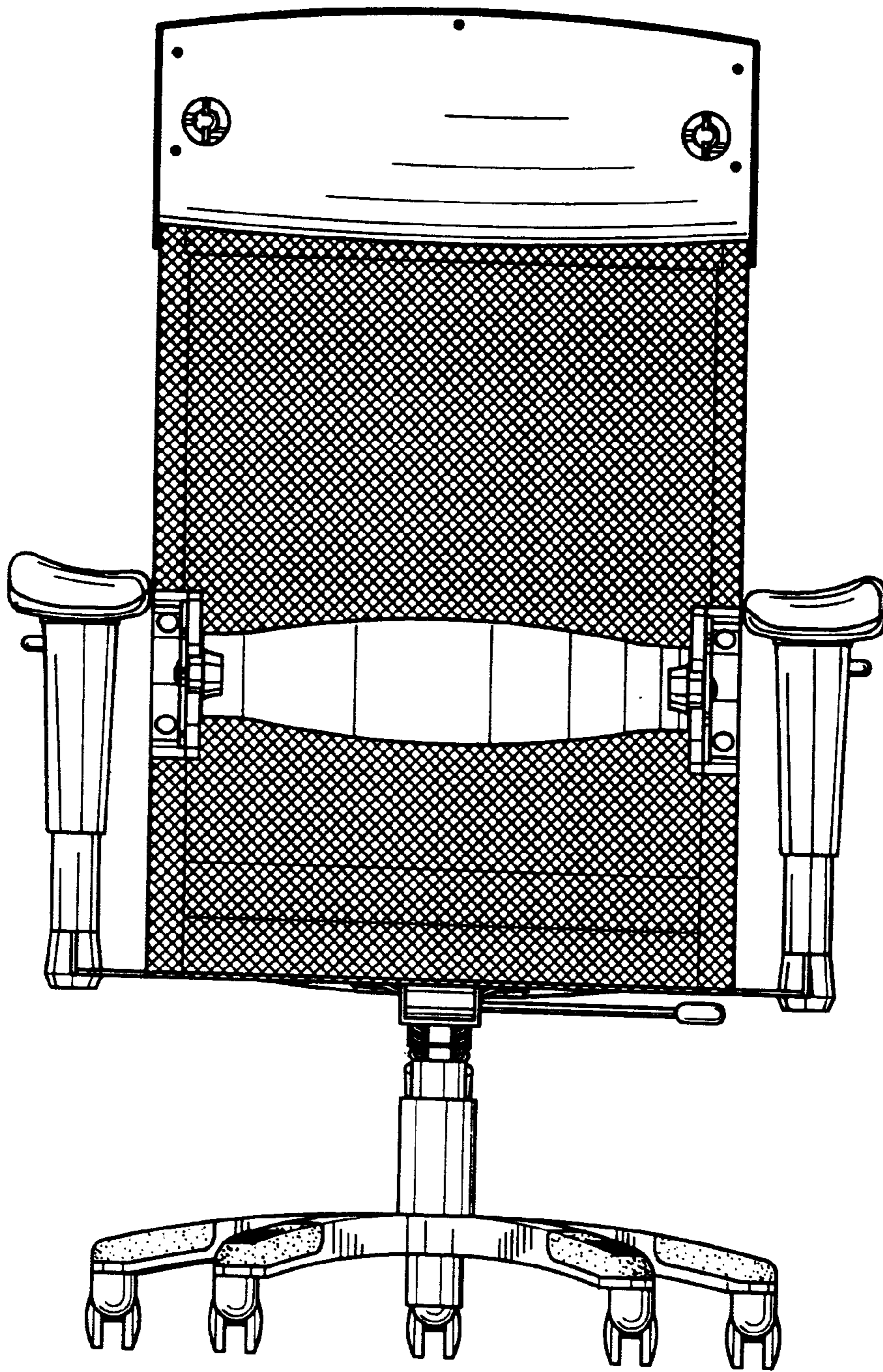


FIG. 3

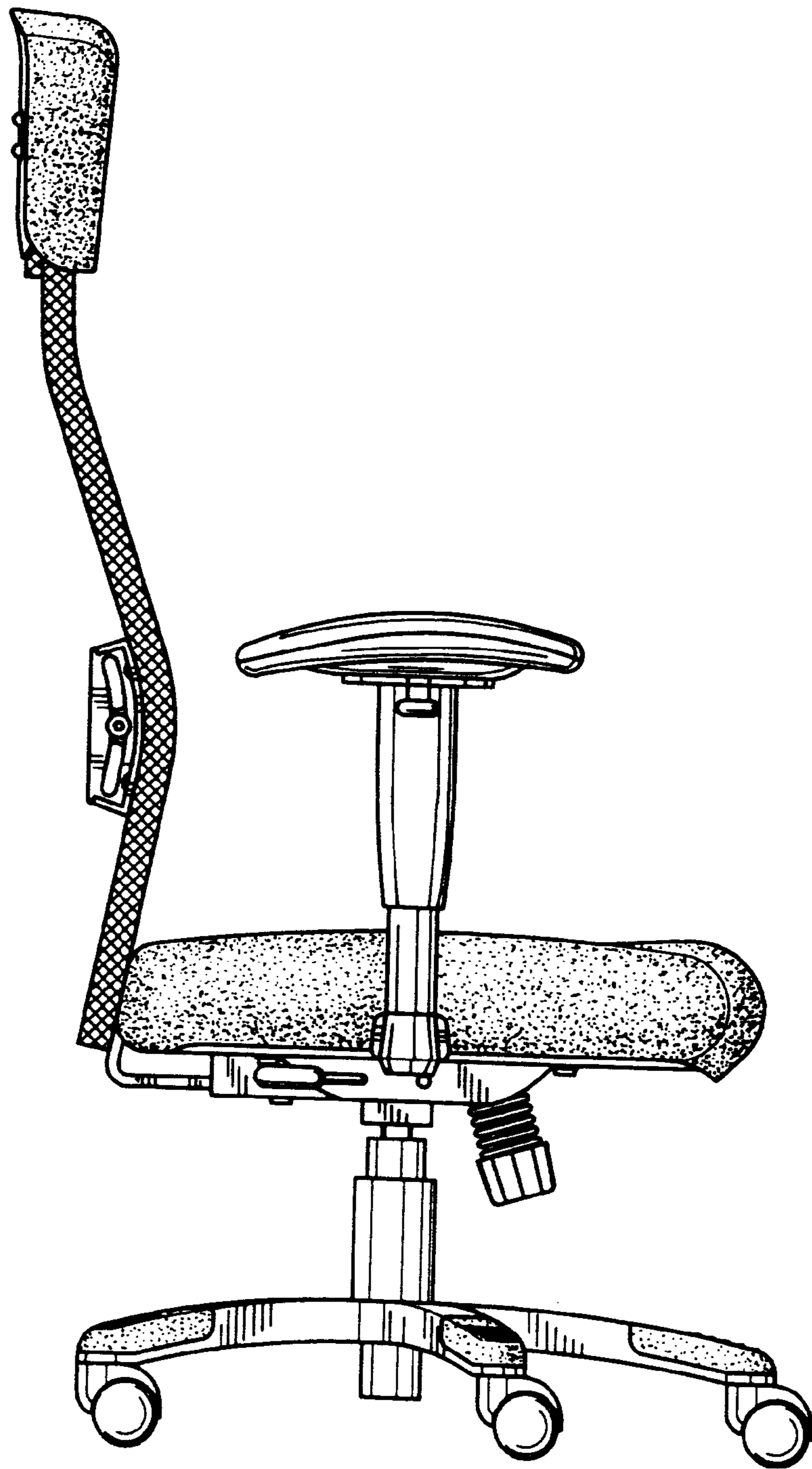


FIG. 4

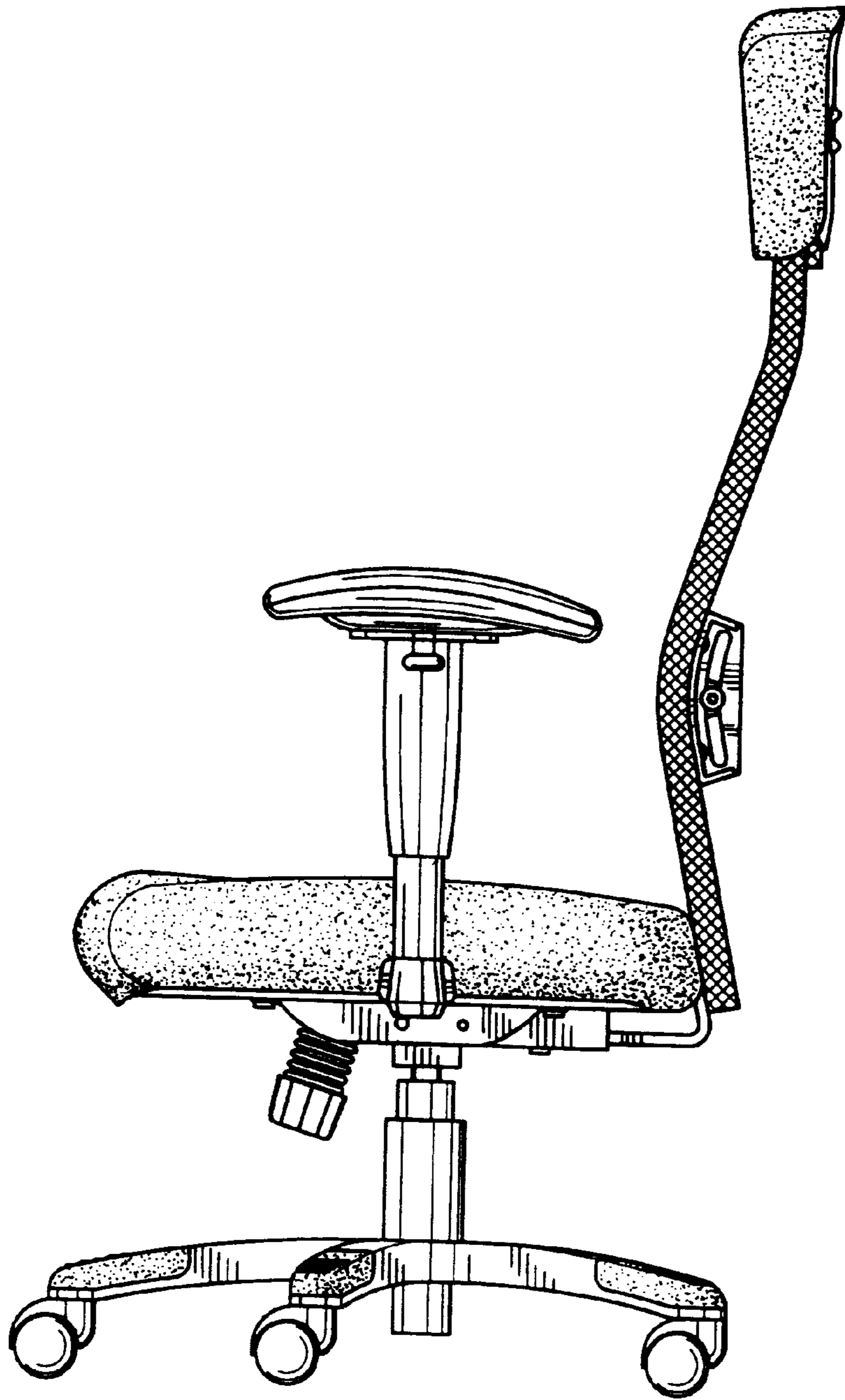


FIG. 5

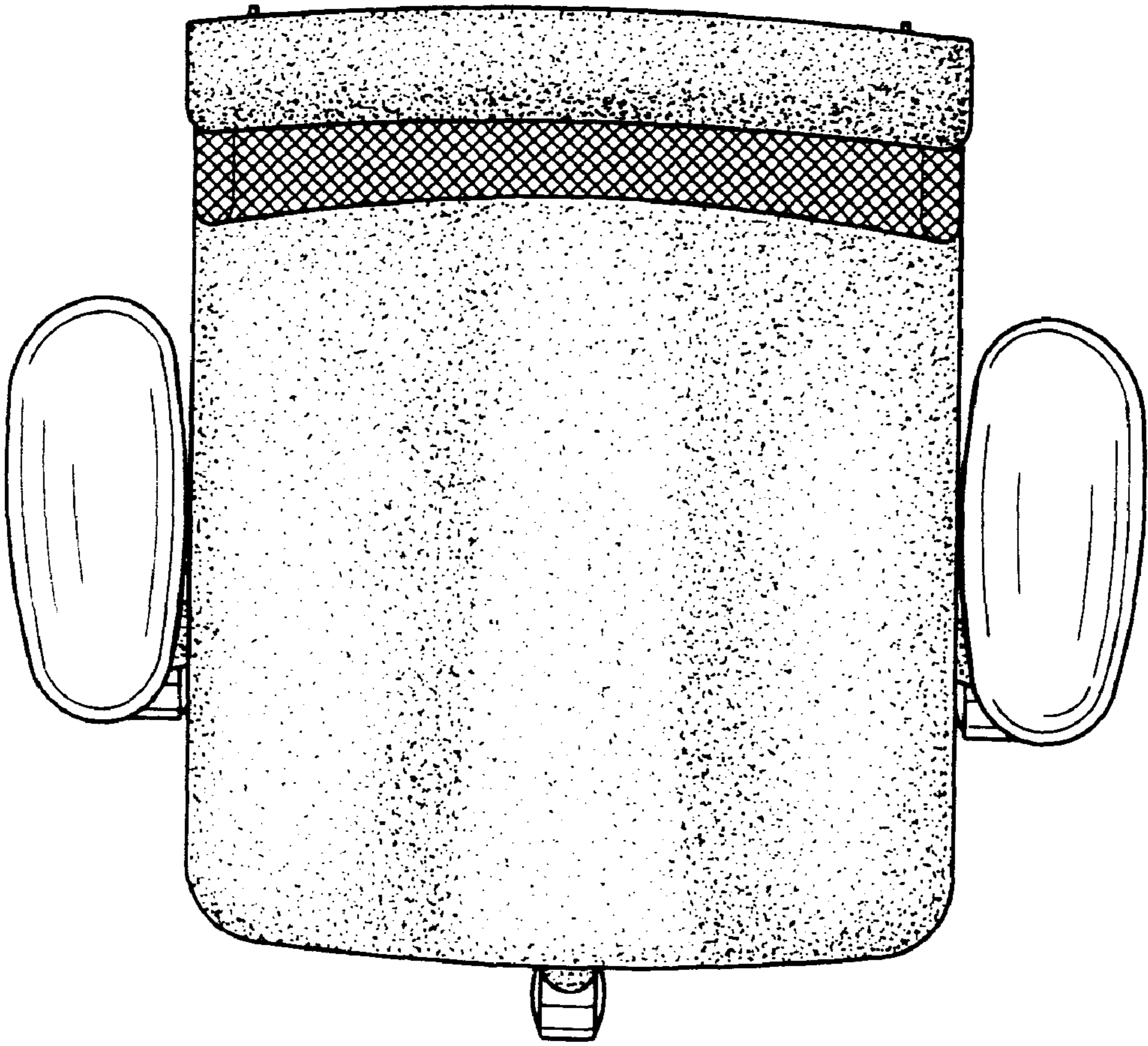


FIG. 6

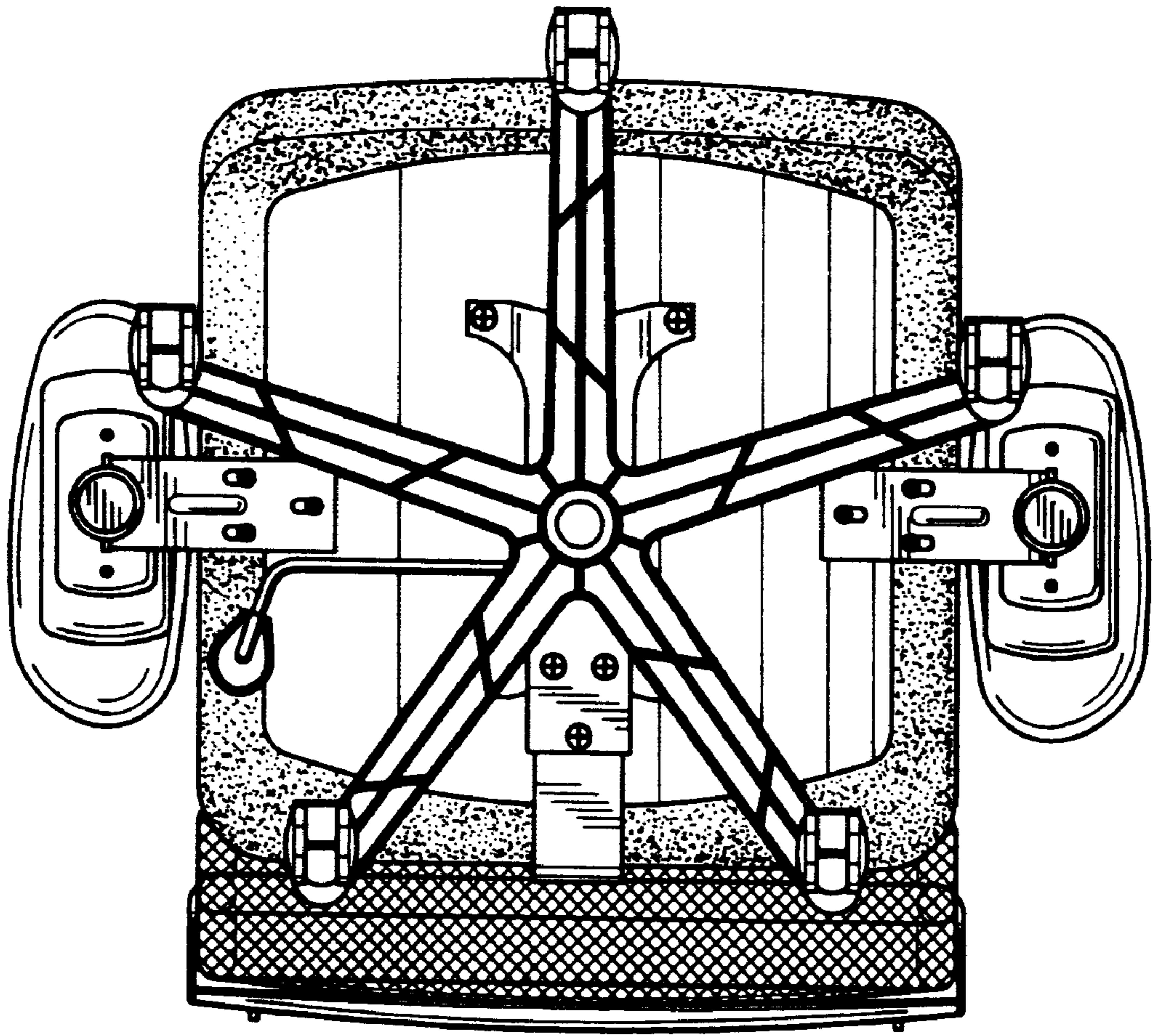


FIG. 7