



US00D449449B2

(12) **United States Design Patent**
Moore

(10) **Patent No.:** **US D449,449 S**

(45) **Date of Patent:** **** Oct. 23, 2001**

(54) **LIQUID APPLICATOR ASSEMBLY**

FOREIGN PATENT DOCUMENTS

(76) Inventor: **Rex Warren Moore**, 8 Spinaker Drive,
Whitby, Wellington (NZ)

70087 5/1981 (AU) .
1085635 10/1967 (GB) .
194128 3/1984 (NZ) .
286054 2/1996 (NZ) .
WO 98/42187 10/1998 (WO) .

(**) Term: **14 Years**

* cited by examiner

(21) Appl. No.: **29/116,711**

(22) Filed: **Jan. 7, 2000**

Primary Examiner—Alan P. Douglas

Assistant Examiner—Lavone Tabor

(30) **Foreign Application Priority Data**

Jul. 9, 1999 (NZ) 30406

(74) *Attorney, Agent, or Firm*—Workman Nydegger &
Seeley

(51) **LOC (7) Cl.** **04-01**

(57) **CLAIM**

(52) **U.S. Cl.** **D4/114; D4/122**

The ornamental design for a liquid applicator assembly, as
shown and described.

(58) **Field of Search** D4/122, 114; D8/2;
D28/7; 15/24, 27, 230.11, 143.1; 47/1.5;
401/203–205, 207–208, 218–220, 197,
198; 492/13, 17, 19

DESCRIPTION

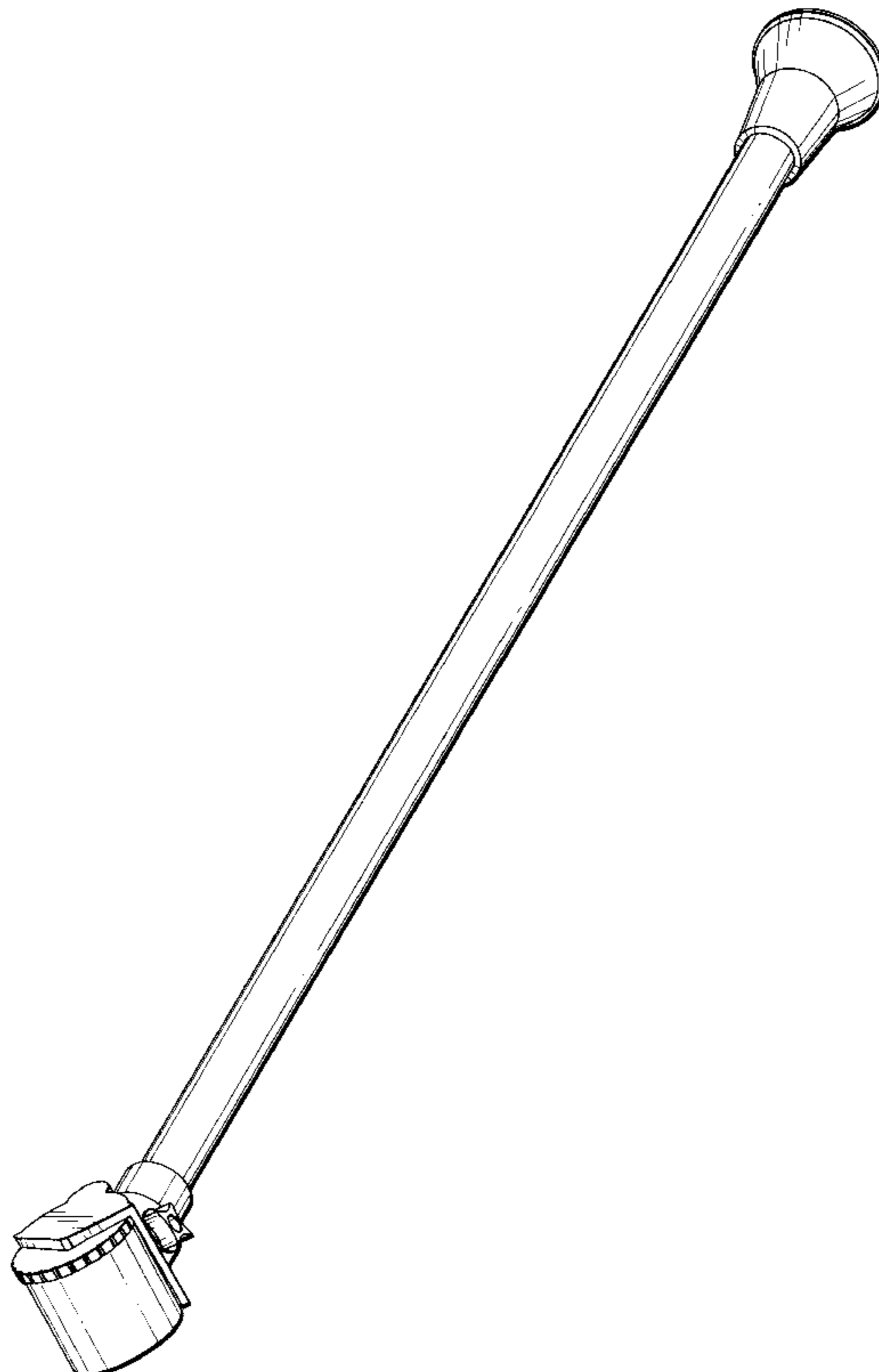
(56) **References Cited**

U.S. PATENT DOCUMENTS

133,163 * 11/1872 Lydon et al. 401/208 X
1,075,941 10/1913 Reed 401/219
2,932,045 4/1960 Rabelow 401/186
2,979,757 4/1961 Smith 401/206
3,076,995 2/1963 Rabelow 401/197
3,184,888 5/1965 Fruth et al. 47/1.5
3,651,600 3/1972 Ewing 47/1.5
4,027,986 6/1977 Patrick 401/138 X
4,104,210 8/1978 Coran et al. 525/232
5,254,108 * 10/1993 Burrell et al. 401/220 X

FIG. 1 is a perspective view of the inventive liquid appli-
cator assembly;
FIG. 2 is a bottom plan view of the assembly shown in FIG.
1;
FIG. 3 is a right side view of the assembly shown in FIG. 1;
FIG. 4 is a top plan view of the assembly shown in FIG. 1;
FIG. 5 is a left side view of the assembly shown in FIG. 1;
FIG. 6 is an enlarged elevated front view of the assembly
shown in FIG. 1; and,
FIG. 7 is an enlarged elevated back view of the assembly
shown in FIG. 1.

1 Claim, 3 Drawing Sheets



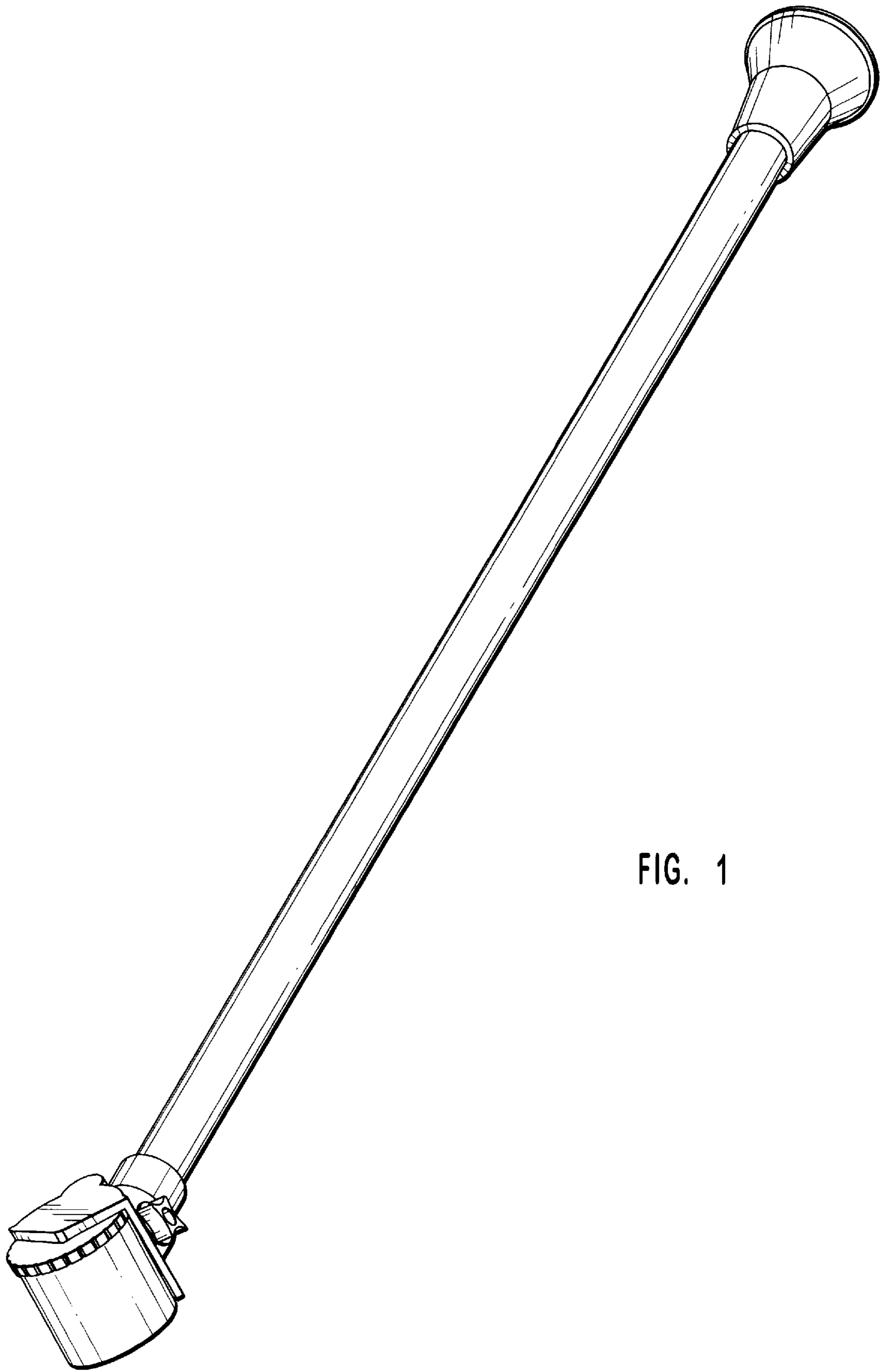


FIG. 1

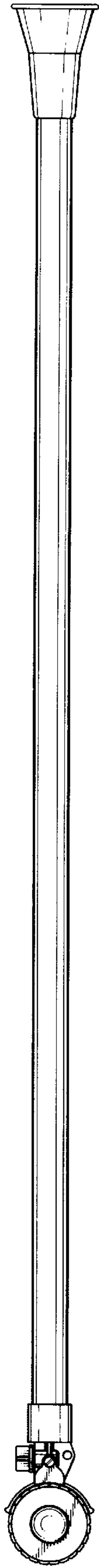


FIG. 2

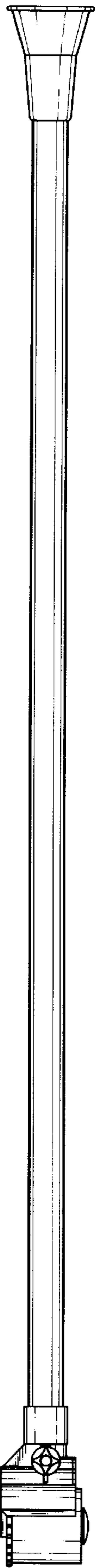


FIG. 3

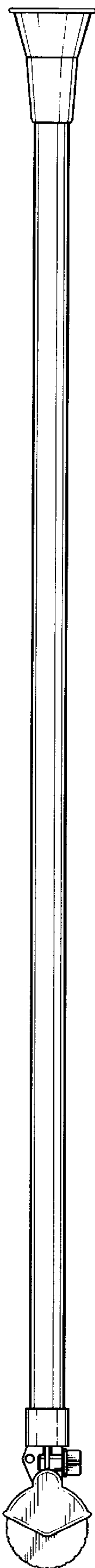


FIG. 4

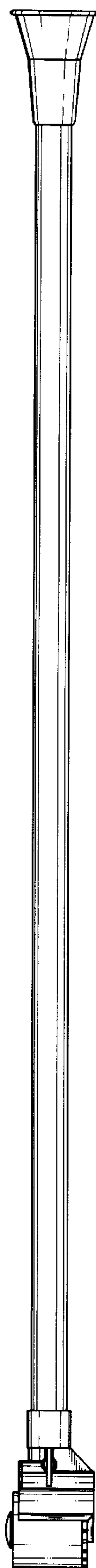


FIG. 5

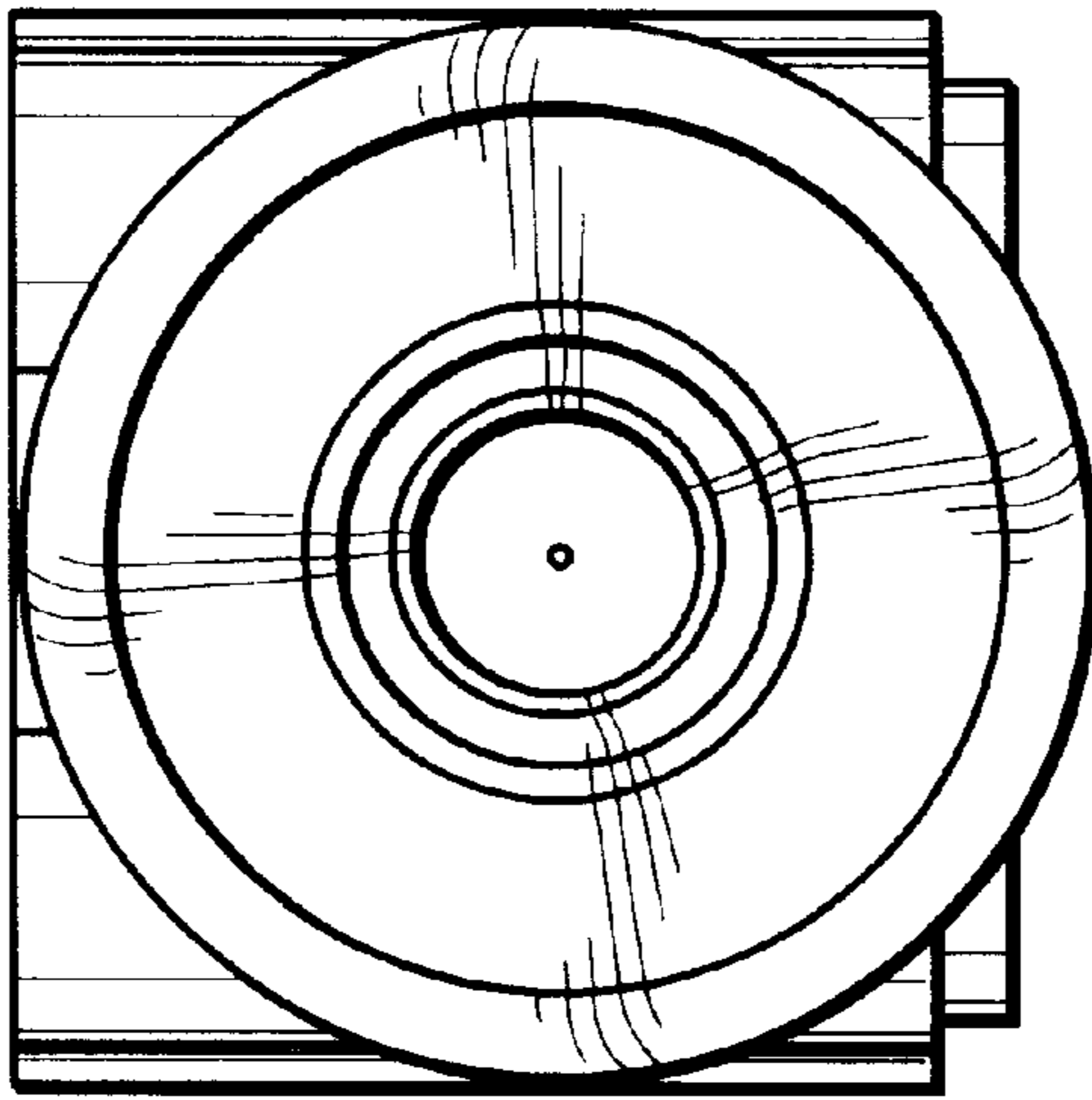


FIG. 6

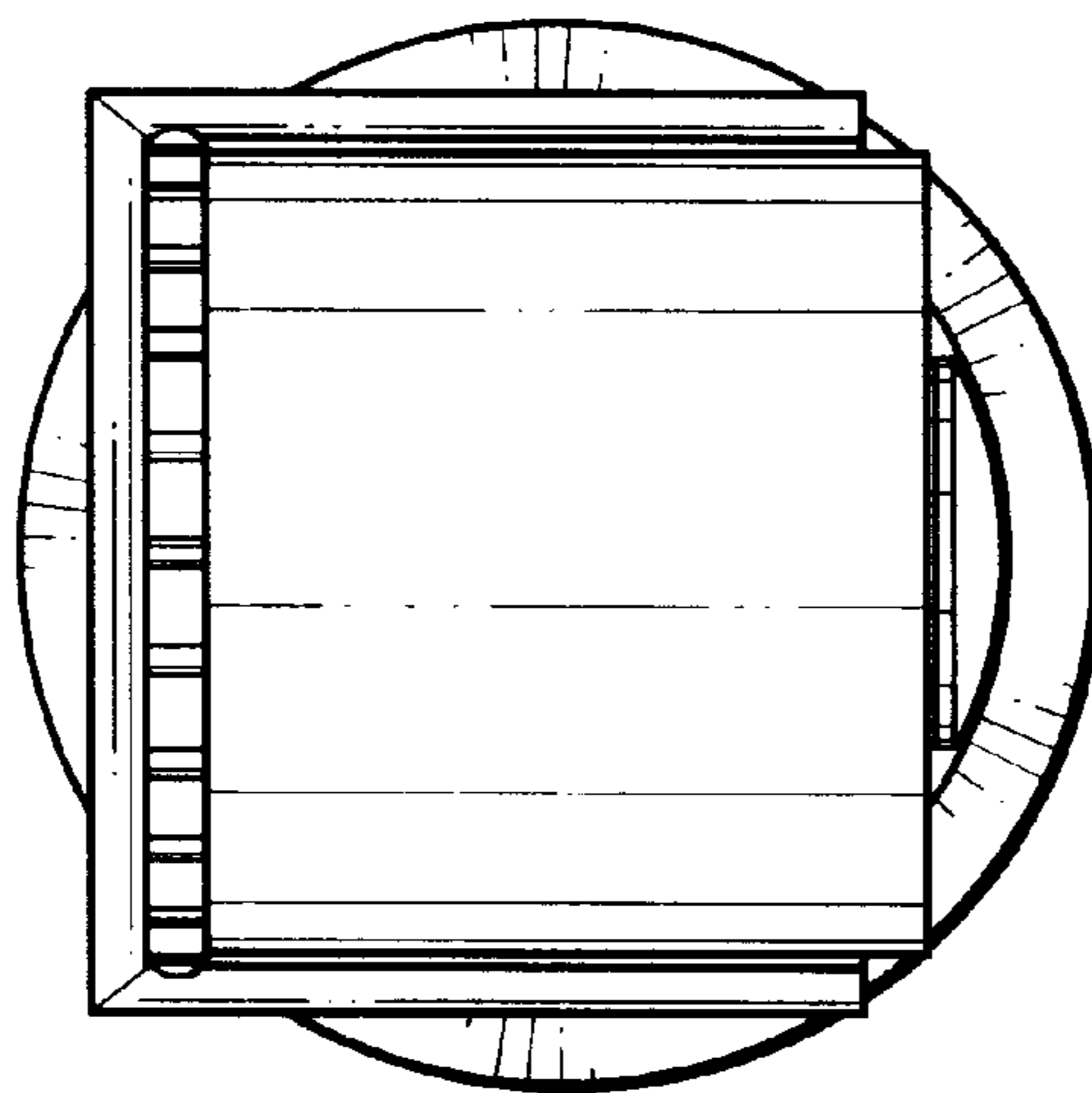


FIG. 7