



US00D449445B2

(12) **United States Design Patent**
Arthur et al.

(10) **Patent No.:** **US D449,445 S**

(45) **Date of Patent:** **** Oct. 23, 2001**

(54) **FIREMAN'S ROPE BAG**

(76) Inventors: **Pamela L. Arthur; Lawrence C. Arthur**, both of 159 Duncan Trail, Longwood, FL (US) 32779

(**) Term: **14 Years**

(21) Appl. No.: **29/127,107**

(22) Filed: **Jul. 31, 2000**

(51) **LOC (7) Cl.** **03-01**

(52) **U.S. Cl.** **D3/300**

(58) **Field of Search** D3/276, 273, 290, D3/299, 300, 303; 206/702; 383/33, 119; 224/645

(56) **References Cited**

U.S. PATENT DOCUMENTS

D. 334,689 * 4/1993 Mason D3/300
D. 343,953 * 2/1994 Marques D3/287
D. 369,467 * 5/1996 Cole D3/300

D. 429,066 * 8/2000 Tucker D3/226
4,161,266 * 7/1979 Howarth, Jr. 224/645
5,439,109 * 8/1995 McBride 206/388
6,026,962 * 2/2000 Witt et al. 206/702

* cited by examiner

Primary Examiner—Philip S. Hyder

(74) *Attorney, Agent, or Firm*—William M. Hobby, III

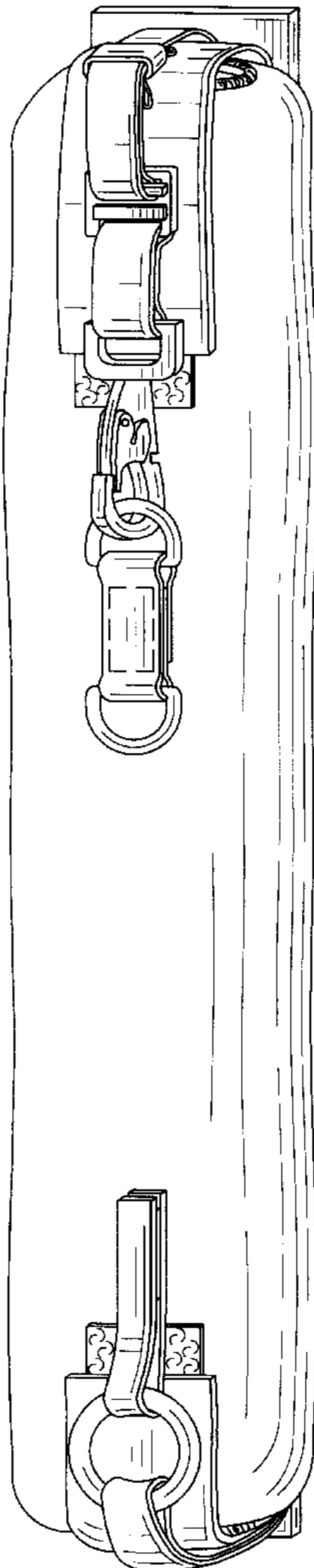
(57) **CLAIM**

The ornamental design for a fireman's rope bag, as shown.

DESCRIPTION

FIG. 1 is a front, right side perspective view of my new fireman's rope bag;
FIG. 2 is a front elevation view;
FIG. 3 is a rear elevation view;
FIG. 4 is a right side elevation view;
FIG. 5 is a left side elevation view;
FIG. 6 is a top plan view; and,
FIG. 7 is a bottom plan view.

1 Claim, 2 Drawing Sheets



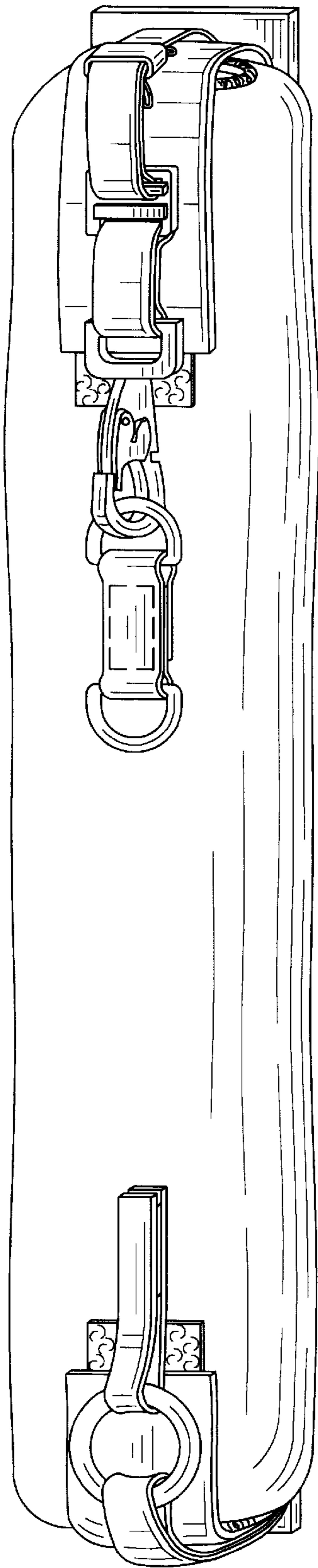


FIG. 1

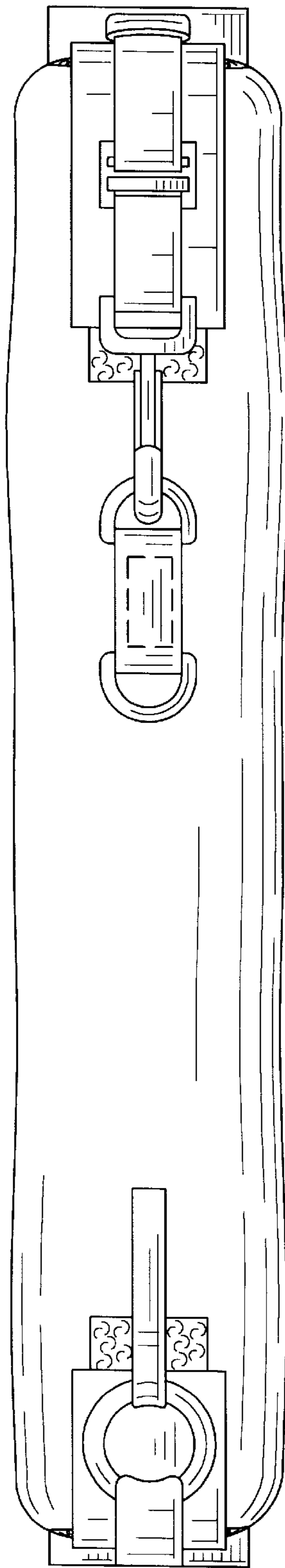


FIG. 2

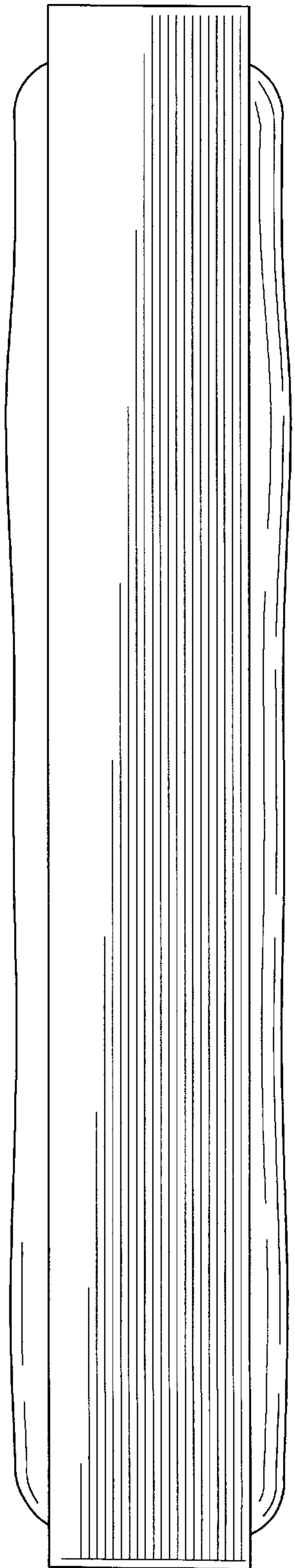


FIG. 3

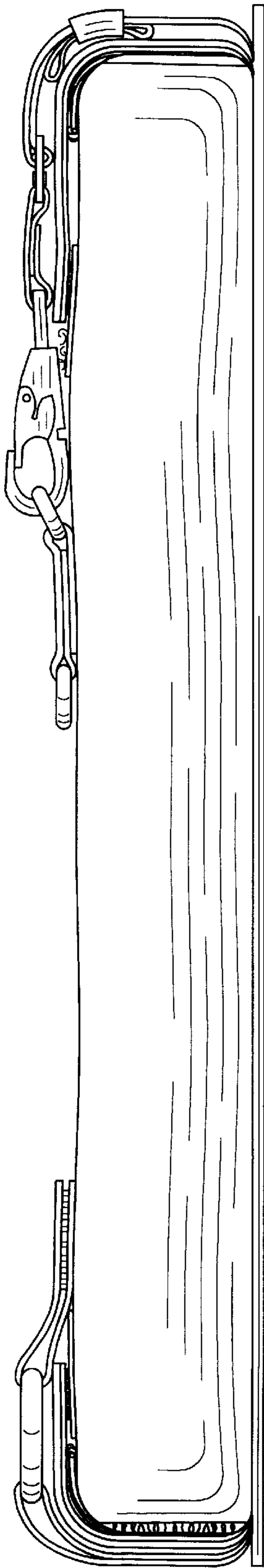


FIG. 4

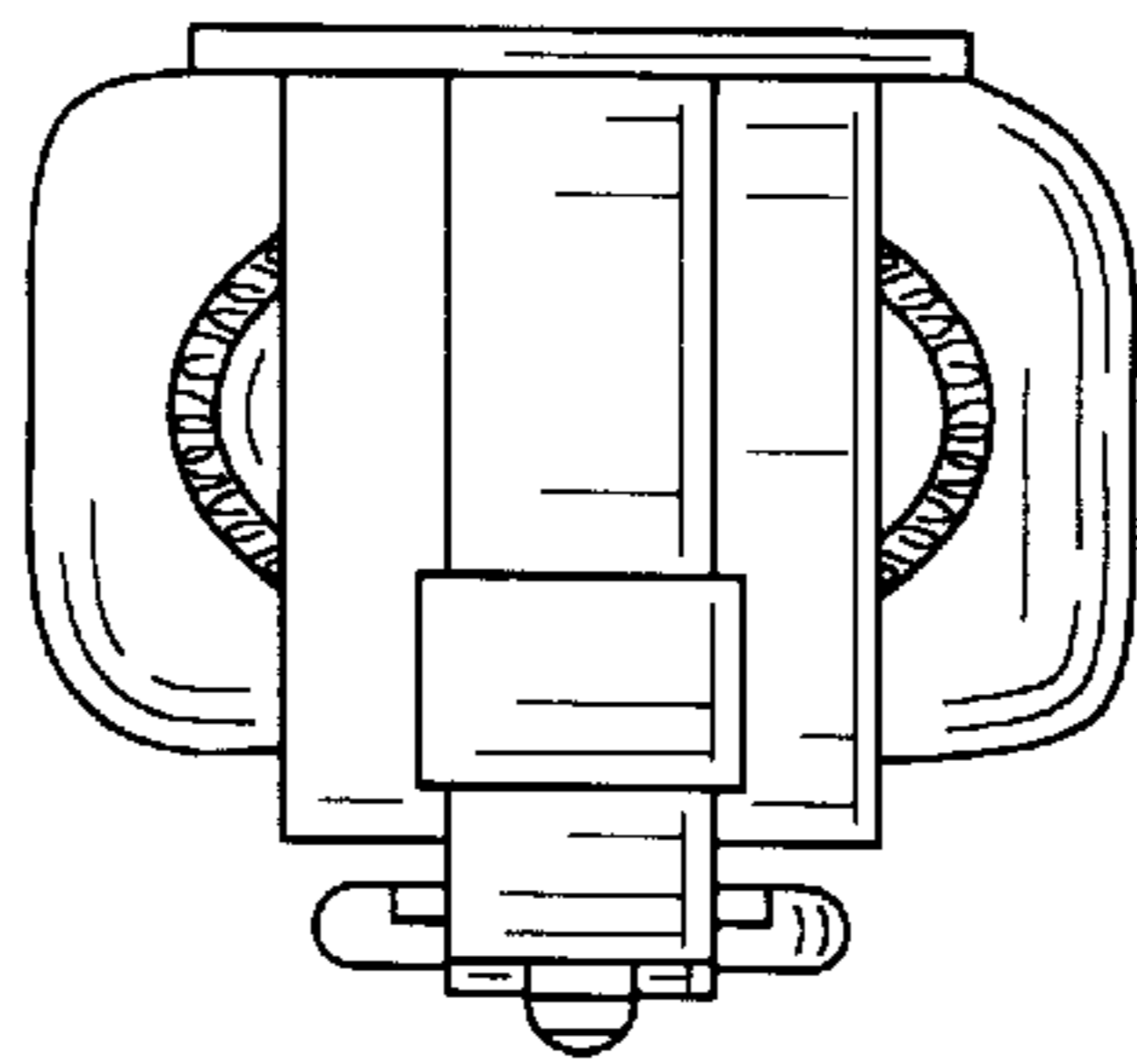


FIG. 6

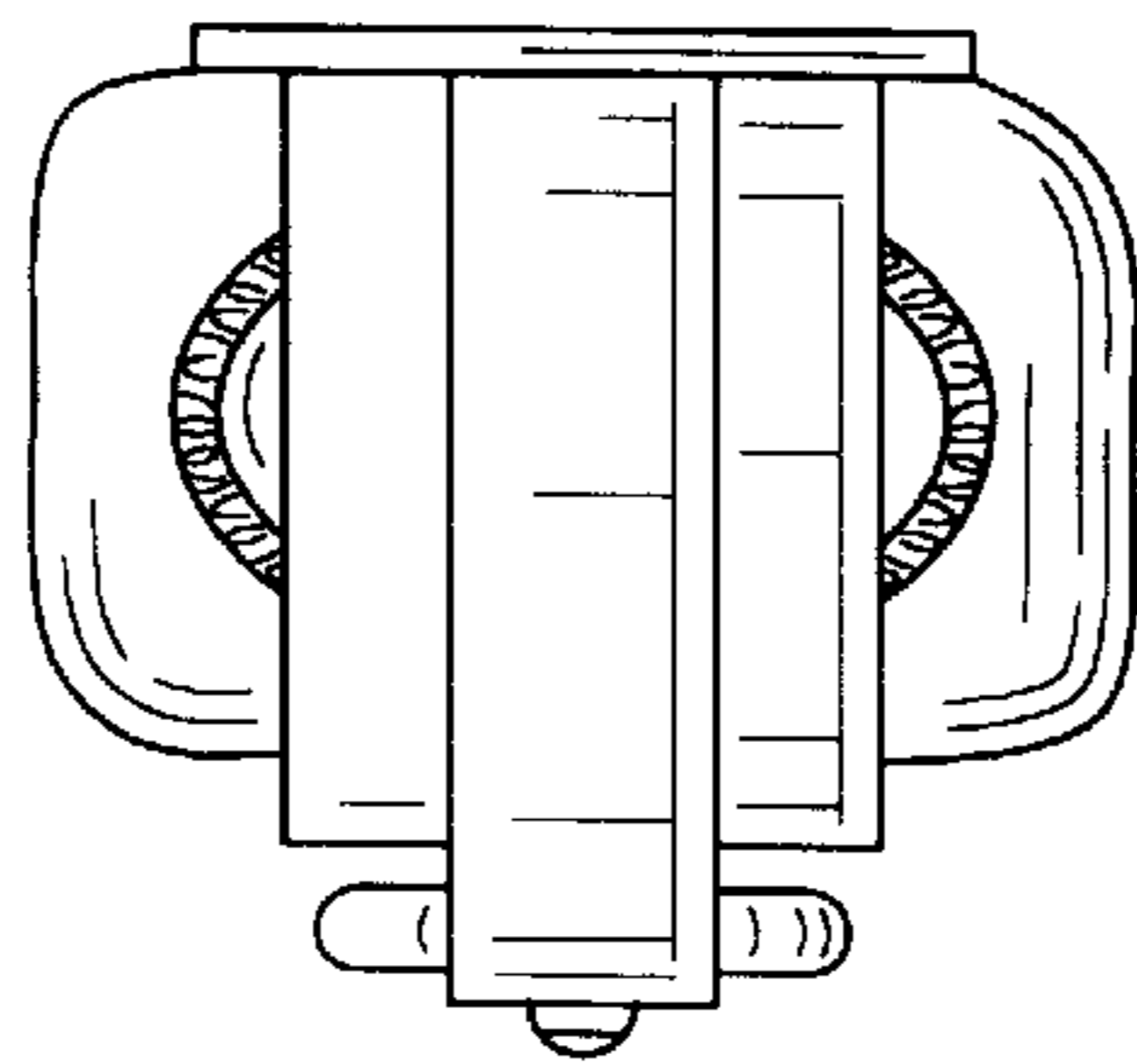


FIG. 7

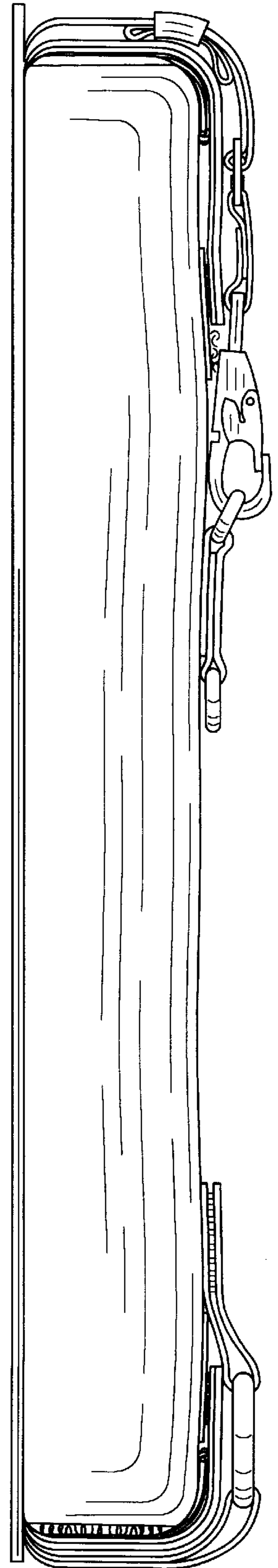


FIG. 5