



US00D449444B1

(12) **United States Design Patent**
Snider

(10) **Patent No.:** **US D449,444 S**

(45) **Date of Patent:** **** Oct. 23, 2001**

(54) **ARTICLE CARRIER**

(75) Inventor: **Gregory S. Snider**, Bel Air, MD (US)

(73) Assignee: **Black & Decker Inc.**, Newark, DE (US)

(**) Term: **14 Years**

(21) Appl. No.: **29/130,039**

(22) Filed: **Sep. 26, 2000**

Related U.S. Application Data

(62) Division of application No. 29/117,823, filed on Jan. 31, 2000.

(51) **LOC (7) Cl.** **03-01**

(52) **U.S. Cl.** **D3/299**

(58) **Field of Search** D3/272, 273, 299,
D3/300, 303, 905; 206/349, 372, 373, 376,
379

(56) **References Cited**

U.S. PATENT DOCUMENTS

D. 214,983	*	8/1969	Knigge	D3/303
D. 239,985		5/1976	Artz	.	
D. 239,986		5/1976	Artz	.	
D. 245,947		10/1977	Finley	.	
D. 266,205		9/1982	Berman	.	
D. 270,784	*	10/1983	Forrester	D3/299
D. 288,624		3/1987	Hoard	.	

(List continued on next page.)

FOREIGN PATENT DOCUMENTS

81 12 879.7		10/1981	(DE)	.
85 01 388.9		4/1985	(DE)	.
87 05 604.6		6/1987	(DE)	.
38 25 195 A1		4/1989	(DE)	.
299 01 393				
U1		5/1999	(DE)	.
0 348 694 B1		9/1995	(EP)	.
WO 93/02586		2/1993	(WO)	.

OTHER PUBLICATIONS

Techni Tool Catalog, No. 37, pp. 17 through 21, and 37, Cases/Tool Kits, 1996.*

Camera Case.

Flash Light Case.

Nite Ize ® Pock-Its Utility Holster—Website Information (3 pages).

Nite Ize ® Mini Pock-Its Utility Holster—Website Information (3 pages).

Nite-Ize Mini Pock-Its Utility Holster and packaging (6 photographs).

Nite Ize Pock-Its and packaging (7 photographs).

Duluth Tool Chisel Roll Cotton—Website Information (1 page).

Duluth Wrench Roll—Website Information (1 page).

Duluth Cotton Wrench Roll; DuckWear Tool Roll; and Tool/Chisel Roll—Duluth Trading Co. (catalog p. 34).

Primary Examiner—Philip S. Hyder

(74) *Attorney, Agent, or Firm*—Harness, Dickey & Pierce, P.L.C.

(57) **CLAIM**

The ornamental design for an article carrier, as shown and described.

DESCRIPTION

FIG. 1 is a front perspective view of the article carrier, in accordance with the ornamental design, illustrated in its closed configuration;

FIG. 2 is a top view thereof;

FIG. 3 is a first side view thereof;

FIG. 4 is a rear view thereof;

FIG. 5 is a front view thereof;

FIG. 6 is a second side view thereof;

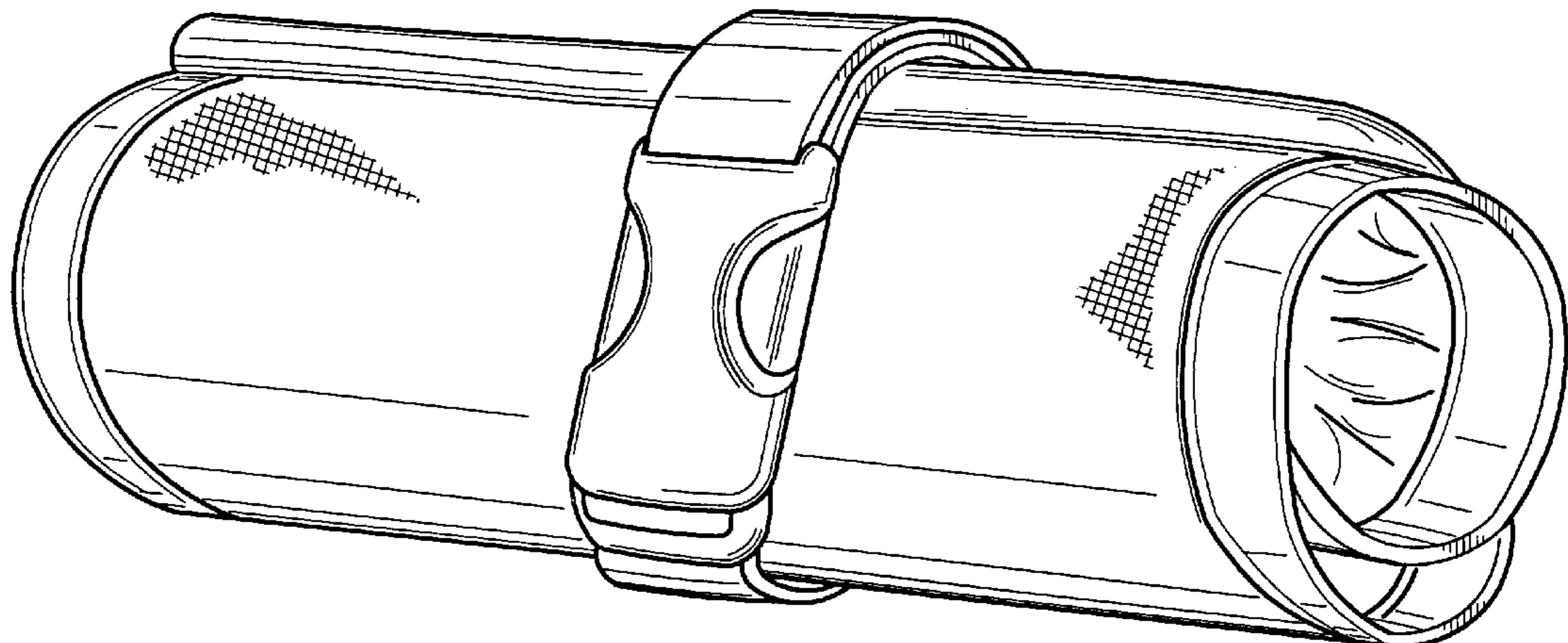
FIG. 7 is a bottom view thereof;

FIG. 8 is a front view with the article carrier illustrated in its open configuration; and,

FIG. 9 is a front view similar to that of FIG. 8, but with the inside flap of the article carrier illustrated in its open configuration.

The broken line showing of the tool bits is for illustrative purposes only and forms no part of the claimed design.

1 Claim, 5 Drawing Sheets



US D449,444 S

Page 2

U.S. PATENT DOCUMENTS			
		2,413,580	12/1946 Perry .
		3,516,585	6/1970 Inwood .
		3,749,233	7/1973 McCormick, Jr. .
		3,949,916	4/1976 Yount .
		3,955,609	5/1976 Siegel .
		4,047,650	9/1977 Domingos .
		4,101,025	7/1978 Jordan 206/377
		4,648,505	3/1987 Belmondo 206/214
		4,773,535	9/1988 Cook 206/373
		4,921,153	5/1990 Smith 224/253
		5,002,401	3/1991 Blackman 383/38
		5,139,143	8/1992 Pond 206/373
		5,423,404	6/1995 Shaw 190/102
		5,711,469	1/1998 Gormley et al. 224/675
D. 291,627	9/1987		Collins .
D. 292,843	11/1987		Frezza .
D. 306,654	3/1990		Brown .
D. 323,937	2/1992		Solomon .
D. 333,913	3/1993		Tuman .
D. 348,776	7/1994		Anderson .
D. 360,977 *	8/1995		Katz D3/905
D. 364,038	11/1995		Stanchin D3/230
D. 368,581	4/1996		Cincotta D3/218
D. 375,629	11/1996		Chen D3/283
D. 378,633	4/1997		Granito D3/228
D. 384,810	10/1997		Kopel D3/226
D. 387,906	12/1997		Petty D3/299
1,094,009 *	4/1914		Parkhurst D3/299
1,506,926	9/1924		Gunter .

* cited by examiner

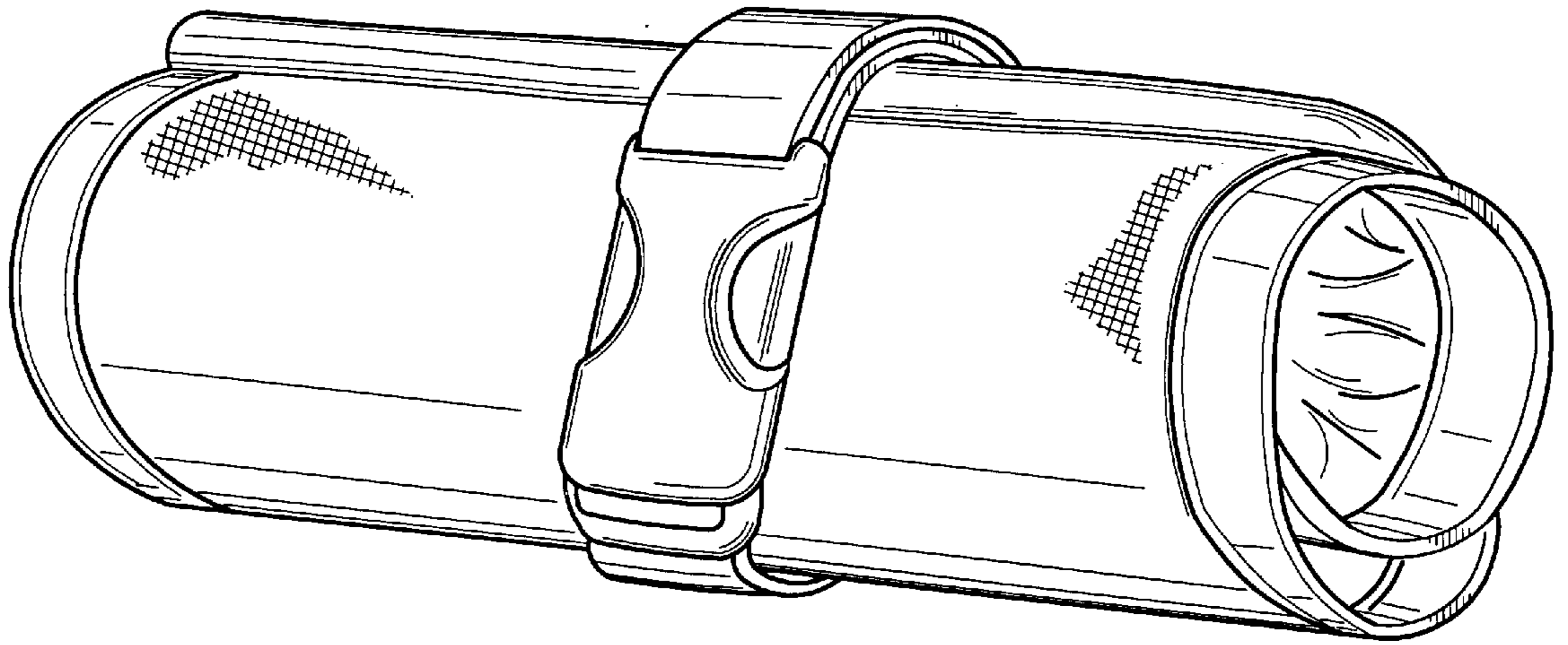


Figure - 1

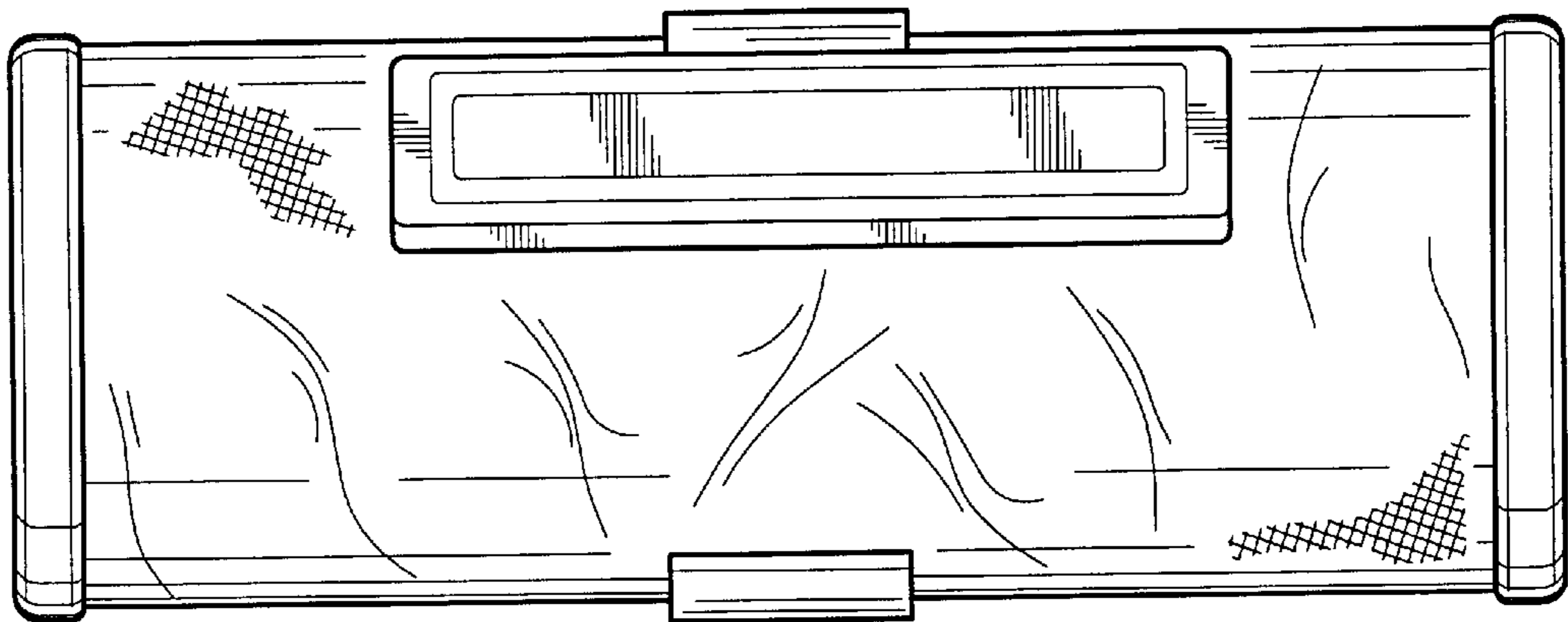


Figure - 2

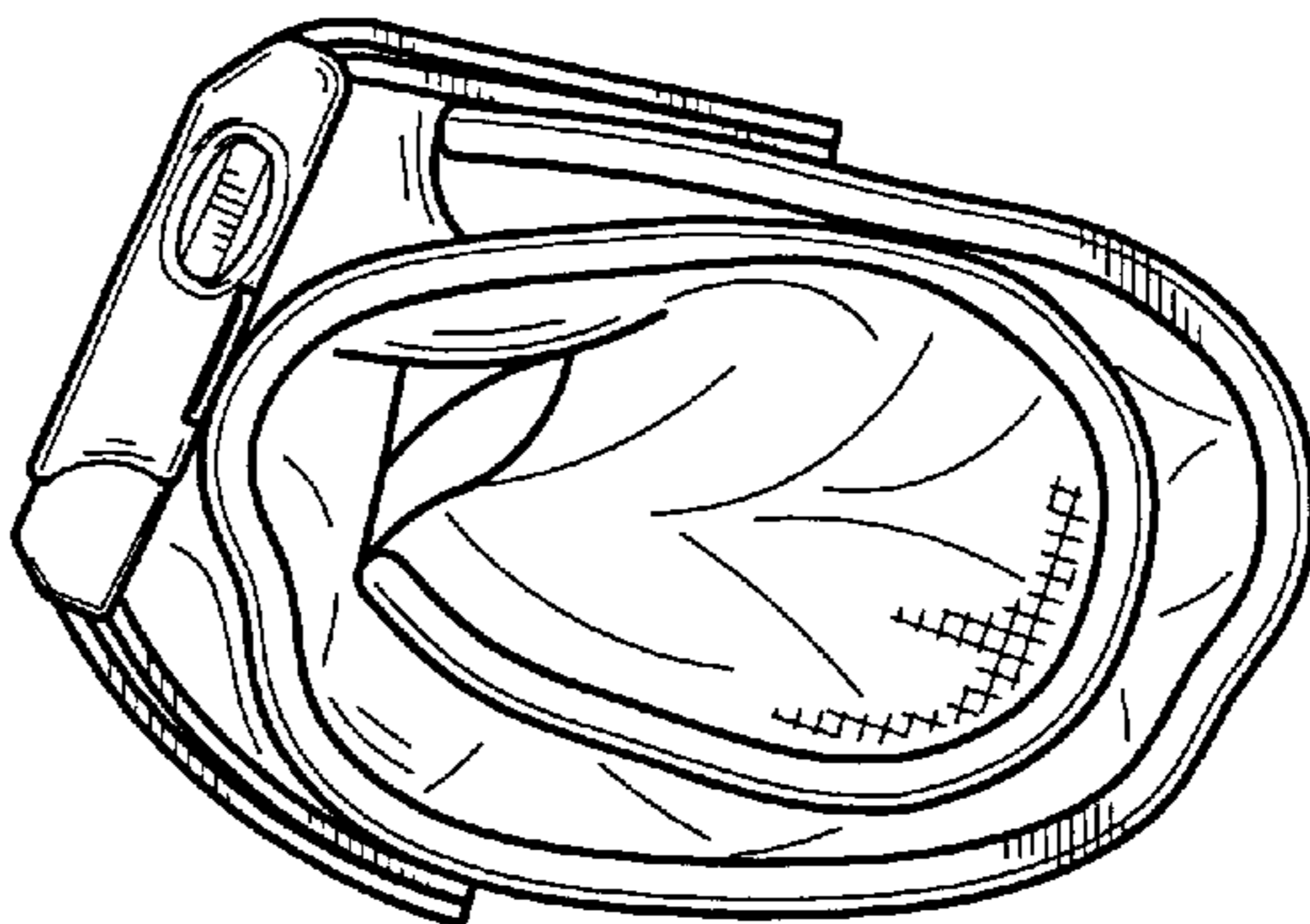


Figure - 3

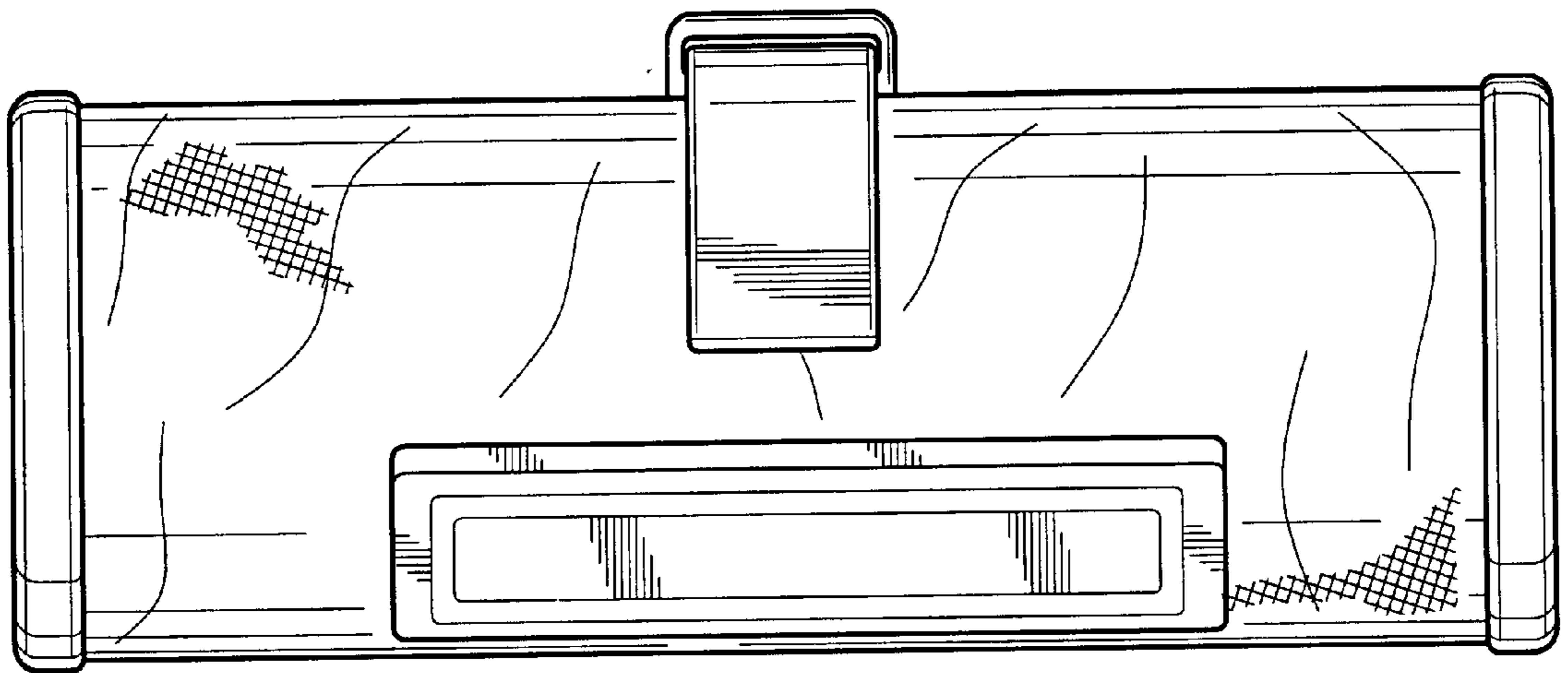


Figure - 4

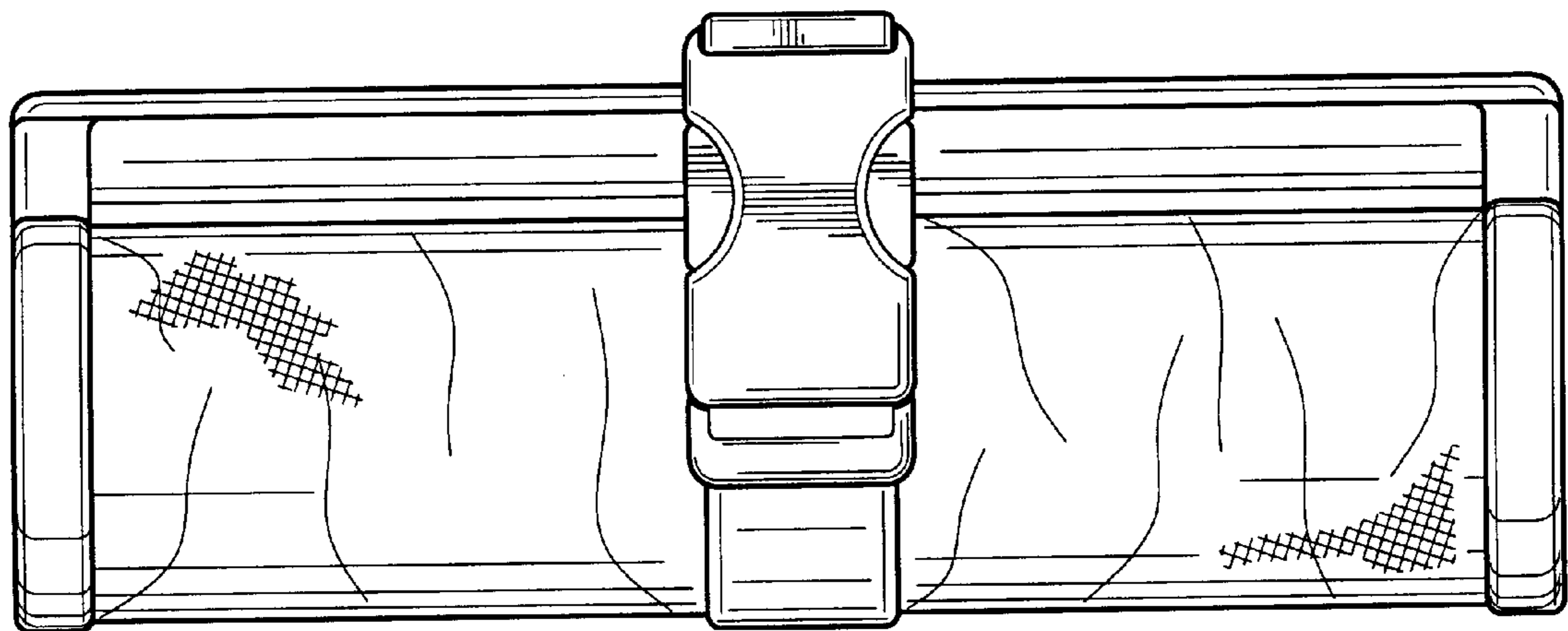


Figure - 5

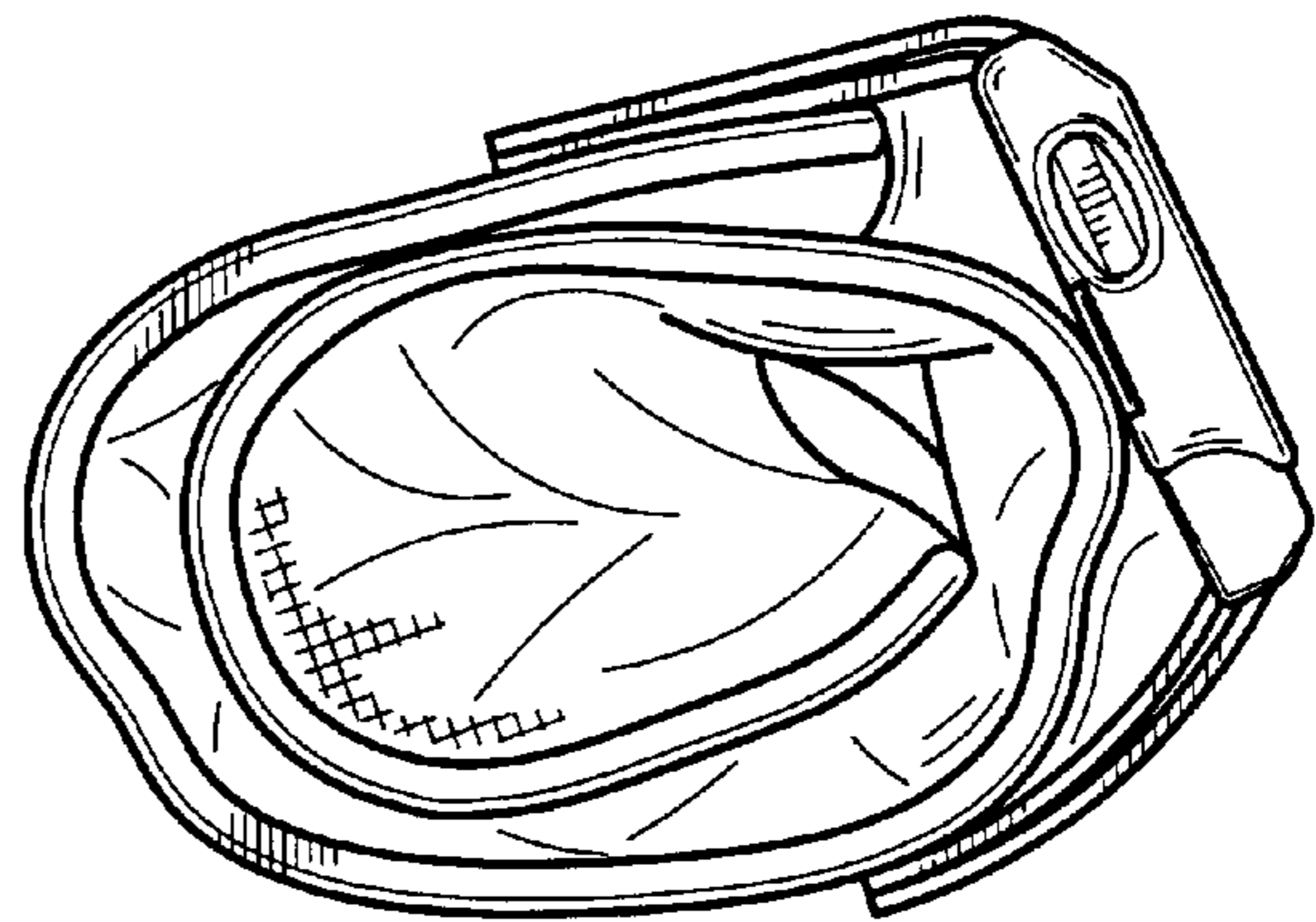


Figure - 6

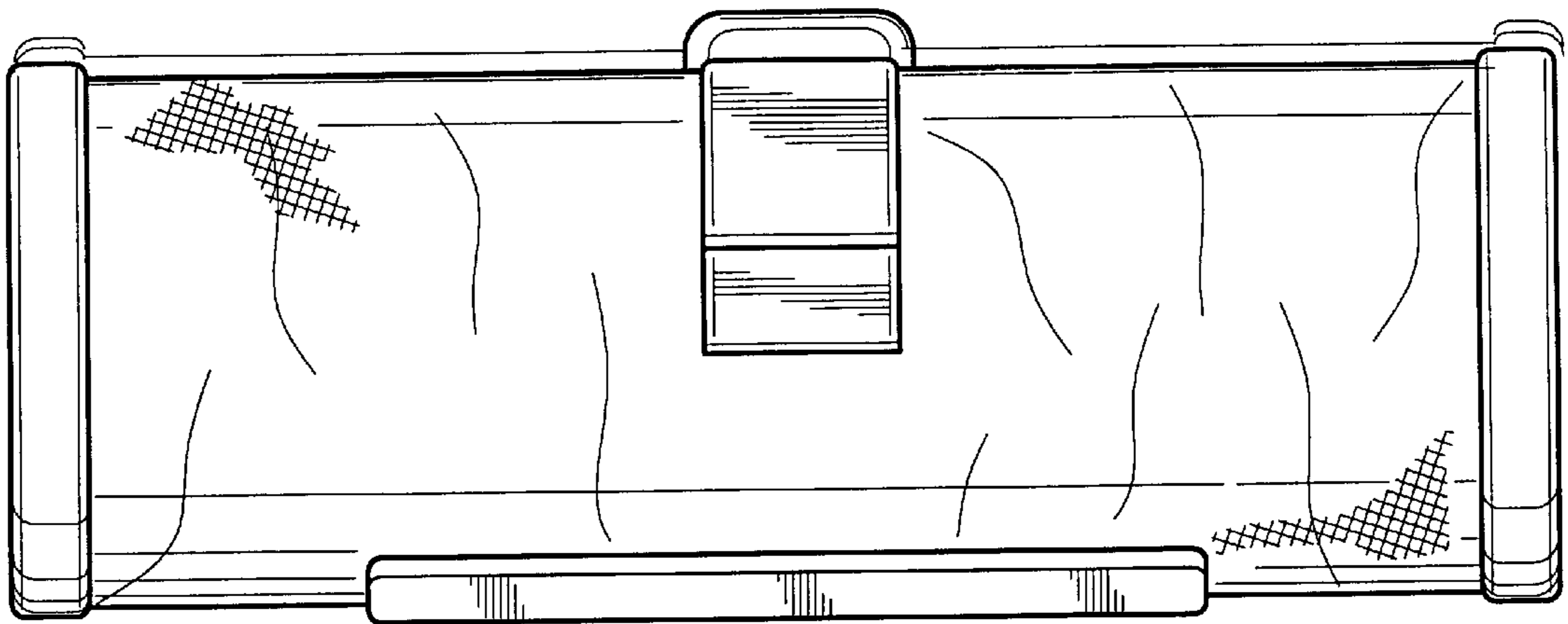


Figure - 7

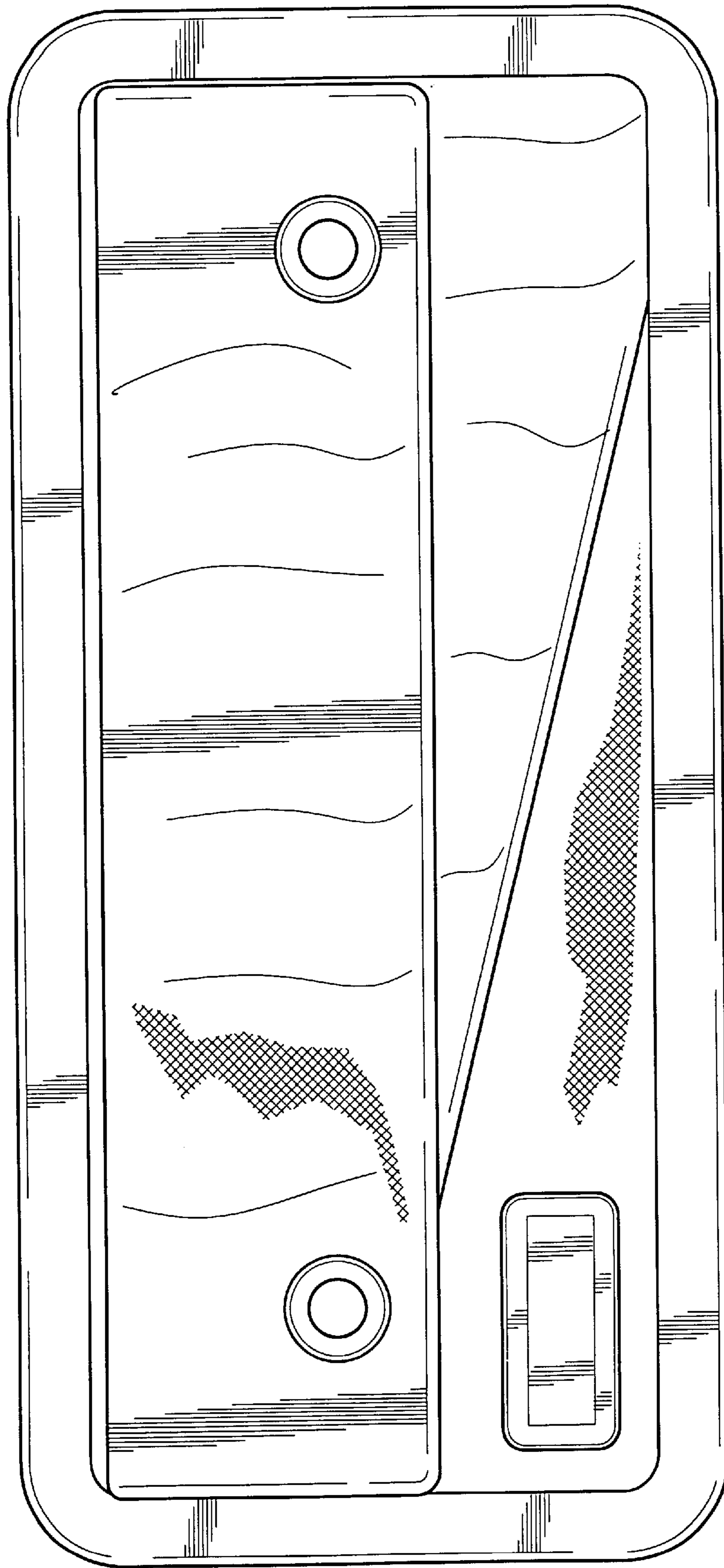


Figure - 8

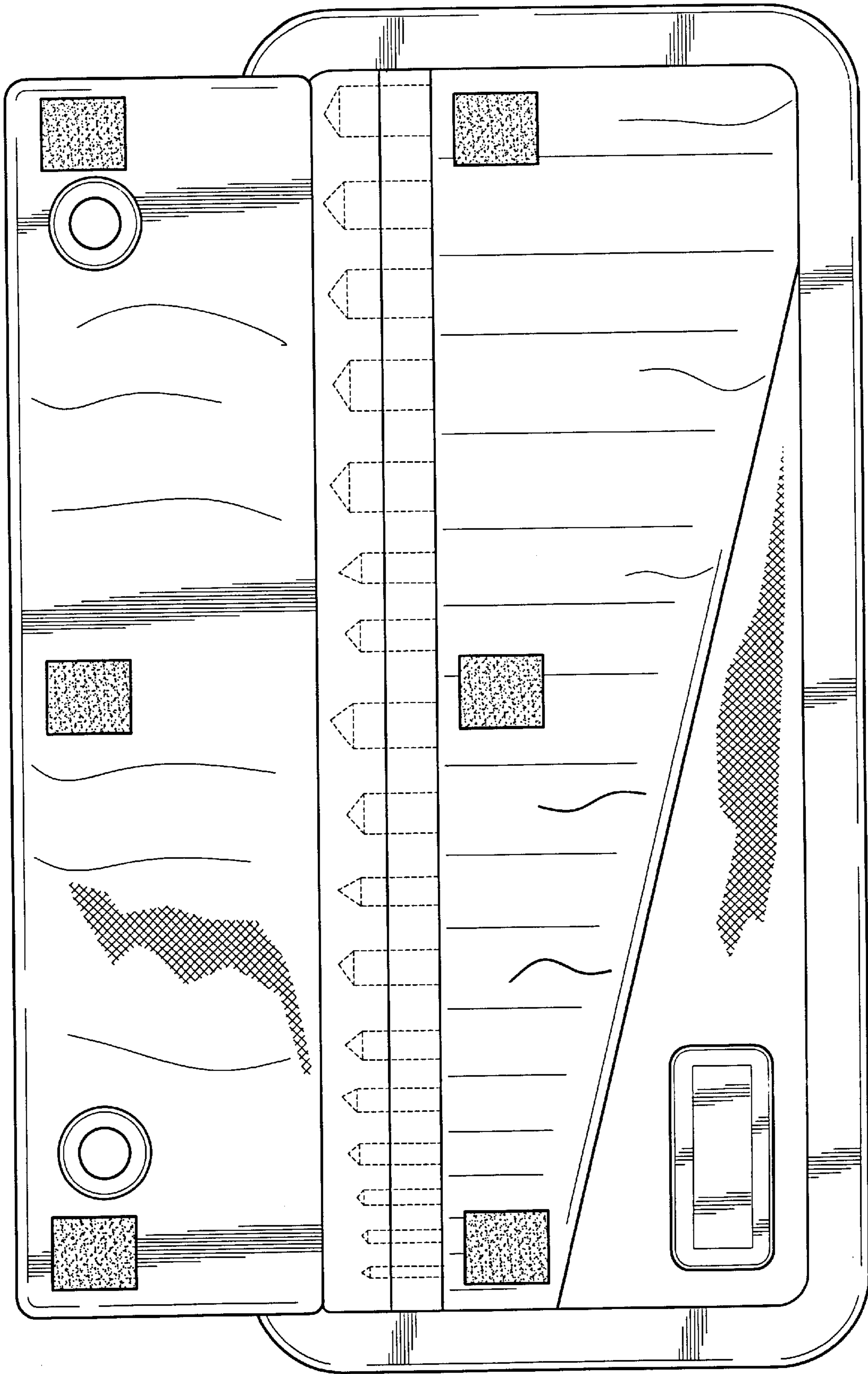


Figure - 9