



US00D449443B2

(12) **United States Design Patent** (10) **Patent No.:** **US D449,443 S**
Snider (45) **Date of Patent:** **** Oct. 23, 2001**

(54) **ARTICLE CARRIER**
(75) Inventor: **Gregory S. Snider**, Bel Air, MD (US)
(73) Assignee: **Black & Decker Inc.**, Newark, DE (US)
(**) Term: **14 Years**
(21) Appl. No.: **29/117,823**
(22) Filed: **Jan. 31, 2000**
(51) **LOC (7) Cl.** **03-01**
(52) **U.S. Cl.** **D3/299; D3/905**
(58) **Field of Search** **D3/272, 273, 299, D3/300, 303, 905; 206/349, 372, 373, 376, 379**

0 348 694 B1 8/1995 (EP) .
WO 93/02586 2/1993 (WO) .

OTHER PUBLICATIONS

Techni Tool Catalog, No. 37, pp. 17 through 21, and 37, Cases/Tool Kits, 1996.*
Camera Case no dates.
Flash Light Case no dates.
Nite Ize® Pock-Its Utility Holster—Website Information (3 pages) no dates.
Nite Ize® Mini Pock-Its Utility Holster—Website Information (3 pages) no dates.

(List continued on next page.)

Primary Examiner—Philip S. Hyder
(74) *Attorney, Agent, or Firm*—Harness, Dickey & Pierce, P.L.C.

(56) **References Cited**

U.S. PATENT DOCUMENTS

D. 239,985 5/1976 Artz .
D. 239,986 5/1976 Artz .
D. 245,947 10/1977 Finley .
D. 266,205 9/1982 Berman .
D. 270,784 * 10/1983 Forrester D3/299
D. 288,624 3/1987 Hoard .
D. 291,627 9/1987 Collins .
D. 292,843 11/1987 Frezza .
D. 306,654 3/1990 Brown .
D. 323,937 2/1992 Solomon .
D. 333,913 3/1993 Tuman .
D. 348,776 7/1994 Anderson .
D. 360,977 * 8/1995 Katz D3/905
D. 364,038 11/1995 Stanchin D3/230
D. 368,581 4/1996 Cincotta D3/218

(List continued on next page.)

FOREIGN PATENT DOCUMENTS

81 12 879.7 10/1981 (DE) .
85 01 388.9 4/1985 (DE) .
87 05 604.6 6/1987 (DE) .
38 25 195 A1 4/1989 (DE) .
299 01 393
U1 5/1999 (DE) .

(57) **CLAIM**

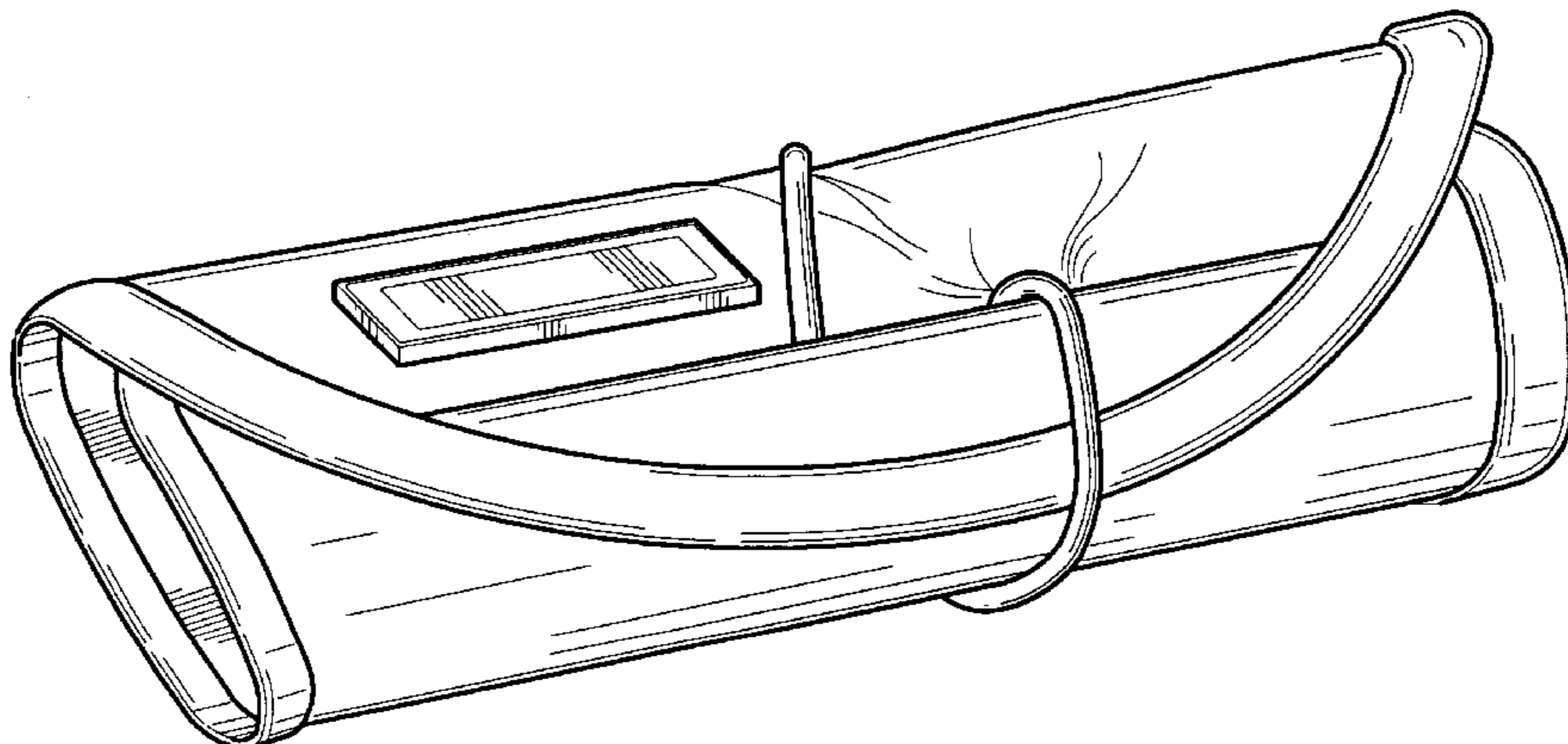
The ornamental design for an article carrier, as shown and described.

DESCRIPTION

FIG. 1 is a front exterior perspective view of the article carrier, in accordance with the ornamental design, illustrated in its closed configuration;
FIG. 2 is a front view thereof;
FIG. 3 is a rear view thereof;
FIG. 4 is a top view thereof;
FIG. 5 is a bottom view thereof;
FIG. 6 is a first side view thereof;
FIG. 7 is a second side view thereof;
FIG. 8 is a front view with the article carrier illustrated in its open configuration;
FIG. 9 is a rear view with the article carrier illustrated in its open configuration; and,
FIG. 10 is a front view similar to that of FIG. 8, but with the inside flap of the article carrier illustrated in its open configuration.

The broken line showing of the tool bits is for illustrative purposes only and forms no part of the claimed design.

1 Claim, 6 Drawing Sheets



U.S. PATENT DOCUMENTS

D. 375,629	11/1996	Chen	D3/283
D. 378,633	4/1997	Granito	D3/228
D. 384,810	10/1997	Kopel	D3/226
D. 387,906	12/1997	Petty	D3/299
1,094,009 *	4/1914	Parkhurst	D3/299
1,506,926	9/1924	Gunter .	
2,413,580	12/1946	Perry .	
3,516,585	6/1970	Inwood	224/584
3,749,233	7/1973	McCormick, Jr. .	
3,949,916	4/1976	Yount .	
3,955,609	5/1976	Siegel .	
4,047,650	9/1977	Domingos .	
4,101,025	7/1978	Jordan	206/377
4,648,505	3/1987	Belmondo	206/214
4,773,535	9/1988	Cook	206/373
4,921,153	5/1990	Smith	224/253

5,002,401	3/1991	Blackman	383/38
5,139,143	8/1992	Pond	206/373
5,423,404	6/1995	Shaw	190/102
5,711,469	1/1998	Gormley et al.	224/675

OTHER PUBLICATIONS

- Nite Ize Mini Pock-Its Utility Holster and packaging (6 photographs) no dates.
- Nite Ize Pock-Its and packaging (7 photographs) no dates.
- Duluth Tool Chisel Roll Cotton—Website Information (1 page) no dates.
- Duluth Wrench Roll—Website Information (1 page) no dates.
- Duluth Cotton Wrench Roll; DuckWear Tool Roll; and Tool/Chisel Roll—Duluth Trading Co. (catalog p. 34).

* cited by examiner

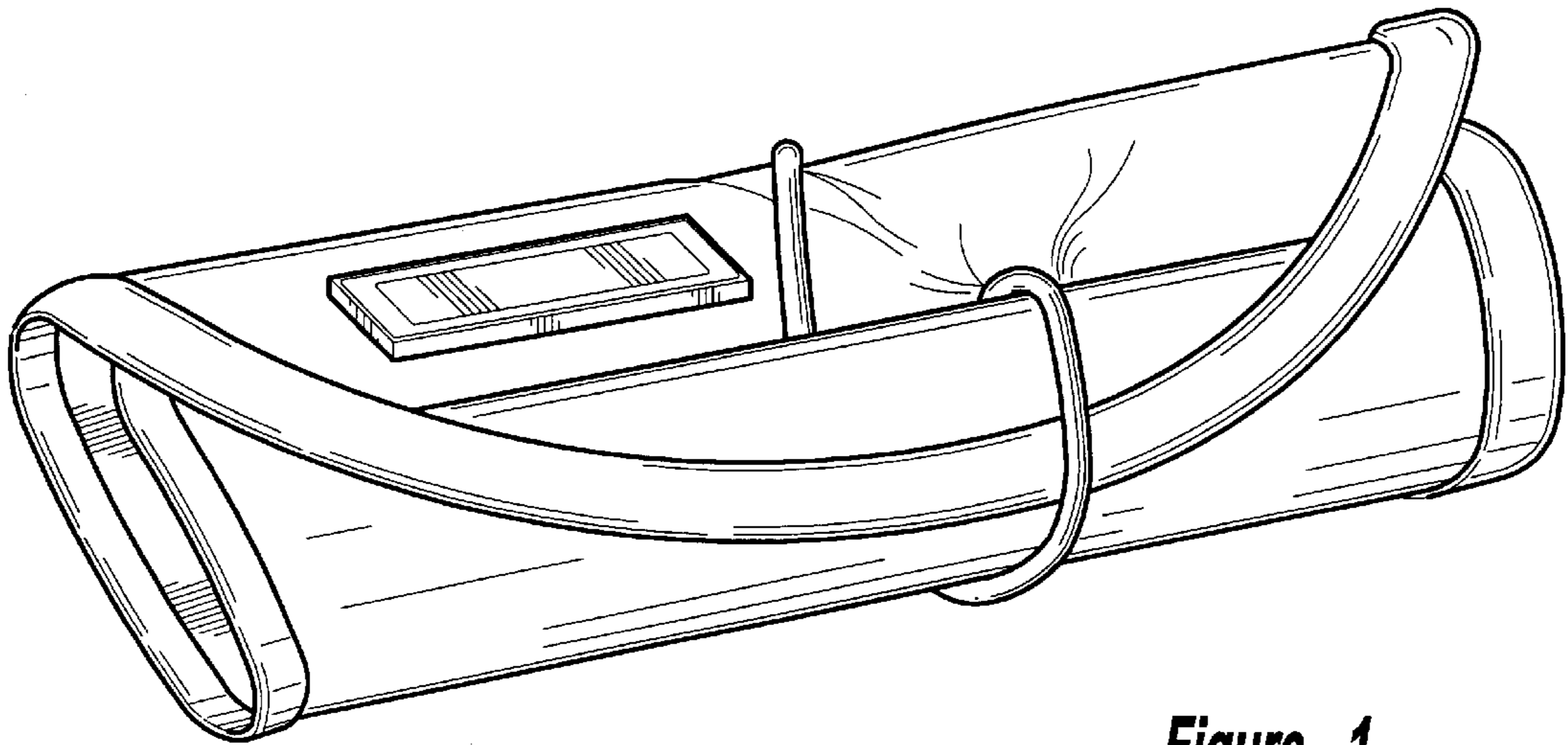


Figure - 1

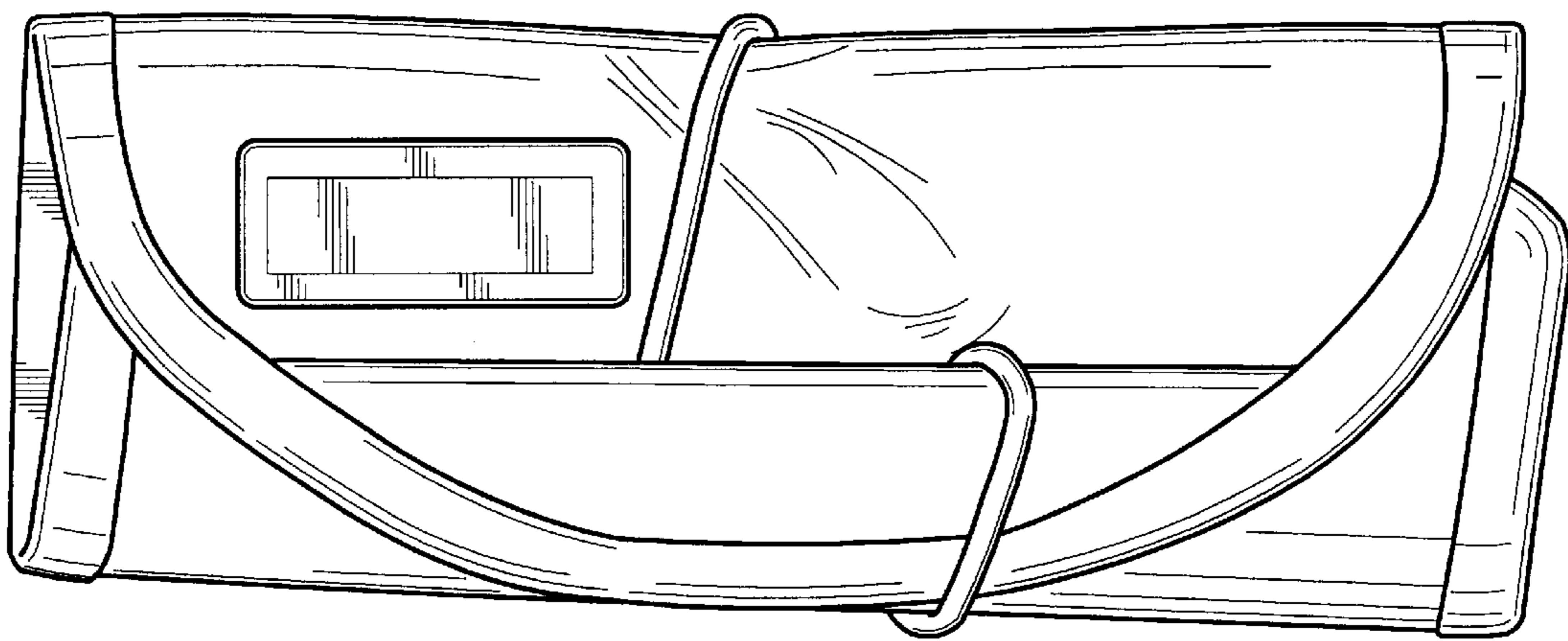


Figure - 2

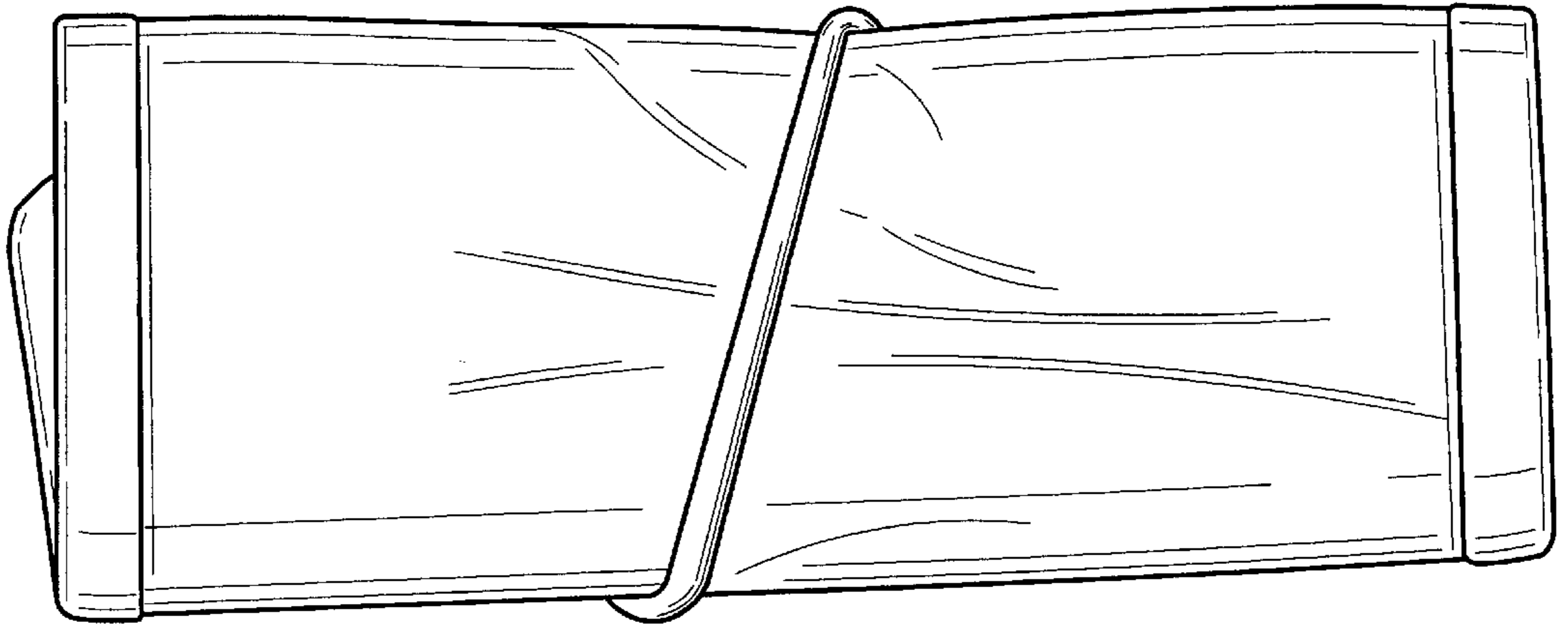


Figure - 3

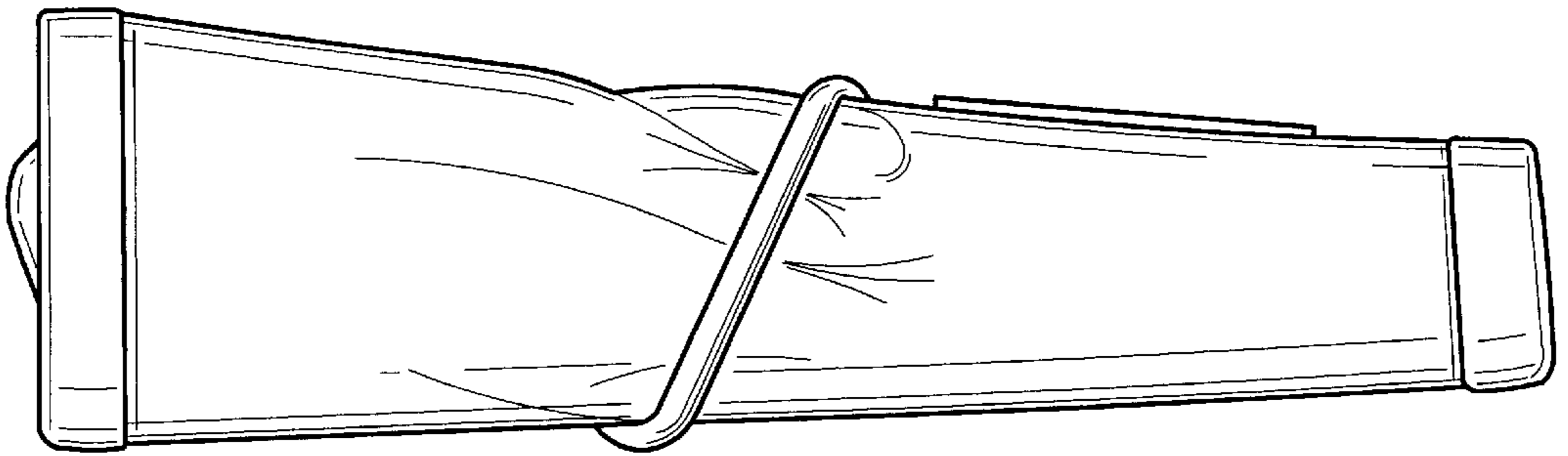


Figure - 4

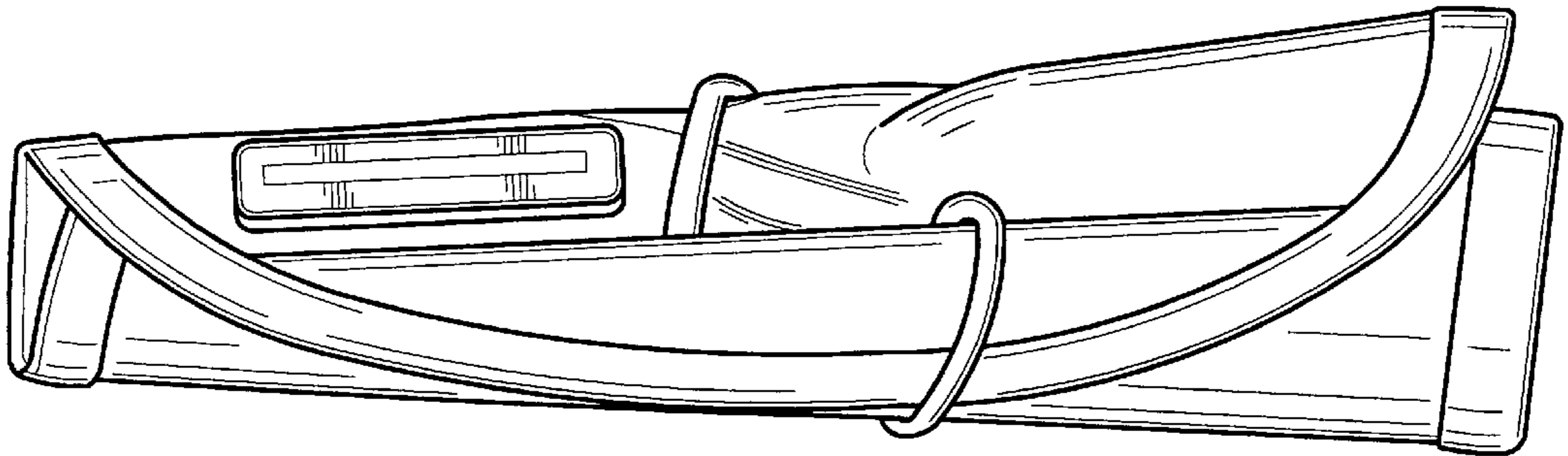


Figure - 5

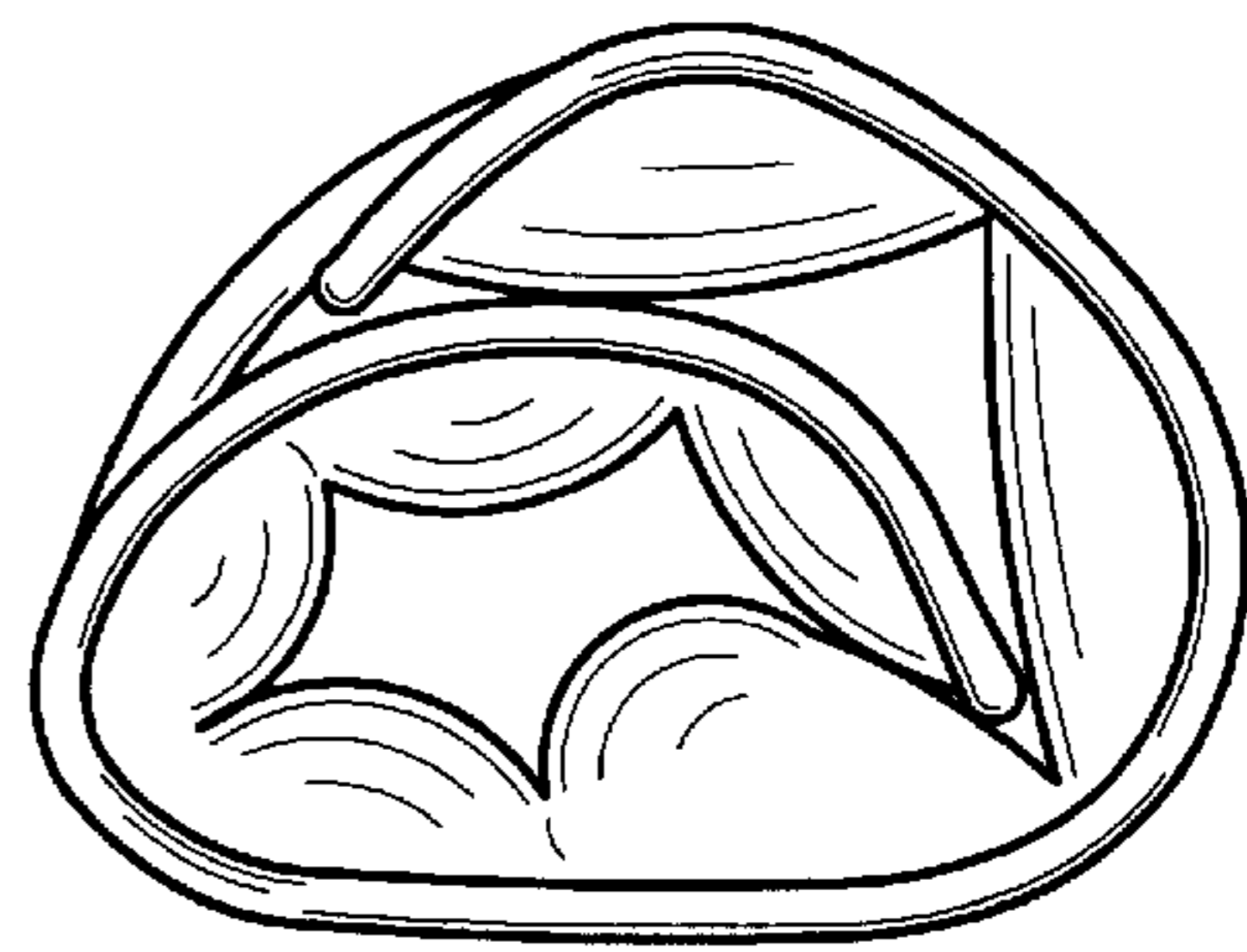


Figure - 6

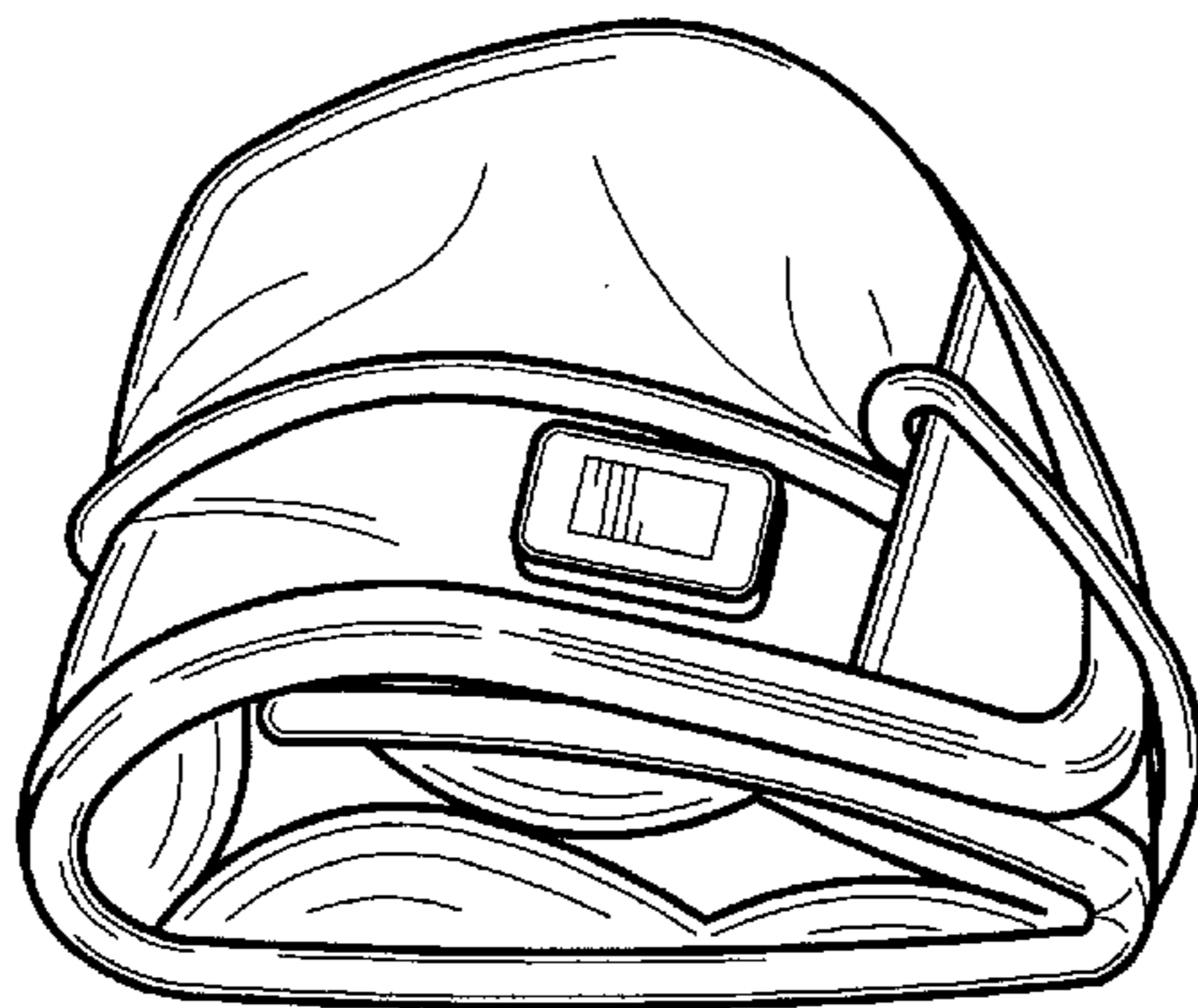


Figure - 7

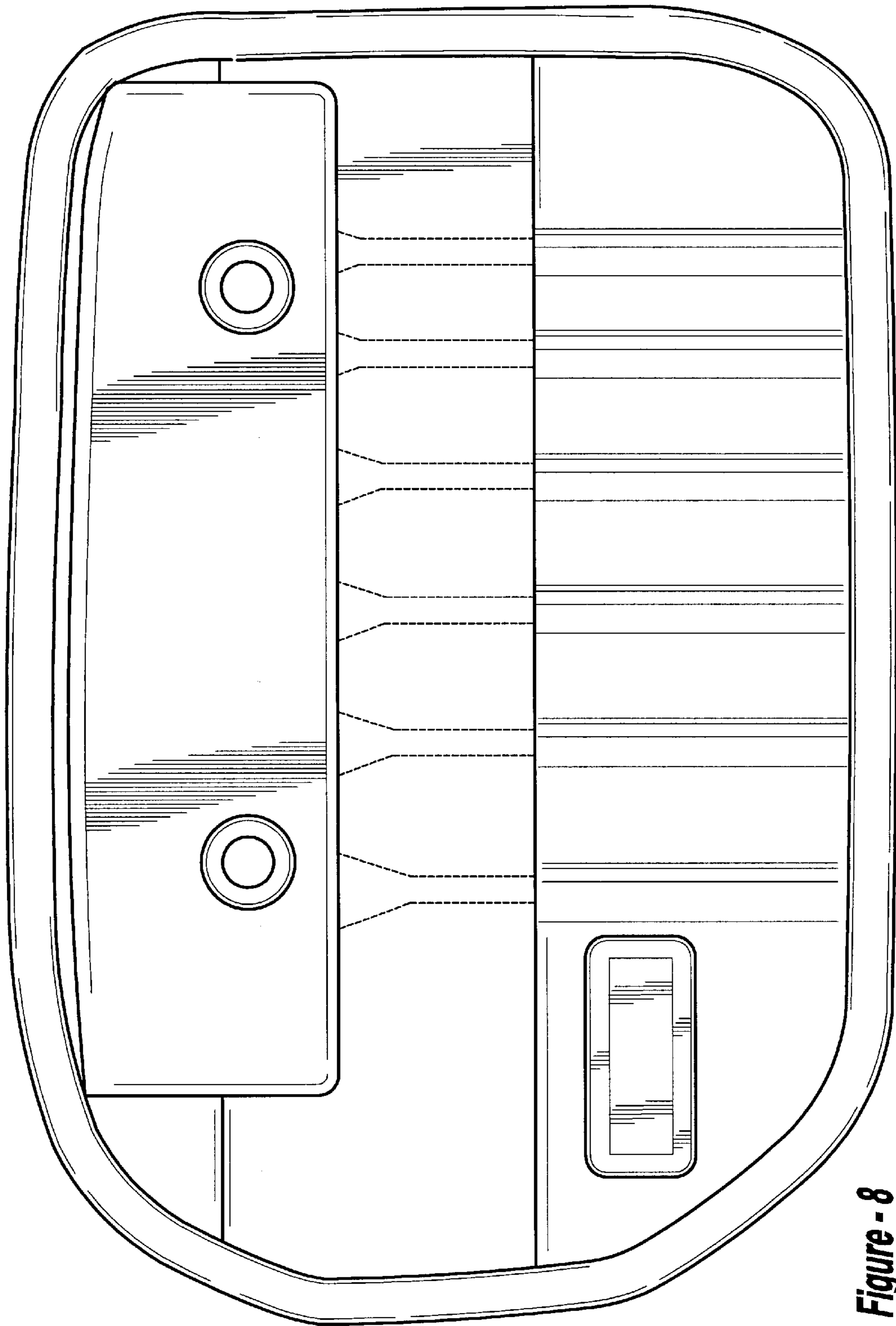


Figure - 8

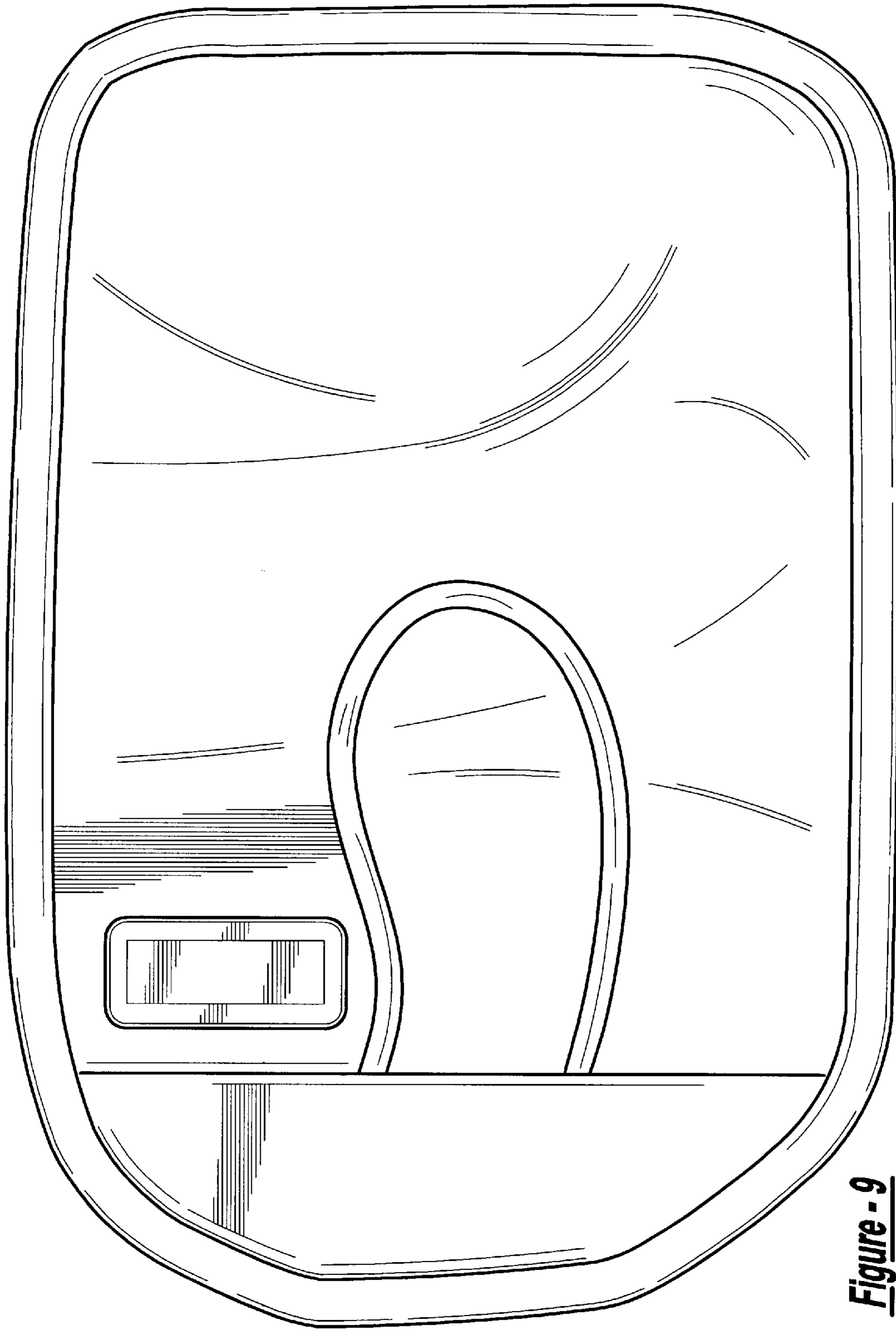


Figure - 9

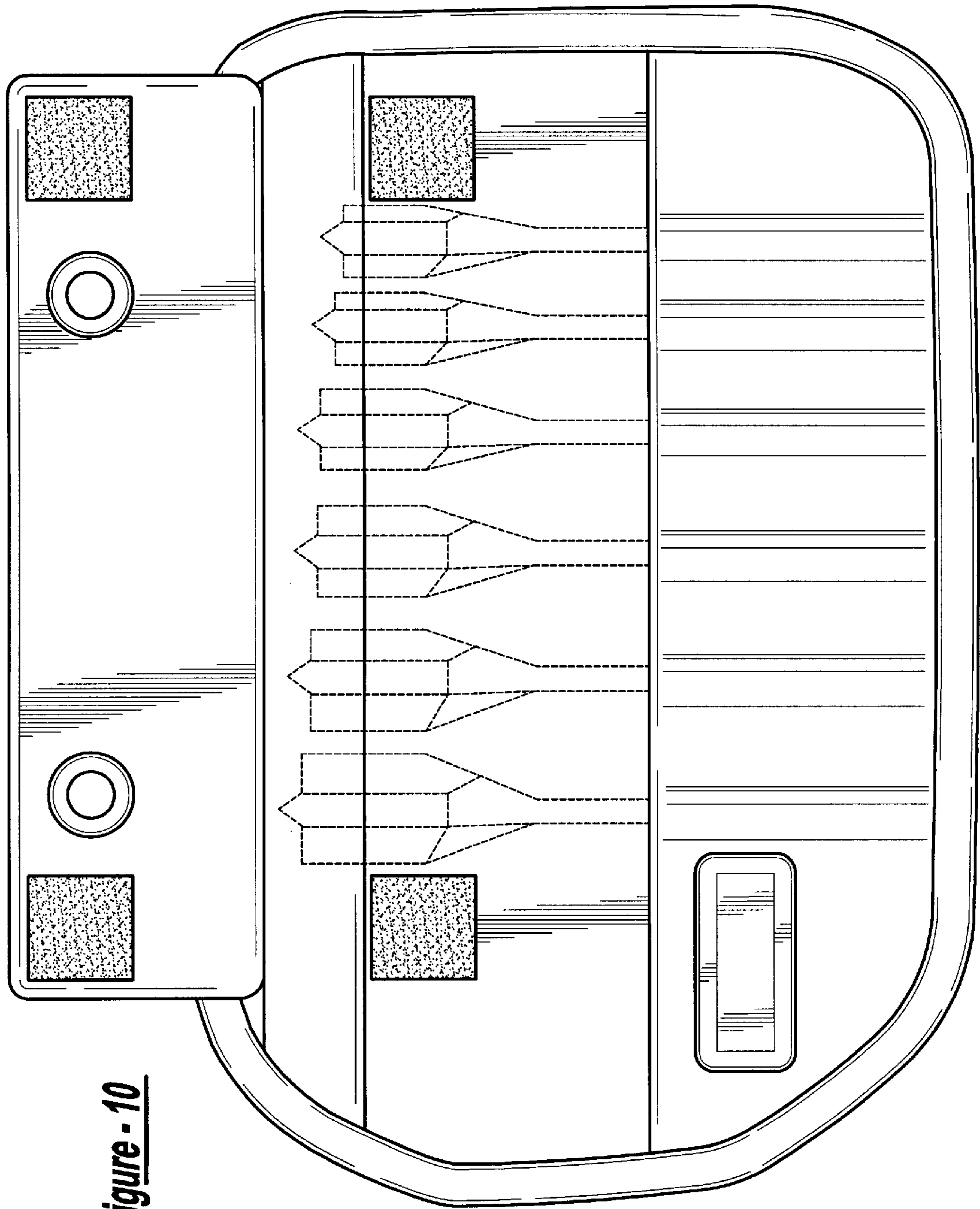


Figure - 10