



US00D449440B1

(12) **United States Design Patent**
Fair

(10) **Patent No.:** **US D449,440 S**

(45) **Date of Patent:** **** Oct. 23, 2001**

(54) **INFANT FRAME CARRIER**

(75) Inventor: **Paul Fair**, Denver, CO (US)

(73) Assignee: **Evenflo Company, Inc.**, Vandalia, OH (US)

(**) Term: **14 Years**

(21) Appl. No.: **29/112,820**

(22) Filed: **Oct. 25, 1999**

(51) **LOC (7) Cl.** **03-99**

(52) **U.S. Cl.** **D3/214; D3/213**

(58) **Field of Search** D3/213, 214; D6/333, D6/491, 500; D12/129, 133; 135/88.01, 88.02; 224/153, 158, 576, 155, 161; 280/47.38, 47.41, 642; 297/184.13; 400/102

(56) **References Cited**

U.S. PATENT DOCUMENTS

| | | | | | |
|------------|---|---------|-----------------|-------|---------|
| D. 365,925 | * | 1/1996 | Roan | | D3/214 |
| D. 378,017 | * | 2/1997 | Svendsen et al. | | D3/214 |
| D. 385,696 | * | 11/1997 | Fair | | D3/214 |
| D. 394,546 | * | 5/1998 | Svendsen et al. | | D3/214 |
| D. 409,373 | | 5/1999 | Fair et al. | . | |
| 4,747,526 | * | 5/1988 | Launes | | 224/155 |
| 5,609,279 | | 3/1997 | O'Shea | . | |
| 5,626,271 | * | 5/1997 | Messey et al. | | 224/161 |
| 5,662,339 | | 9/1997 | Svendsen et al. | . | |

| | | | | | |
|-----------|---|---------|-----------------|-------|---------|
| 5,695,100 | | 12/1997 | O'Brien | . | |
| 5,848,741 | | 12/1998 | Fair | . | |
| 5,868,292 | * | 2/1999 | Stephens et al. | | 224/161 |
| 5,934,529 | | 8/1999 | O'Brien | . | |
| 5,964,470 | | 10/1999 | Svendsen et al. | . | |
| 6,158,641 | * | 12/2000 | Eyman et al. | | 224/577 |

* cited by examiner

Primary Examiner—Celia Murphy

(74) *Attorney, Agent, or Firm*—Thompson Hine LLP

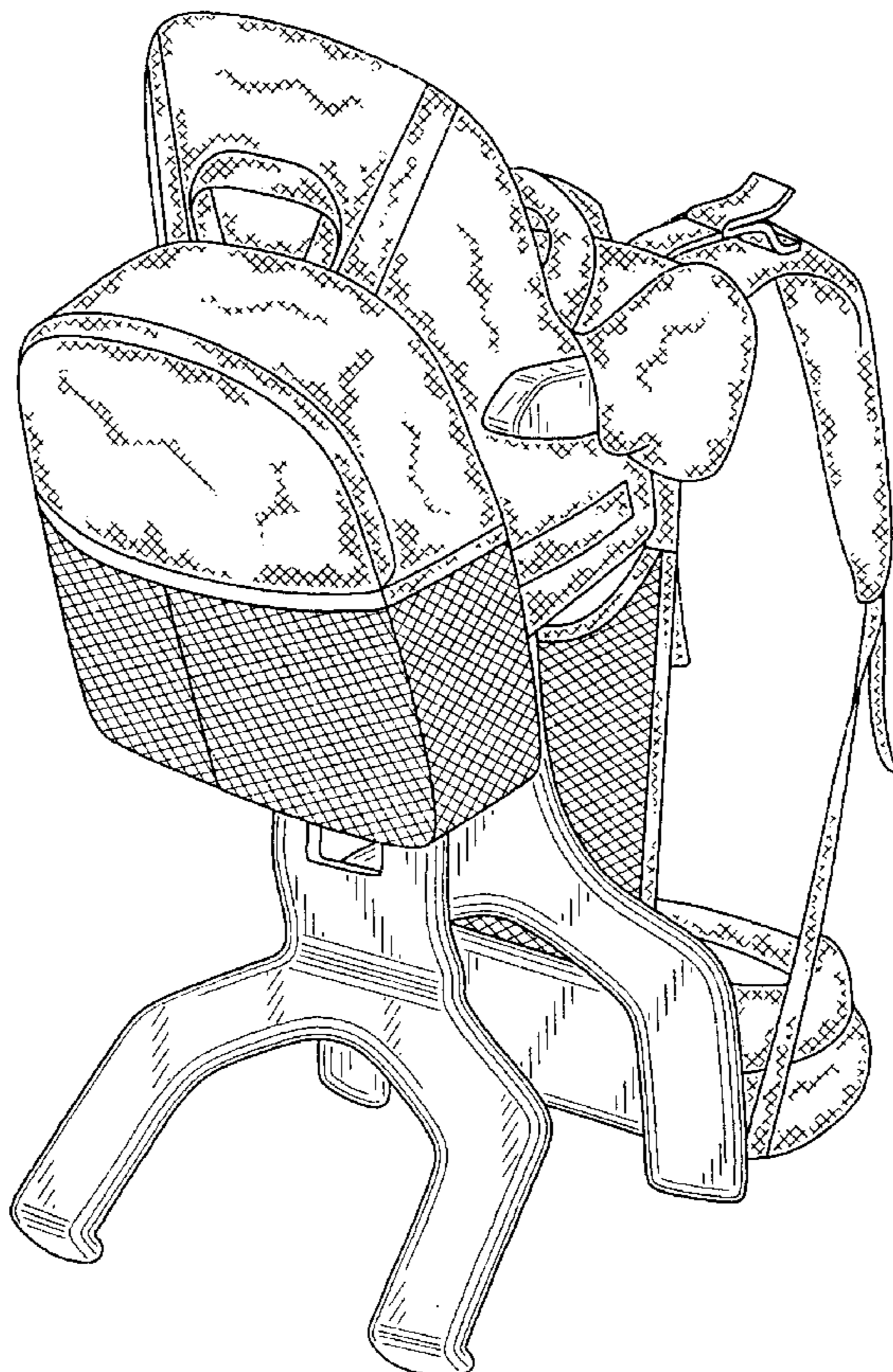
(57) **CLAIM**

The ornamental design for an infant frame carrier, as shown and described.

DESCRIPTION

FIG. 1 is a rear perspective view of an infant frame carrier showing my new design;
 FIG. 2 is a front elevational view of the infant frame carrier of FIG. 1;
 FIG. 3 is a top plan view of the infant frame carrier of FIG. 1;
 FIG. 4 is a bottom plan view of the infant frame carrier of FIG. 1;
 FIG. 5 is a side elevational view of the infant frame carrier of FIG. 1; and,
 FIG. 6 is a rear elevational view of the infant frame carrier of FIG. 1.

1 Claim, 5 Drawing Sheets



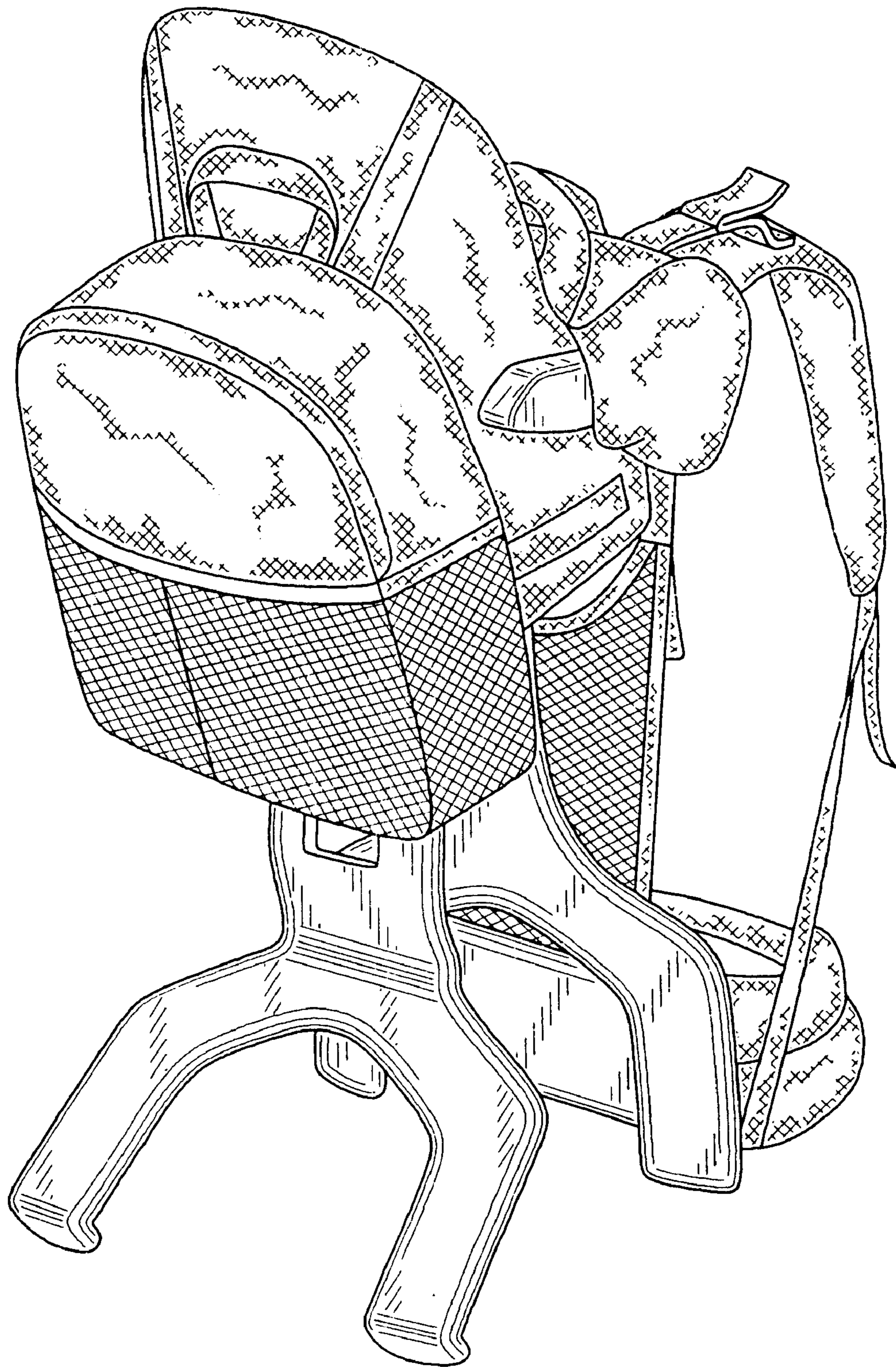


FIG. 1

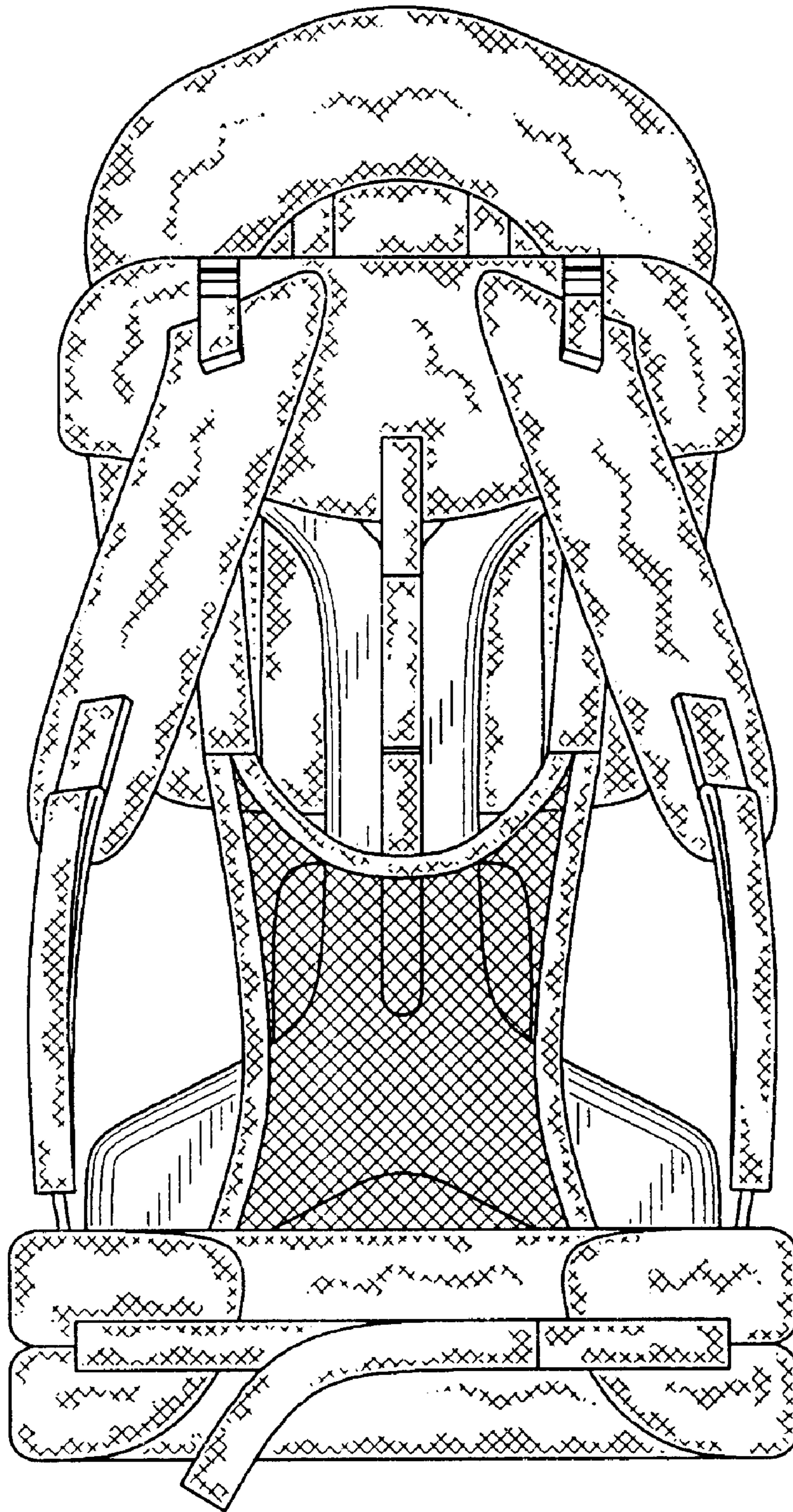


FIG. 2

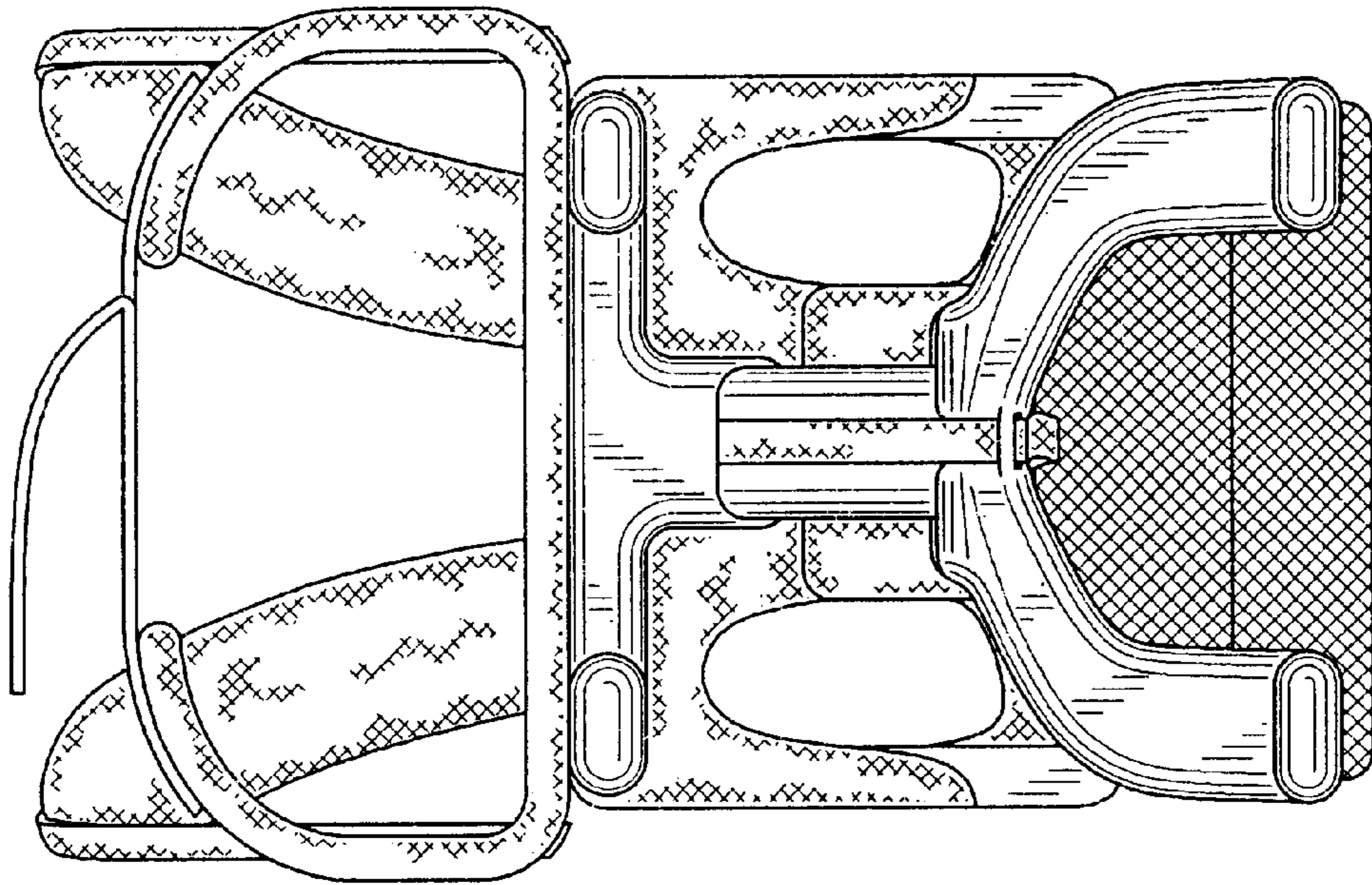


FIG. 4

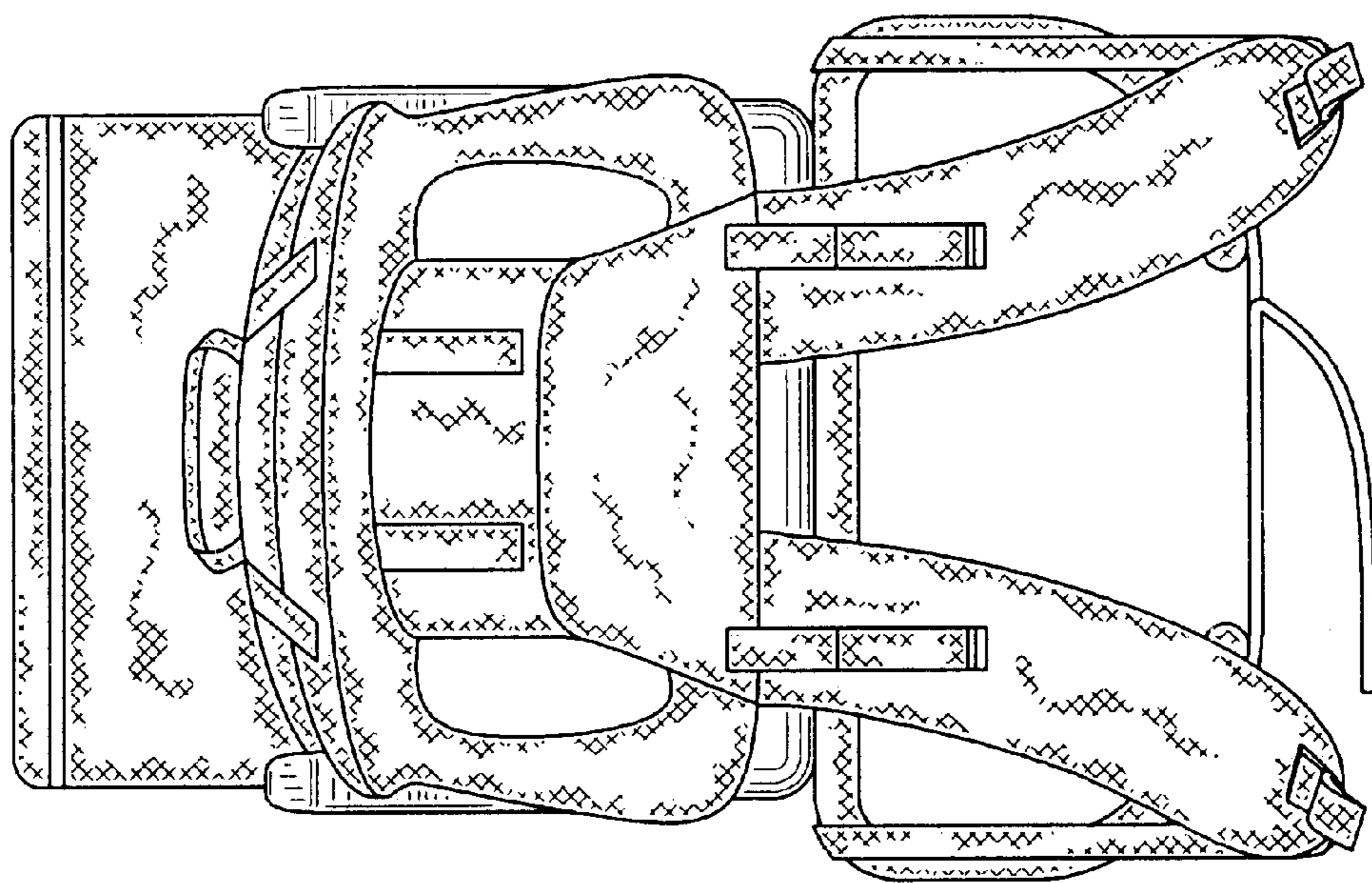


FIG. 3

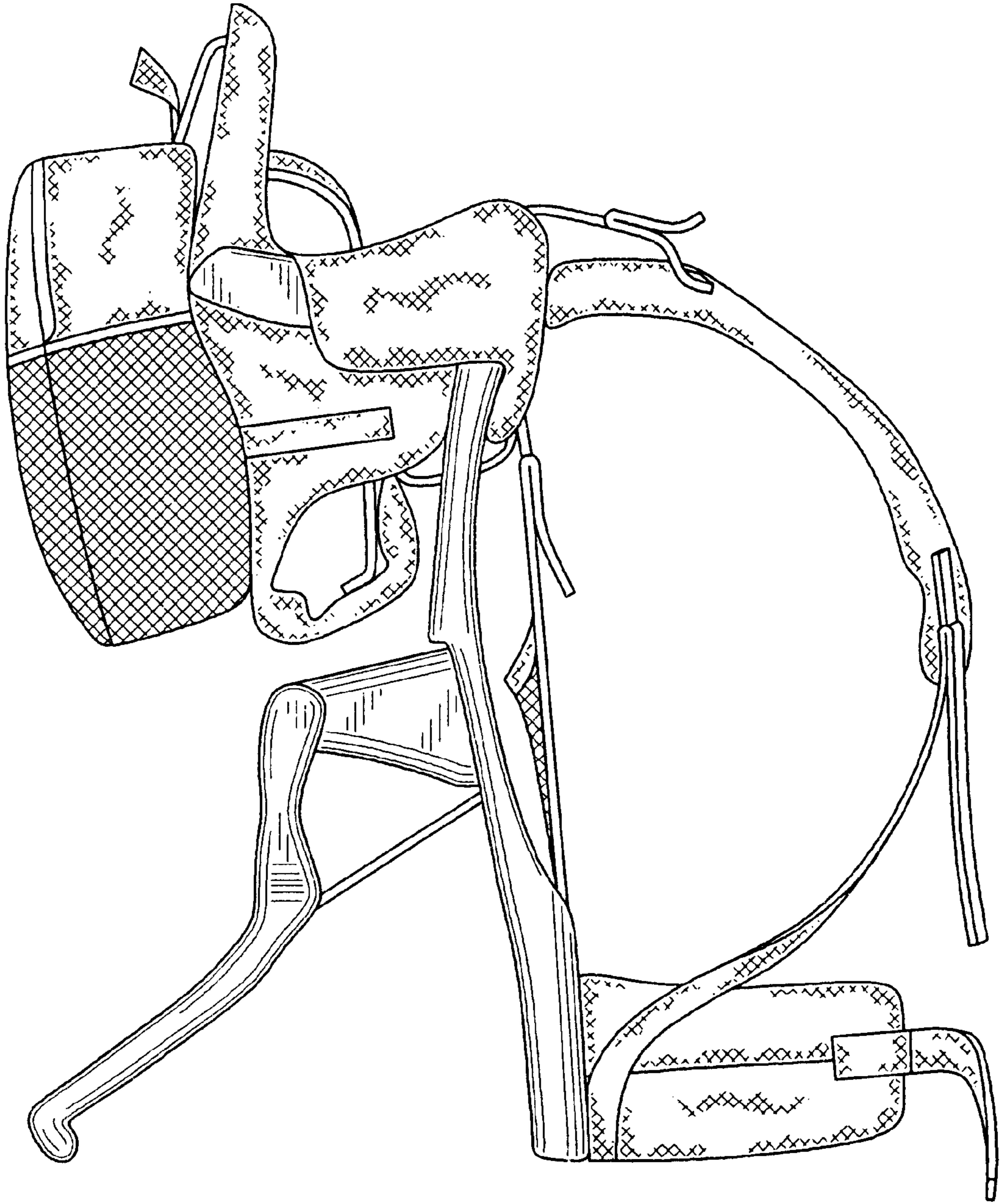


FIG. 5

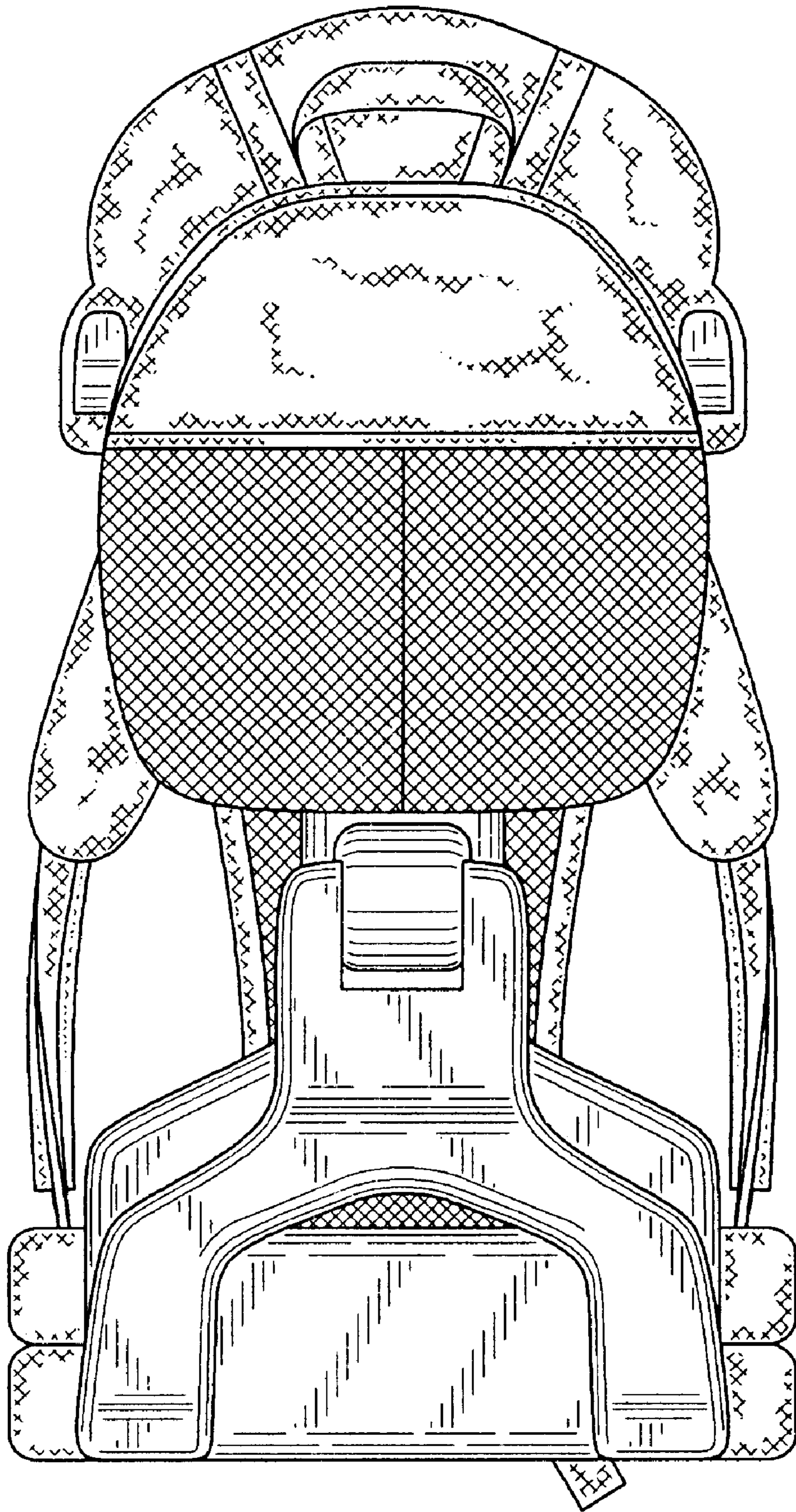


FIG. 6