



US00D449437B2

(12) **United States Design Patent**
Leung

(10) **Patent No.:** **US D449,437 S**

(45) **Date of Patent:** **** Oct. 23, 2001**

(54) **KEYCHAIN WITH LIGHT**

(75) **Inventor:** **Vincent Leung, N.T. (CN)**

(73) **Assignee:** **Masterwise International Limited,**
Hong Kong (CN)

(**) **Term:** **14 Years**

(21) **Appl. No.:** **29/120,650**

(22) **Filed:** **Mar. 23, 2000**

(51) **LOC (7) Cl.** **03-01**

(52) **U.S. Cl.** **D3/209**

(58) **Field of Search** D3/207-209; D26/37,
D26/36; 70/456 R; D22/109, 116; 362/155-158,
183-191, 194-208

(56) **References Cited**

U.S. PATENT DOCUMENTS

- D. 298,658 * 11/1988 Roberts et al. D26/37
- D. 327,954 * 7/1992 Lawrence D26/37
- D. 332,839 * 1/1993 Beckner, Jr. D26/37

- D. 336,350 * 6/1993 Stearns et al. D26/37
- D. 353,042 * 12/1994 Orina D3/209
- D. 358,676 * 5/1995 Roberts et al. D26/37

* cited by examiner

Primary Examiner—Ralf Seifert

(74) *Attorney, Agent, or Firm*—Alix, Yale & Ristas, LLP

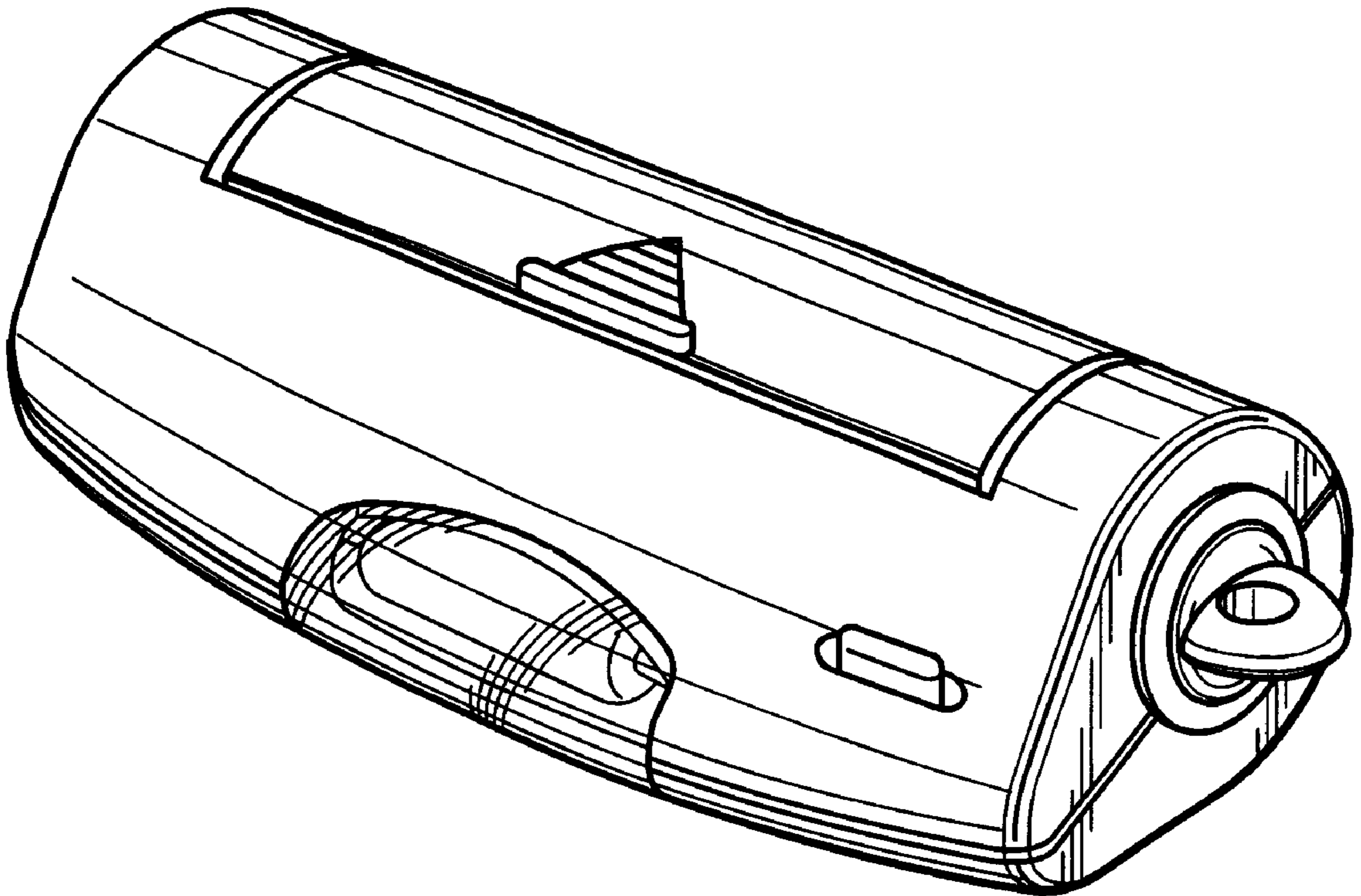
(57) **CLAIM**

The ornamental design for a keychain with light, as shown and described.

DESCRIPTION

FIG. 1 is a perspective view from one side of a keychain with light showing my new design;
 FIG. 2 is a perspective view from other side thereof;
 FIG. 3 is a front elevational view thereof;
 FIG. 4 is a top plan view thereof;
 FIG. 5 is a bottom plan view thereof;
 FIG. 6 is a rear elevational view thereof;
 FIG. 7 is a left side elevational view thereof; and,
 FIG. 8 is a right side elevational view.

1 Claim, 2 Drawing Sheets



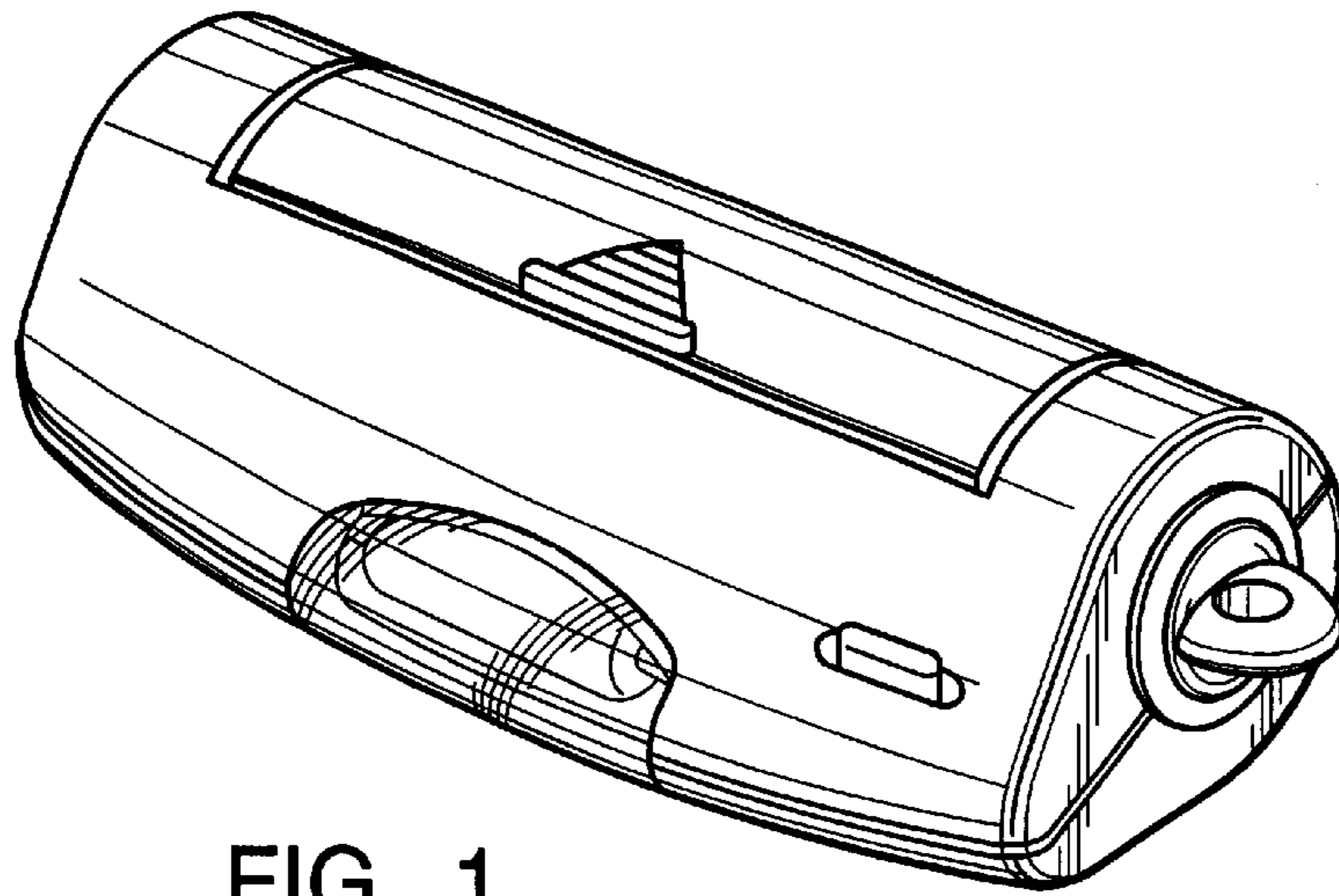


FIG. 1

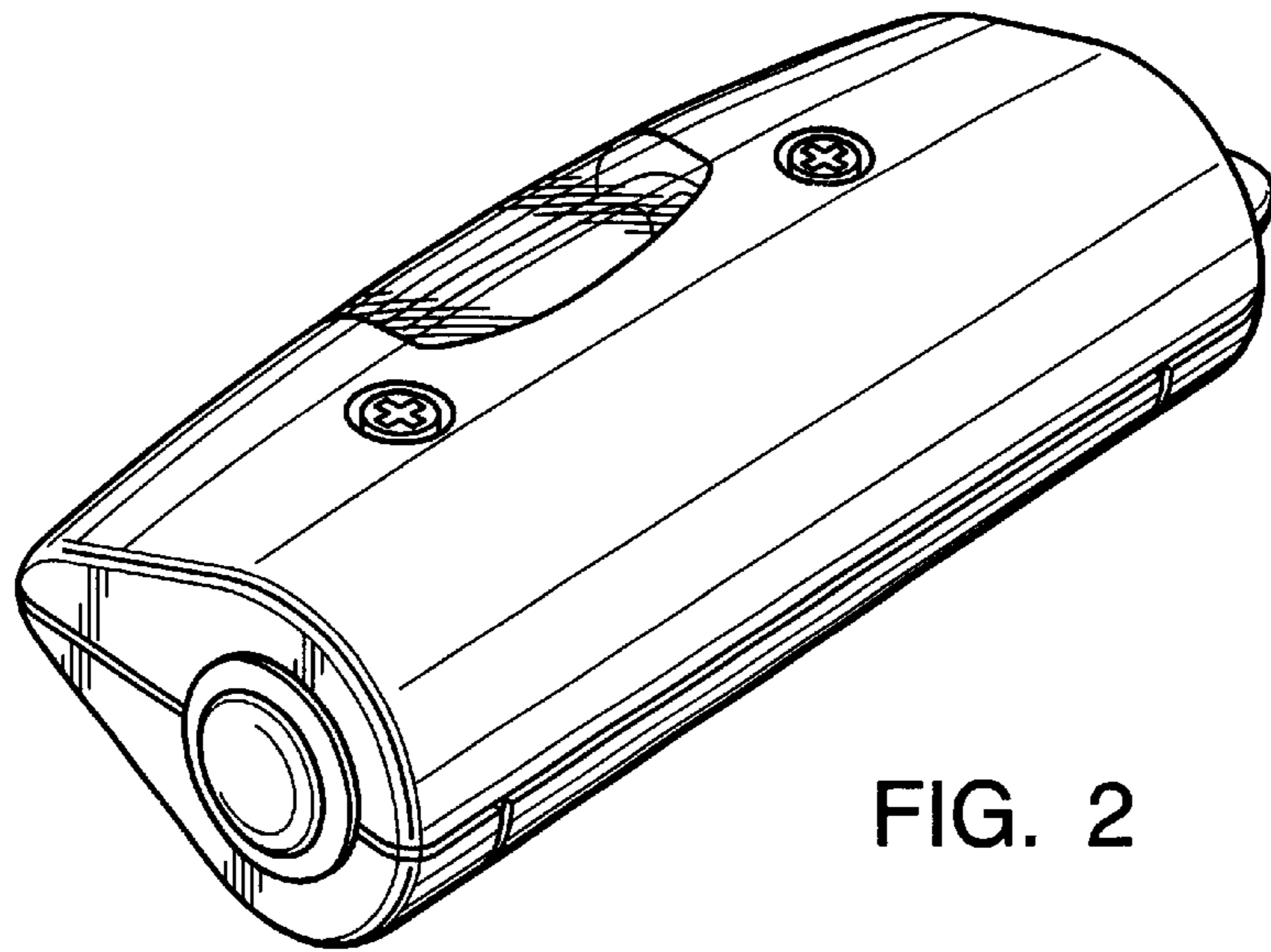


FIG. 2

FIG. 7

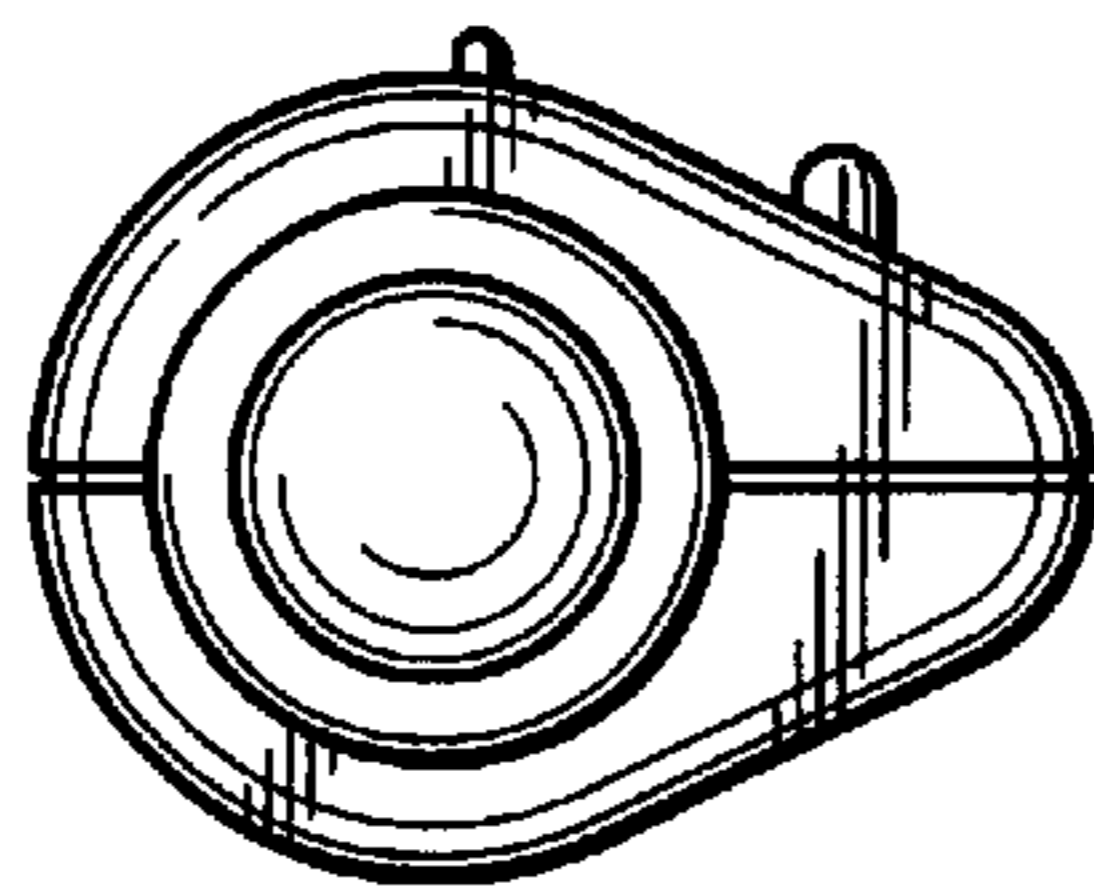
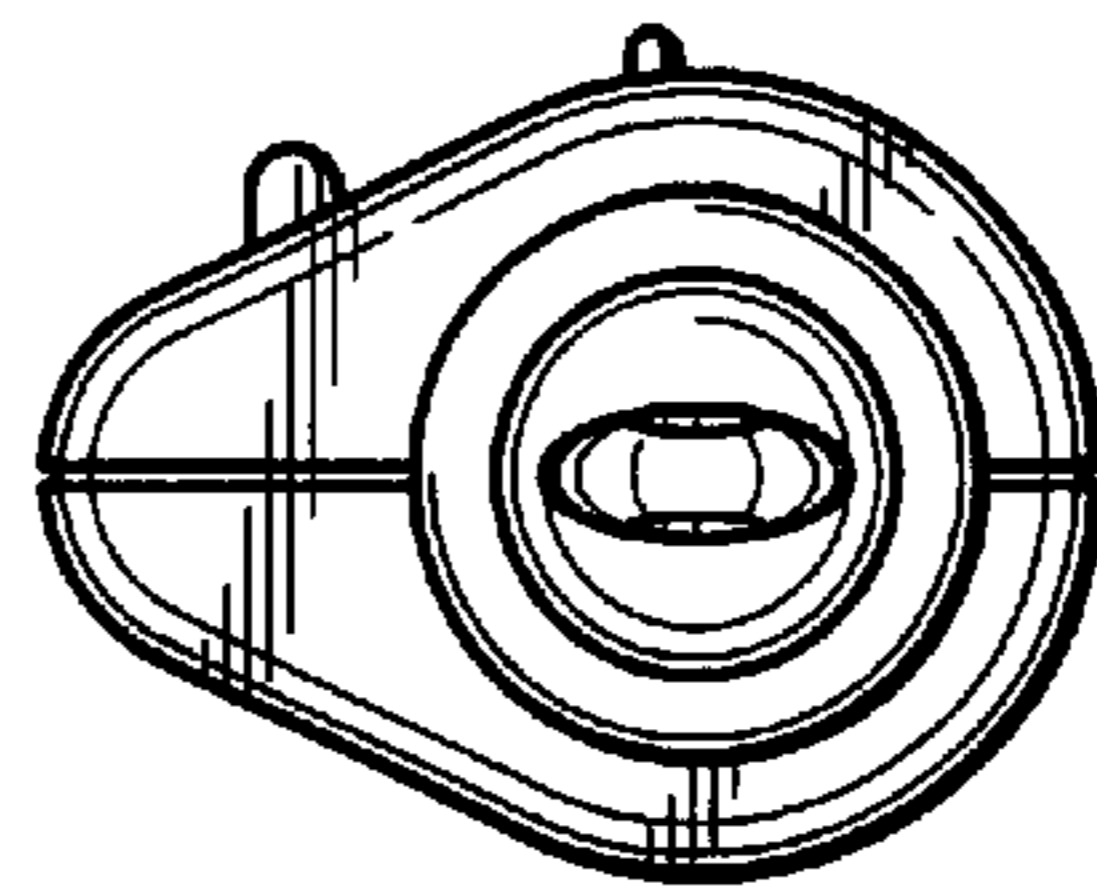


FIG. 8



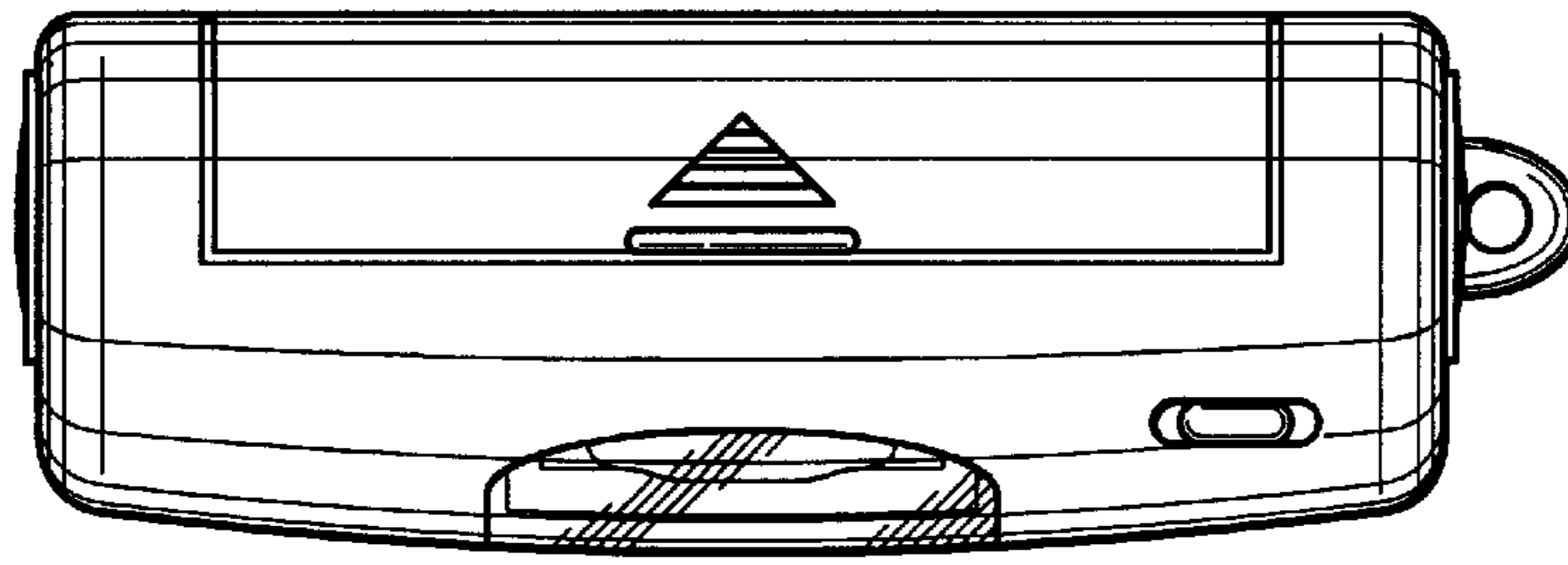


FIG. 4

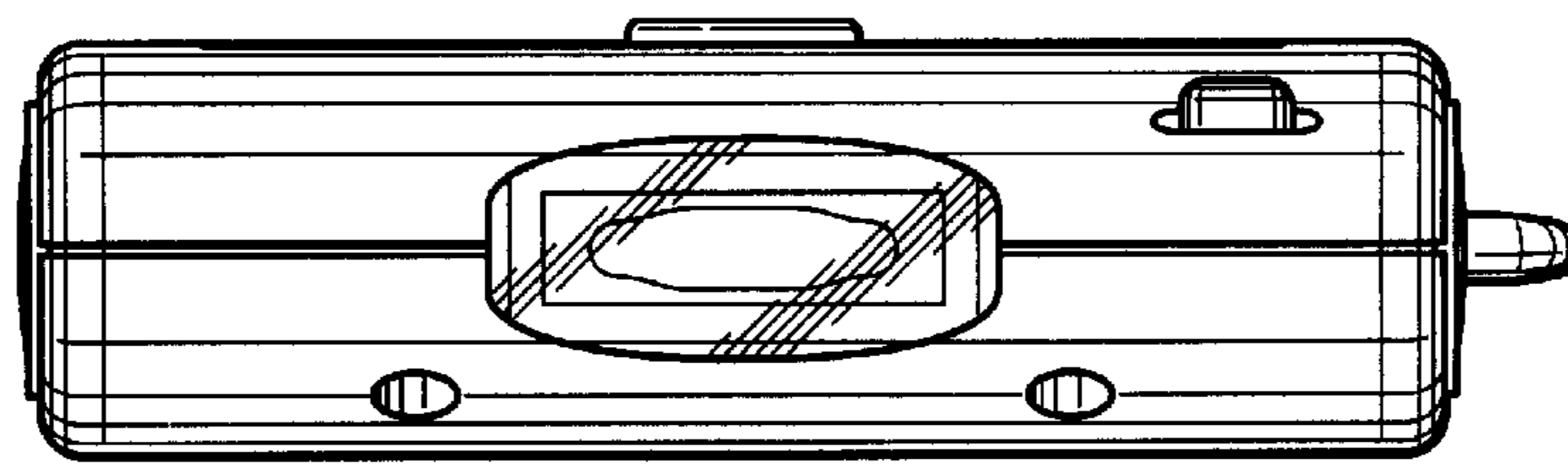


FIG. 3

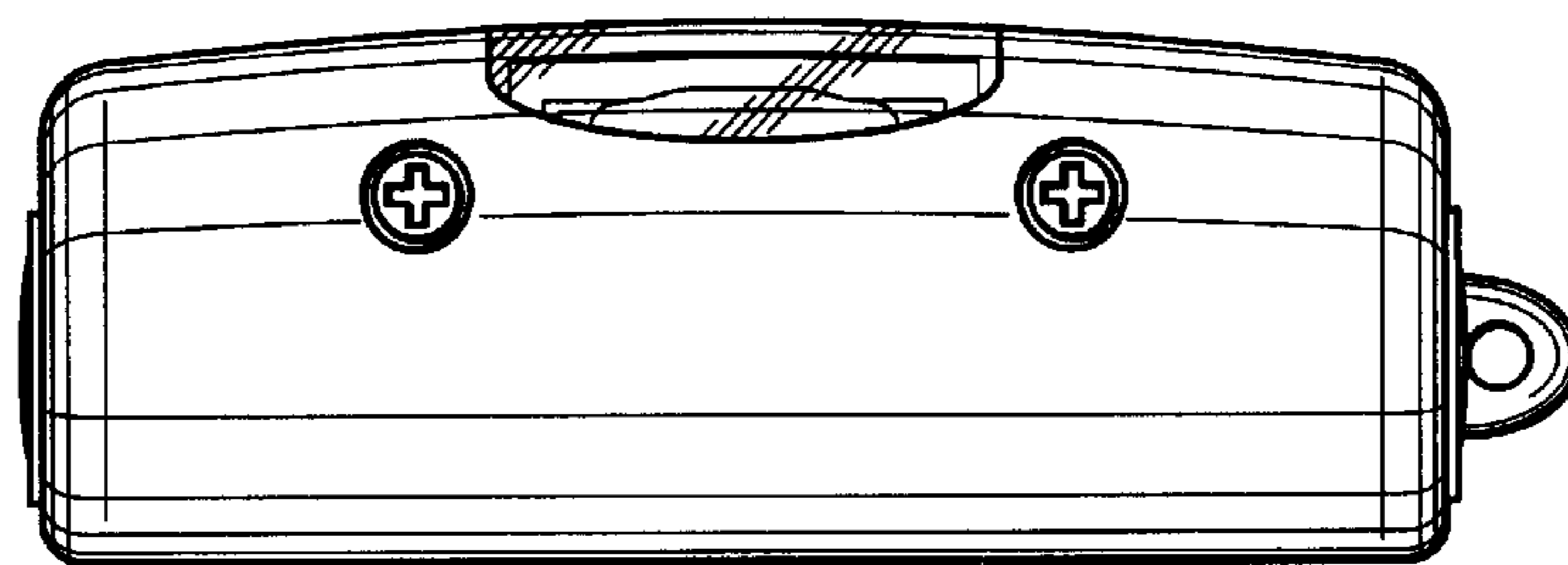


FIG. 5

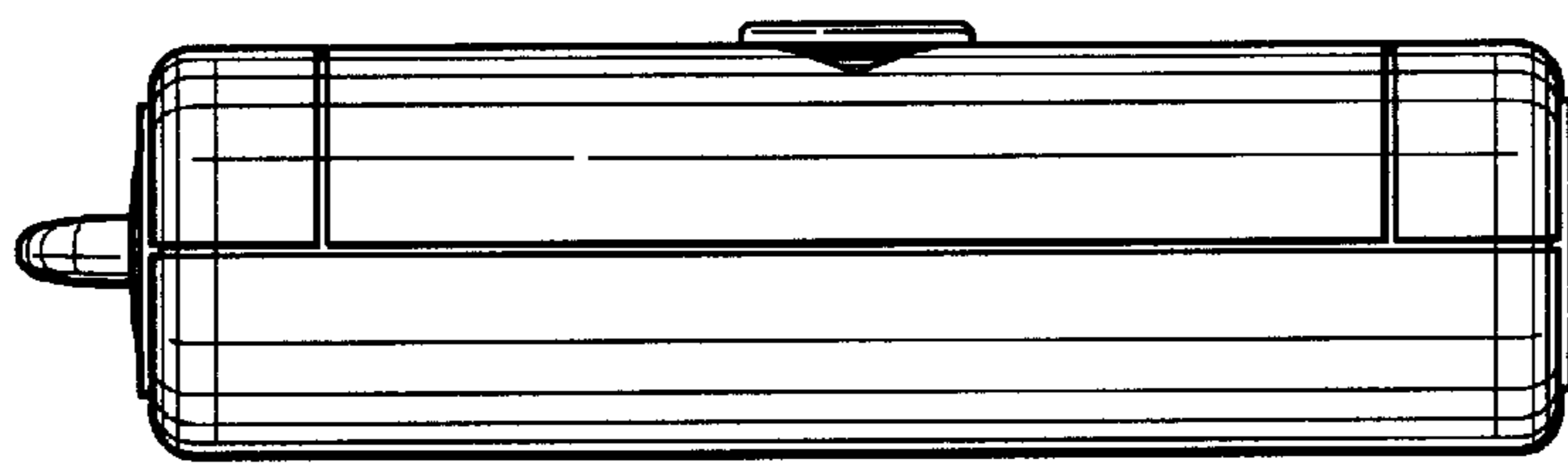


FIG. 6